

US00D876104S

(12) **United States Design Patent**
Kim et al.

(10) **Patent No.:** **US D876,104 S**
(45) **Date of Patent:** **** Feb. 25, 2020**

(54) **TIP FOR HOLDING AN
ADJUSTABLE-ANGLED BRUSH**
(71) Applicant: **AA R&D LLC**, Leonia, NJ (US)
(72) Inventors: **Asher T. Kim**, Leonia, NJ (US); **Aiden
T. Kim**, Leonia, NJ (US)
(73) Assignee: **AA R&D LLC**, Leonia, NJ (US)
(**) Term: **15 Years**

D440,090 S * 4/2001 Lillelund A47K 1/09
D6/534
D468,945 S * 1/2003 Dretzka D6/534
D545,062 S * 6/2007 Nagoya D4/113
7,815,594 B2 * 10/2010 Dougherty, Jr. A61F 13/26
604/17
D626,650 S * 11/2010 Edgett D24/141
D665,499 S * 8/2012 Avigdor D24/141
D741,479 S * 10/2015 Agrawal D24/141
D756,123 S * 5/2016 Nguyen D4/108
D756,124 S * 5/2016 Nguyen D4/108
D852,360 S * 6/2019 Lund D24/141
10,398,215 B2 * 9/2019 Kim A45D 40/26

(21) Appl. No.: **29/672,829**
(22) Filed: **Dec. 10, 2018**
(51) **LOC (12) Cl.** **04-99**
(52) **U.S. Cl.**
USPC **D4/199**
(58) **Field of Classification Search**
USPC D4/100-102, 104-112, 199; D8/80, 82,
D8/83, 303; 15/143.1, 145, 159.1, 160,
15/167.1, 167.2; 132/308-311; 601/139,
601/141, 142; 81/57.11, 57.14, 57.31,
81/57.42; D24/133, 152, 215; D21/567,
D21/568; D3/205
CPC A46B 15/0055; A46B 15/0075; A46B
5/0095; A46B 5/00
See application file for complete search history.

* cited by examiner

Primary Examiner — Austin Murphy
(74) *Attorney, Agent, or Firm* — Westerman, Hattori,
Daniels & Adrian, LLP

(56) **References Cited**

U.S. PATENT DOCUMENTS

D279,941 S * 8/1985 Anglin, Jr. D4/104
D327,195 S * 6/1992 Murphy D6/534

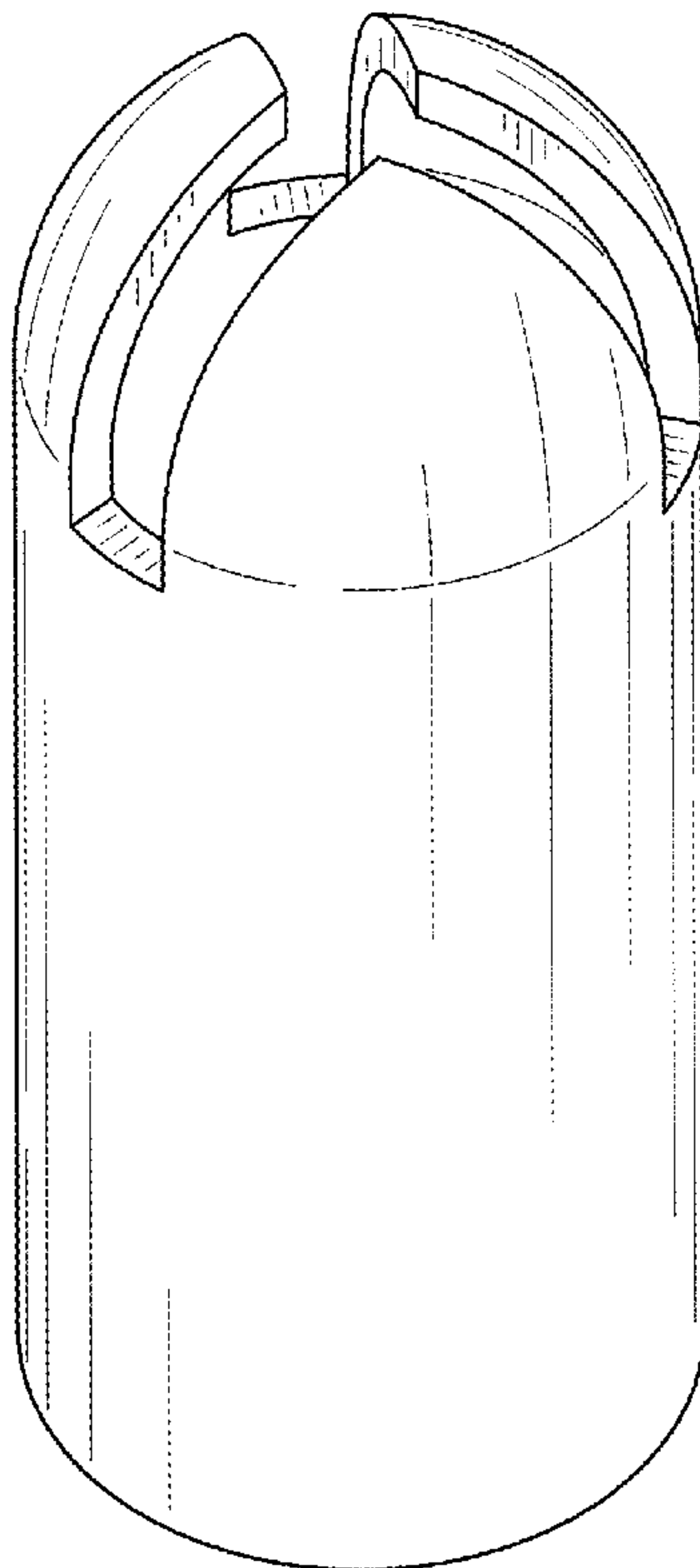
(57) **CLAIM**

The ornamental design for a tip for holding an adjustable-angled brush, as shown and described.

DESCRIPTION

FIG. 1 is a perspective view of a tip for holding an adjustable-angled brush, showing our new design.
FIG. 2 is a front view thereof.
FIG. 3 is a rear view thereof.
FIG. 4 is a right side view thereof.
FIG. 5 is a left side view thereof.
FIG. 6 is a top view thereof; and,
FIG. 7 is a bottom view thereof.

1 Claim, 3 Drawing Sheets



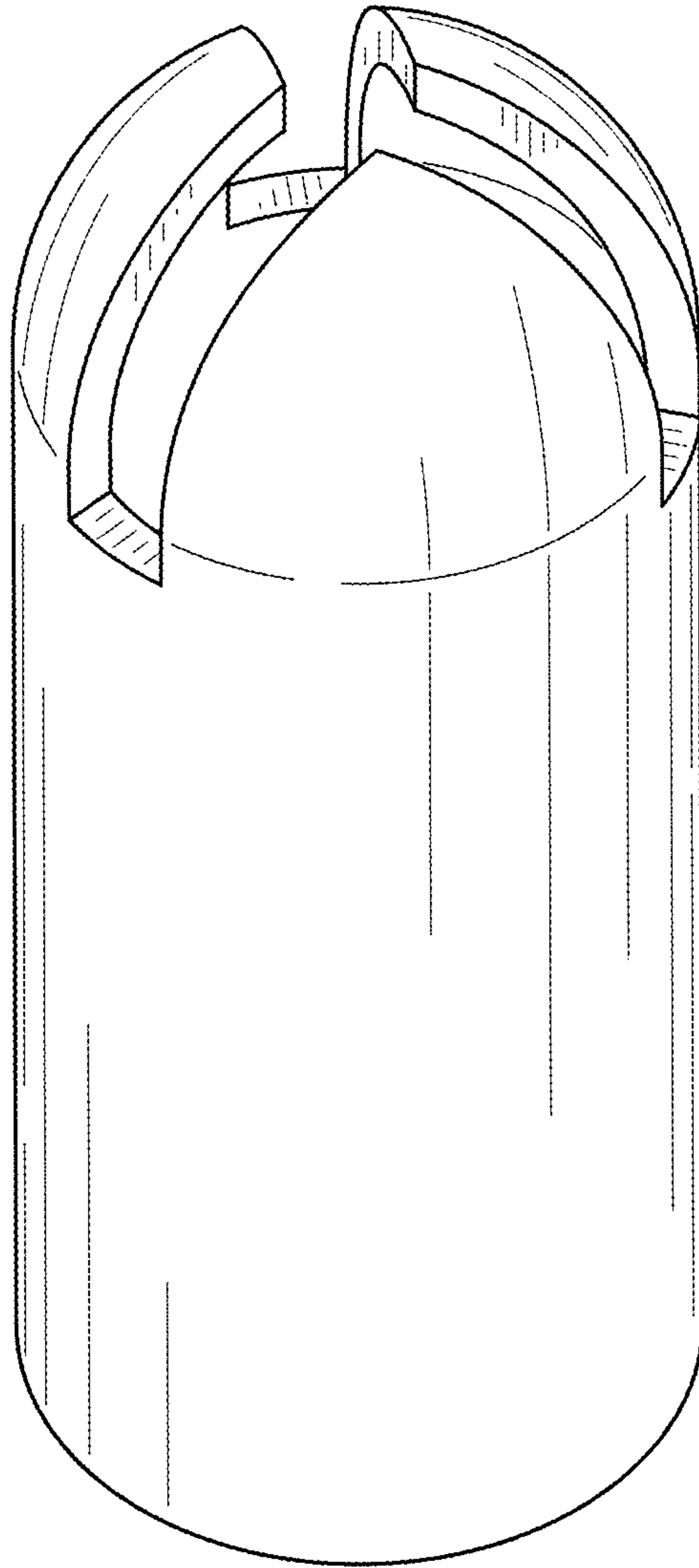


FIG. 1

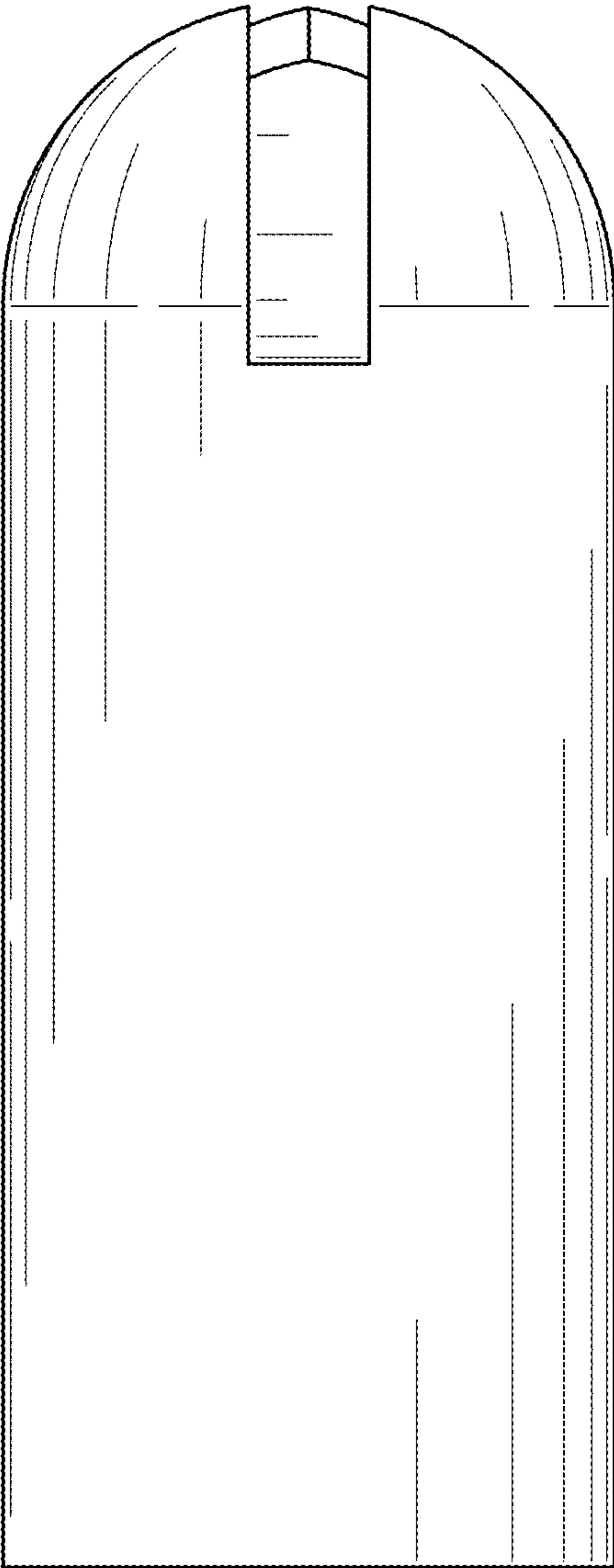


FIG. 2

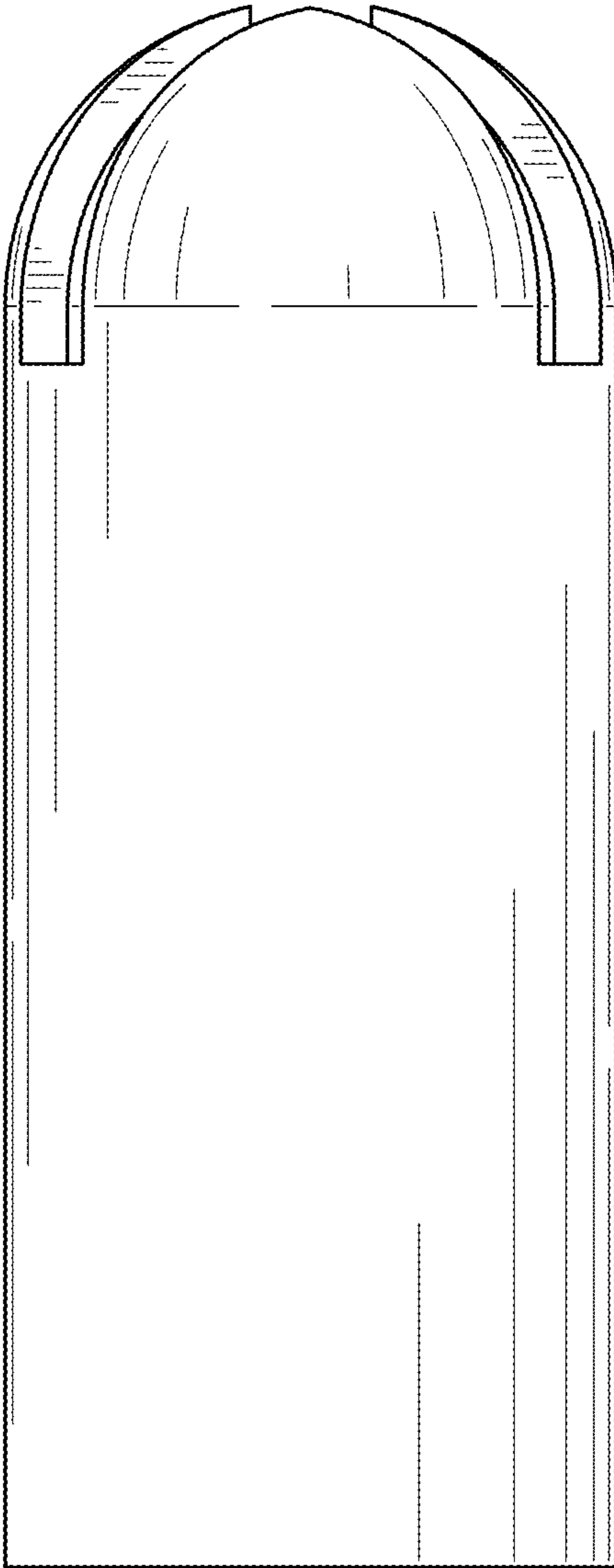


FIG. 3

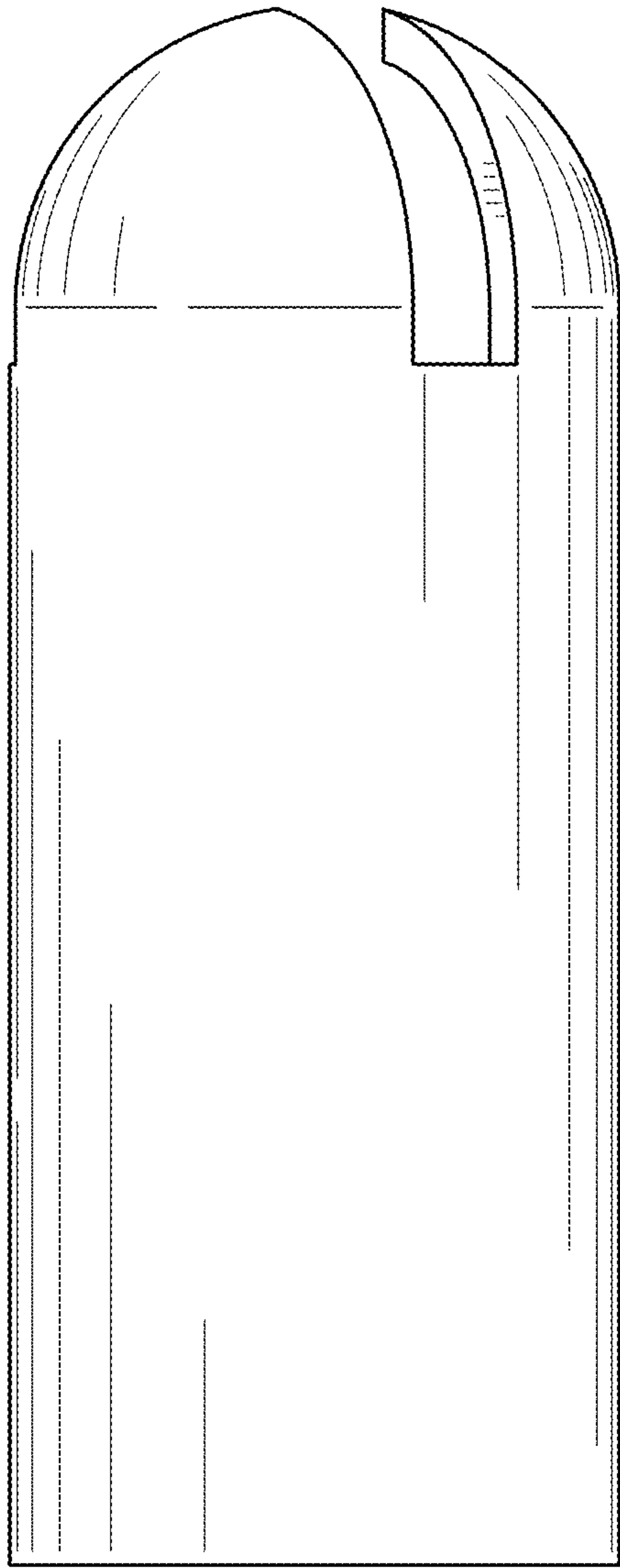


FIG. 4

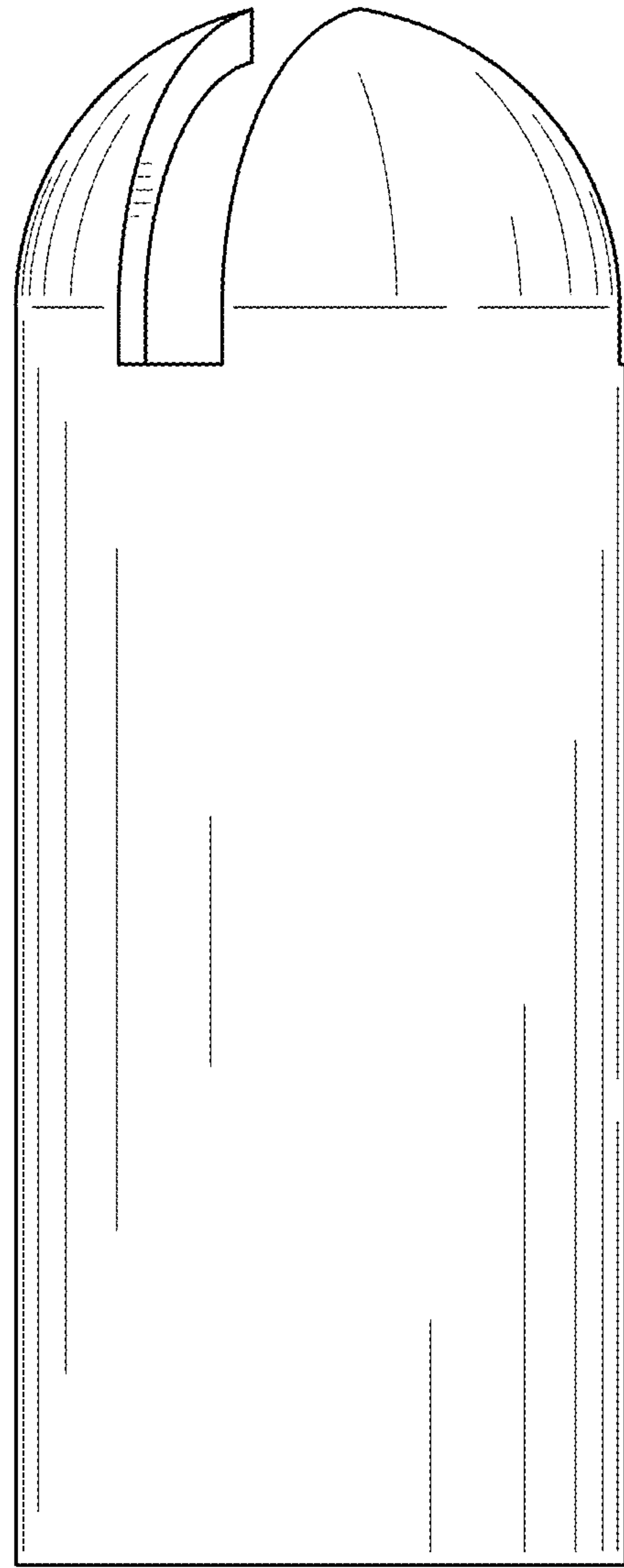


FIG. 5

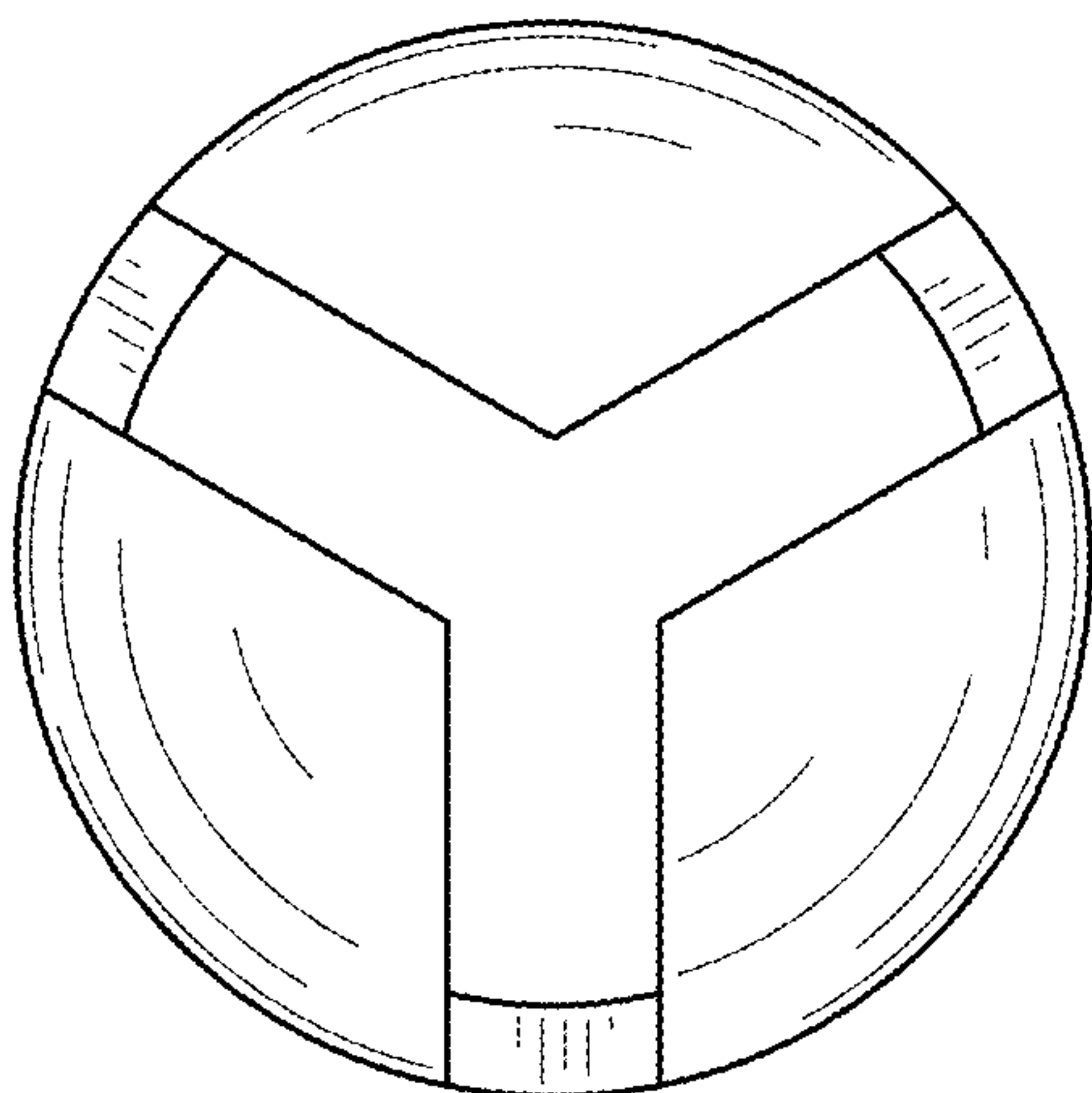


FIG. 6

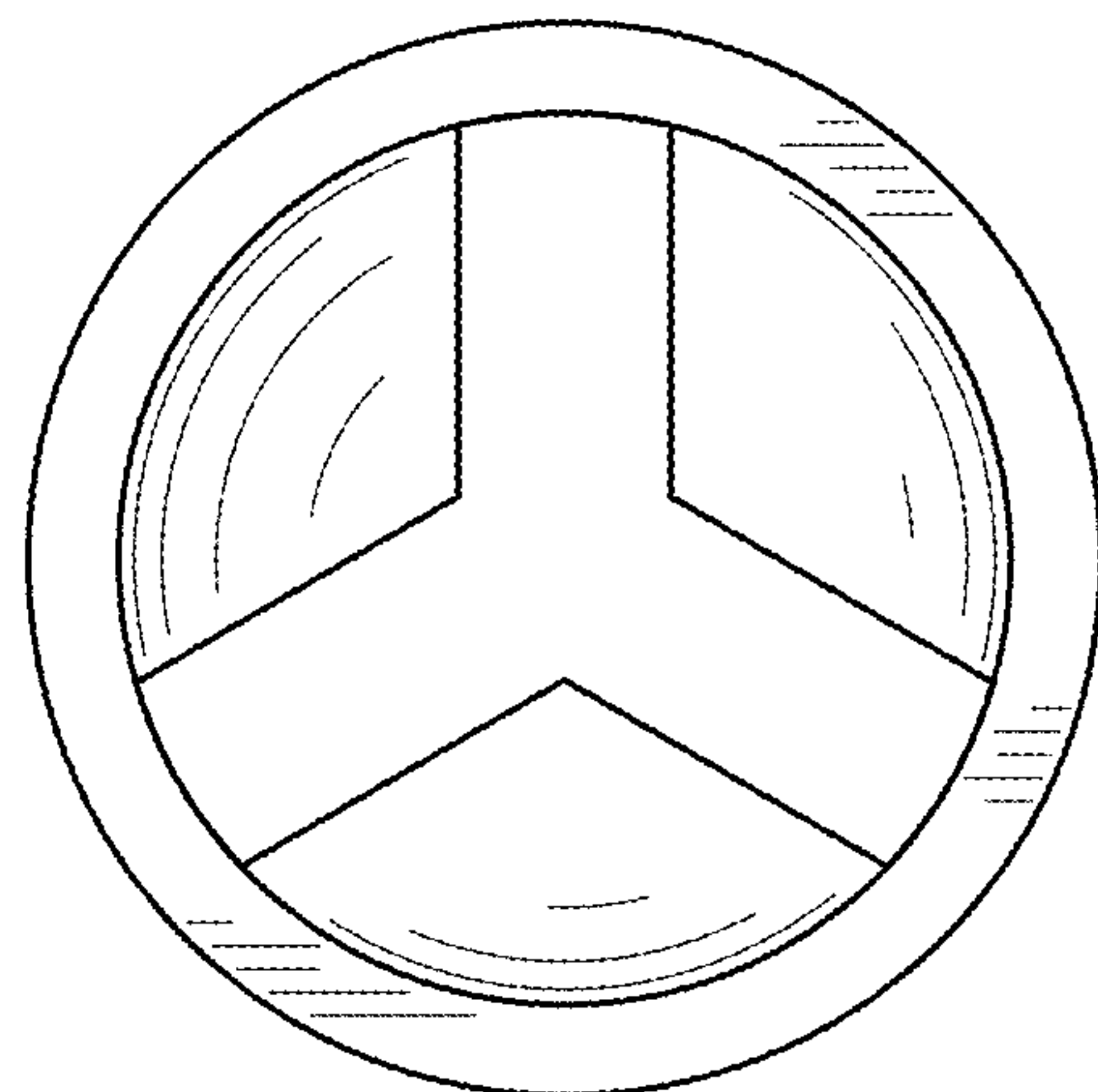


FIG. 7