



US00D876103S

(12) **United States Design Patent**
Kim et al.

(10) **Patent No.:** **US D876,103 S**

(45) **Date of Patent:** **** Feb. 25, 2020**

- (54) **TIP FOR HOLDING AN ADJUSTABLE-ANGLED BRUSH**
- (71) Applicant: **AA R&D LLC**, Leonia, NJ (US)
- (72) Inventors: **Asher T. Kim**, Leonia, NJ (US); **Aiden T. Kim**, Leonia, NJ (US)
- (73) Assignee: **AA R&D LLC**, Leonia, NJ (US)
- (**) Term: **15 Years**

D468,945 S *	1/2003	Dretzka	D6/534
D545,062 S *	6/2007	Nagoya	D4/113
7,815,594 B2 *	10/2010	Dougherty, Jr.	A61F 13/26 604/17
D626,650 S *	11/2010	Edgett	D24/141
D665,499 S *	8/2012	Avigdor	D24/141
D741,479 S *	10/2015	Agrawal	D24/141
D756,123 S *	5/2016	Nguyen	D4/108
D756,124 S *	5/2016	Nguyen	D4/108
10,086,979 B2 *	10/2018	Sherman	B65D 35/22
D852,360 S *	6/2019	Lund	D24/141
10,398,215 B2 *	9/2019	Kim	A45D 40/26
2015/0273516 A1 *	10/2015	Starr	A23G 3/28 222/1

(21) Appl. No.: **29/672,826**

(22) Filed: **Dec. 10, 2018**

(51) **LOC (12) Cl.** **04-99**

(52) **U.S. Cl.**
USPC **D4/199**

(58) **Field of Classification Search**
 USPC D4/100–102, 104–112, 199; D8/80, 82, D8/83, 303; 15/143.1, 145, 159.1, 160, 15/167.1, 167.2; 132/308–311; 601/139, 601/141, 142; 81/57.11, 57.14, 57.31, 81/57.42; D24/133, 152, 215; D21/567, D21/568; D3/205
 CPC A46B 15/0055; A46B 15/0075; A46B 5/0095; A46B 5/00
 See application file for complete search history.

(56) **References Cited**

U.S. PATENT DOCUMENTS

D279,941 S *	8/1985	Anglin, Jr.	D4/104
D327,195 S *	6/1992	Murphy	D6/534
D440,090 S *	4/2001	Lillelund	A47K 1/09 D6/534

* cited by examiner

Primary Examiner — Austin Murphy

(74) *Attorney, Agent, or Firm* — Westerman, Hattori, Daniels & Adrian, LLP

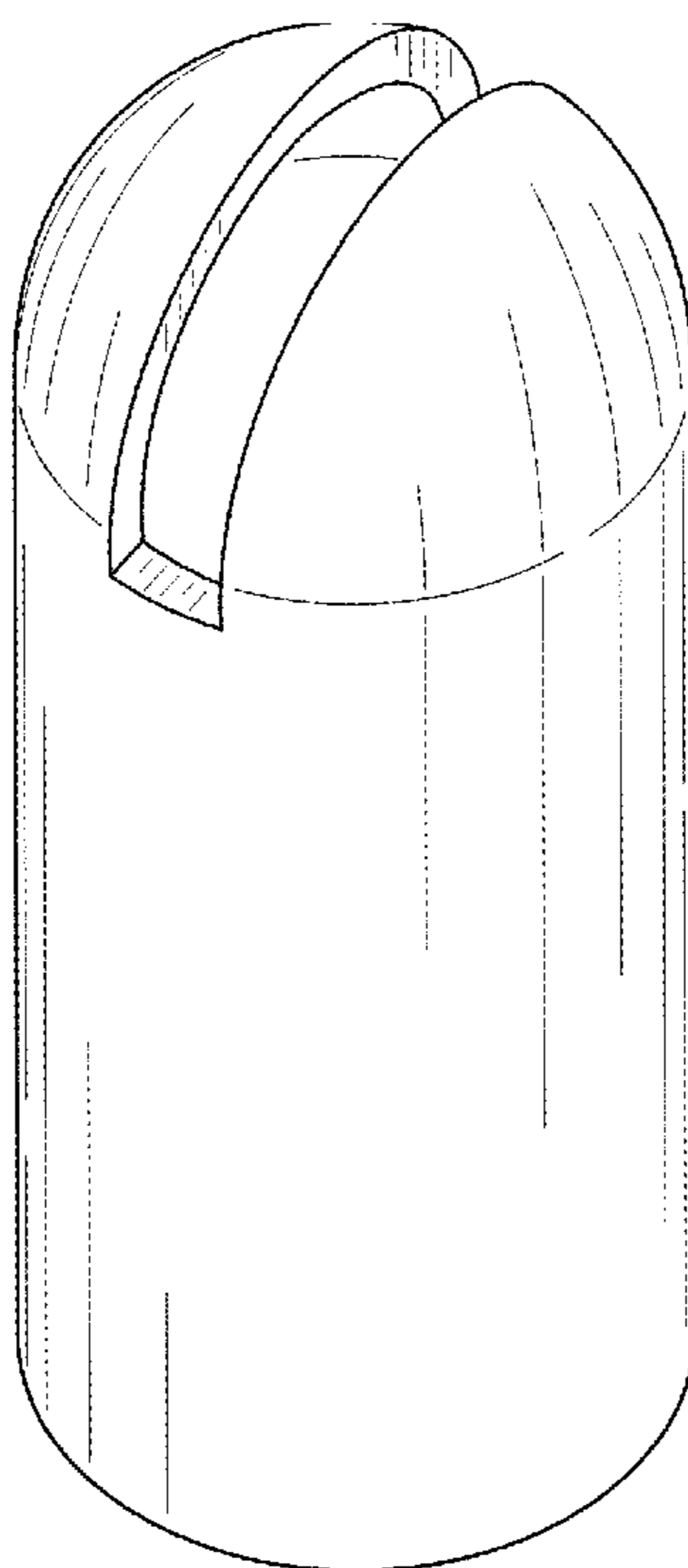
(57) **CLAIM**

The ornamental design for a tip for holding an adjustable-angled brush, as shown and described.

DESCRIPTION

FIG. 1 is a perspective view of a tip for holding an adjustable-angled brush, showing our new design.
 FIG. 2 is a front view thereof.
 FIG. 3 is a rear view thereof.
 FIG. 4 is a right side view thereof.
 FIG. 5 is a left side view thereof.
 FIG. 6 is a top view thereof; and,
 FIG. 7 is a bottom view thereof.

1 Claim, 3 Drawing Sheets



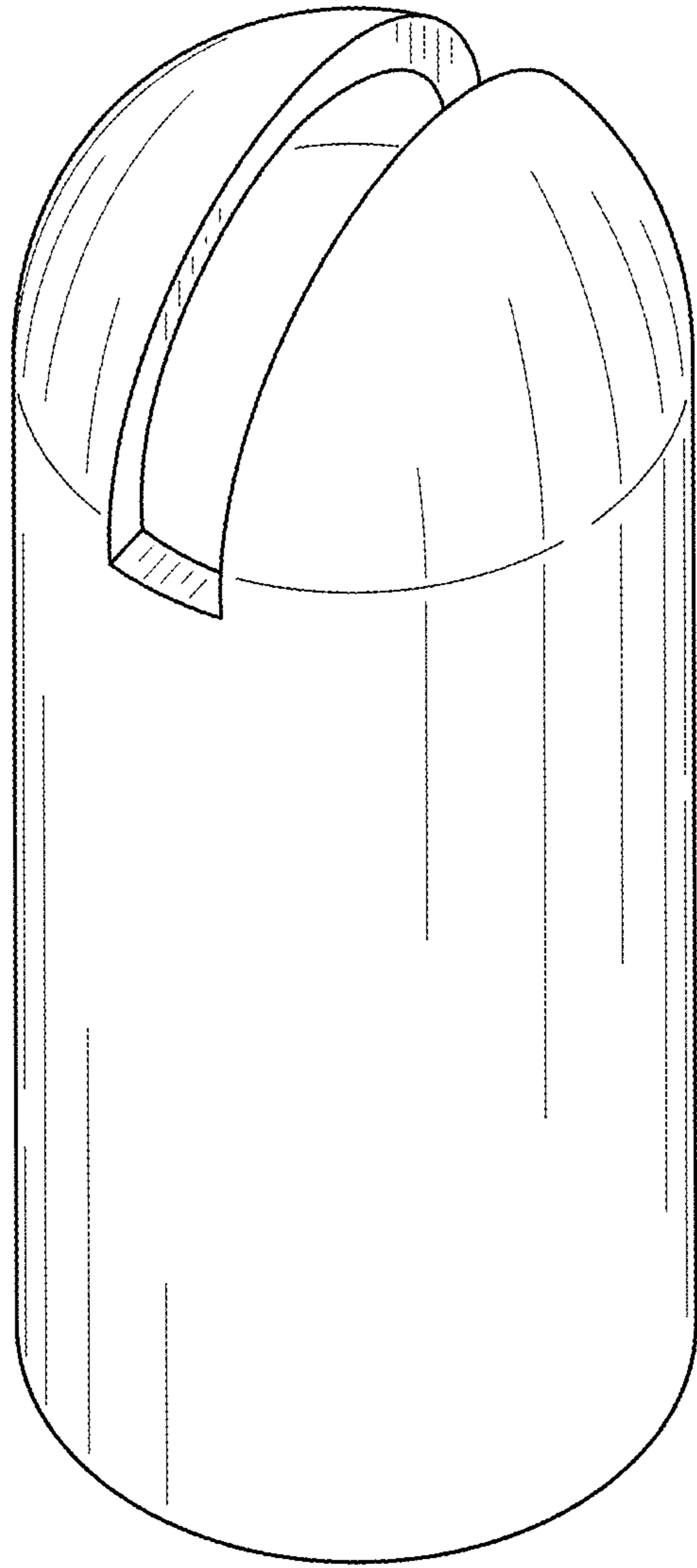


FIG. 1

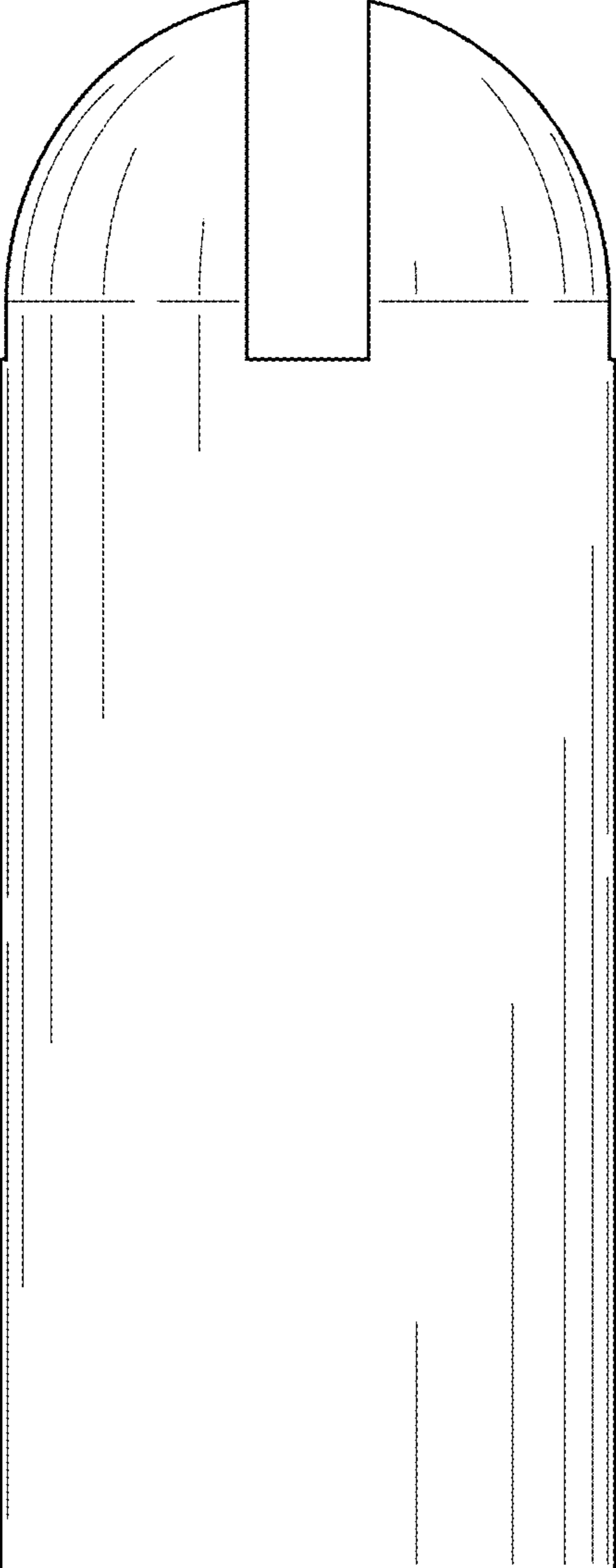


FIG. 2

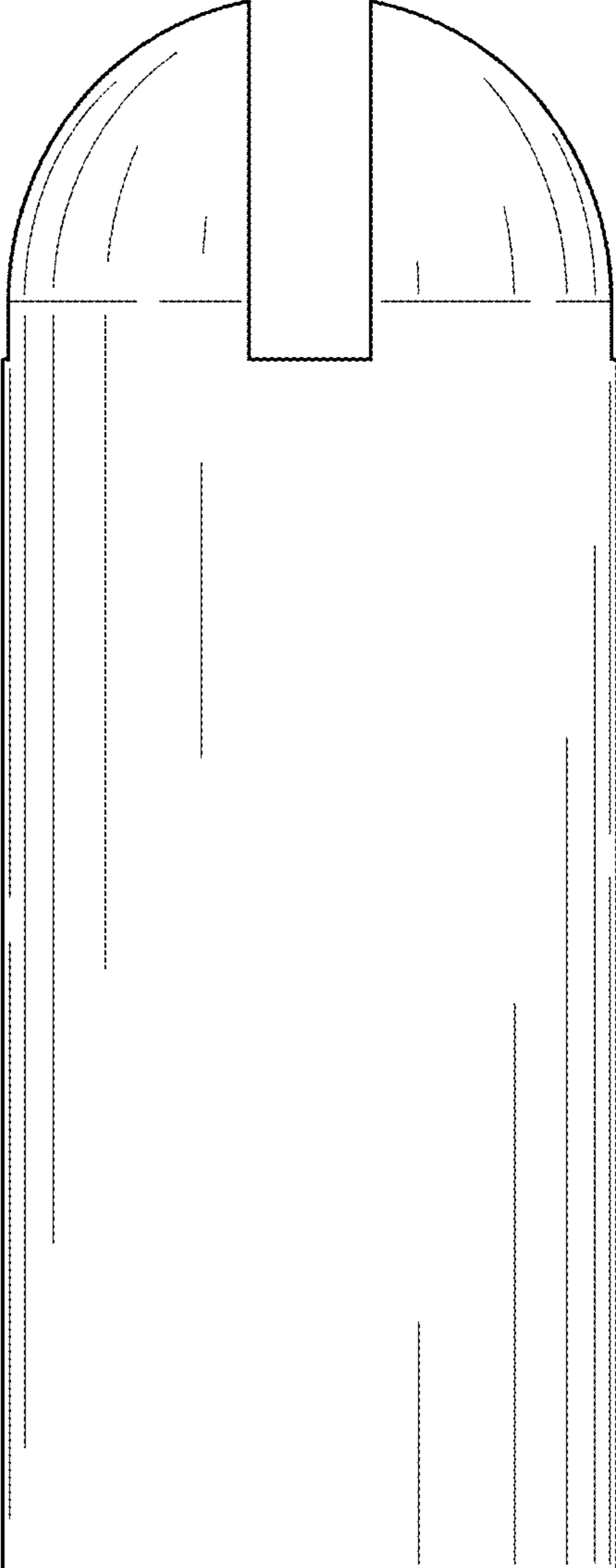


FIG. 3

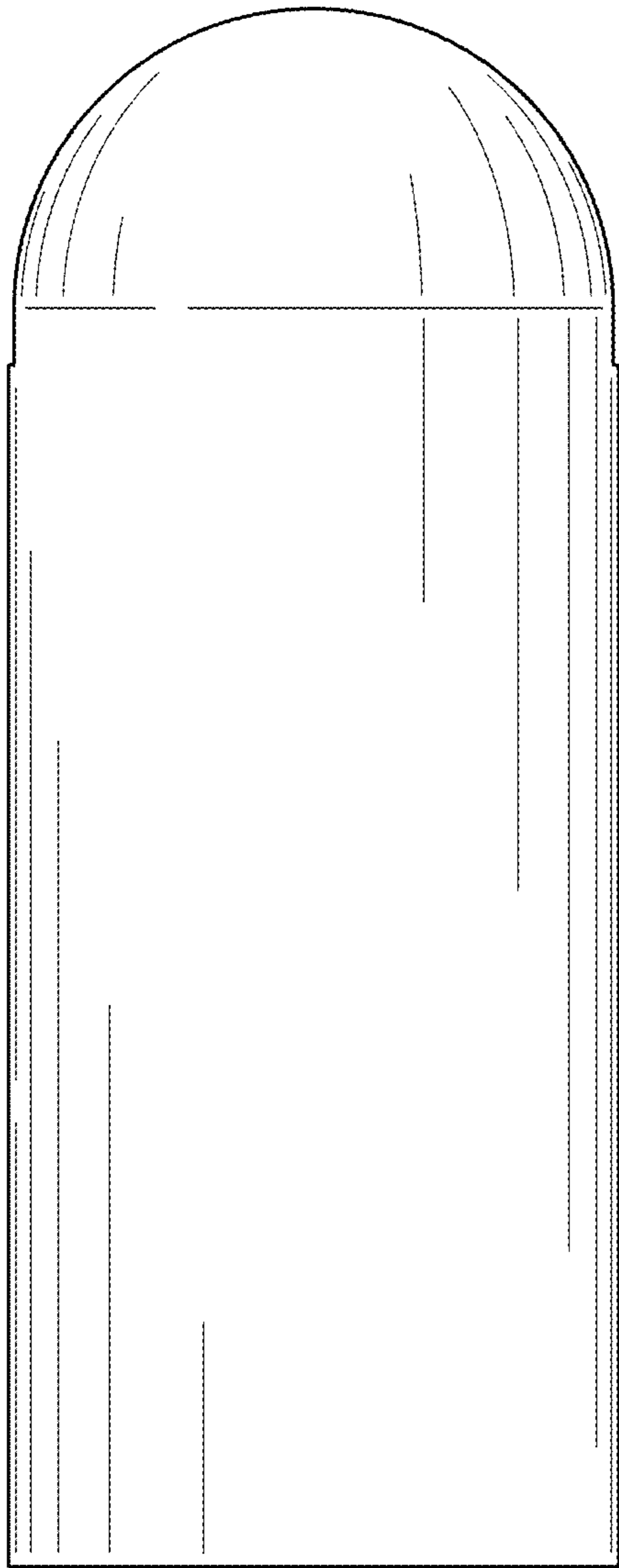


FIG. 4

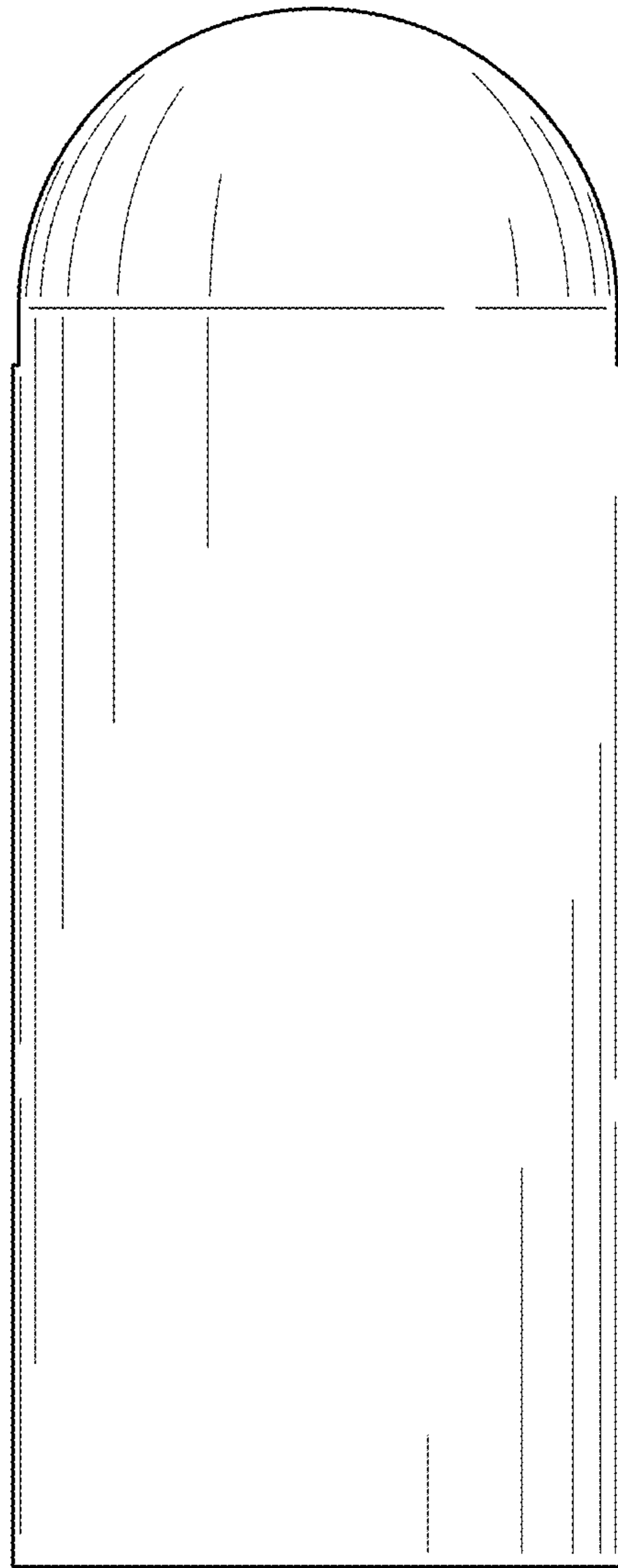


FIG. 5

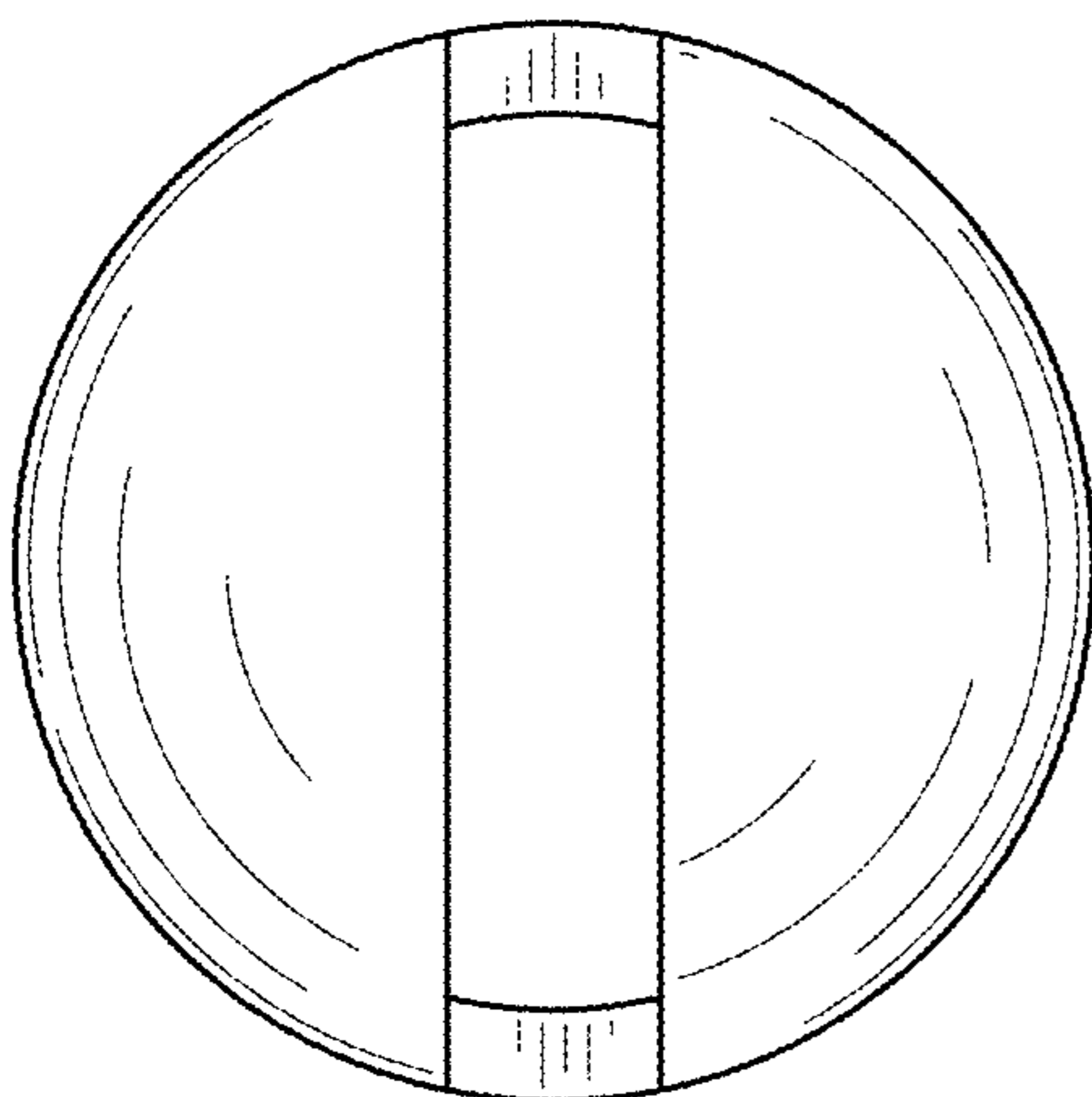


FIG. 6

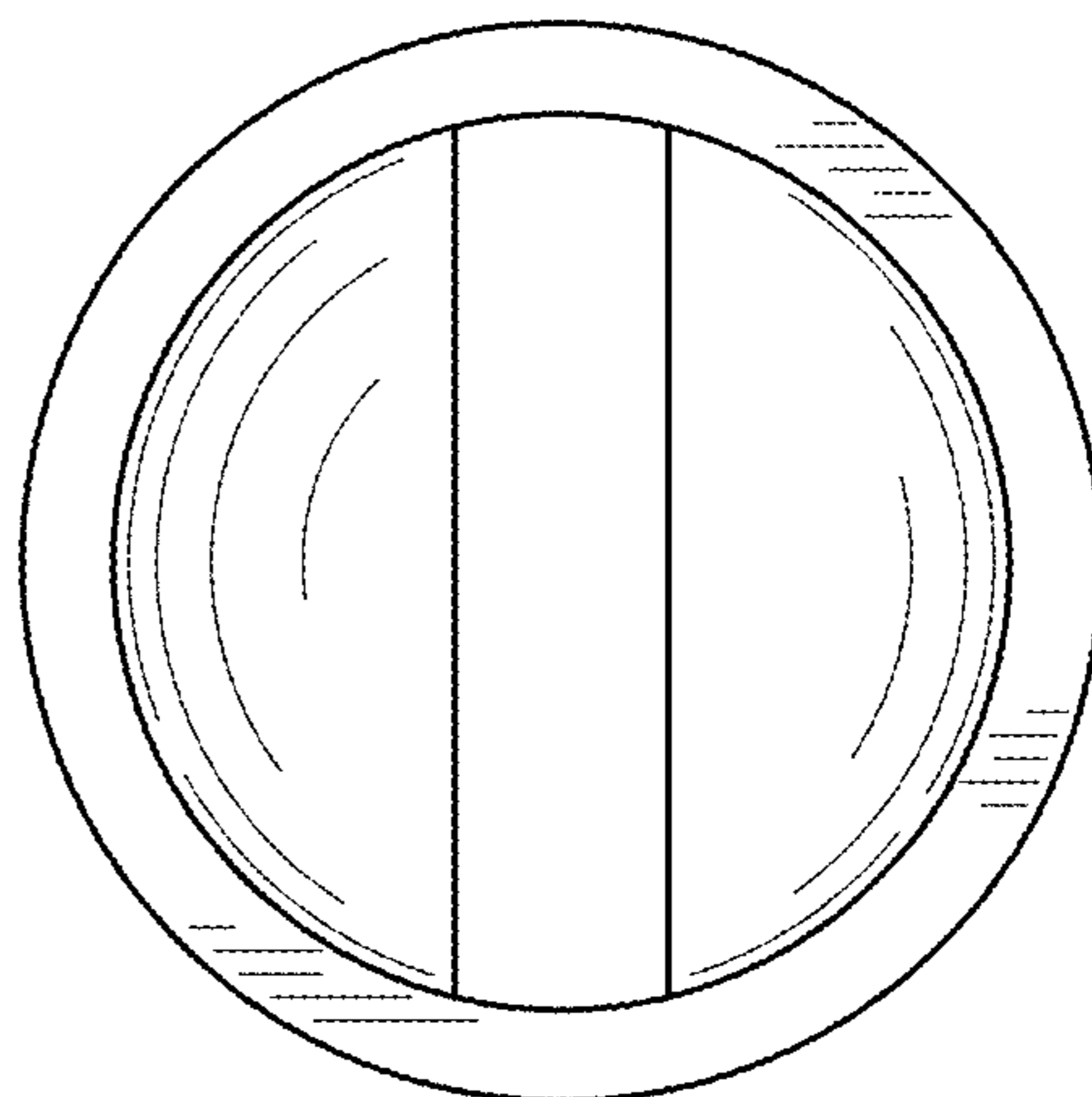


FIG. 7