



US00D876100S

(12) **United States Design Patent** (10) **Patent No.:** **US D876,100 S**
Sun (45) **Date of Patent:** **** Feb. 25, 2020**

(54) **SUN FLOWER BRUSH**
(71) Applicant: **NINGBO BELAIR TRADING CO., LTD., Zhejiang (CN)**
(72) Inventor: **Haili Sun, Zhejiang (CN)**
(73) Assignee: **NINGBO BELAIR TRADING CO., LTD., Zhejiang (CN)**
(**) Term: **15 Years**
(21) Appl. No.: **29/659,814**
(22) Filed: **Aug. 13, 2018**
(51) **LOC (12) Cl.** **04-01**
(52) **U.S. Cl.**
USPC **D4/124**
(58) **Field of Classification Search**
USPC D4/124, 116, 100, 134, 138, 120, 127;
D32/25; D30/159; D28/7, 63; D6/534;
D1/106
CPC A47L 17/04; A46B 5/002
See application file for complete search history.

D699,903 S * 2/2014 Singer D30/159
D705,543 S * 5/2014 Treeby D4/116
D728,943 S * 5/2015 Carpentier D4/102
D774,776 S * 12/2016 Mahiques D4/116
D784,026 S * 4/2017 Shen D4/128
D789,026 S * 6/2017 Graham D1/106
D822,405 S * 7/2018 Bernard D6/534
D831,967 S * 10/2018 Hofer D4/124
D839,604 S * 2/2019 Jianyang D4/124
D843,735 S * 3/2019 Jinadu D4/138
D844,334 S * 4/2019 Lee D4/134
D845,631 S * 4/2019 Sedic D4/100
10,285,567 B2 * 5/2019 Krause A47L 17/04
D853,127 S * 7/2019 Kling D4/127
2003/0019063 A1 * 1/2003 Abraham A46B 5/002
15/167.1

* cited by examiner

Primary Examiner — Rhea Shields

(74) *Attorney, Agent, or Firm* — Muncy, Geissler, Olds & Lowe, P.C.

(57) **CLAIM**

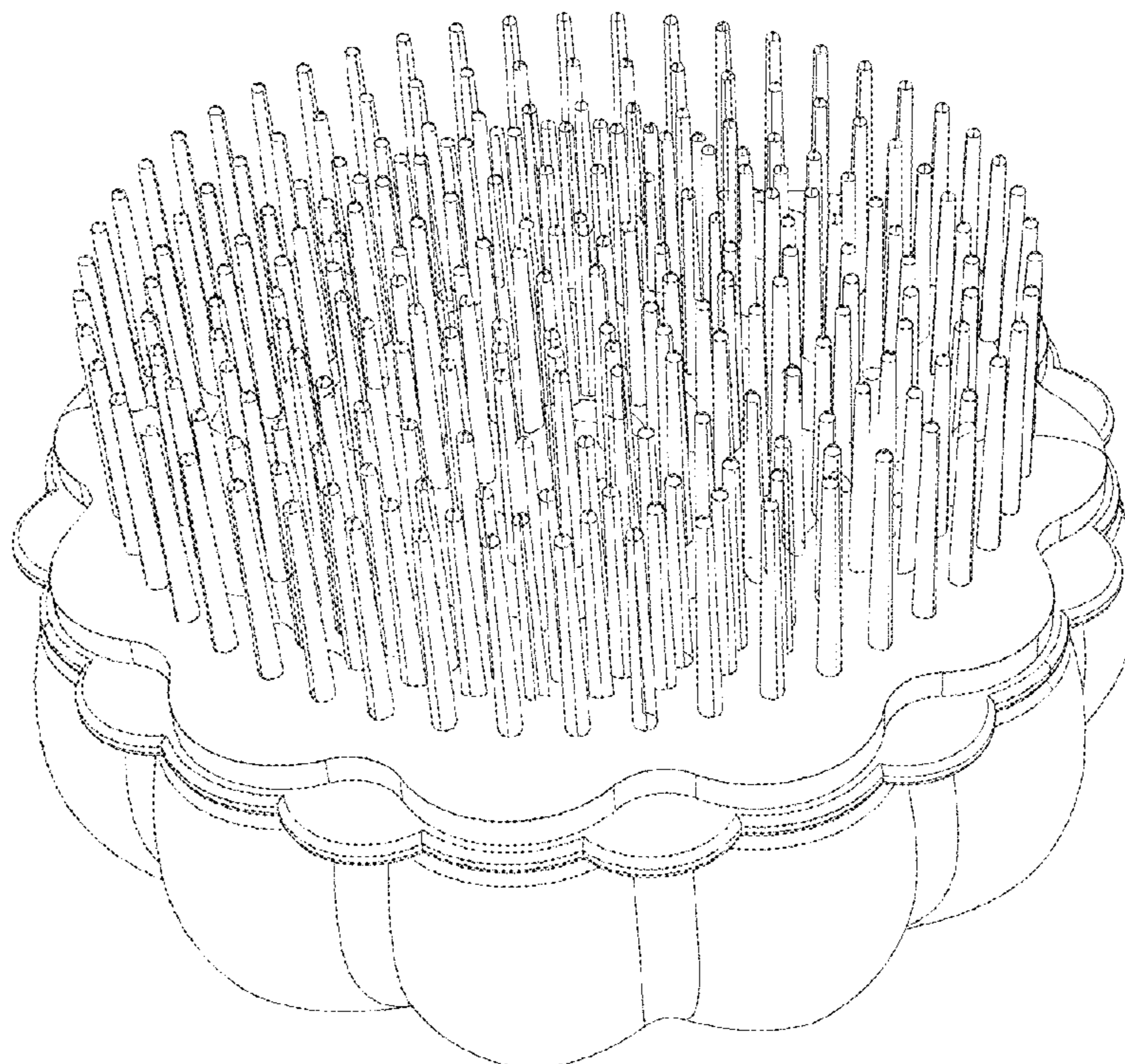
The ornamental design for a sun flower brush, as shown and described.

DESCRIPTION

FIG. 1 is a Front elevational of a sun flower brush showing my new design;
FIG. 2 is a Rear elevational view thereof;
FIG. 3 is a Top plan view thereof;
FIG. 4 is a Bottom plan view thereof;
FIG. 5 is a Perspective view thereof; and,
FIG. 6 is another Perspective view (bottom side) thereof.

1 Claim, 6 Drawing Sheets

(56) **References Cited**
U.S. PATENT DOCUMENTS
D424,747 S * 5/2000 Chen D28/63
D437,972 S * 2/2001 Harty D28/7
D469,935 S * 2/2003 Morgan D32/25
D476,816 S * 7/2003 Angeletta D28/7
D513,443 S * 1/2006 Ng D28/63
D657,570 S * 4/2012 Mahiques D4/124
D666,835 S * 9/2012 Grainger D4/120



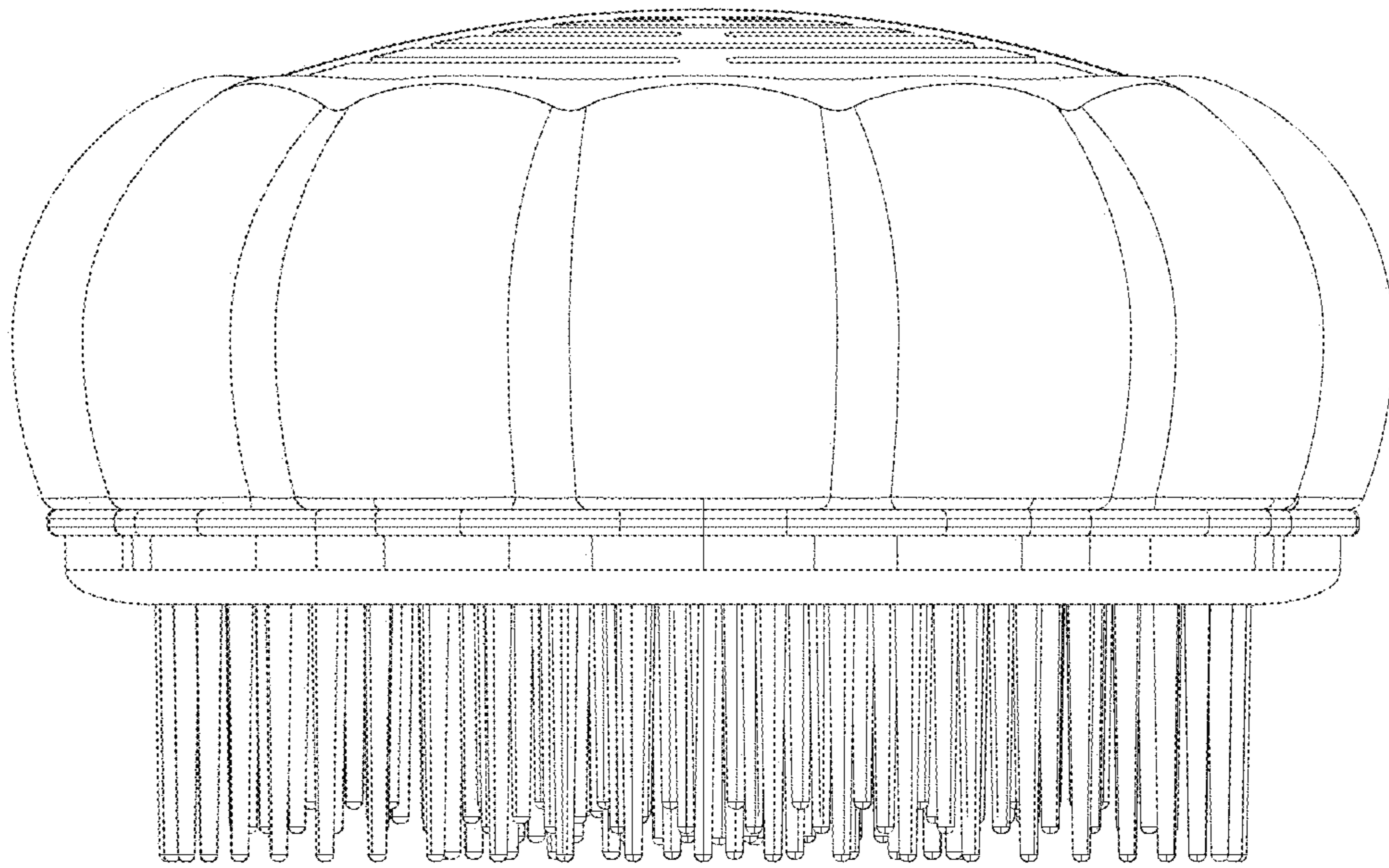


Fig. 1

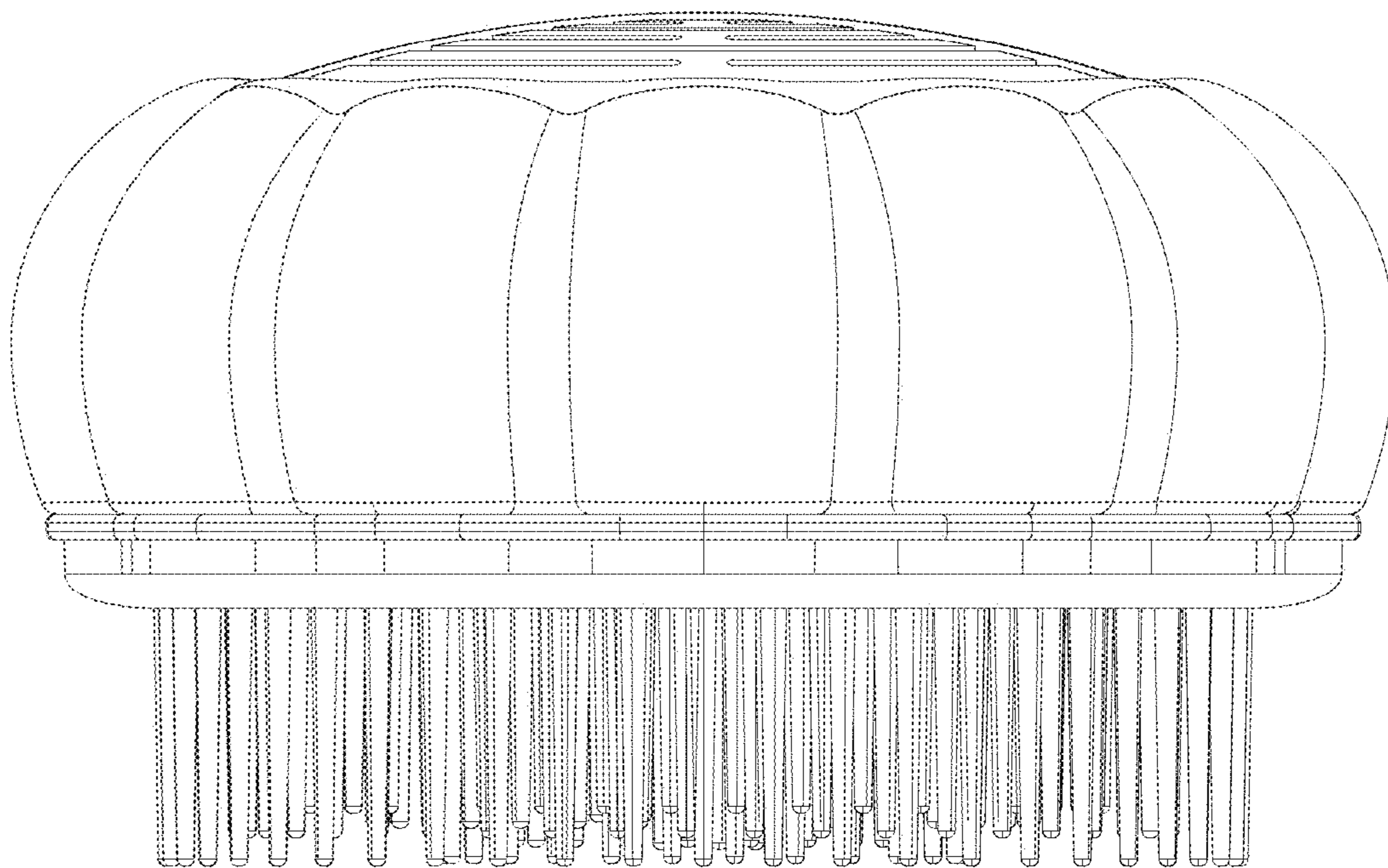


Fig. 2

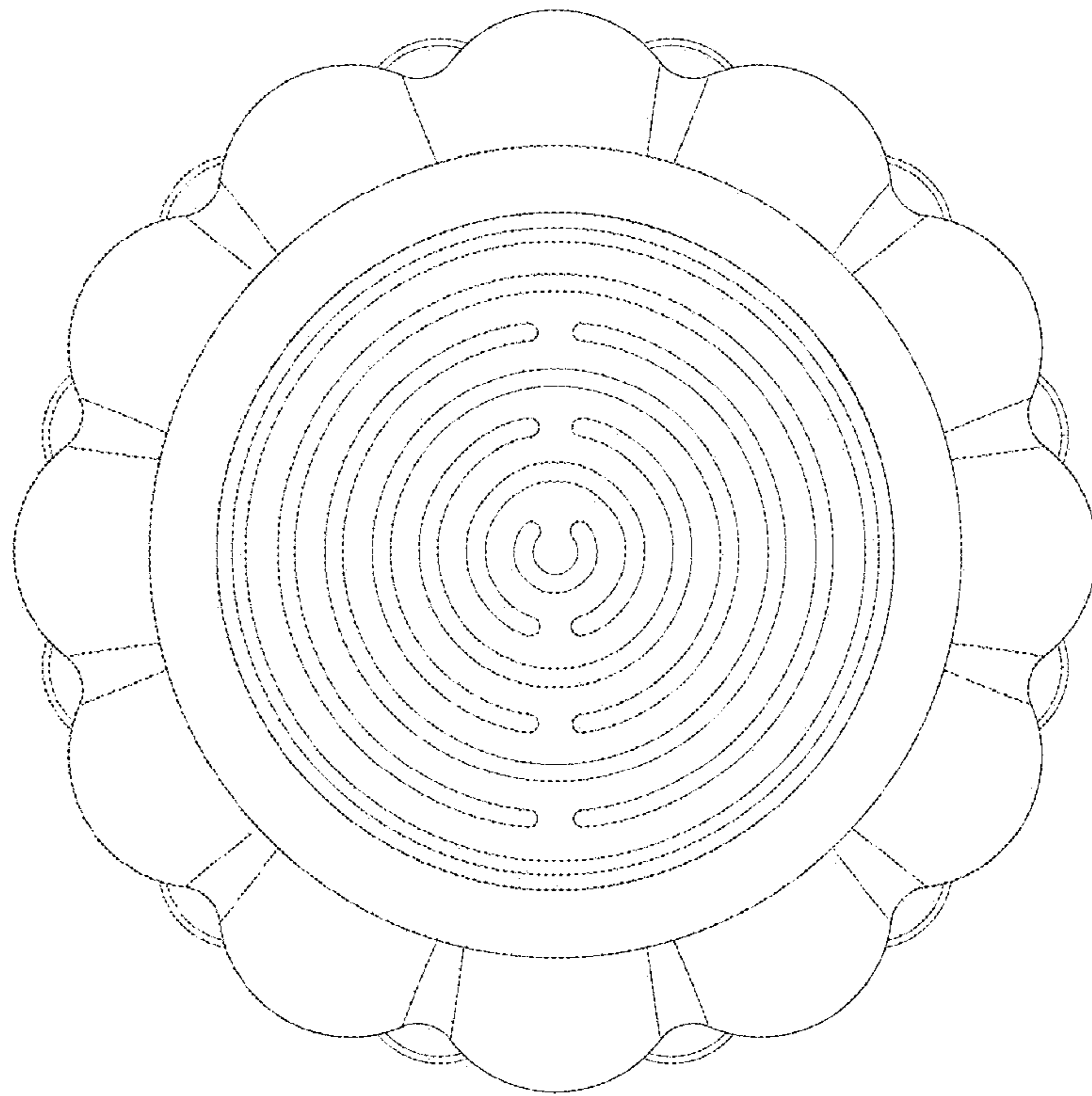


Fig. 3

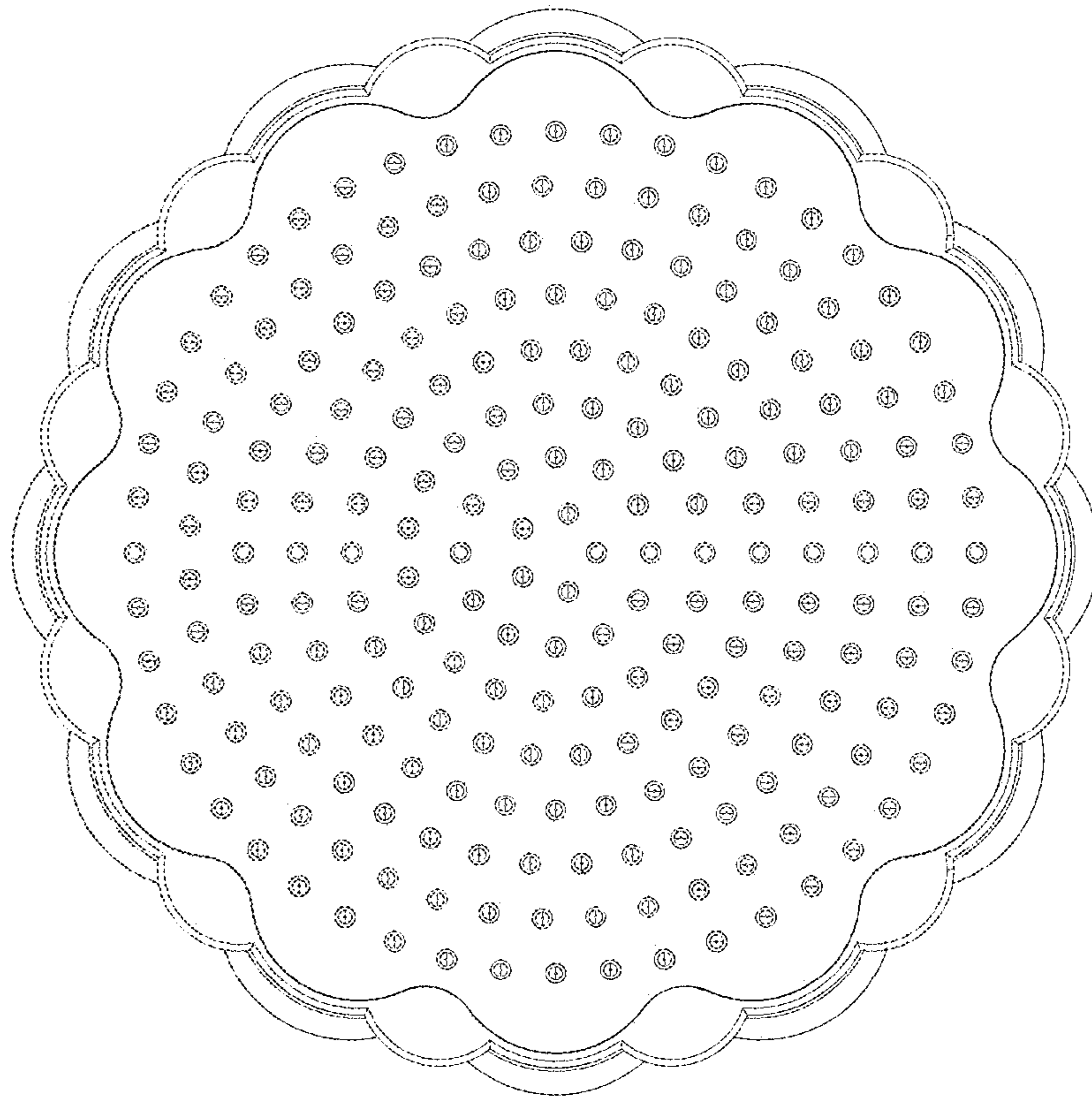


Fig. 4

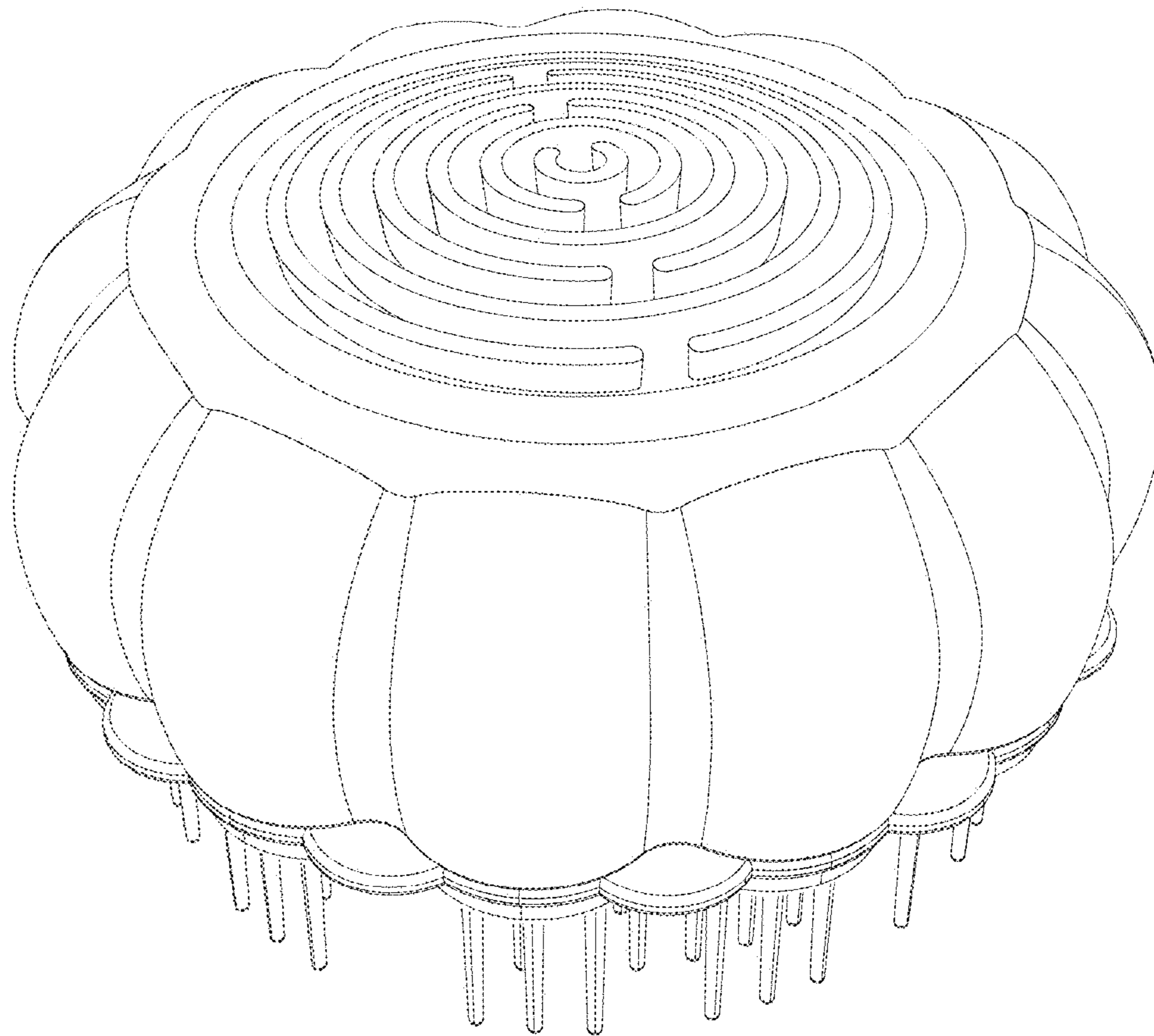


Fig. 5

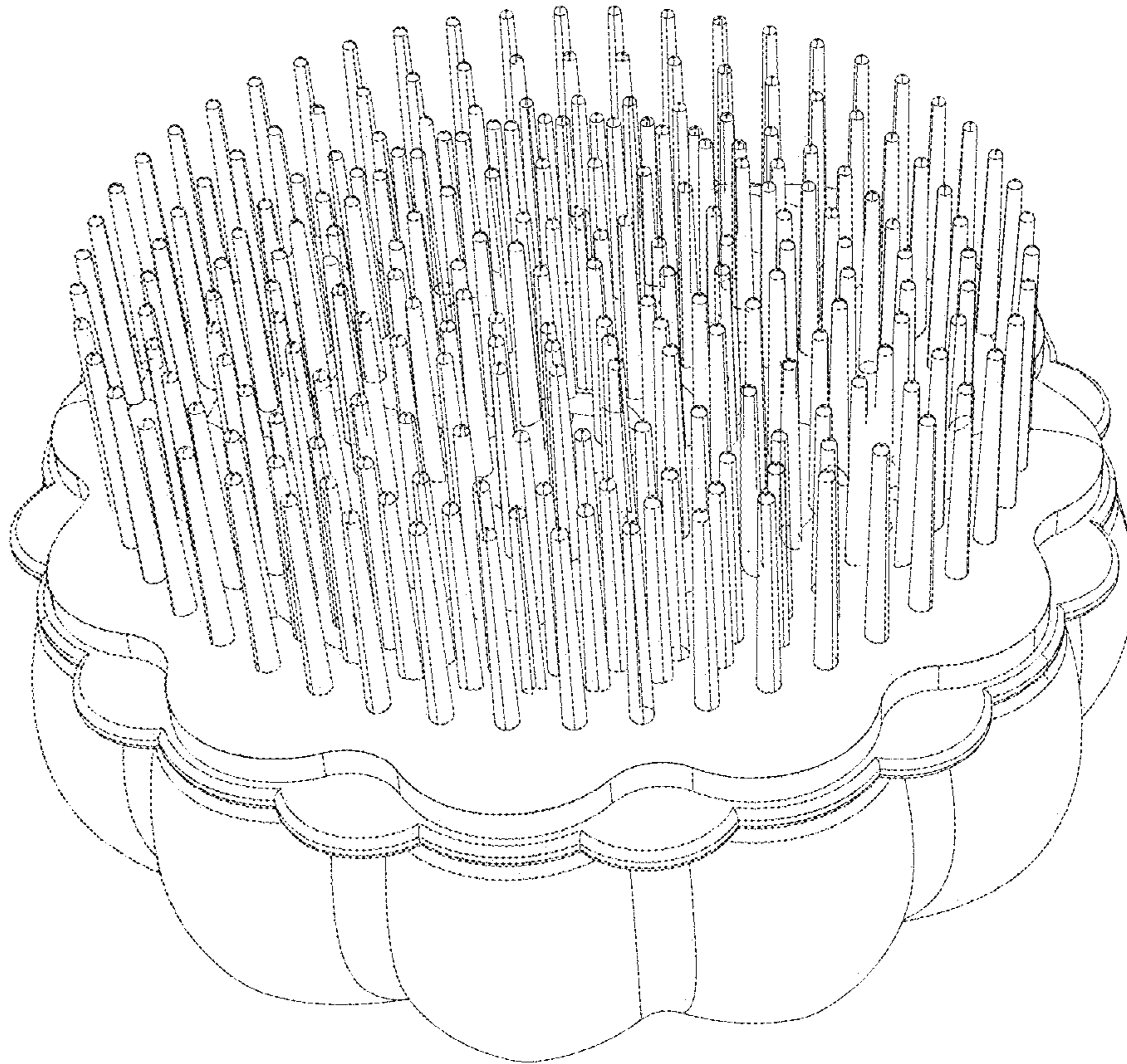


Fig. 6