



US00D876097S

(12) **United States Design Patent**  
**Zimmerman**

(10) **Patent No.:** **US D876,097 S**

(45) **Date of Patent:** **\*\* Feb. 25, 2020**

(54) **TOOTHBRUSH HANDLE**

(71) Applicant: **Israel Harry Zimmerman**, Los Angeles, CA (US)

(72) Inventor: **Israel Harry Zimmerman**, Los Angeles, CA (US)

(\*\*) Term: **15 Years**

(21) Appl. No.: **29/641,655**

(22) Filed: **Mar. 23, 2018**

(51) **LOC (12) Cl.** ..... **04-02**

(52) **U.S. Cl.**  
USPC ..... **D4/104**

(58) **Field of Classification Search**

USPC ..... D4/101, 104, 105, 106, 107, 108, 109, D4/110, 111, 112, 113, 138, 199; 15/110  
CPC .... A46B 3/00; A46B 9/02; A46B 9/04; A46B 2200/1066; A46B 2200/1073; A46B 2200/1086; A46B 17/00; A46B 15/0048  
See application file for complete search history.

(56) **References Cited**

**U.S. PATENT DOCUMENTS**

851,550 A \* 4/1907 Nevius ..... A46B 11/0093  
15/248.1  
860,527 A \* 7/1907 Cochrane ..... A46B 11/0093  
15/248.1  
878,486 A \* 2/1908 Crowell ..... A46B 11/0093  
15/248.1

(Continued)

**FOREIGN PATENT DOCUMENTS**

CH 1703696 3/2012  
CN 200950895 3/2001

(Continued)

*Primary Examiner* — Karen E Eldridge Powers

(74) *Attorney, Agent, or Firm* — Walter W. Duft

(57) **CLAIM**

The ornamental design for a toothbrush handle, as shown and described.

**DESCRIPTION**

FIG. 1 is a front, left side and bottom perspective view of a toothbrush handle showing the claimed design directed to a thumb rest feature of the handle;

FIG. 2 is a rear, right side and bottom perspective view thereof;

FIG. 3 is a front, left side and top perspective view thereof;

FIG. 4 is a rear, right side and top perspective view thereof;

FIG. 5 is a right side elevation view thereof;

FIG. 6 is a left side elevation view thereof;

FIG. 7 is a front elevation view thereof;

FIG. 8 is a rear elevation view thereof;

FIG. 9 is a top plan view thereof;

FIG. 10 is a bottom plan view thereof;

FIG. 11 is a front, left side and bottom perspective view of a toothbrush handle, showing another embodiment of the claimed design;

FIG. 12 is a rear, right side and bottom perspective view thereof;

FIG. 13 is a front, left side and top perspective view thereof;

FIG. 14 is a rear, right side and top perspective view thereof;

FIG. 15 is a right side elevation view thereof;

FIG. 16 is a left side elevation view thereof;

FIG. 17 is a front elevation view thereof;

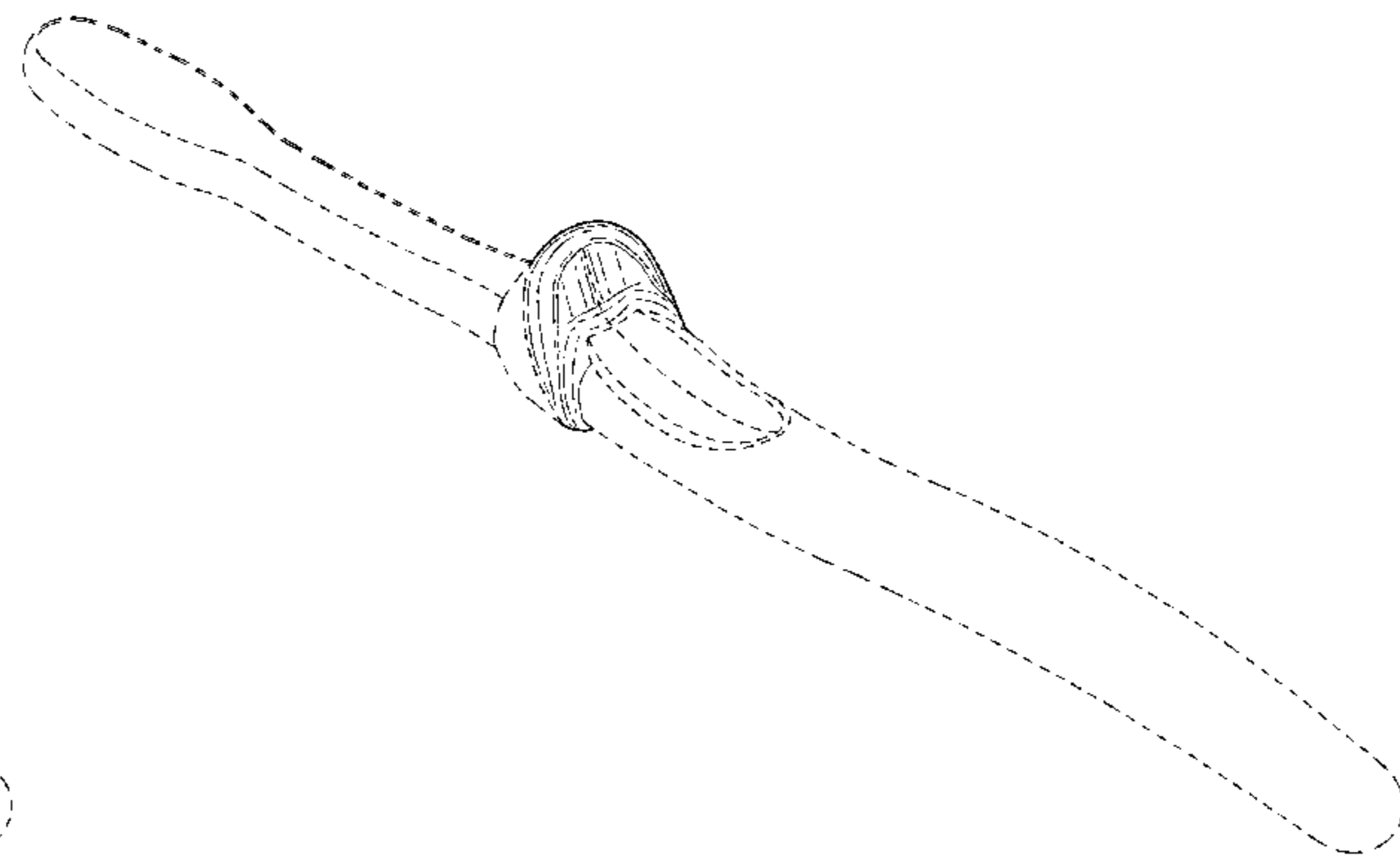
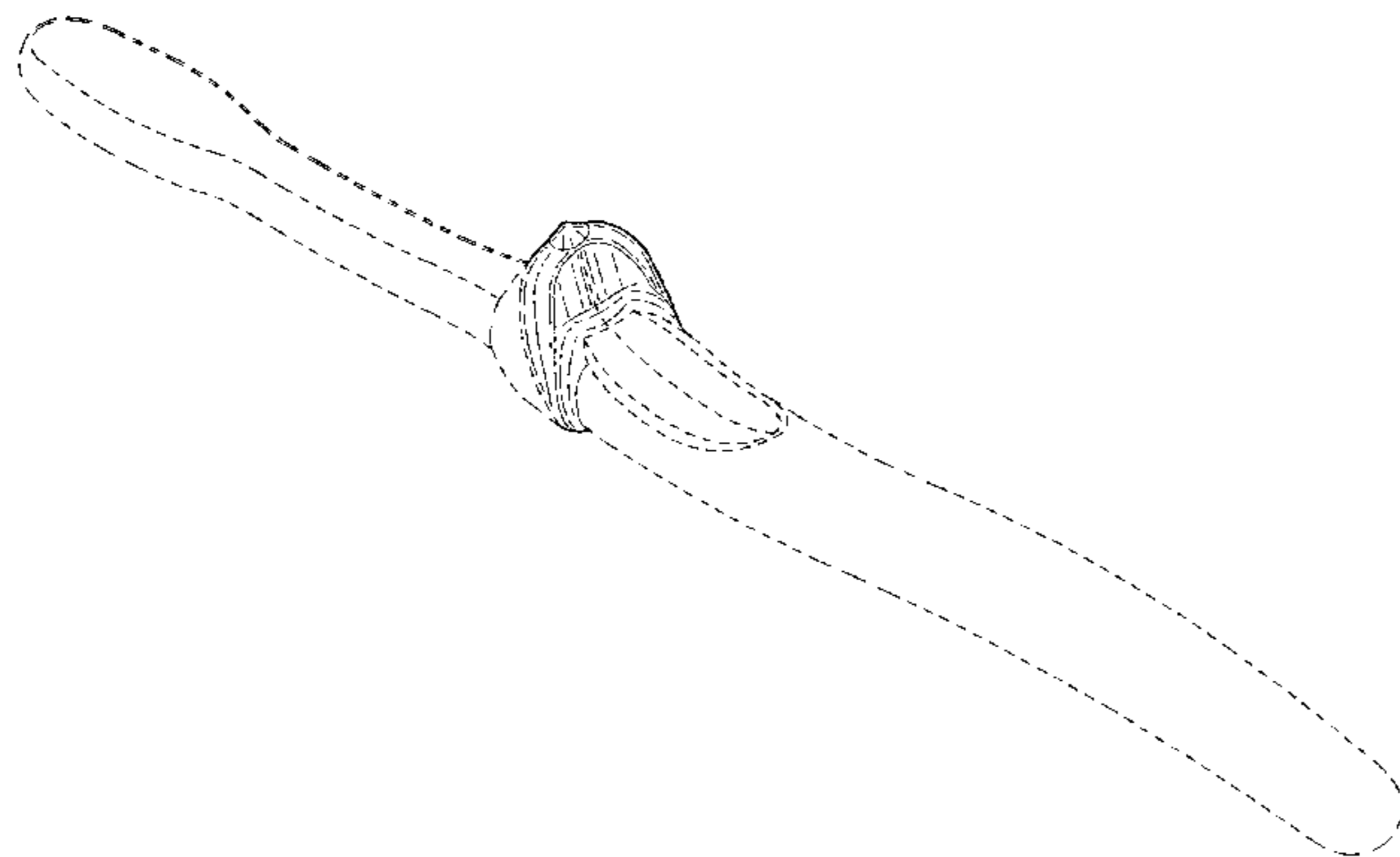
FIG. 18 is a rear elevation view thereof;

FIG. 19 is a top plan view thereof; and,

FIG. 20 is a bottom plan view thereof.

The broken lines showing a toothbrush handle illustrate those portions of the article that form no part of the claimed design.

**1 Claim, 10 Drawing Sheets**



(56)

References Cited

U.S. PATENT DOCUMENTS

1,501,020 A \* 7/1924 Small ..... A46B 11/0093  
15/248.1  
2,722,703 A 11/1955 Green  
3,968,950 A 7/1976 Gallo  
5,158,342 A \* 10/1992 Pai ..... A46B 1/00  
264/243  
5,228,166 A 7/1993 Gomez  
5,517,713 A 5/1996 Hadcock  
D384,207 S \* 9/1997 Underwood ..... D4/104  
5,860,190 A 1/1999 Cano  
5,956,796 A 9/1999 Lodato  
D419,774 S \* 2/2000 Langue ..... D4/104  
6,490,760 B1 12/2002 Lauer et al.  
D494,370 S \* 8/2004 Wong ..... D4/104  
D497,256 S \* 10/2004 Xi ..... D4/104  
D512,224 S \* 12/2005 Crossman ..... D4/101  
D514,326 S \* 2/2006 Moskovich ..... D4/104  
7,007,335 B1 3/2006 Doat  
D577,202 S \* 9/2008 Meyer ..... D4/119  
7,527,446 B2 5/2009 Johnson Papa et al.  
8,046,864 B2 \* 11/2011 Baertschi ..... A46B 5/02  
15/110  
D672,561 S \* 12/2012 Jin ..... D4/104  
8,650,697 B2 2/2014 Lombardi  
8,769,832 B1 7/2014 Joyner

D754,975 S \* 5/2016 Buckley ..... D4/138  
9,861,187 B2 1/2018 Zimmerman  
10,092,087 B2 10/2018 Zimmerman  
D846,889 S \* 4/2019 Renner ..... D4/138  
2004/0025272 A1 2/2004 Nanda  
2007/0039109 A1 2/2007 Nanda  
2008/0244850 A1 \* 10/2008 Kuo ..... A46B 15/00  
15/167.1  
2008/0311282 A1 12/2008 Hammon  
2014/0053357 A1 2/2014 Barzel  
2018/0235357 A1 8/2018 Zimmerman  
2018/0279765 A1 \* 10/2018 Zimmerman ..... A46B 15/0097

FOREIGN PATENT DOCUMENTS

CN 301754637 \* 12/2011  
CN 301950643 \* 6/2012  
CN 302344829 \* 3/2013  
DE 202011002076 U1 9/2011  
EP 1277420 10/2005  
GB GP2443888 A 5/2008  
JP 2006000466 1/2006  
KR 1020100103227 9/2010  
WO WO9833789 9/1998  
WO WO9844823 10/1998  
WO WO0117391 9/1999

\* cited by examiner

FIG. 1

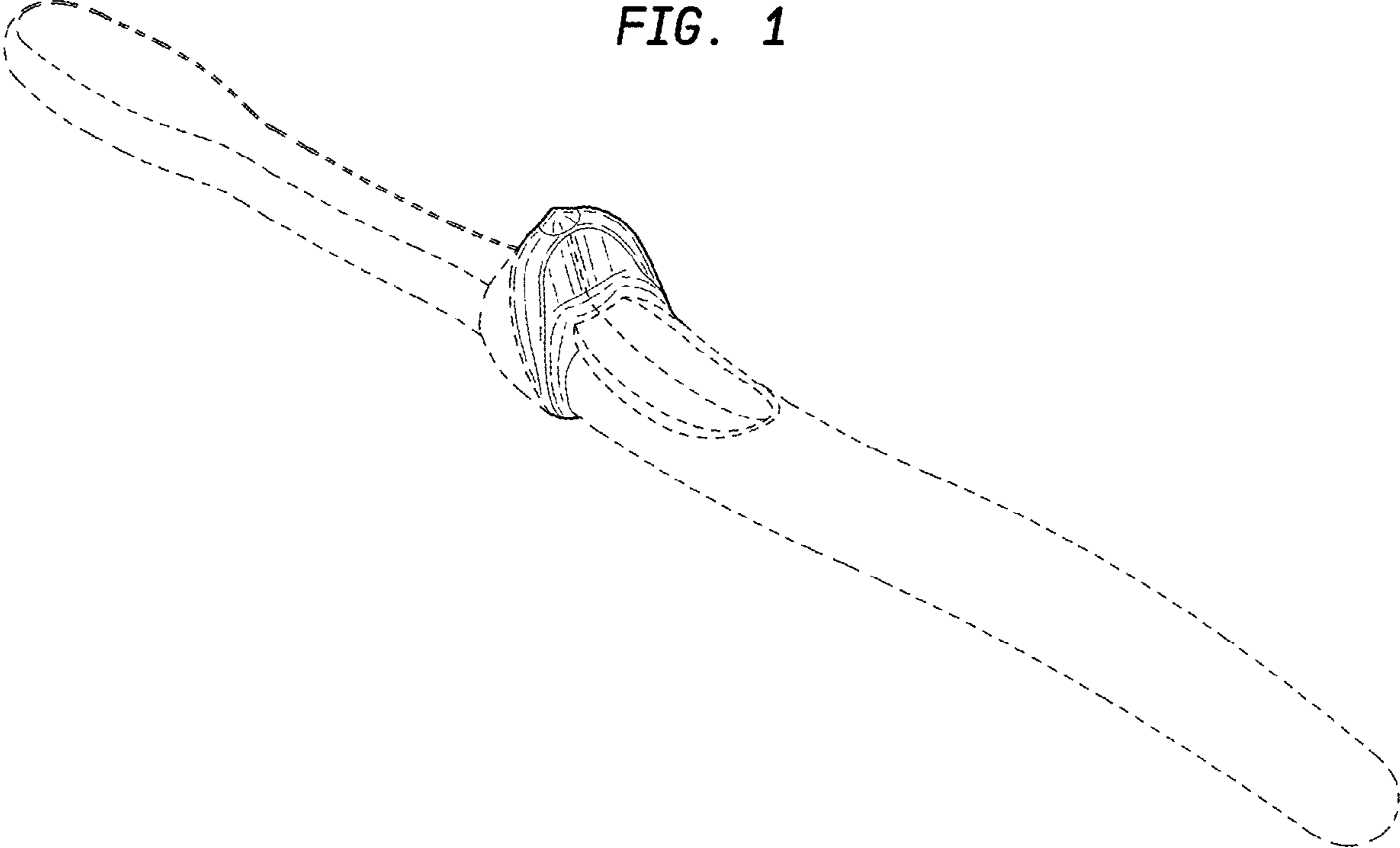


FIG. 2

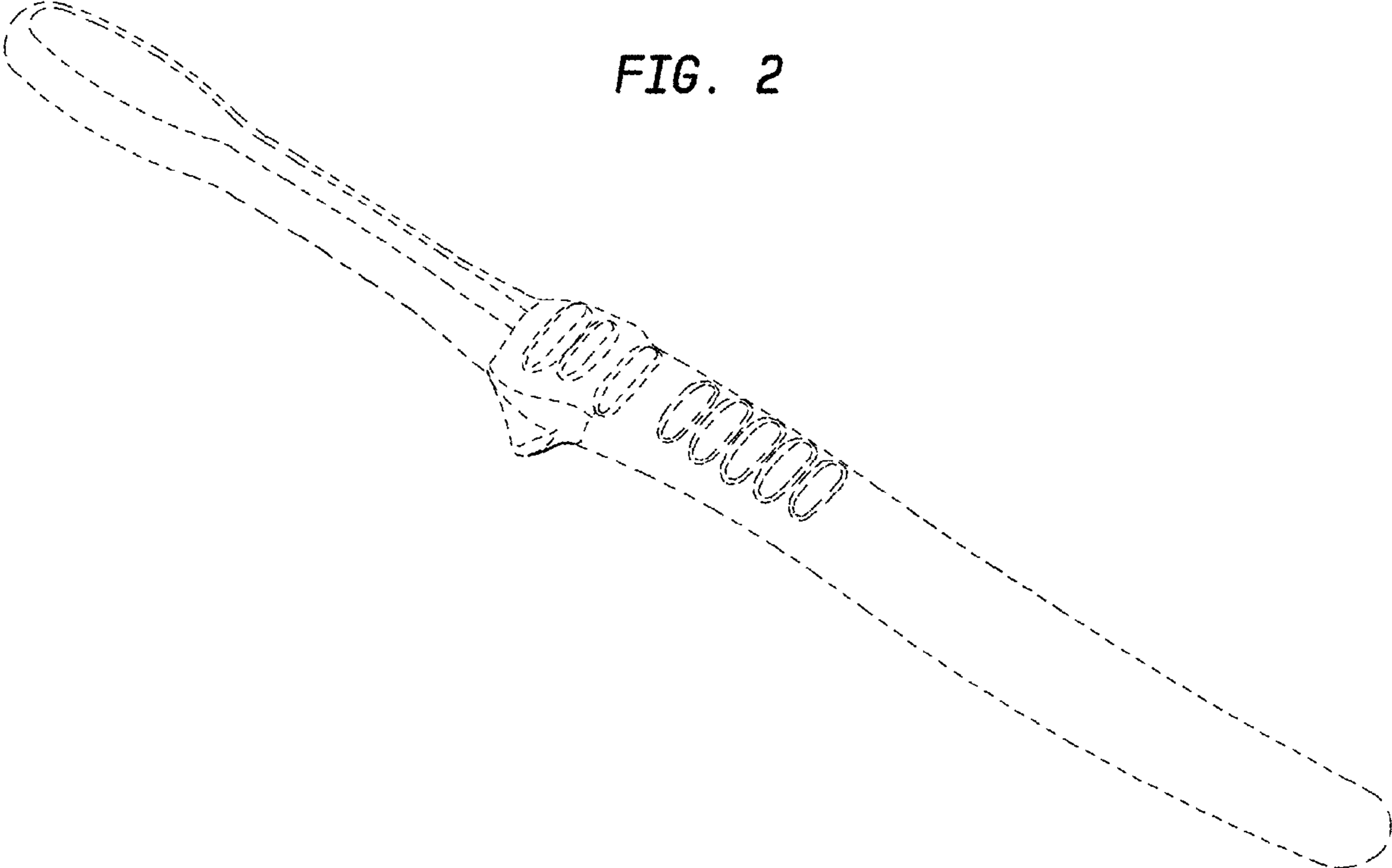


FIG. 3

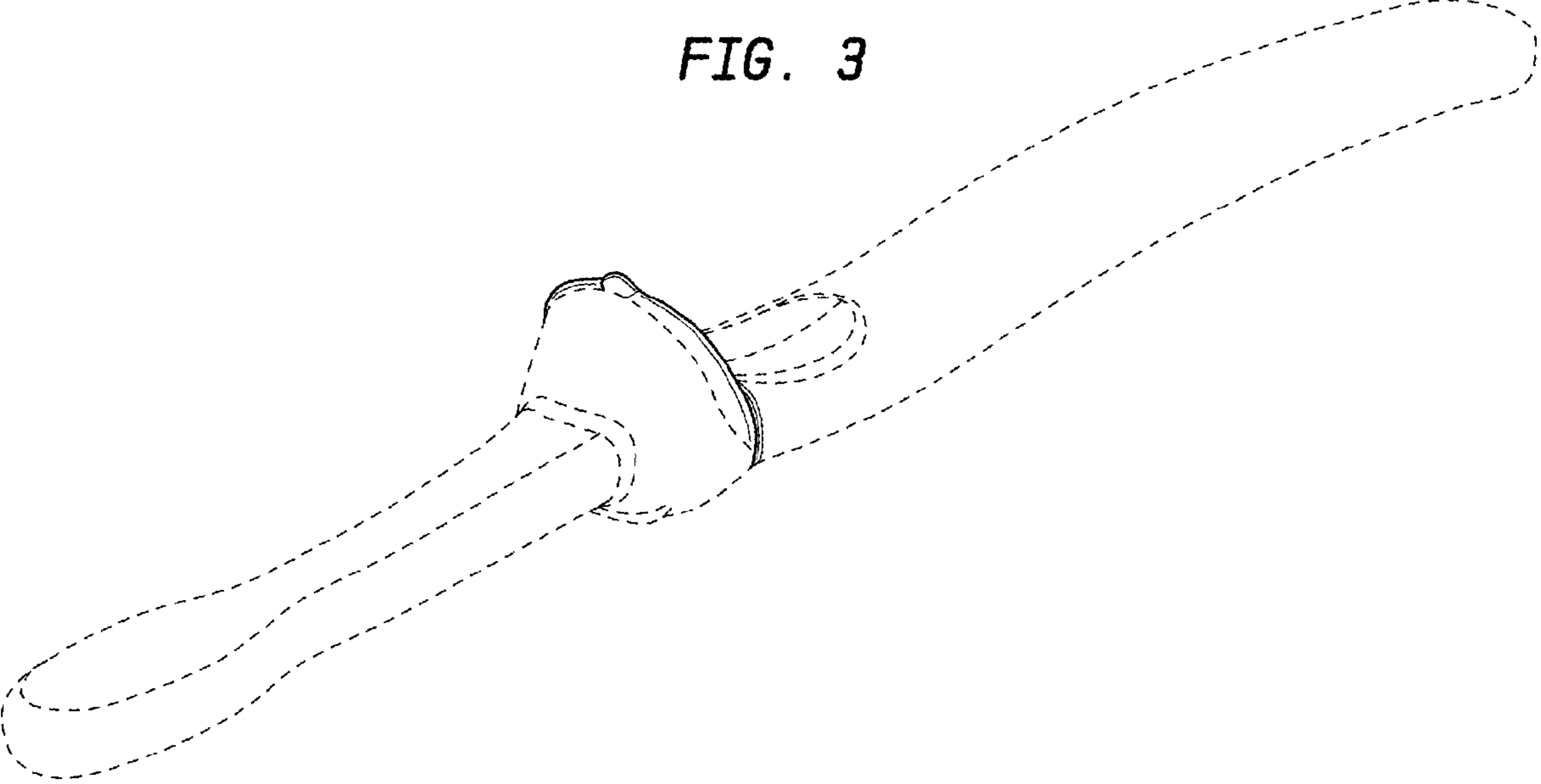


FIG. 4

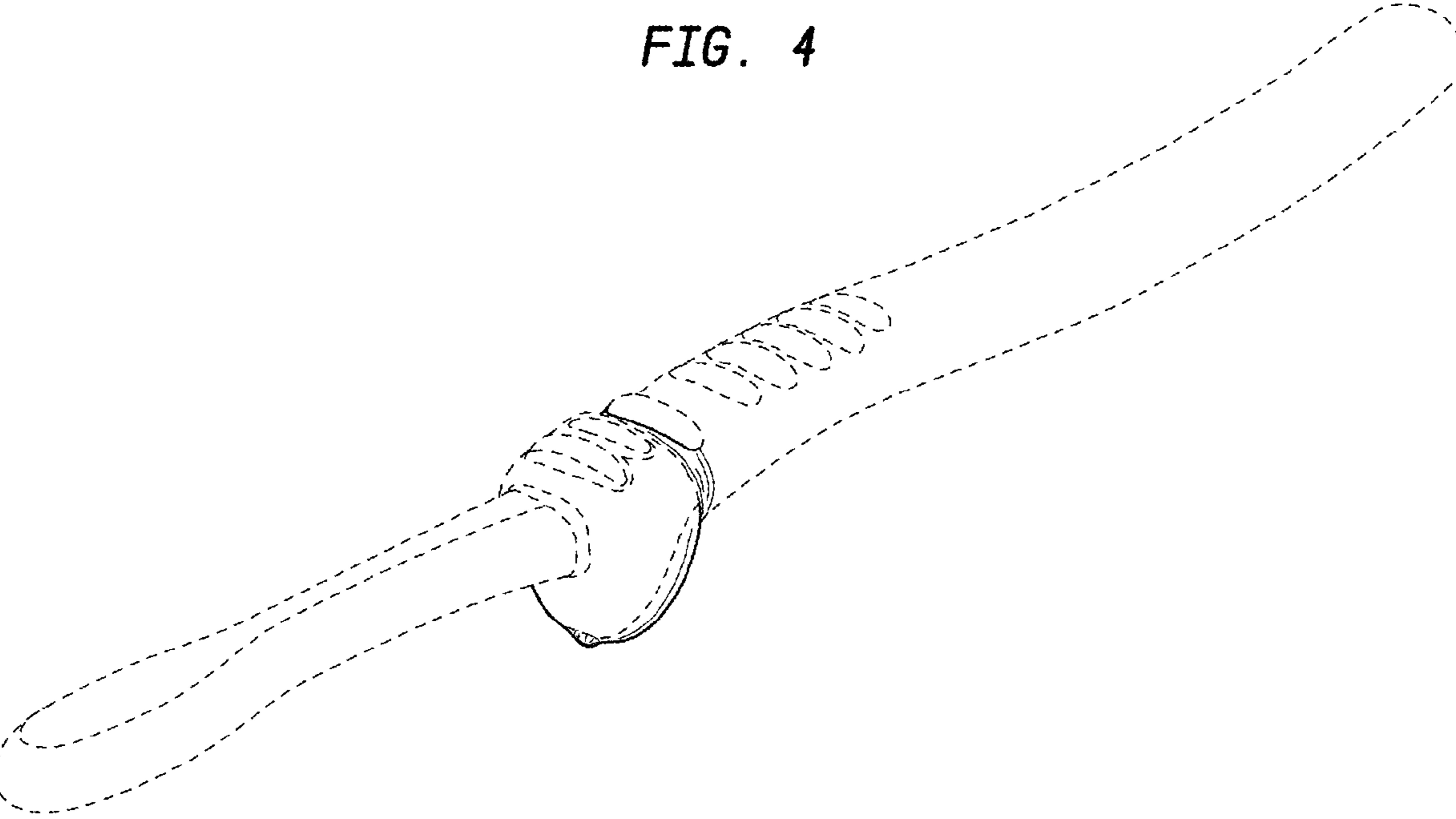


FIG. 5



FIG. 6



FIG. 7

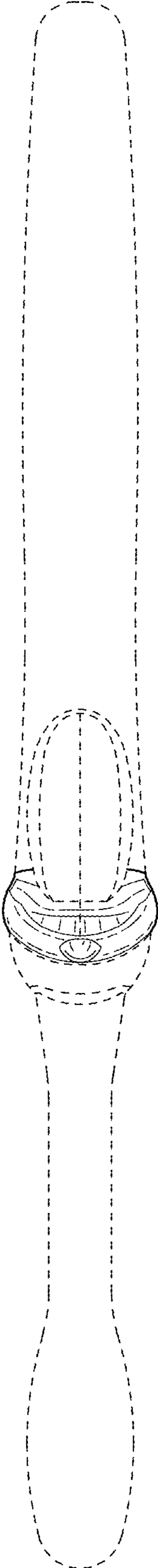
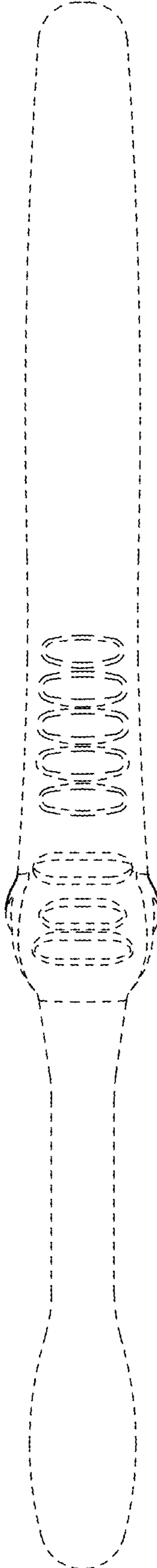
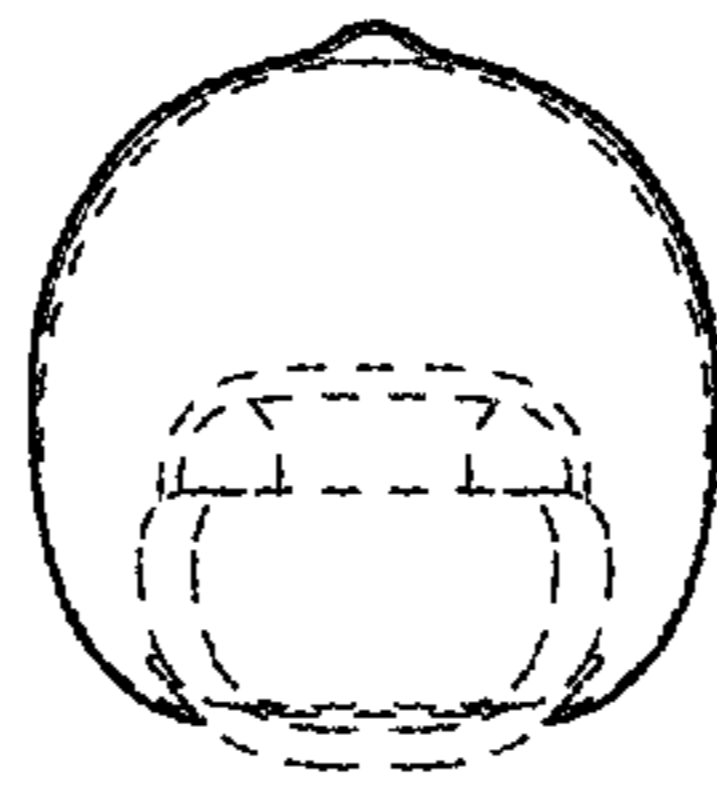


FIG. 8



*FIG. 9*



*FIG. 10*

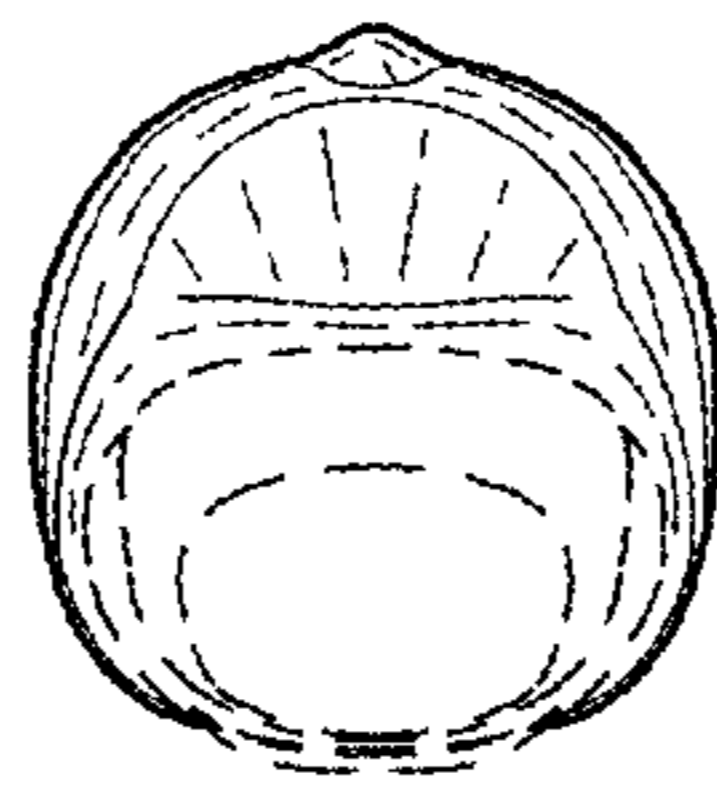


FIG. 11

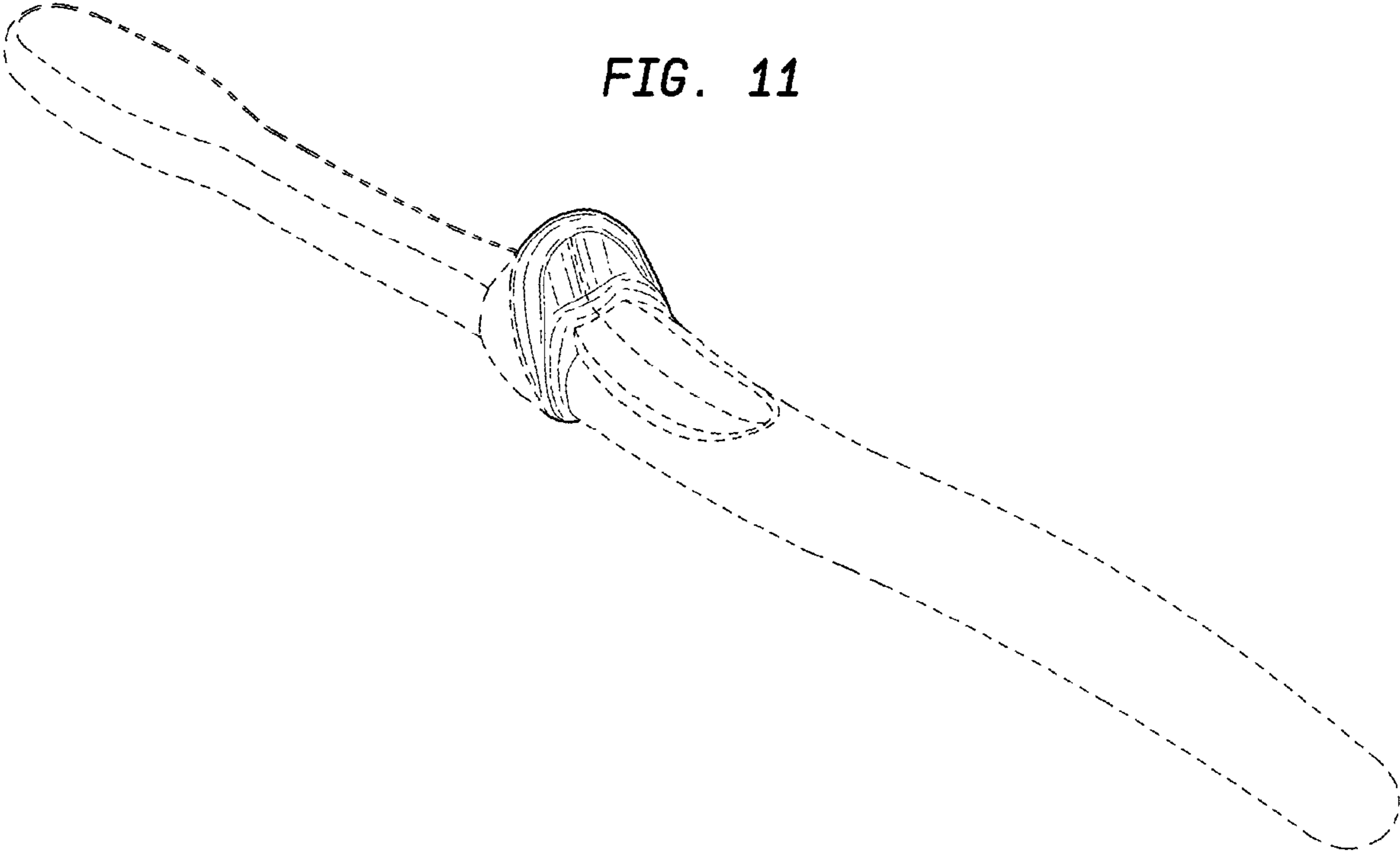


FIG. 12

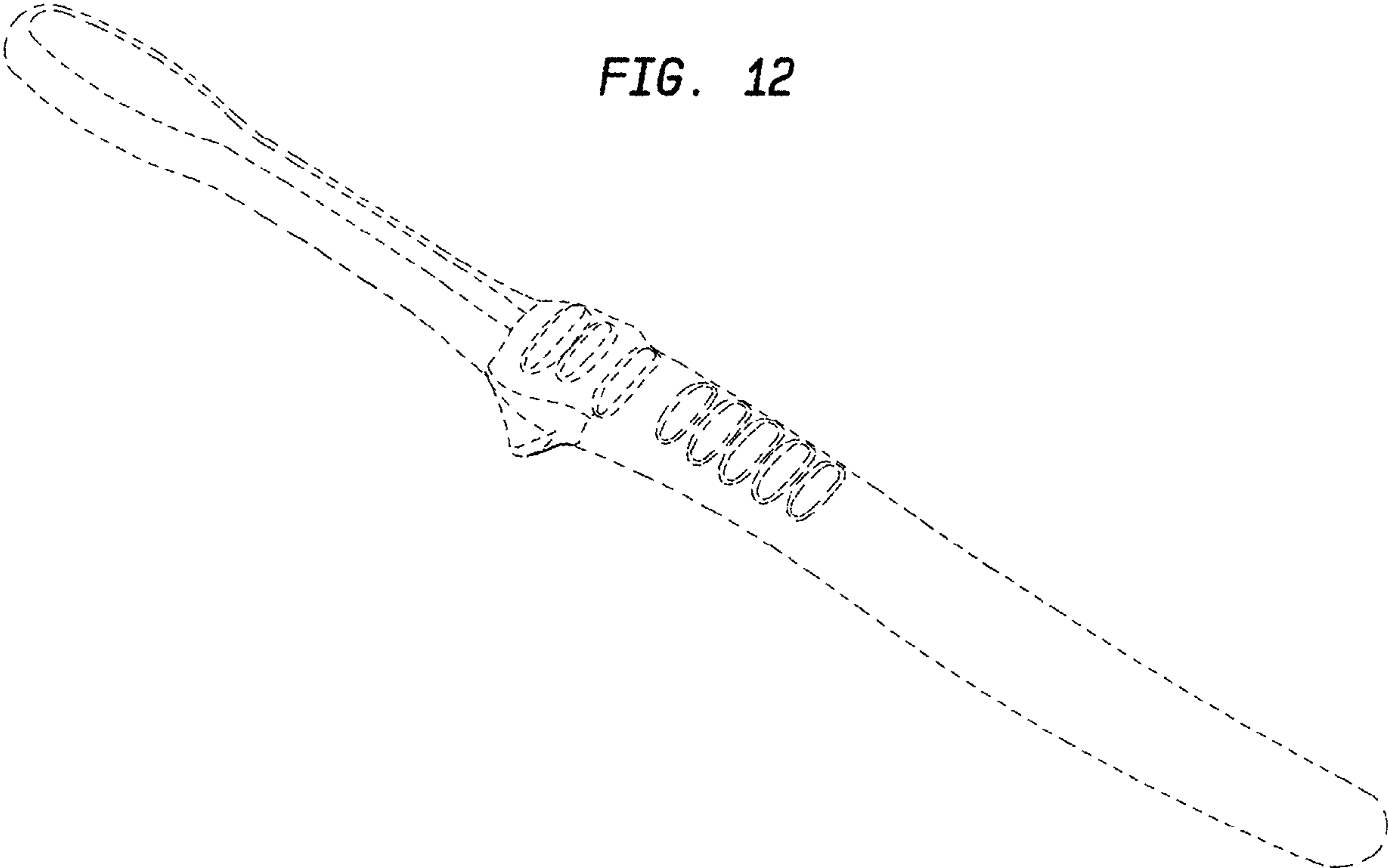




FIG. 13

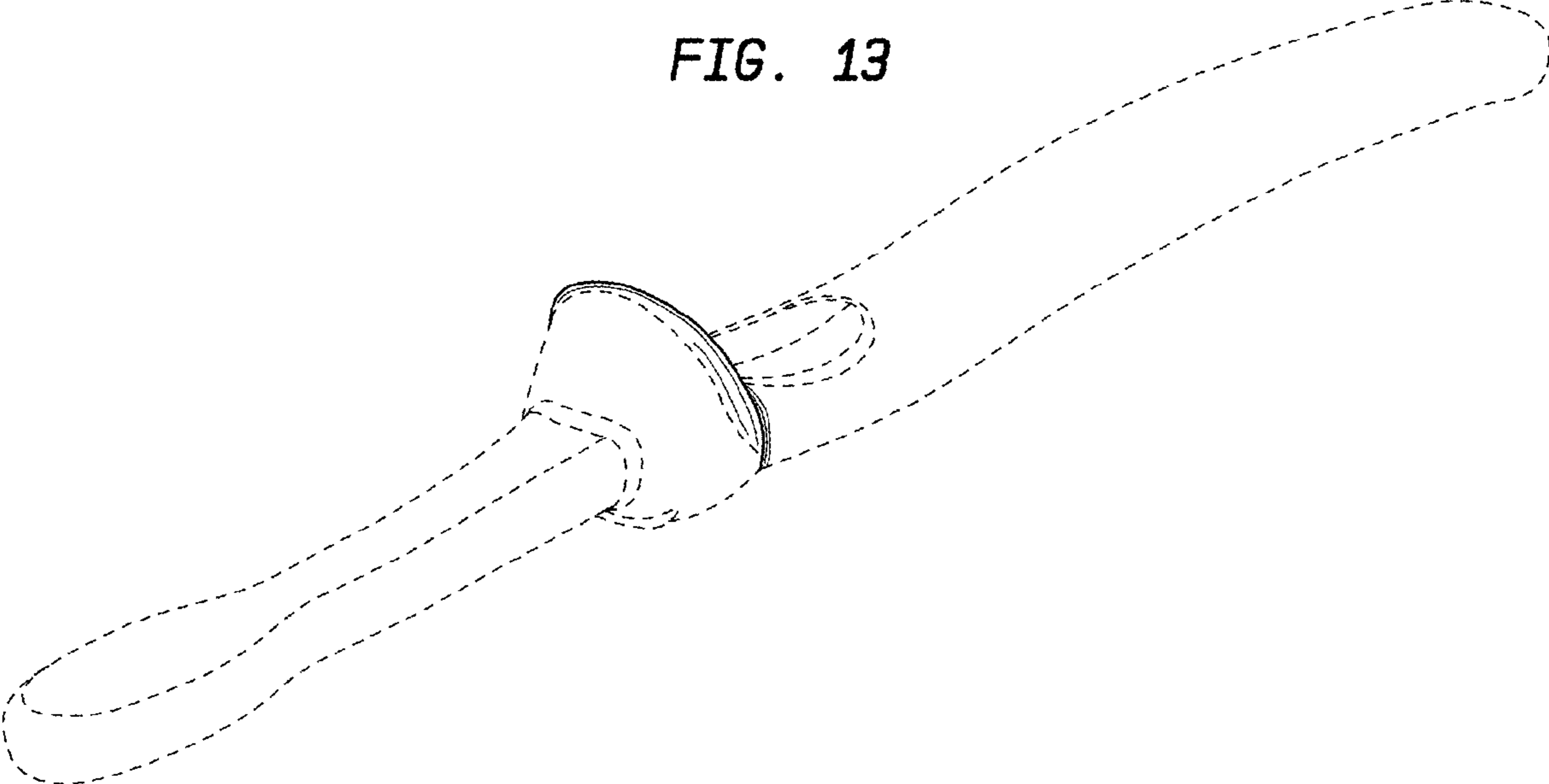


FIG. 14

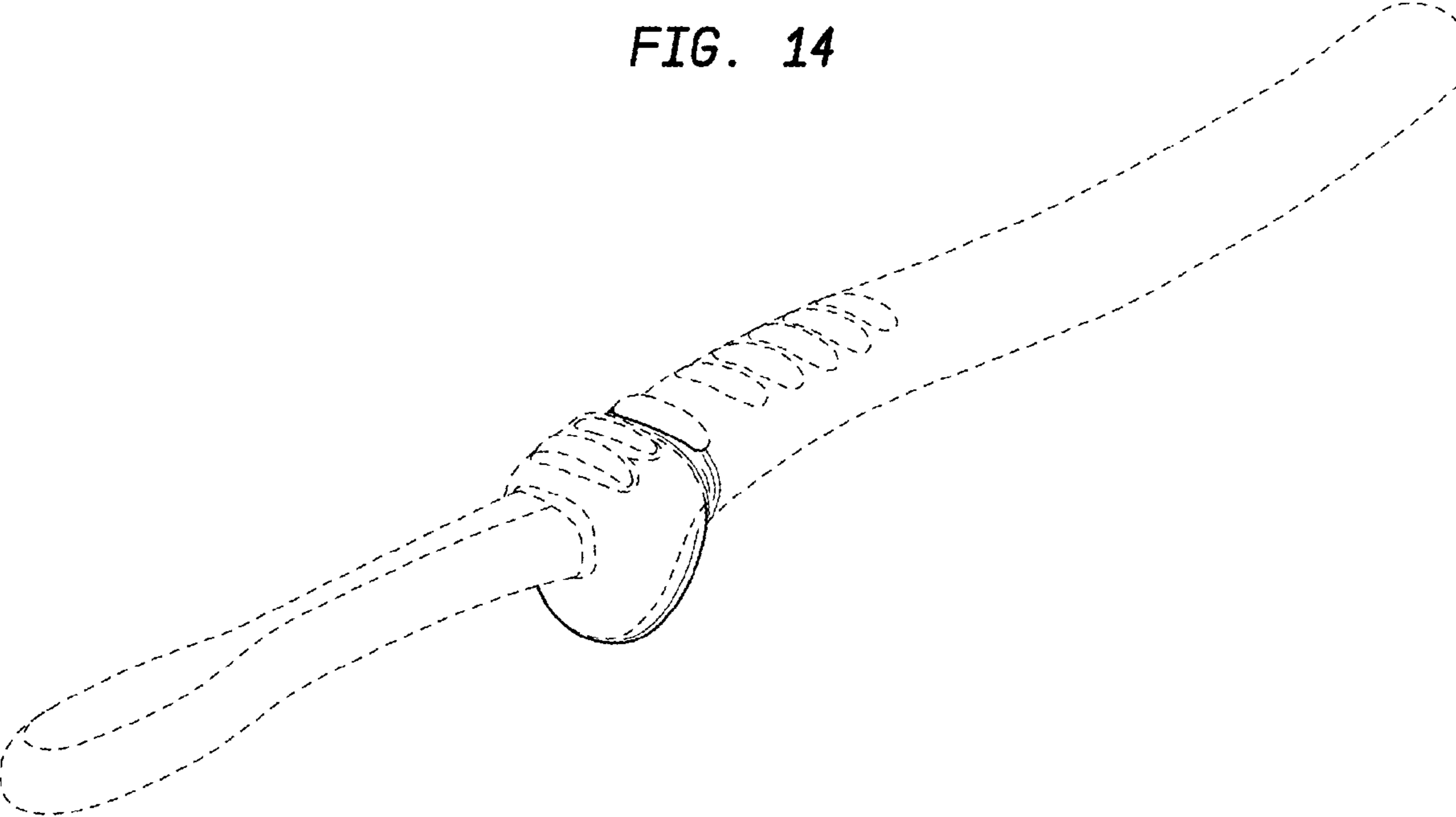


FIG. 15



FIG. 16



FIG. 17

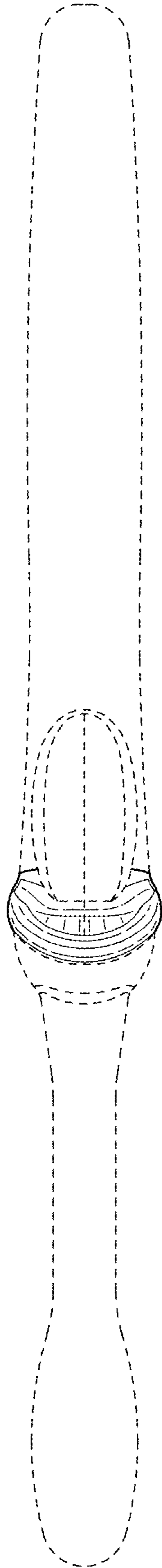
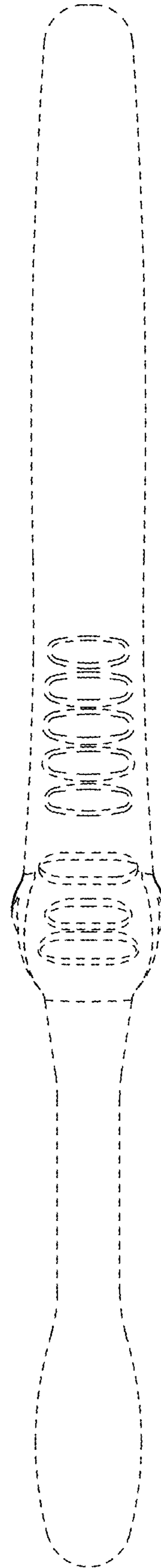
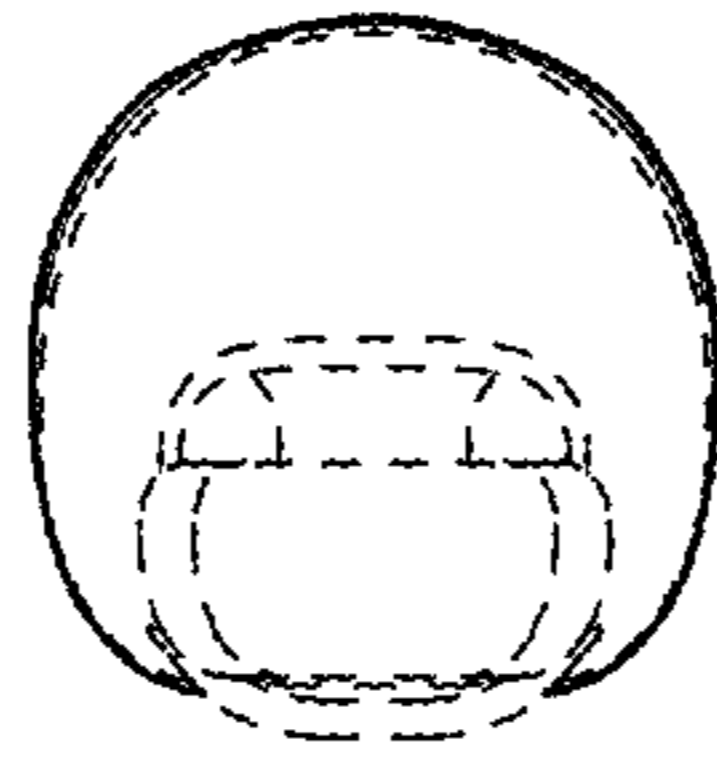


FIG. 18



*FIG. 19*



*FIG. 20*

