



US00D876096S

(12) **United States Design Patent** (10) **Patent No.:** **US D876,096 S**  
**Damavandi et al.** (45) **Date of Patent:** **\*\* Feb. 25, 2020**

(54) **ELECTRIC TOOTHBRUSH HANDLE**

FOREIGN PATENT DOCUMENTS

(71) Applicant: **DAJ DISTRIBUTION, INC.**, Los Angeles, CA (US)

CN 303914338 \* 7/2016  
CN 303999406 \* 1/2017

(Continued)

(72) Inventors: **David Damavandi**, Los Angeles, CA (US); **Li Dongbao**, Shenzhen (CN)

OTHER PUBLICATIONS

(73) Assignee: **DAJ GLOBAL PARTNERS LLC**, Los Angeles, CA (US)

Philips Sonicare Diamondclean Smart 9500 White | Philips Sonicare, [https://www.usa.philips.com/c-p/HX9924\\_01/sonicare-diamondclean-smart-sonic-electric-toothbrush-with-app#choose\\_color](https://www.usa.philips.com/c-p/HX9924_01/sonicare-diamondclean-smart-sonic-electric-toothbrush-with-app#choose_color); Retrieved from website—[www.usa.philips.com](http://www.usa.philips.com), pp. 2-15 [online]; © Koninklijke Philips N.V., 2004-2019 [retrieved on Sep. 16, 2019].

(\*\*) Term: **15 Years**

(21) Appl. No.: **29/696,719**

*Primary Examiner* — Karen E Eldridge Powers

(22) Filed: **Jun. 30, 2019**

(74) *Attorney, Agent, or Firm* — Hackler Daghighian Martino & Novak

(51) **LOC (12) Cl.** ..... **28-03**

(57) **CLAIM**

(52) **U.S. Cl.**

The ornamental design for an electric toothbrush handle, as shown and described.

USPC ..... **D4/101**

(58) **Field of Classification Search**

**DESCRIPTION**

USPC ..... D4/100, 101, 102, 104, 105, 106, 107, D4/108, 109, 110, 111, 114, 119, 120, D4/121, 124, 125, 126, 127, 130, 132, D4/133, 134, 138, 199

CPC ..... A61C 17/225; A61C 17/3427

See application file for complete search history.

FIG. 1 is an isometric view of an electric toothbrush handle illustrating my new design; FIG. 2 is a front elevation view thereof; FIG. 3 is a back elevation view thereof; FIG. 4 is a left side elevation view thereof; FIG. 5 is a right side elevation view thereof; FIG. 6 is a close up view of the area designated in FIG. 5. FIG. 7 is a top plan view thereof; and, FIG. 8 is a bottom plan view thereof.

(56) **References Cited**

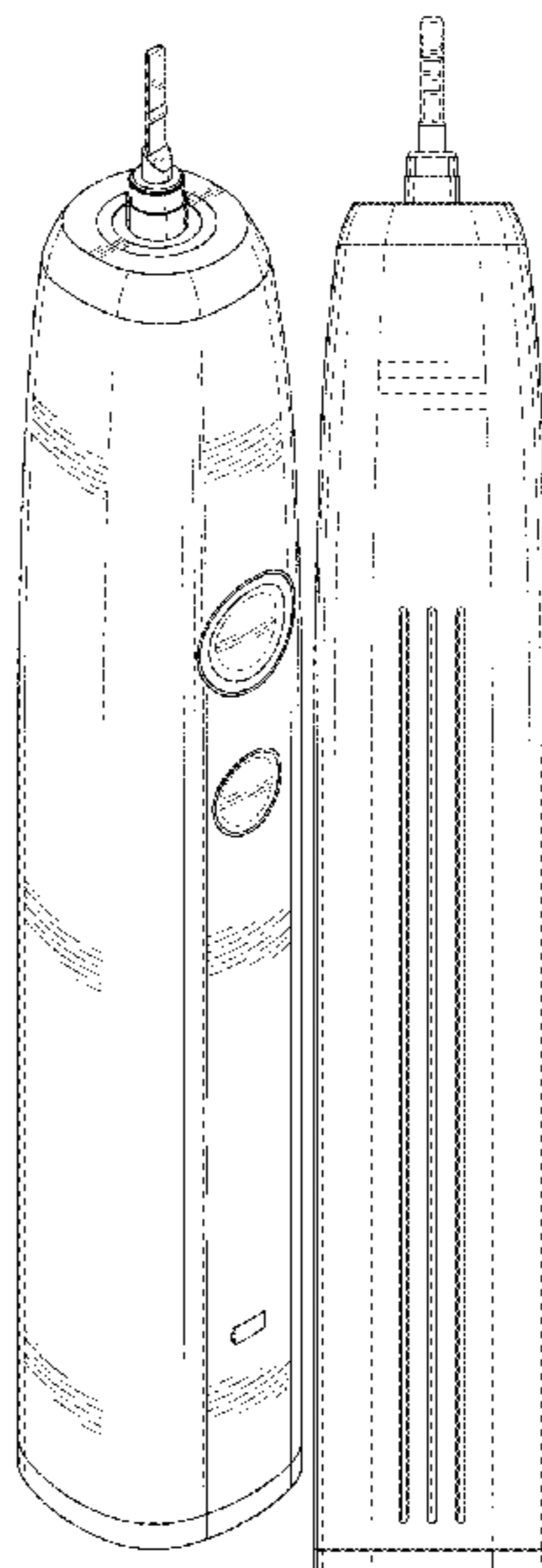
U.S. PATENT DOCUMENTS

D144,203 S \* 3/1946 Marsh ..... D4/114  
D144,971 S \* 6/1946 Hofmann ..... D4/199  
D150,915 S \* 9/1948 Hofman ..... D4/115  
2,728,930 A \* 1/1956 Hempel ..... A46B 5/02  
401/6  
D258,779 S \* 4/1981 Hopkins ..... D32/42  
D388,958 S 1/1998 Hartwein  
D396,957 S 8/1998 Allende  
D405,272 S \* 2/1999 Khalaj ..... D24/147

The broken lines in FIG. 5 indicate the portion of the electric toothbrush handle that is later represented in the enlarged, detail view of FIG. 6. The edge shown in broken lines in FIG. 6 is for ease of illustration, and does not illustrate the actual bounds of the claimed surfaces. The broken lines in FIG. 8 form no part of the claimed design. It is to be understood that the edges shown in broken lines, therefore, do not illustrate discrete features of the claimed design.

(Continued)

**1 Claim, 3 Drawing Sheets**



(56)

References Cited

U.S. PATENT DOCUMENTS

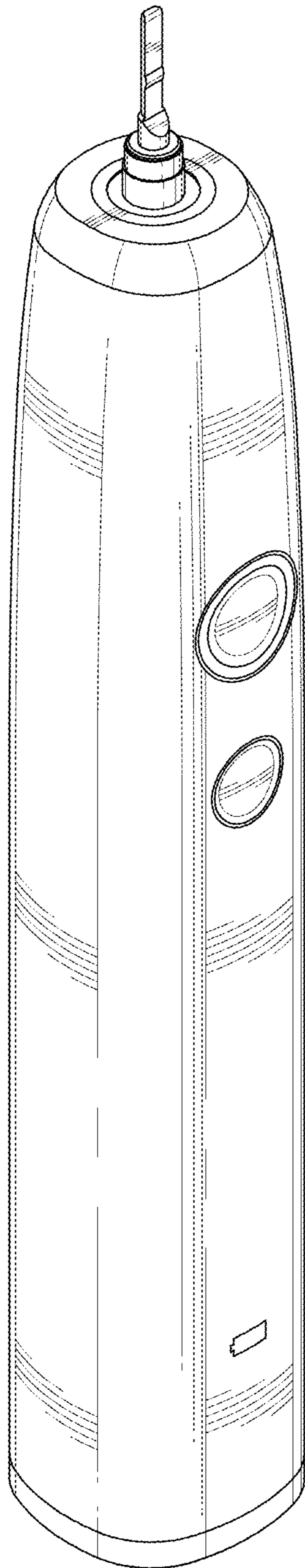
D420,801 S 2/2000 Miller  
 D458,028 S 6/2002 McCurrach  
 D474,026 S 5/2003 Wright  
 D474,895 S 5/2003 Breit  
 D489,183 S 5/2004 Akahori et al.  
 D493,960 S 8/2004 Jimenez et al.  
 D500,207 S 12/2004 Jimenez et al.  
 D500,208 S 12/2004 Vu  
 D500,599 S 1/2005 Callaghan  
 D503,852 S 4/2005 Hensel  
 D510,662 S 10/2005 Kling et al.  
 D515,815 S 2/2006 Jimenez et al.  
 D515,816 S 2/2006 Jimenez et al.  
 D532,974 S 12/2006 Zhuan  
 D533,720 S 12/2006 Vu  
 D547,951 S \* 8/2007 Ullmann ..... D4/101  
 D580,173 S 11/2008 Beedham  
 D604,470 S \* 11/2009 Billig ..... D32/50  
 D636,604 S 4/2011 Zhuan  
 D658,382 S 5/2012 Heil et al.  
 D688,464 S 8/2013 Hara  
 D696,023 S 12/2013 Gebski  
 D715,056 S 10/2014 Alejandro et al.  
 9,226,808 B2 \* 1/2016 Utsch ..... A61C 17/222  
 D749,851 S \* 2/2016 Watkins ..... D4/101  
 D749,852 S \* 2/2016 Since ..... D4/101  
 D752,868 S \* 4/2016 McGarry ..... D4/101  
 D758,079 S \* 6/2016 Since ..... D4/101  
 D766,581 S \* 9/2016 Bloch ..... D4/101

9,579,175 B2 \* 2/2017 Stoerkel ..... A61C 17/3418  
 D787,189 S \* 5/2017 Fretwell ..... D4/101  
 D788,469 S 6/2017 McGarry et al.  
 D790,859 S 7/2017 McGarry et al.  
 D791,485 S 7/2017 McGarry et al.  
 D799,217 S \* 10/2017 Massee ..... D4/101  
 D801,696 S 11/2017 McGarry et al.  
 D819,337 S 6/2018 Yuan et al.  
 D838,991 S 1/2019 Choi et al.  
 D844,997 S 4/2019 Au et al.  
 D845,636 S 4/2019 Porter et al.  
 D850,112 S 6/2019 Wang  
 D851,411 S \* 6/2019 Wainless ..... D4/138  
 2007/0094822 A1 5/2007 Gatznereyer et al.  
 2010/0269276 A1 \* 10/2010 Faranda ..... A61C 17/221  
 15/22.1  
 2016/0095681 A1 \* 4/2016 Weinstein ..... A61C 17/3481  
 433/216  
 2017/0112272 A1 4/2017 Bloch et al.  
 2017/0318955 A1 \* 11/2017 Hohlbein ..... A46B 15/0087  
 2019/0083217 A1 \* 3/2019 Triato ..... F03G 1/08

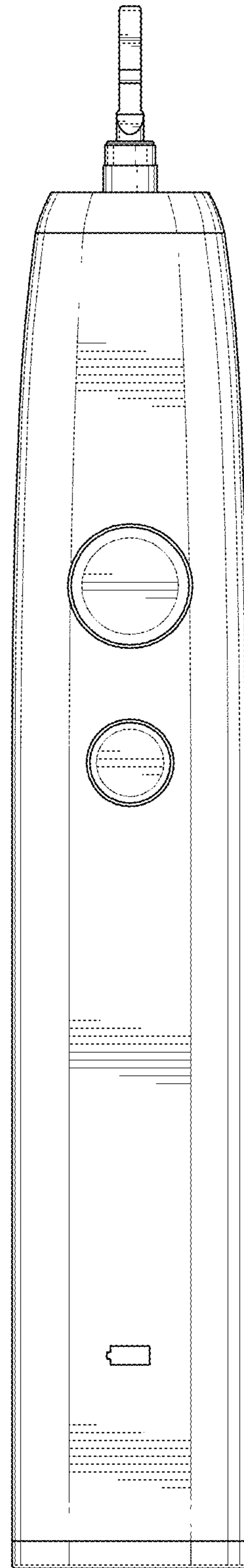
FOREIGN PATENT DOCUMENTS

CN 304302840 \* 9/2017  
 CN 304561837 \* 3/2018  
 DE 20 2008 008 686 U1 1/2009  
 DE 10 2008 060 829 A1 6/2010  
 KR 10-2010-0056578 5/2010  
 KR 3009169550003 \* 8/2017

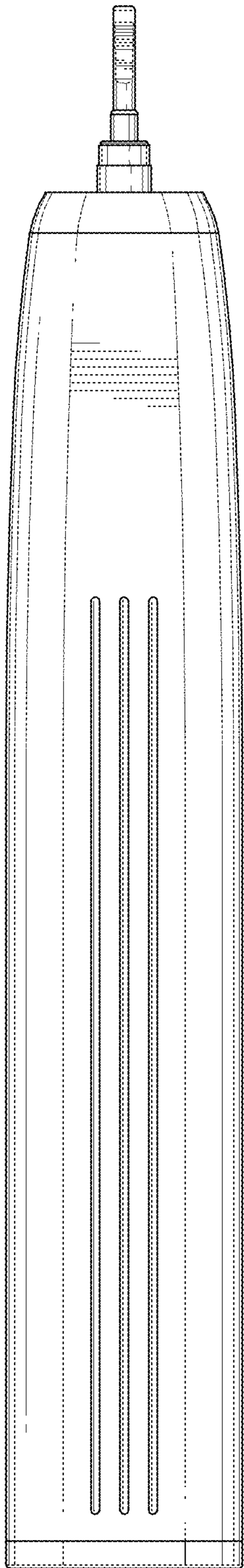
\* cited by examiner



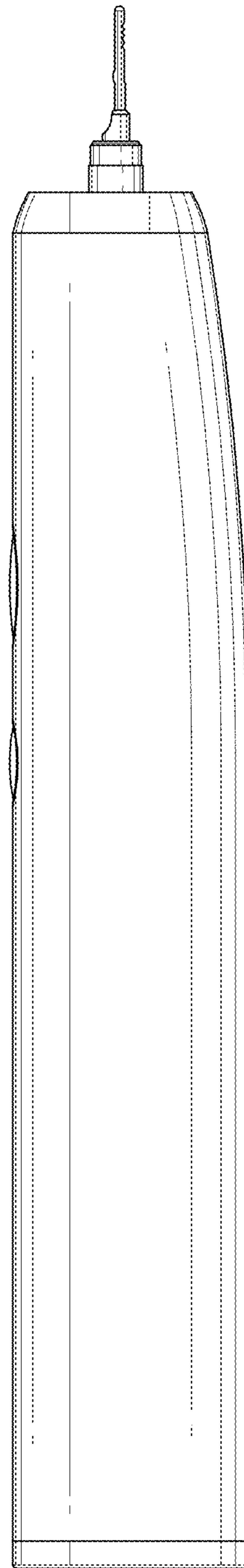
**FIG. 1**



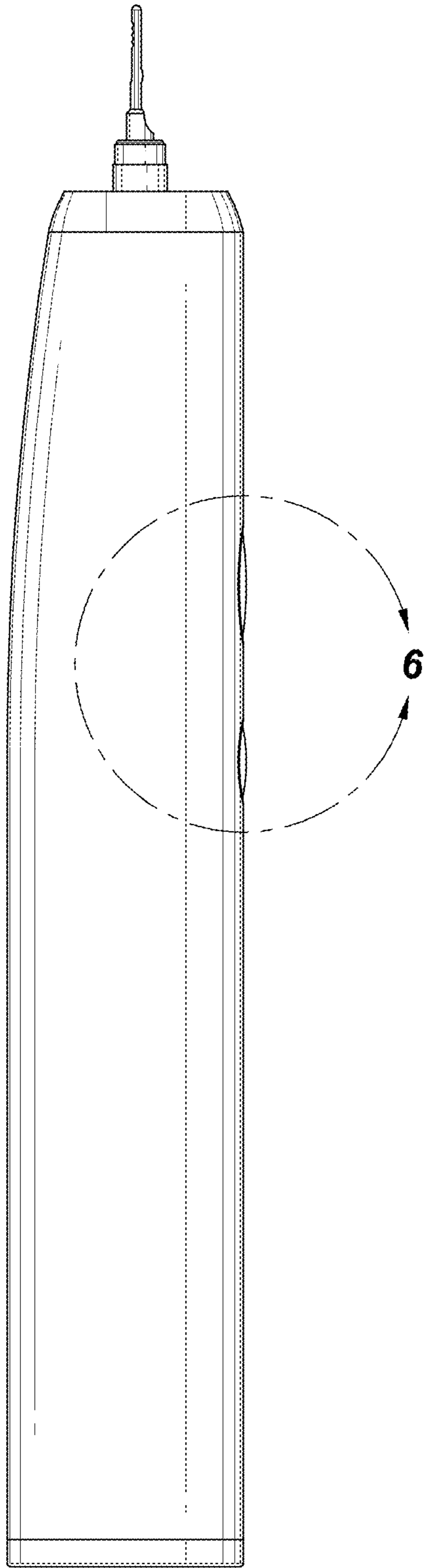
**FIG. 2**



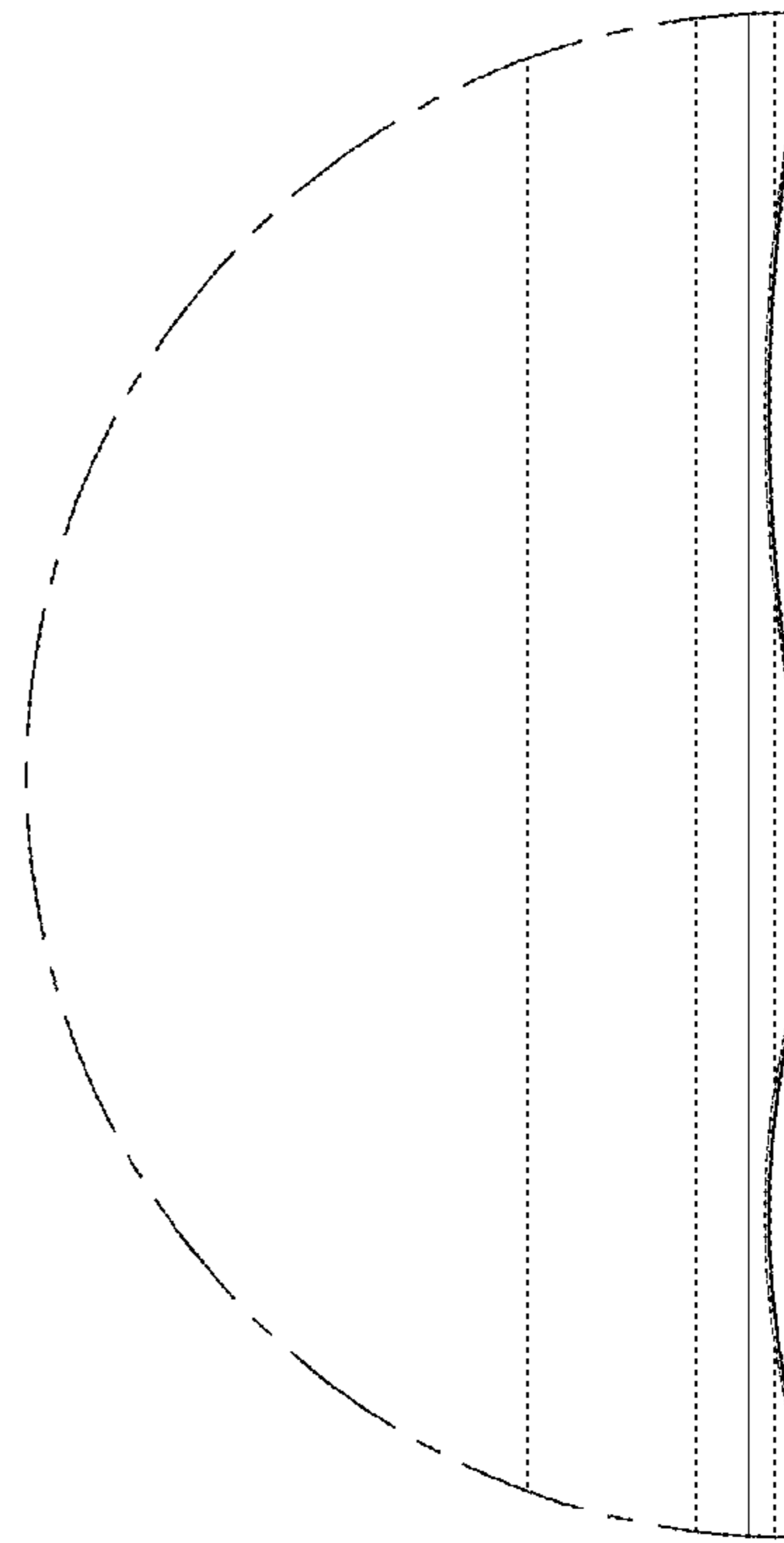
**FIG. 3**



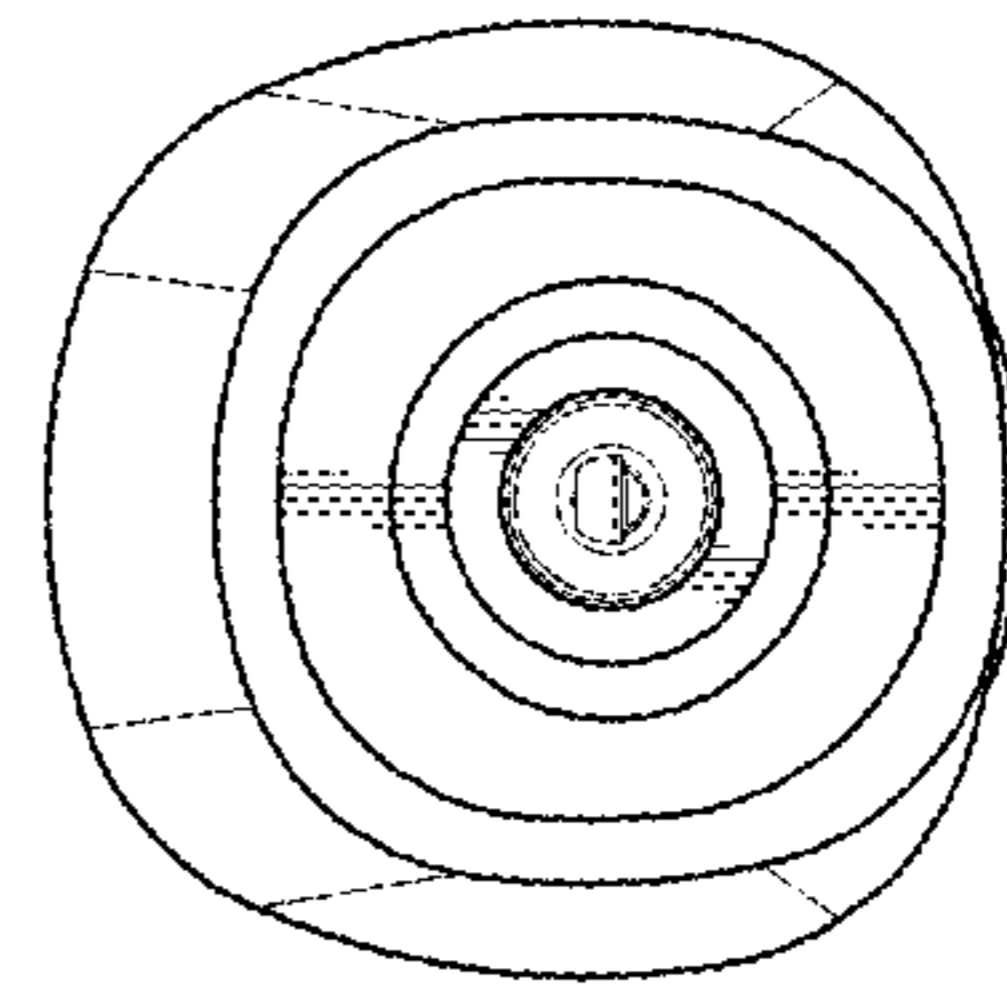
**FIG. 4**



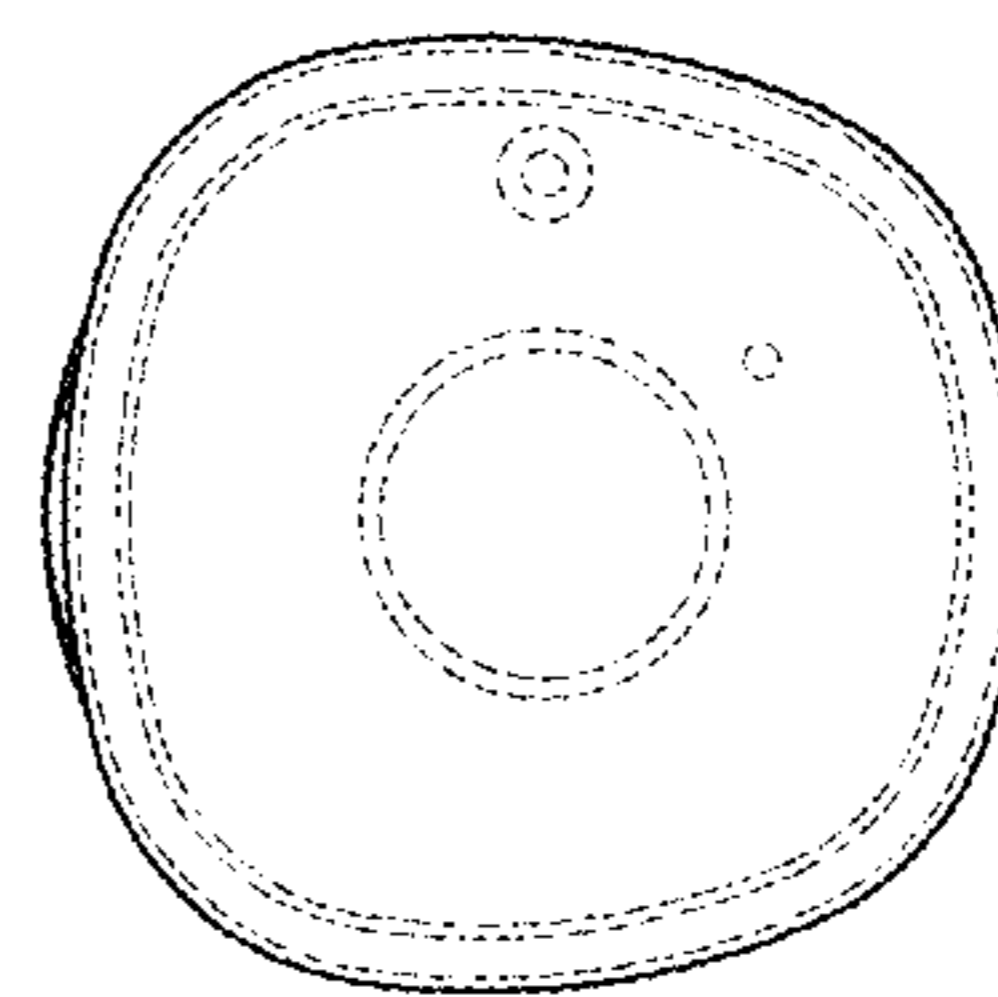
**FIG. 5**



**FIG. 6**



**FIG. 7**



**FIG. 8**