



US00D876095S

(12) **United States Design Patent**
Guyon et al.

(10) **Patent No.:** **US D876,095 S**

(45) **Date of Patent:** **** Feb. 25, 2020**

(54) **REMOVABLE BROOCH**

(71) Applicant: **S.A.S. JEAN CASSEGRAIN**, Paris (FR)

(72) Inventors: **Isabelle Guyon**, Paris (FR); **Sophie Delafontaine**, Versailles (FR); **Philippe Cassegrain**, Paris (FR)

(73) Assignee: **S.A.S. Jean Cassegrain**, Paris (FR)

(**) Term: **15 Years**

(21) Appl. No.: **29/669,961**

(22) Filed: **Nov. 13, 2018**

(51) **LOC (12) Cl.** **03-01**

(52) **U.S. Cl.**
USPC **D3/318**

(58) **Field of Classification Search**
USPC D3/232–233, 240–243, 245–246
CPC .. A44C 5/18; A44C 5/20; A44C 5/185; A44C 5/2009; A44C 5/2014
See application file for complete search history.

(56) **References Cited**

U.S. PATENT DOCUMENTS

D132,694 S	*	6/1942	Appel	D3/326
D377,120 S	*	1/1997	Fendi	D11/200
D594,652 S		6/2009	Guyon et al.		
D626,332 S		11/2010	Guyon et al.		
D648,122 S		11/2011	Guyon et al.		
D648,123 S		11/2011	Guyon et al.		
D657,140 S		4/2012	Guyon et al.		
D657,556 S		4/2012	Guyon et al.		
D658,873 S		5/2012	Guyon et al.		
D696,861 S		1/2014	Guyon et al.		

(Continued)

OTHER PUBLICATIONS

Louis Vuitton handbag hardware. Blog [online]. Jessie's Nonsense, Sep. 24, 2018 [retrieved on Jan. 3, 2020]. Retrieved from the

Internet: U<URL:https://jessieshopstoomuch.com/2018/09/24/review-of-louis-vuitton-favorite-mm/> (Year: 2018).*

(Continued)

Primary Examiner — Holly H Baynham

(74) *Attorney, Agent, or Firm* — Gottlieb, Rackman & Reisman PC

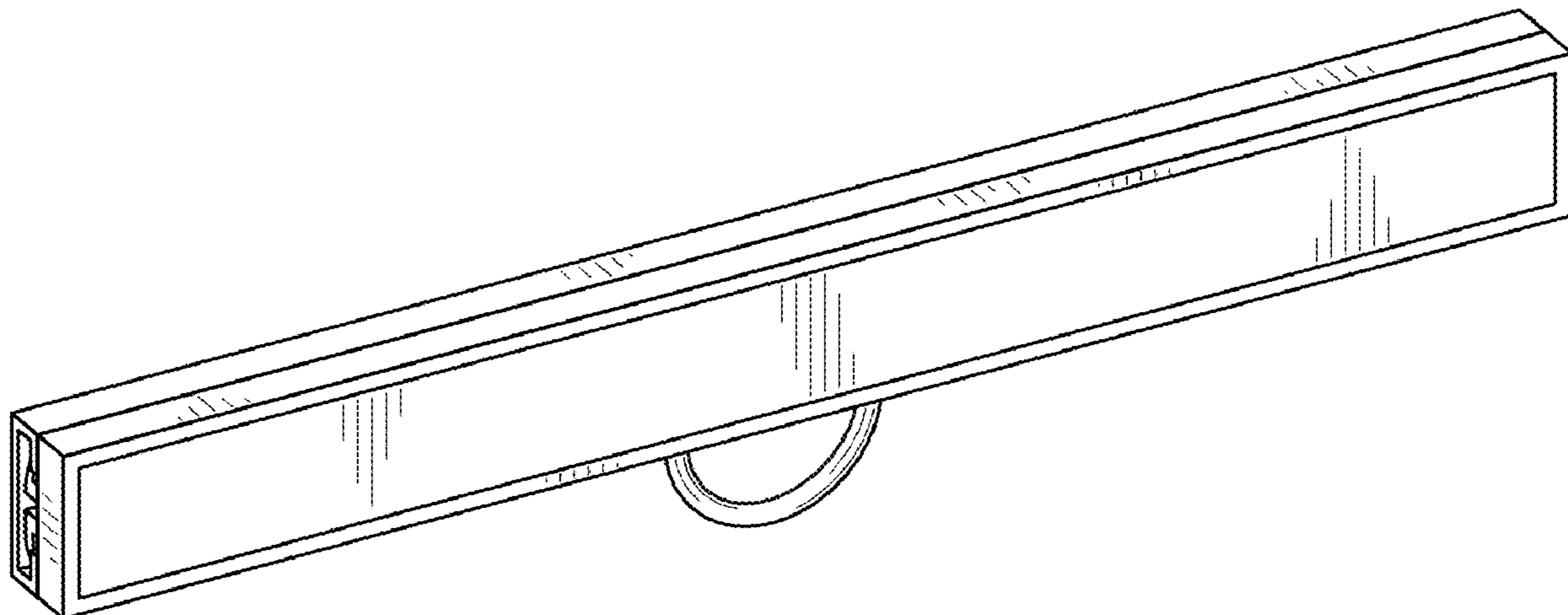
(57) **CLAIM**

The ornamental design for a removable brooch, as shown and described.

DESCRIPTION

FIG. 1 is a front perspective view of a removable brooch showing our new design; FIG. 2 is a front view; FIG. 3 is a rear view; FIG. 4 is a right side view; FIG. 5 is a left side view; FIG. 6 is a top plan view; FIG. 7 is a bottom plan view; FIG. 8 is an additional front perspective view depicting the removable brooch on a handbag; FIG. 9 is an additional front perspective view of FIG. 8 depicting an alternative position of the brooch on a handbag; FIG. 10 is an additional front perspective view of FIG. 8 depicting an alternative position of the brooch on a handbag; FIG. 11 is a rear perspective view depicting an alternative position of the brooch on a handbag; and, FIG. 12 additional rear perspective view of FIG. 11 depicting an alternative position of the brooch on a handbag. The broken lines shown in FIGS. 8-12 are included to depict a handbag with the removable brooch that forms no part of the claimed design.

1 Claim, 7 Drawing Sheets



(56)

References Cited

U.S. PATENT DOCUMENTS

D696,862 S 1/2014 Guyon et al.
D804,824 S * 12/2017 Lopez Montoya D3/318

OTHER PUBLICATIONS

Longchamp, Spring Dandy Au Feminin Summer Feline Amazone,
Spring 2019, Catalog, 2018, pp. 36, 37.

* cited by examiner

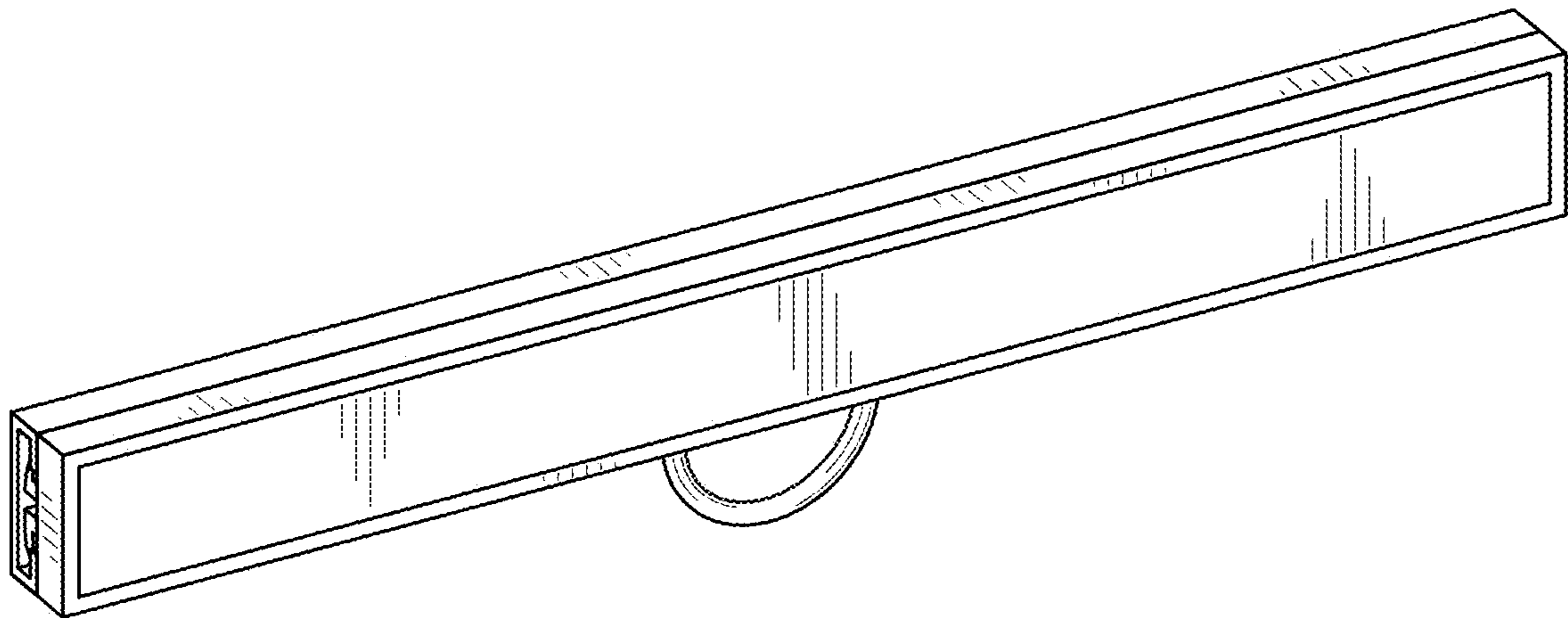


FIG. 1

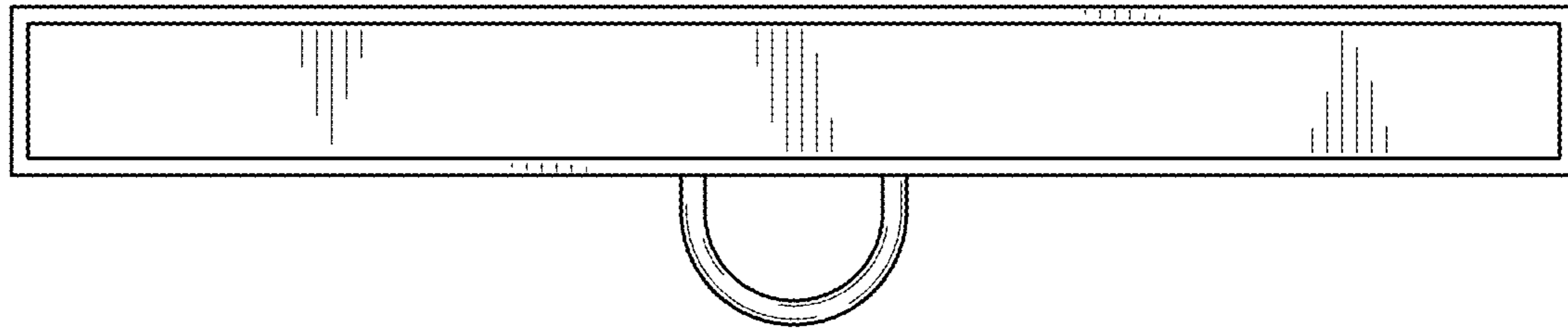


FIG. 2

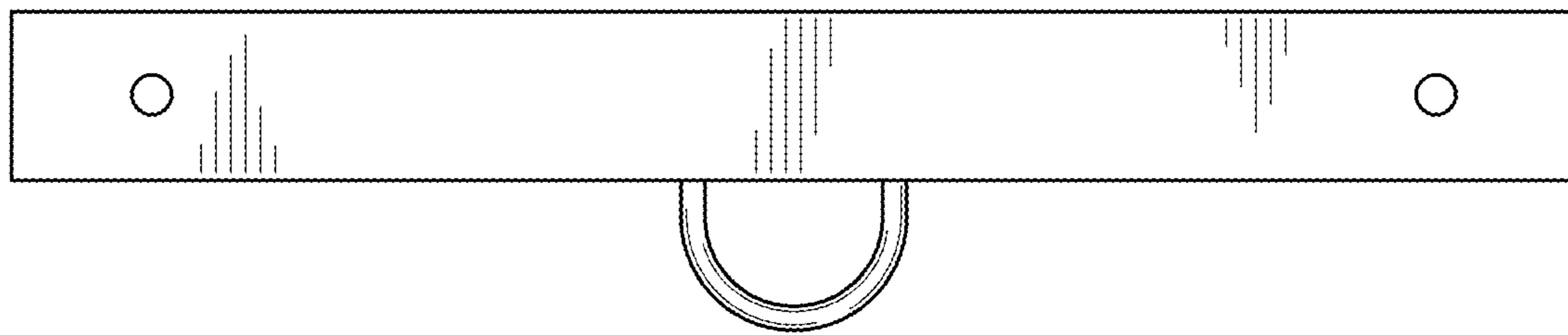


FIG. 3

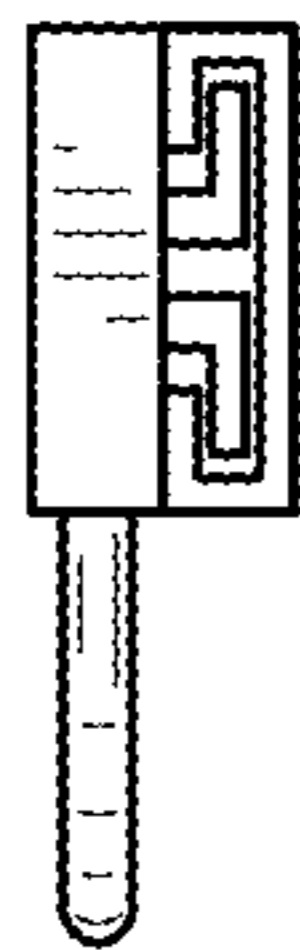


FIG. 4

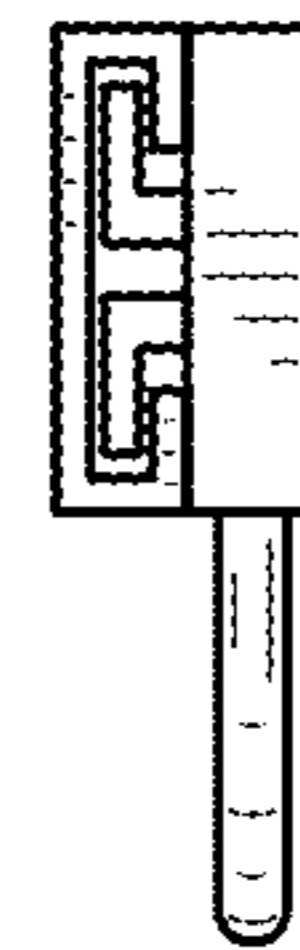


FIG. 5



FIG. 6

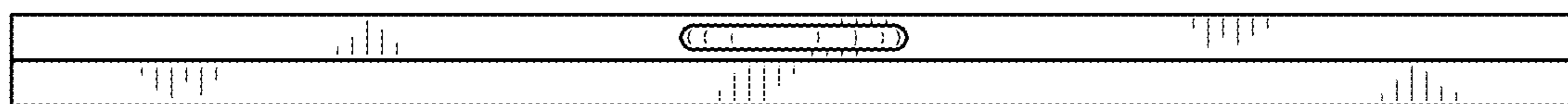


FIG. 7

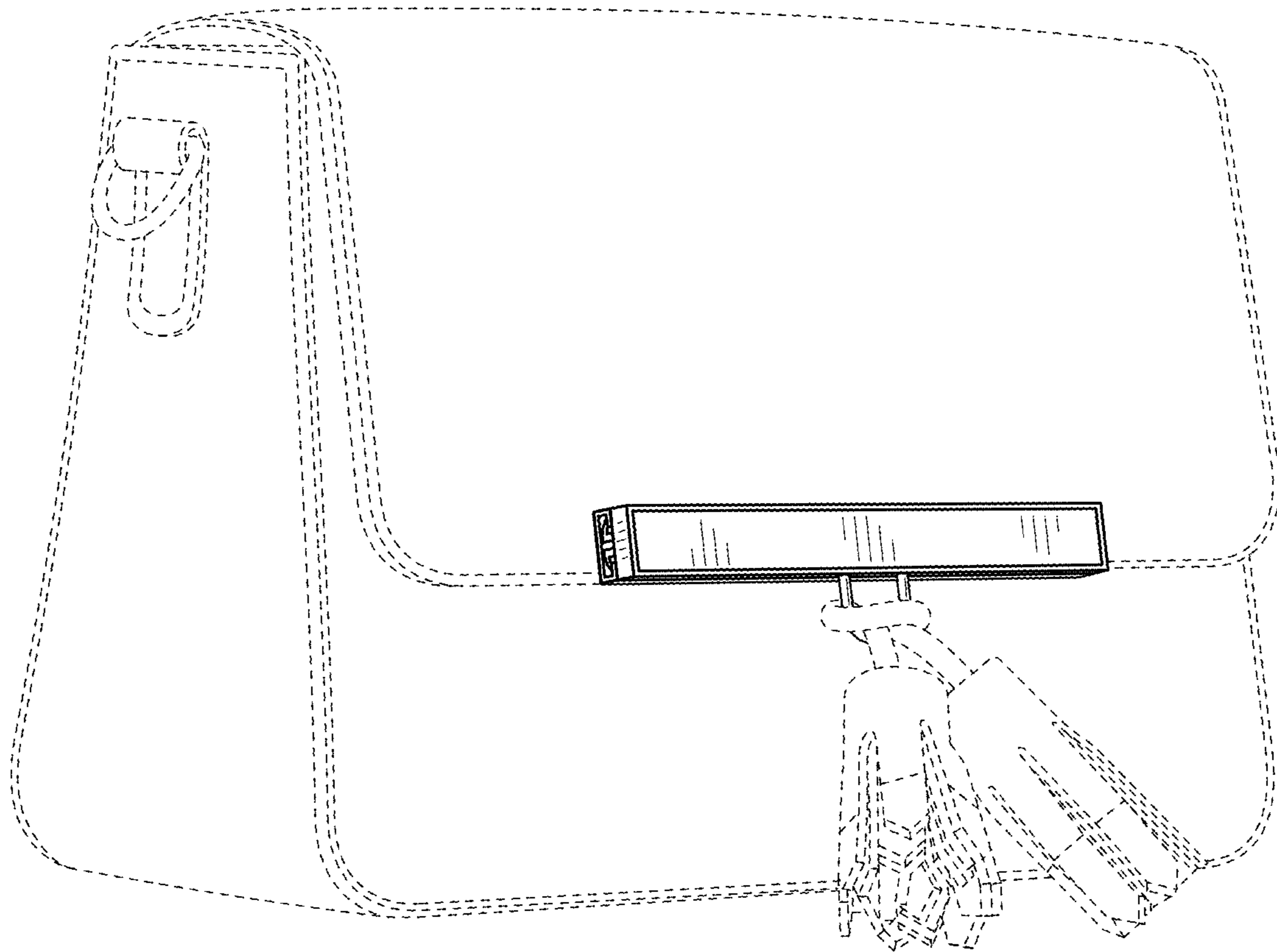


FIG. 8

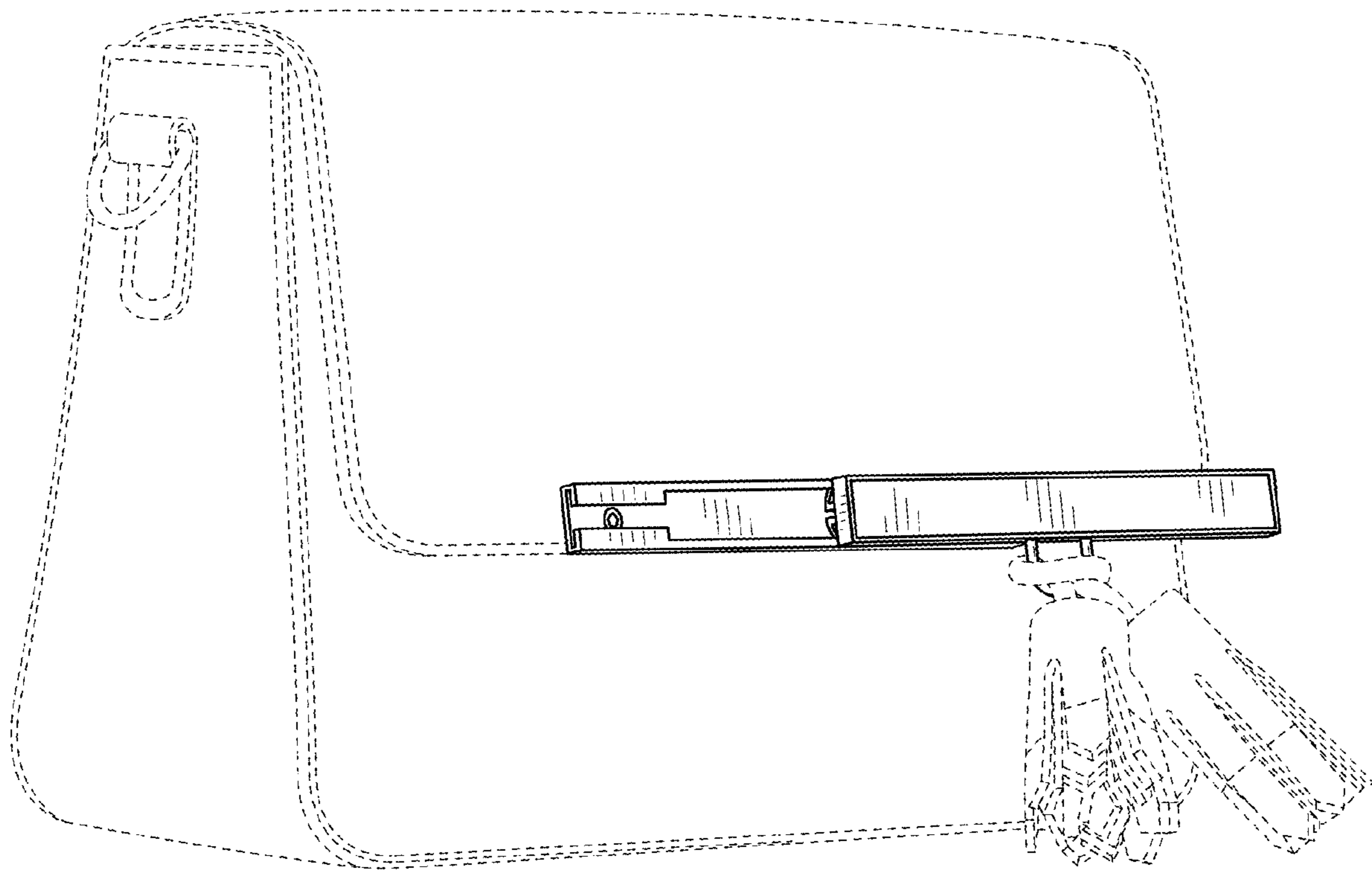


FIG. 9

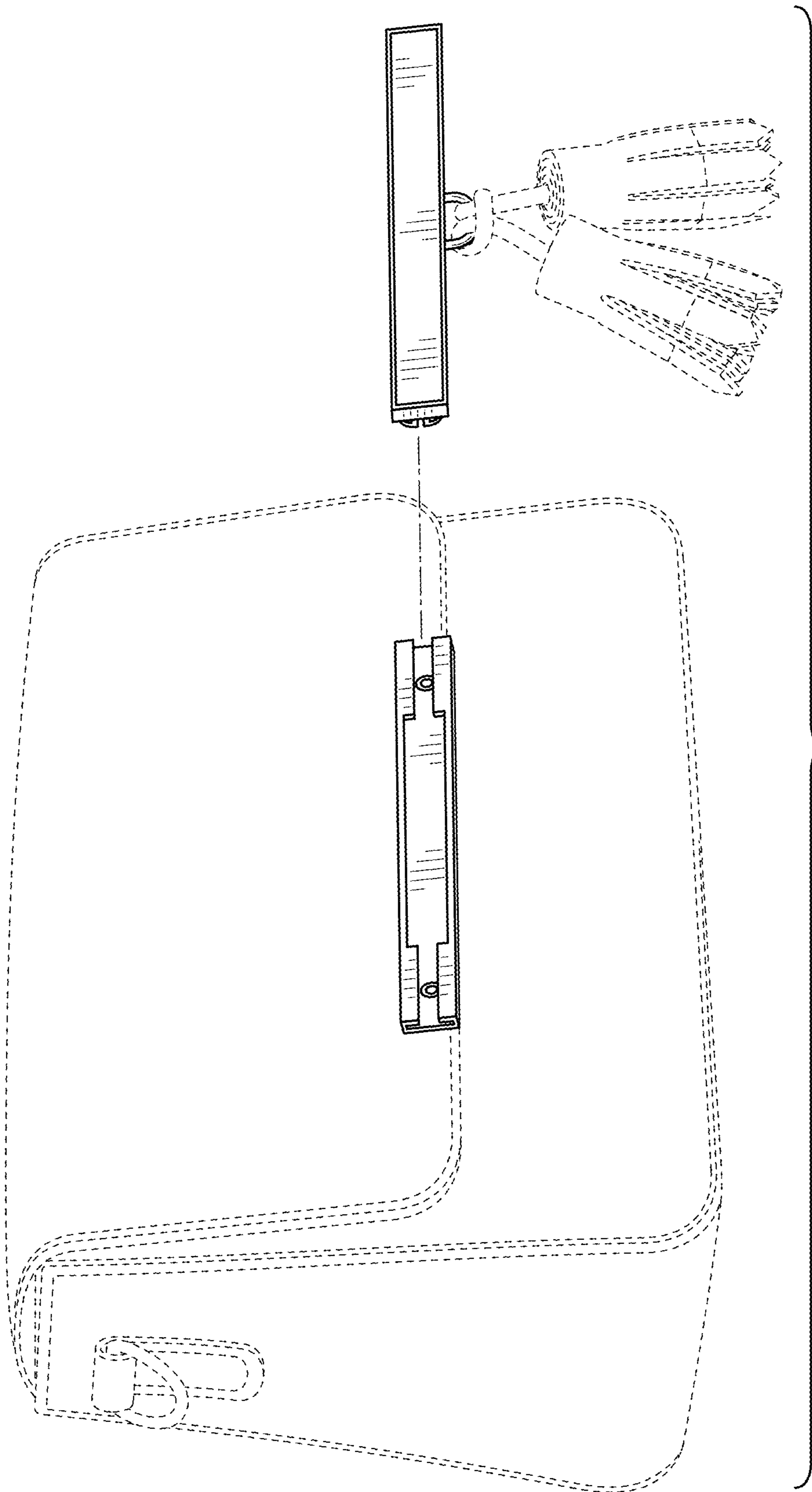


FIG. 10

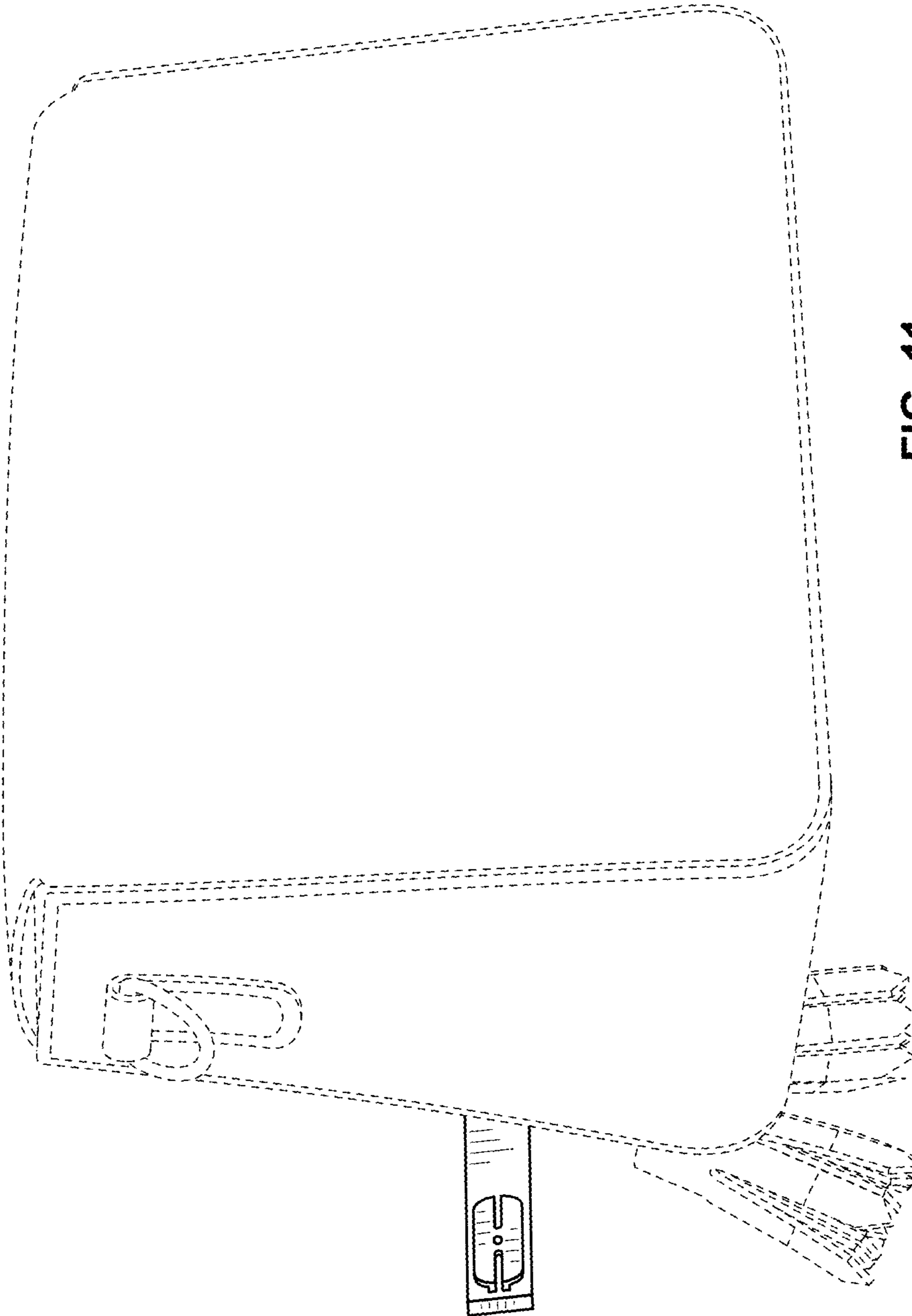


FIG. 11

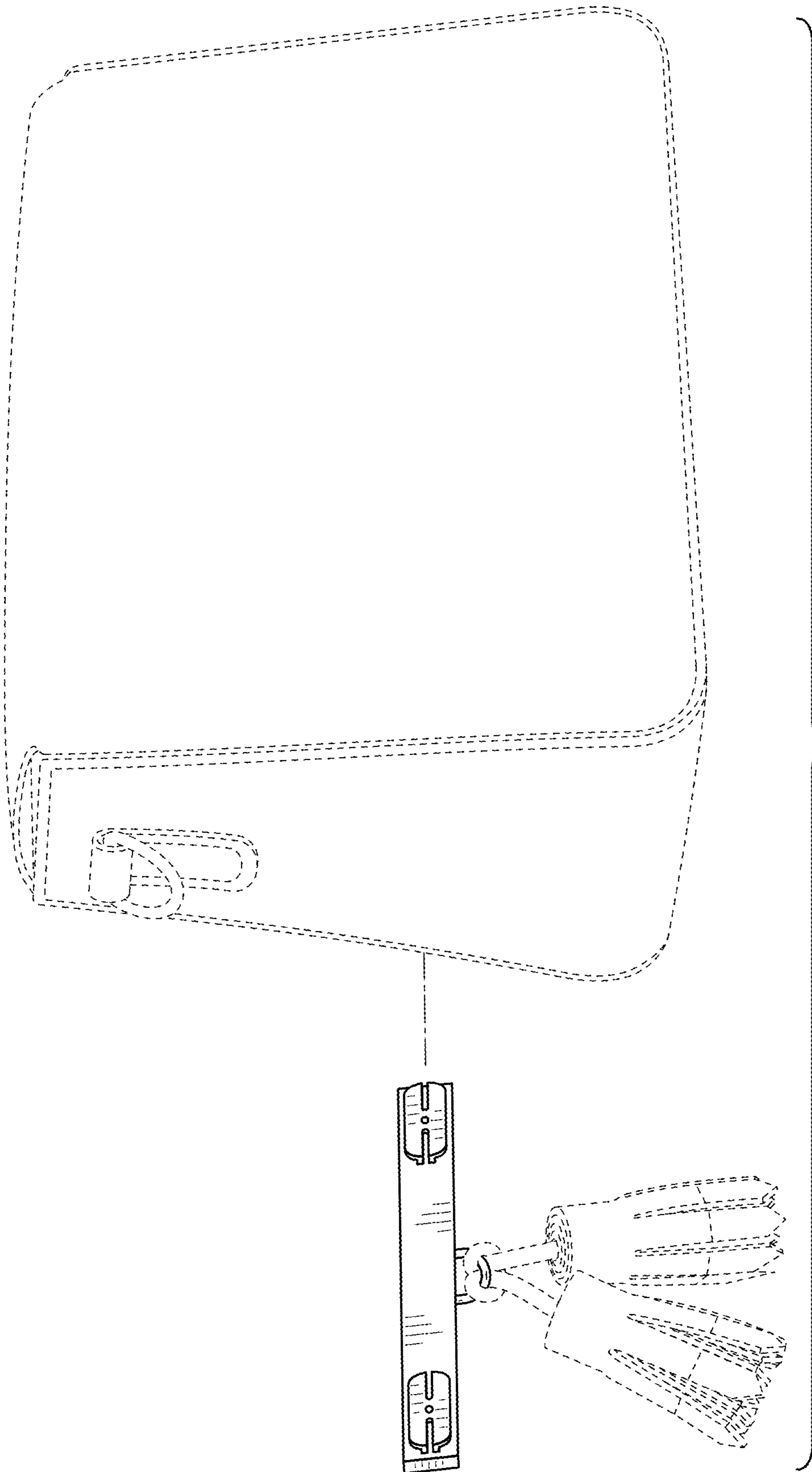


FIG. 12