



US00D876094S

(12) **United States Design Patent**  
**Gomez et al.**

(10) **Patent No.:** **US D876,094 S**

(45) **Date of Patent:** **\*\* Feb. 25, 2020**

(54) **PULLOUT BASKET**

(71) Applicant: **Hardware Resources, Inc.**, Bossier City, LA (US)

(72) Inventors: **Joel Gomez**, Garland, TX (US); **Justin Corless**, Dallas, TX (US); **Marisa Sanchez**, Shreveport, LA (US); **Jay Pannebaker**, Shreveport, LA (US)

(73) Assignee: **HARDWARE RESOURCES, INC.**, Bossier City, LA (US)

(\*\*) Term: **15 Years**

(21) Appl. No.: **29/645,983**

(22) Filed: **Apr. 30, 2018**

(51) **LOC (12) Cl.** ..... **03-01**

(52) **U.S. Cl.**  
USPC ..... **D3/318**

(58) **Field of Classification Search**  
USPC ..... D3/318, 306; D6/566; D8/370  
CPC ..... A47J 137/1295; B25G 1/102; B25G 1/00; B65D 7/20  
See application file for complete search history.

(56) **References Cited**

**U.S. PATENT DOCUMENTS**

1,386,878	A *	8/1921	Lamp	.....	B65D 21/0224
					211/126.11
2,968,418	A *	1/1961	Stoddard	.....	B65D 7/20
					206/509
2,980,282	A *	4/1961	Young, Jr.	.....	B65D 7/20
					206/509
D246,827	S *	1/1978	Crawford	.....	D8/370
5,996,948	A *	12/1999	Skvorecz	.....	B65D 7/20
					126/40
6,491,173	B1 *	12/2002	Costa	.....	A47B 88/427
					211/126.15

D546,101	S *	7/2007	Knight	.....	D6/705.6
D563,208	S *	3/2008	Baun	.....	D8/370
D697,310	S *	1/2014	Snider	.....	D3/306
D700,779	S *	3/2014	Noll	.....	D3/304
D702,439	S *	4/2014	Noll	.....	D3/304
9,596,931	B1 *	3/2017	Nimgulkar	.....	A47B 88/49
D814,189	S *	4/2018	Nimgulkar	.....	D3/306
10,064,486	B1 *	9/2018	Sun	.....	A47B 88/477

\* cited by examiner

*Primary Examiner* — Holly H Baynham

(74) *Attorney, Agent, or Firm* — Schultz & Associates, P.C.

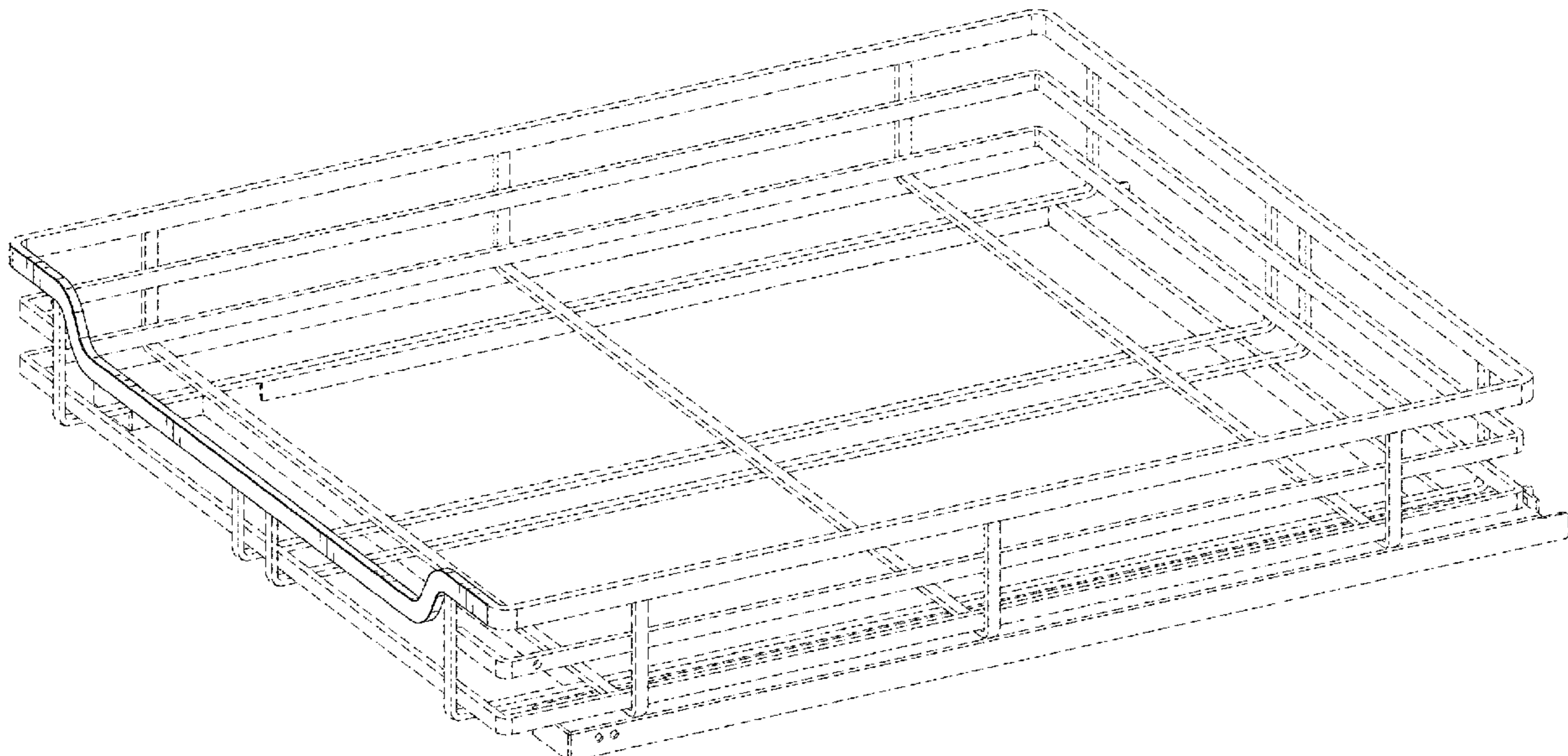
(57) **CLAIM**

The ornamental design for a pullout basket, as shown and described.

**DESCRIPTION**

FIG. 1 is a perspective view of a pullout basket shown independent of environment for ease of disclosure only; FIG. 2 is a front elevation view thereof, shown independent of environment for ease of disclosure only; FIG. 3 is a rear elevation view thereof, shown independent of environment for ease of disclosure only; FIG. 4 is right side elevation view thereof, shown independent of environment for ease of disclosure only; and, FIG. 5 is a left side elevation view thereof, shown independent of environment for ease of disclosure only; FIG. 6 is a top plan view thereof, shown independent of environment for ease of disclosure only; and, FIG. 7 is a bottom plan view thereof, shown independent of environment for ease of disclosure only. The broken lines showing the pull out basket structure are for the purposes of illustrating environment and form no part of the claimed design.

**1 Claim, 5 Drawing Sheets**



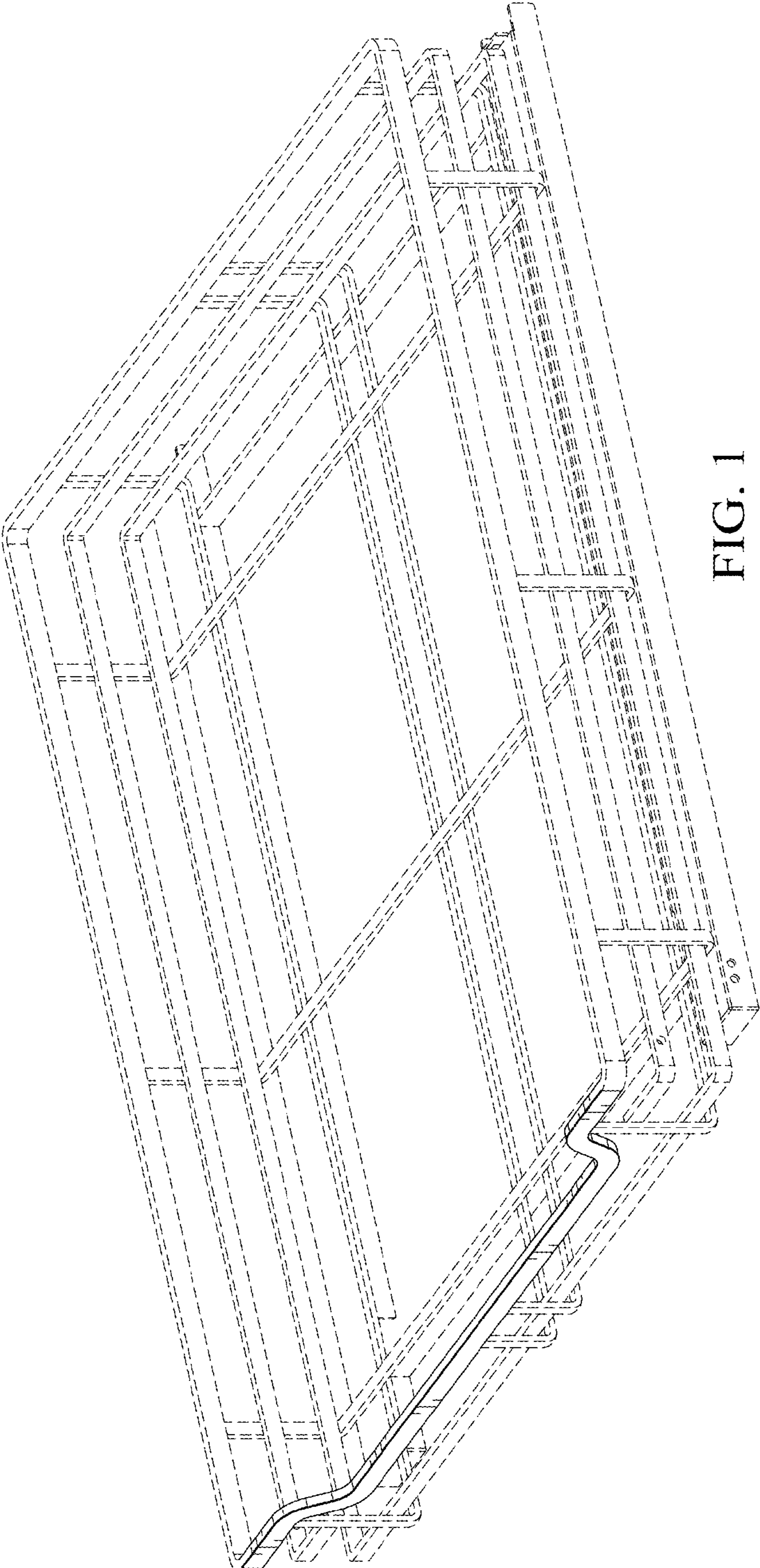


FIG. 1

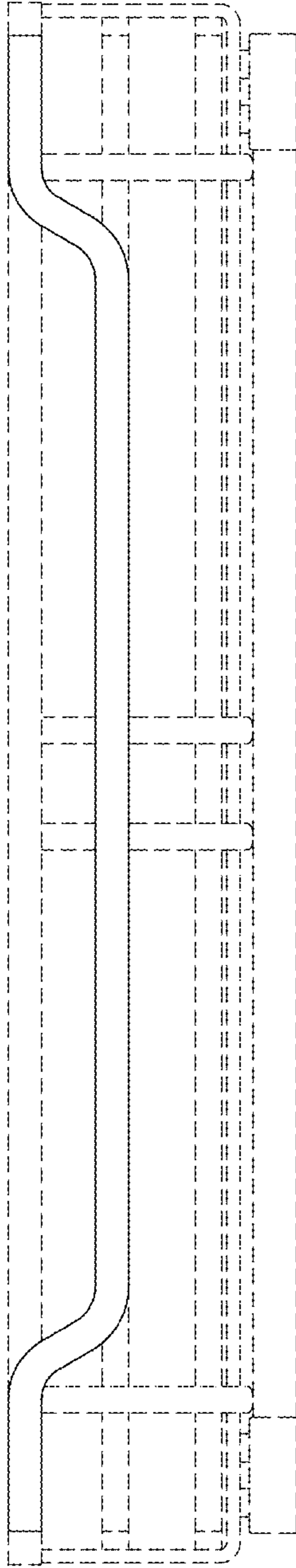


FIG. 2

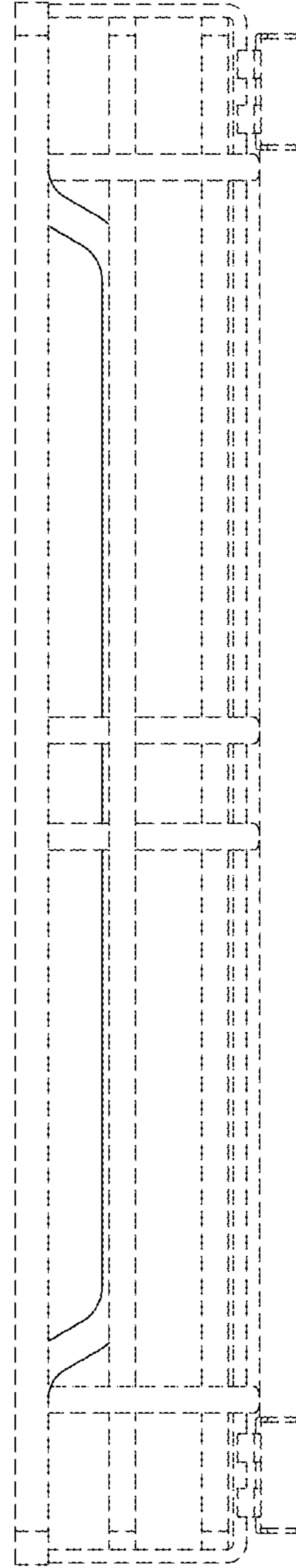


FIG. 3



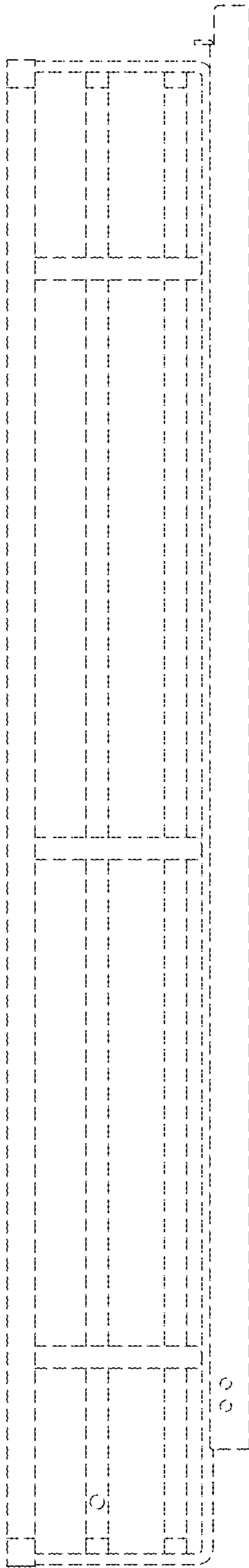


FIG. 4

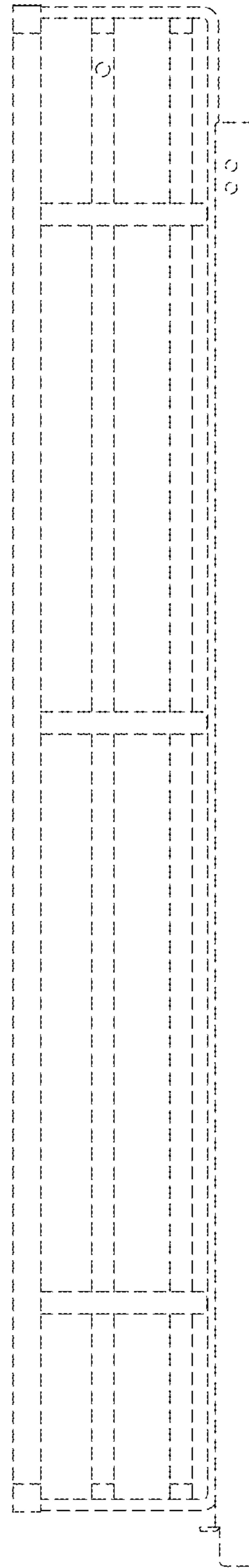


FIG. 5

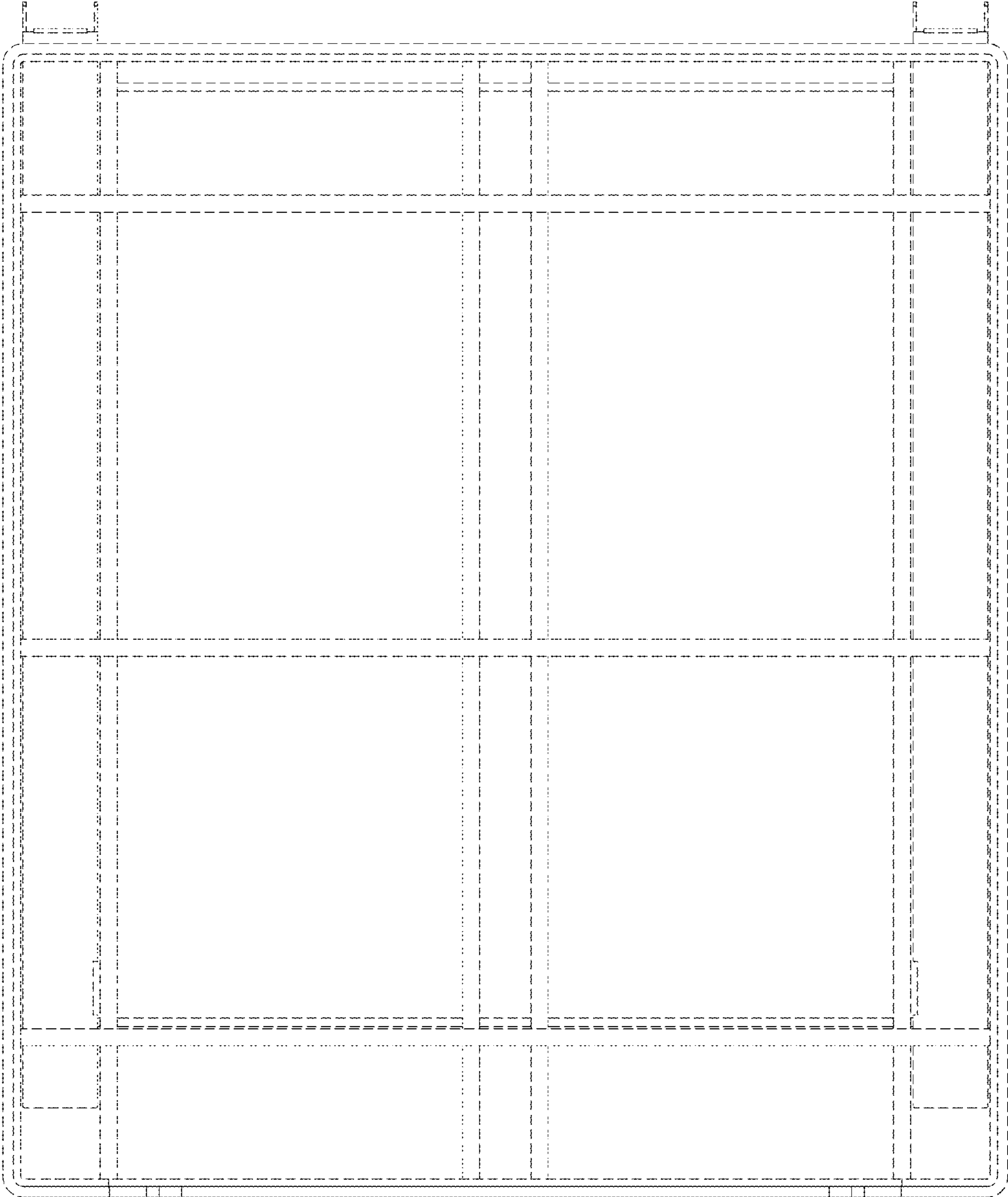


FIG. 6

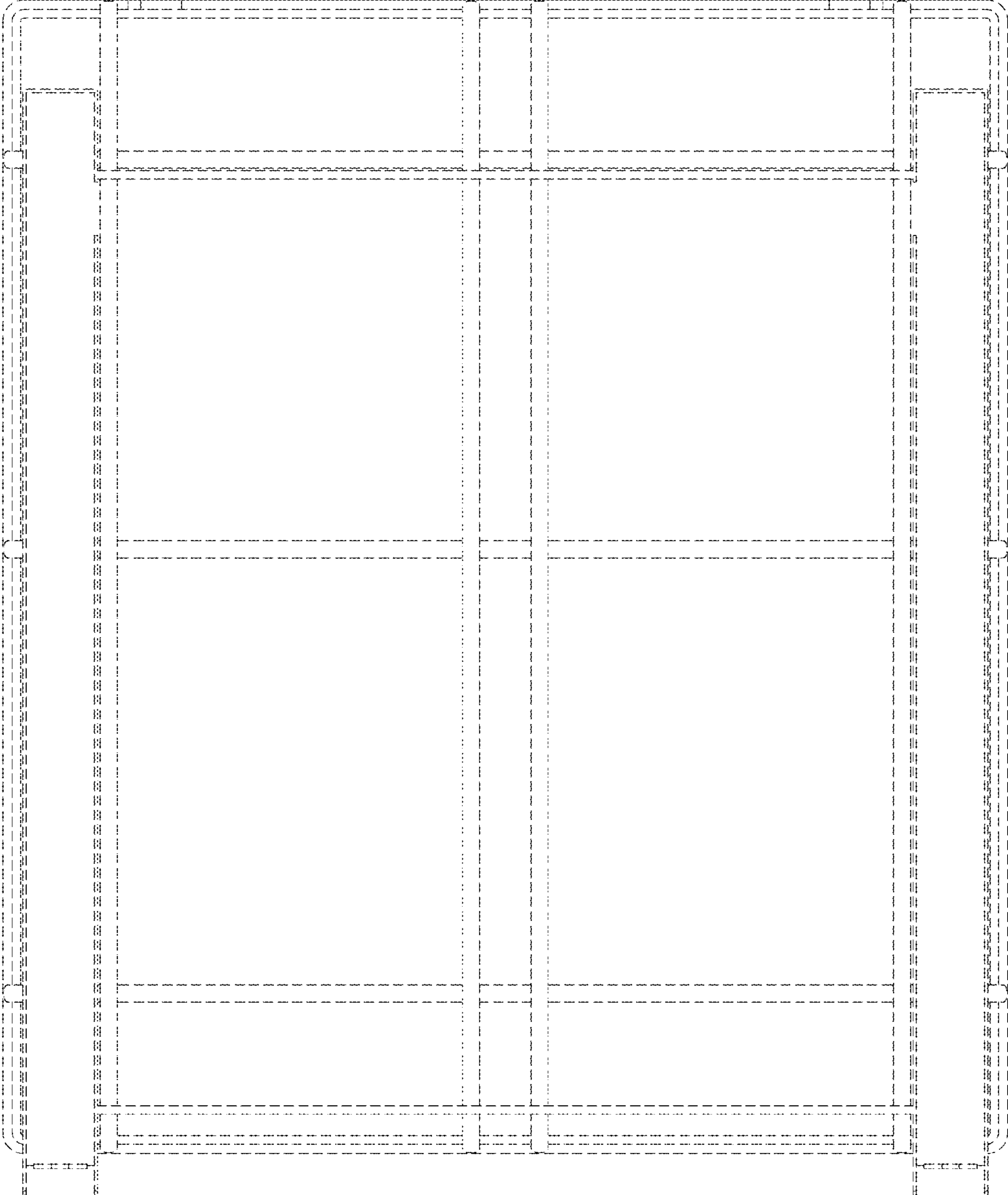


FIG. 7