



US00D876092S

(12) **United States Design Patent**  
**Guo**

(10) **Patent No.:** **US D876,092 S**

(45) **Date of Patent:** **\*\* Feb. 25, 2020**

(54) **CARD SLOT STORAGE BOX**

(71) Applicant: **Wen Guo**, Shenzhen (CN)

(72) Inventor: **Wen Guo**, Shenzhen (CN)

(\*\*) Term: **15 Years**

(21) Appl. No.: **29/635,898**

(22) Filed: **Feb. 5, 2018**

(51) **LOC (12) Cl.** ..... **03-01**

(52) **U.S. Cl.**  
USPC ..... **D3/295**

(58) **Field of Classification Search**  
USPC ..... D3/203.1, 203.3, 205, 260, 272, 273,  
D3/274, 275, 276, 279, 280, 281, 282,  
D3/283, 284, 292, 294, 295, 296, 297,  
D3/302, 315, 319, 901, 903, 905  
CPC ..... A45C 5/04; A45C 15/04; A45C 11/00;  
A45C 11/008; A45C 11/16  
See application file for complete search history.

(56) **References Cited**

**U.S. PATENT DOCUMENTS**

D325,127 S *	4/1992	Diaz	.....	D3/284
D385,111 S *	10/1997	Dickinson	.....	D3/304
5,915,553 A *	6/1999	Brown	.....	B25H 3/022 206/372
D421,678 S *	3/2000	Levy	.....	D3/279
D477,464 S *	7/2003	Cang	.....	D3/294
D670,909 S *	11/2012	Price	.....	D3/260
8,468,740 B1 *	6/2013	Ryckman	.....	A01K 97/06 206/315.11
D701,047 S *	3/2014	Sanchez	.....	D3/319
D740,019 S *	10/2015	Hynek	.....	D3/205
D770,770 S *	11/2016	White	.....	D3/295
D816,323 S *	5/2018	Zhuang	.....	D3/205
D830,059 S *	10/2018	Hartt	.....	D3/302

D839,595 S *	2/2019	Asher	.....	D3/295
D844,985 S *	4/2019	Shelffo	.....	D3/293
2007/0234636 A1 *	10/2007	Schwartz	.....	A01K 97/06 43/54.1

**FOREIGN PATENT DOCUMENTS**

CN	302247027	*	12/2012
CN	302545676	*	8/2013

\* cited by examiner

*Primary Examiner* — Barbara Fox

*Assistant Examiner* — Mary Shannon Malley

(74) *Attorney, Agent, or Firm* — Law Offices of Steven W. Weinrieb

(57) **CLAIM**

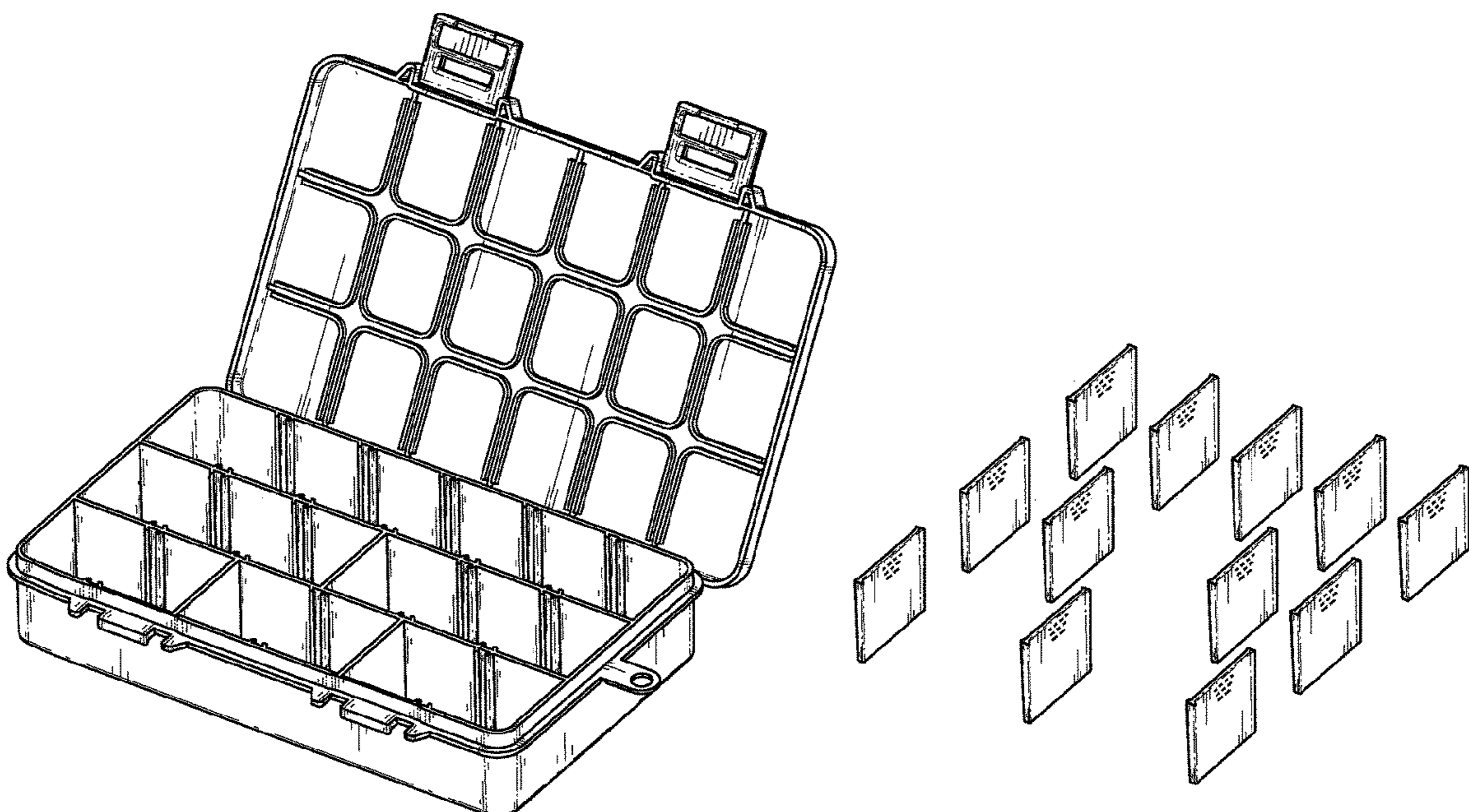
The ornamental design for a card slot storage box, as shown and described.

**DESCRIPTION**

FIG. 1 is a front, right side, top perspective view of a card slot storage box showing my new design;  
 FIG. 2 is a rear, left side, bottom perspective view thereof;  
 FIG. 3 is a top plan view thereof;  
 FIG. 4 is a bottom plan view thereof;  
 FIG. 5 is a left side elevational view thereof;  
 FIG. 6 is a right side elevational view thereof;  
 FIG. 7 is a rear elevational view thereof;  
 FIG. 8 is a front elevational view thereof;  
 FIG. 9 is a front, right side, top perspective, usage view thereof; and,  
 FIG. 10 is a front, right side, top perspective, usage view thereof with the compartment dividers removed from the box.

The broken lines depict portions of the card slot storage box that form no part of the claimed design.

**1 Claim, 10 Drawing Sheets**



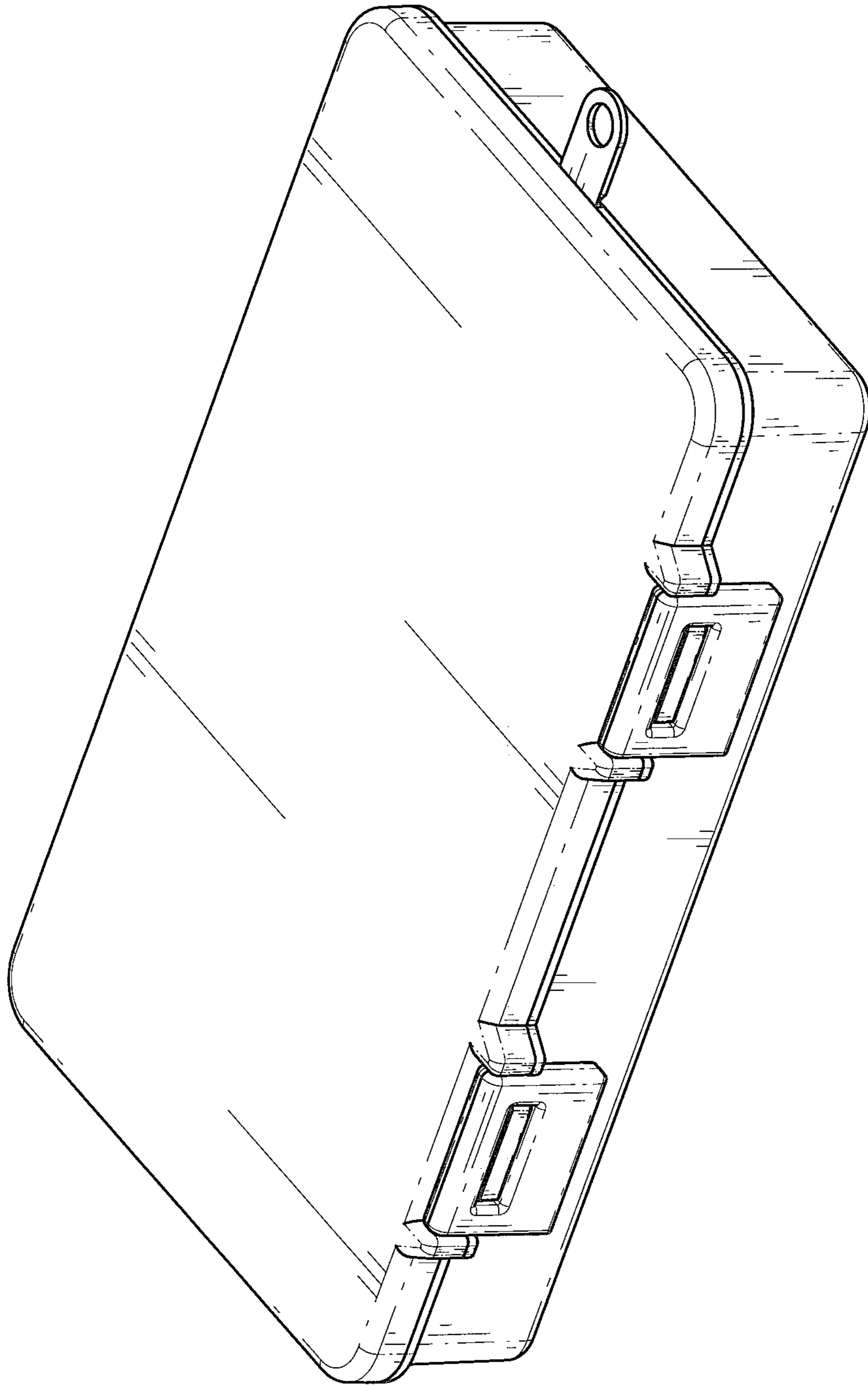


FIG. 1

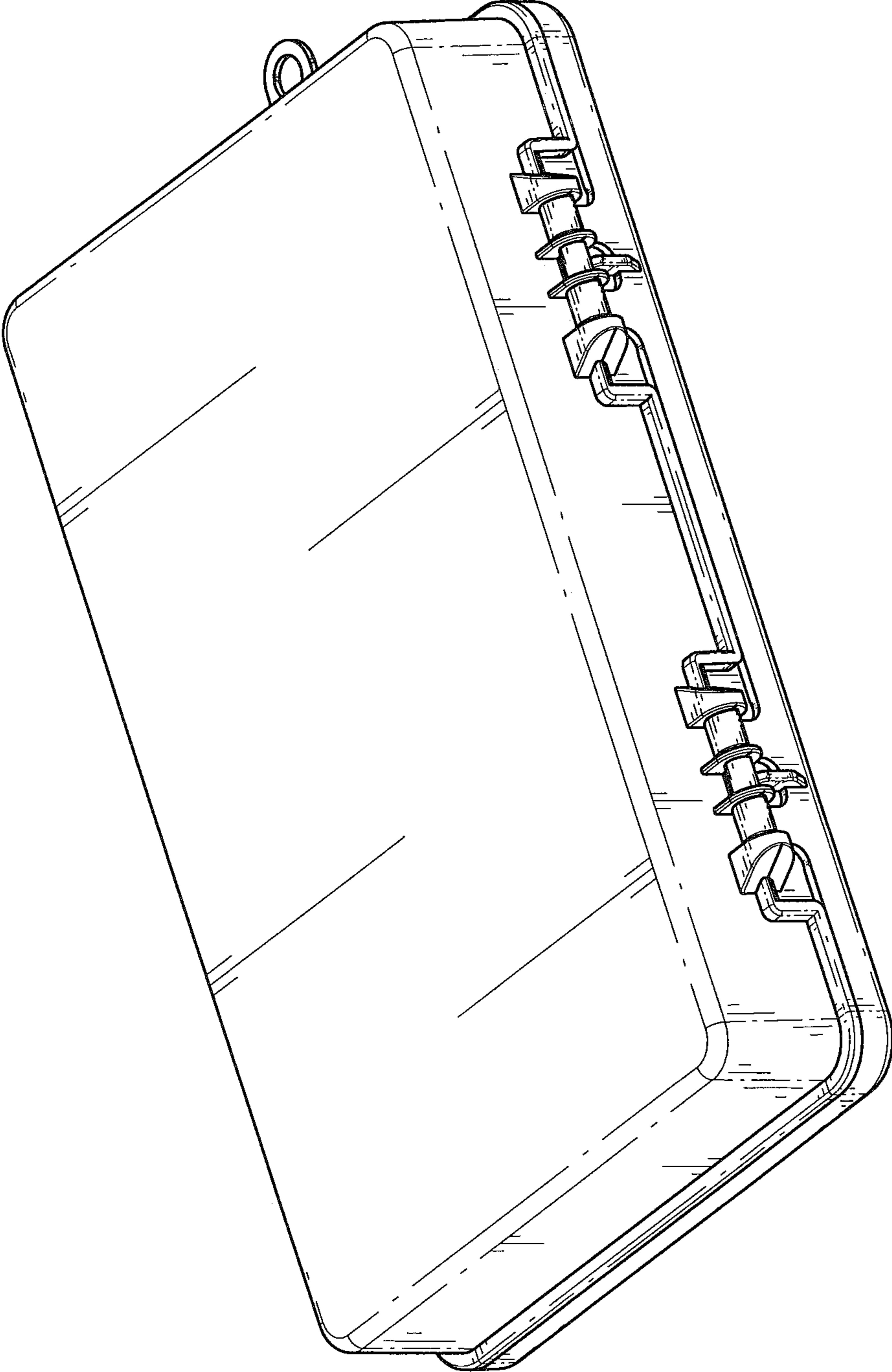


FIG. 2

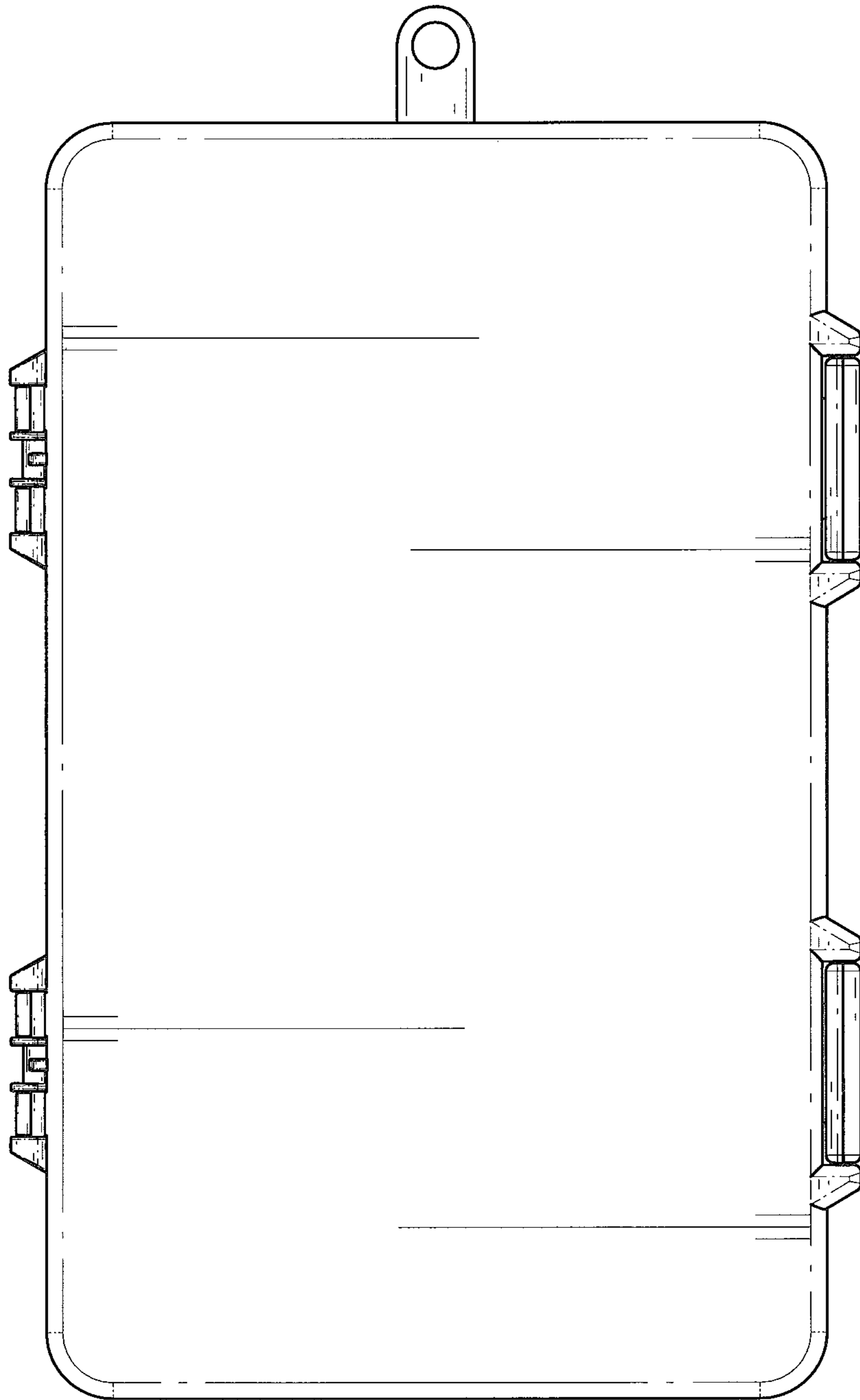


FIG. 3

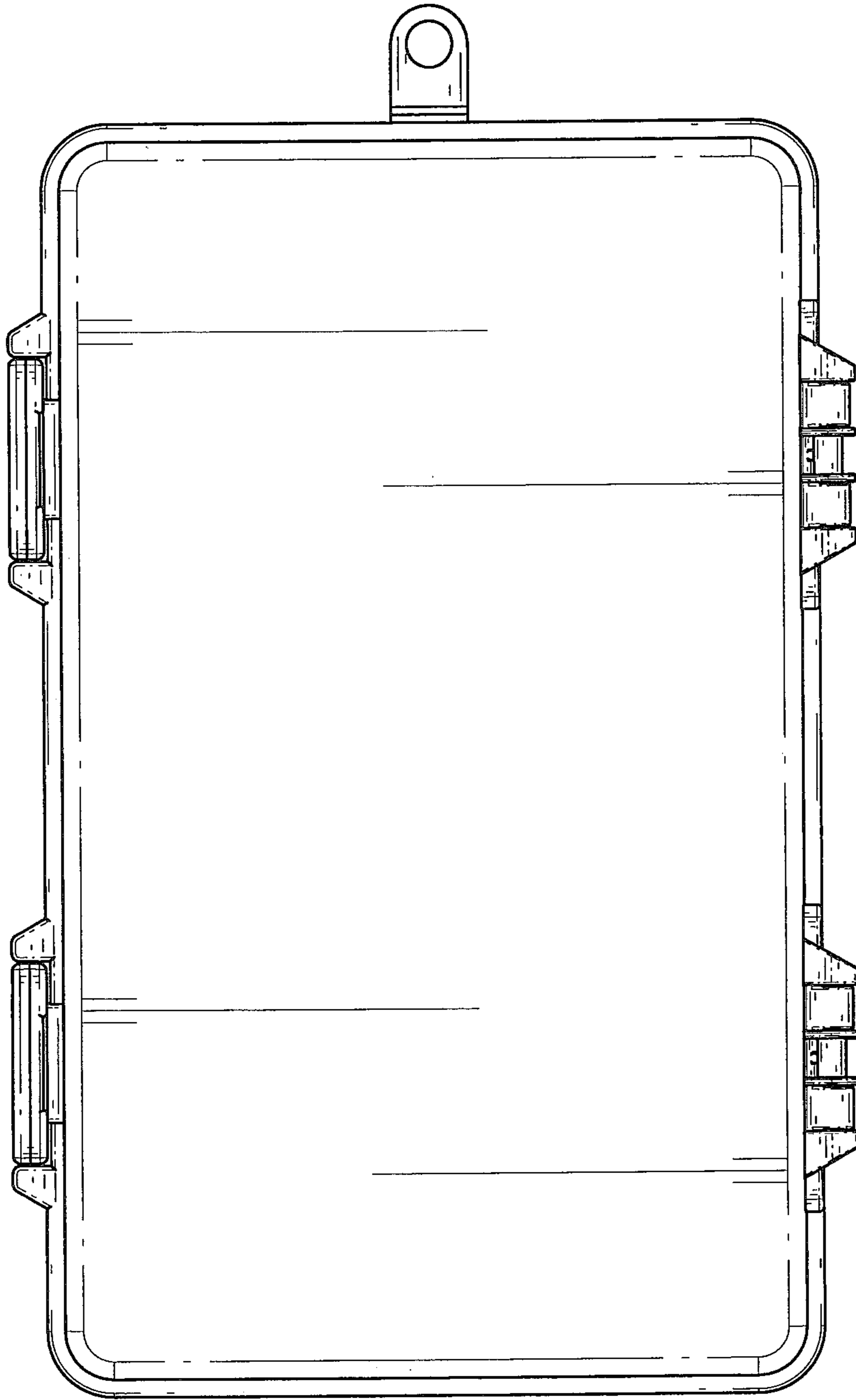


FIG. 4

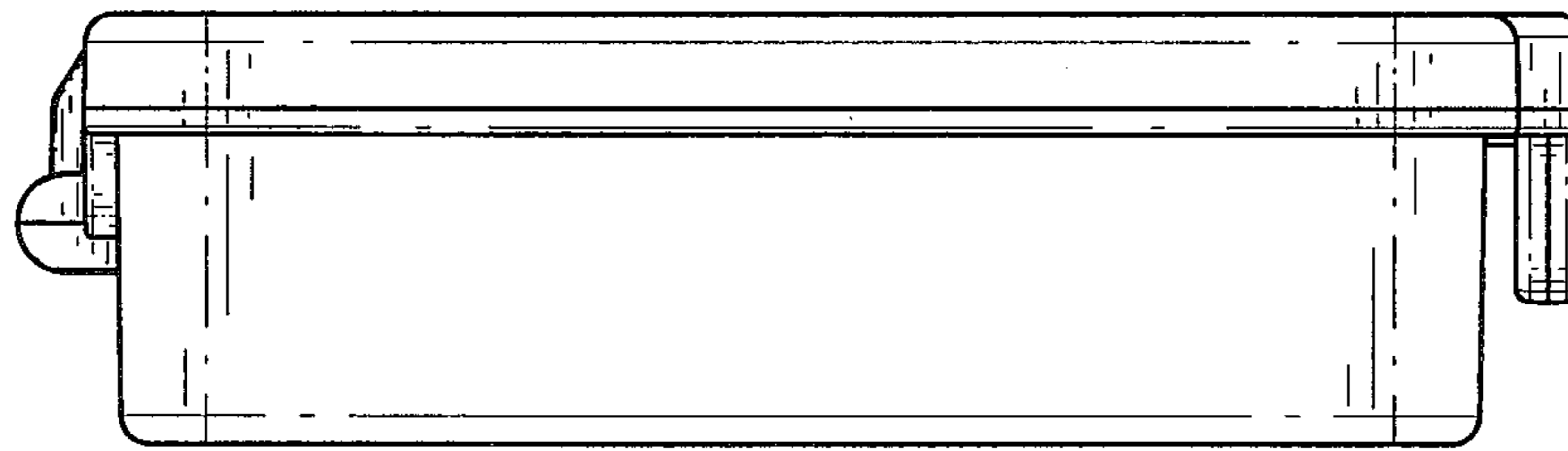


FIG. 5

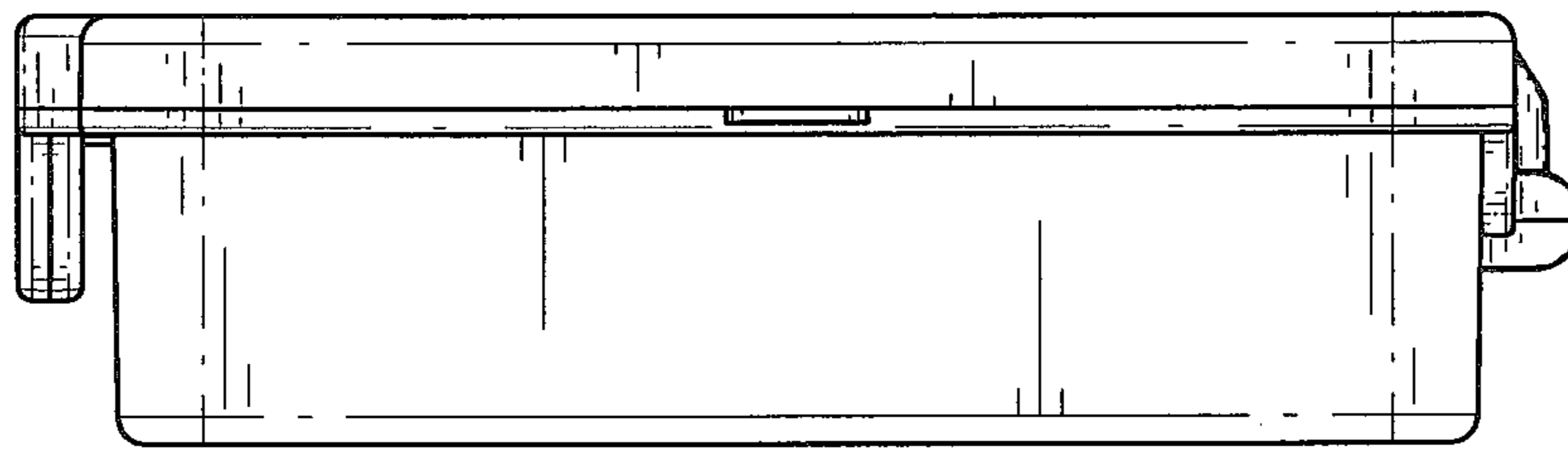


FIG. 6

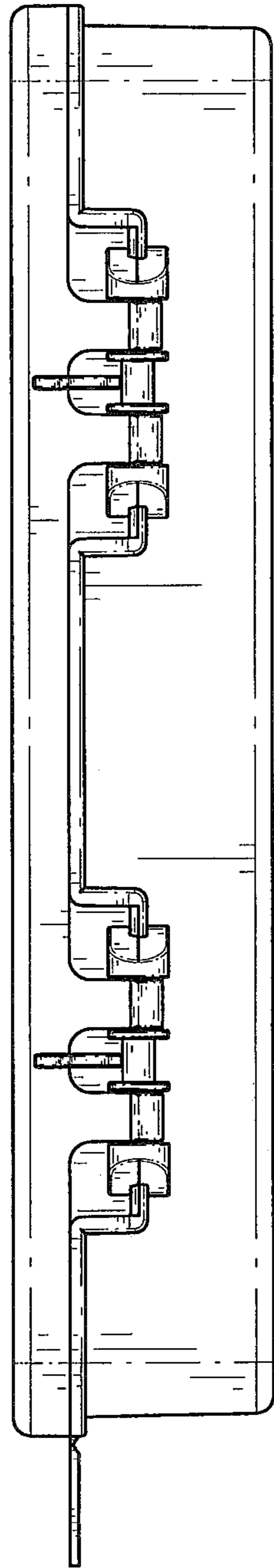


FIG. 7



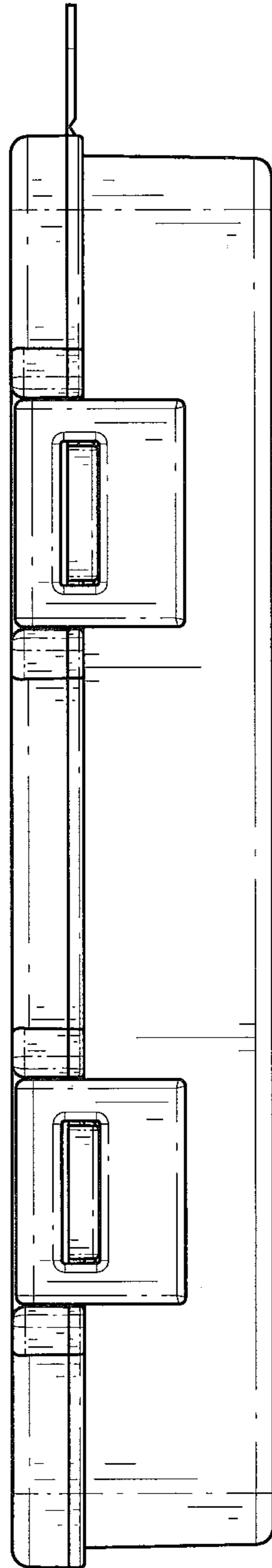


FIG. 8

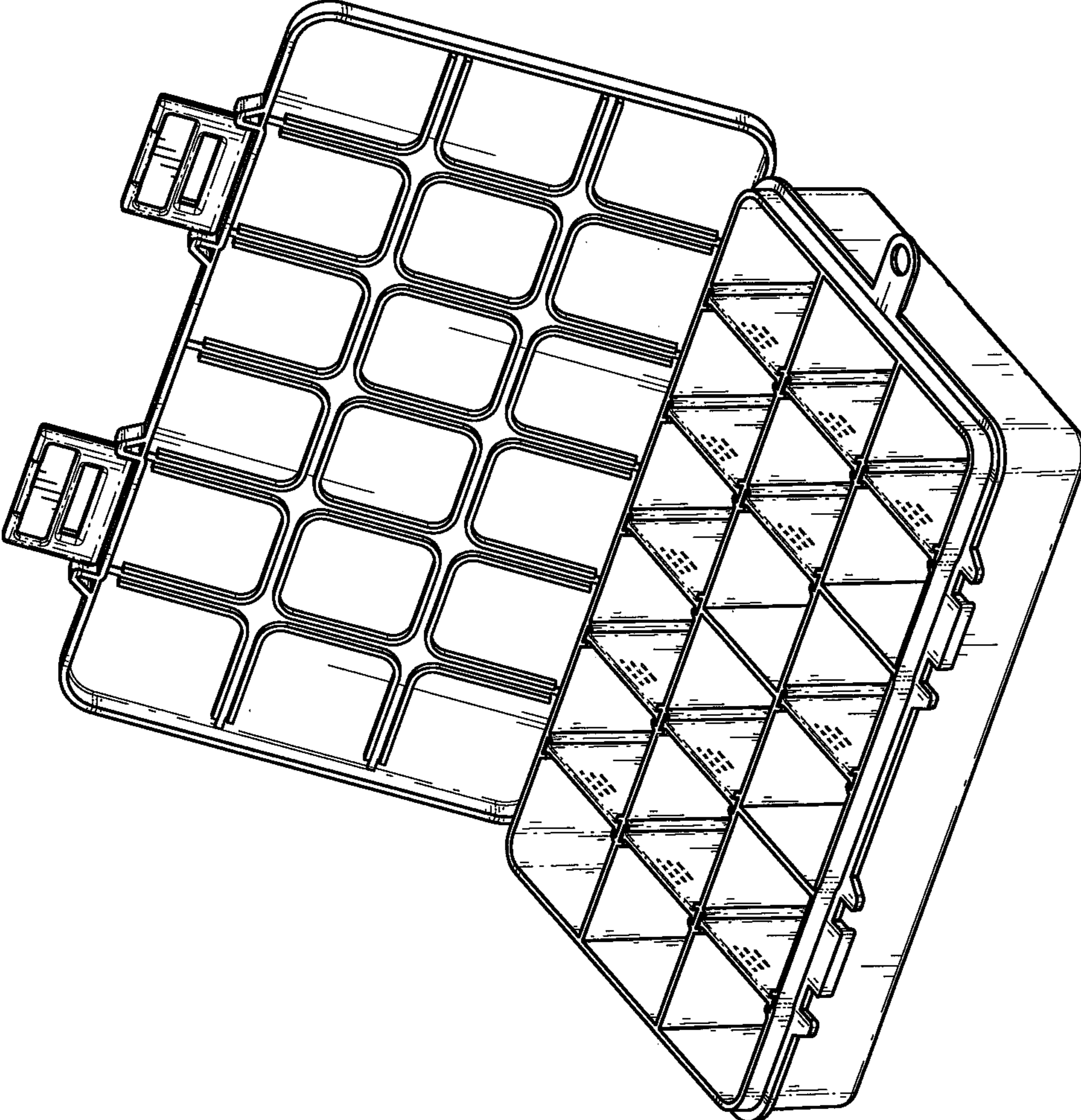


FIG. 9

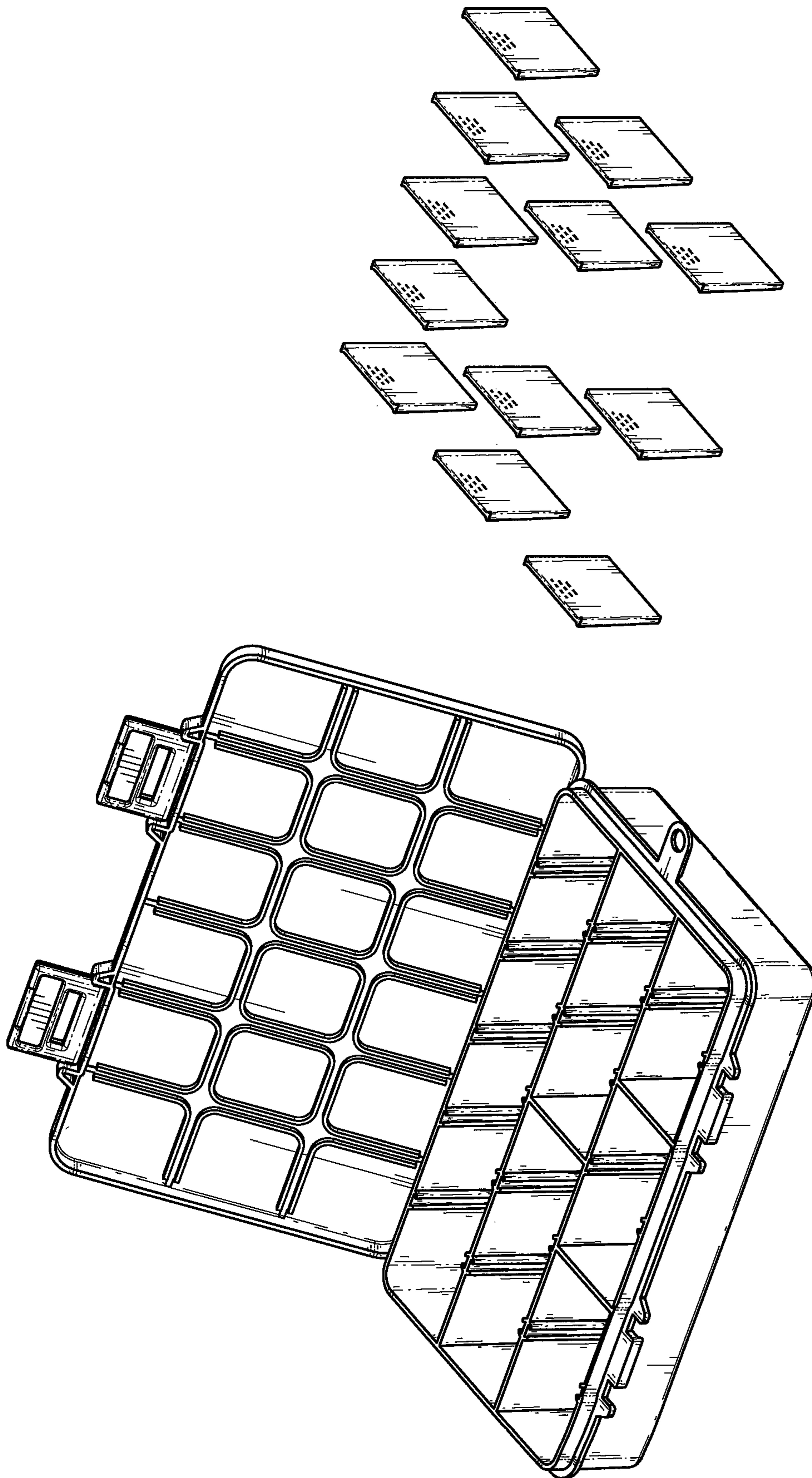


FIG. 10