



US00D876090S

(12) **United States Design Patent**
Stewart, III

(10) **Patent No.:** **US D876,090 S**

(45) **Date of Patent:** **** Feb. 25, 2020**

- (54) **AMMUNITION MAGAZINE DISPENSER**
- (71) Applicant: **Talmage P. Stewart, III**, Frederick, PA (US)
- (72) Inventor: **Talmage P. Stewart, III**, Frederick, PA (US)
- (**) Term: **15 Years**
- (21) Appl. No.: **29/667,227**
- (22) Filed: **Oct. 19, 2018**
- (51) **LOC (12) Cl.** **03-01**
- (52) **U.S. Cl.**
USPC **D3/262**
- (58) **Field of Classification Search**
USPC D3/201, 221, 225, 262, 272, 276, 315, D3/291; D7/605-607
CPC B65D 45/22; B65D 45/02; B65D 45/32; B65D 1/00; B65D 13/00; B65D 15/00; B65D 2543/00194; B65D 21/0201; F42B 39/00-30
See application file for complete search history.

5,649,642 A	7/1997	Mabry et al.	
6,202,908 B1	3/2001	Groover	
6,626,286 B2 *	9/2003	Boutet F42B 39/00 206/3
7,364,057 B2	4/2008	Carroll	
D600,443 S *	9/2009	Hinds D3/262
7,806,293 B2	10/2010	Altieri et al.	
8,104,640 B2	1/2012	Selvetti	
D712,141 S *	9/2014	Minneman D3/262
8,944,283 B2	2/2015	Shiell	
D737,571 S *	9/2015	Kostal D3/262
D737,572 S *	9/2015	Kostal D3/262
D741,597 S *	10/2015	Minneman D3/262
D749,843 S *	2/2016	Faifer D3/262
D758,726 S *	6/2016	Minneman D3/262
9,453,695 B2 *	9/2016	Luebke F41A 9/70
D771,379 S *	11/2016	Minneman D3/262
D771,380 S *	11/2016	Minneman D3/262
9,506,706 B2	11/2016	Higley	

(Continued)

Primary Examiner — Mitchell I. Siegel
(74) *Attorney, Agent, or Firm* — Bonini IP Law, LLC;
Frank J. Bonini, Jr.

(57) **CLAIM**

The ornamental design for an ammunition magazine dispenser, as shown and described.

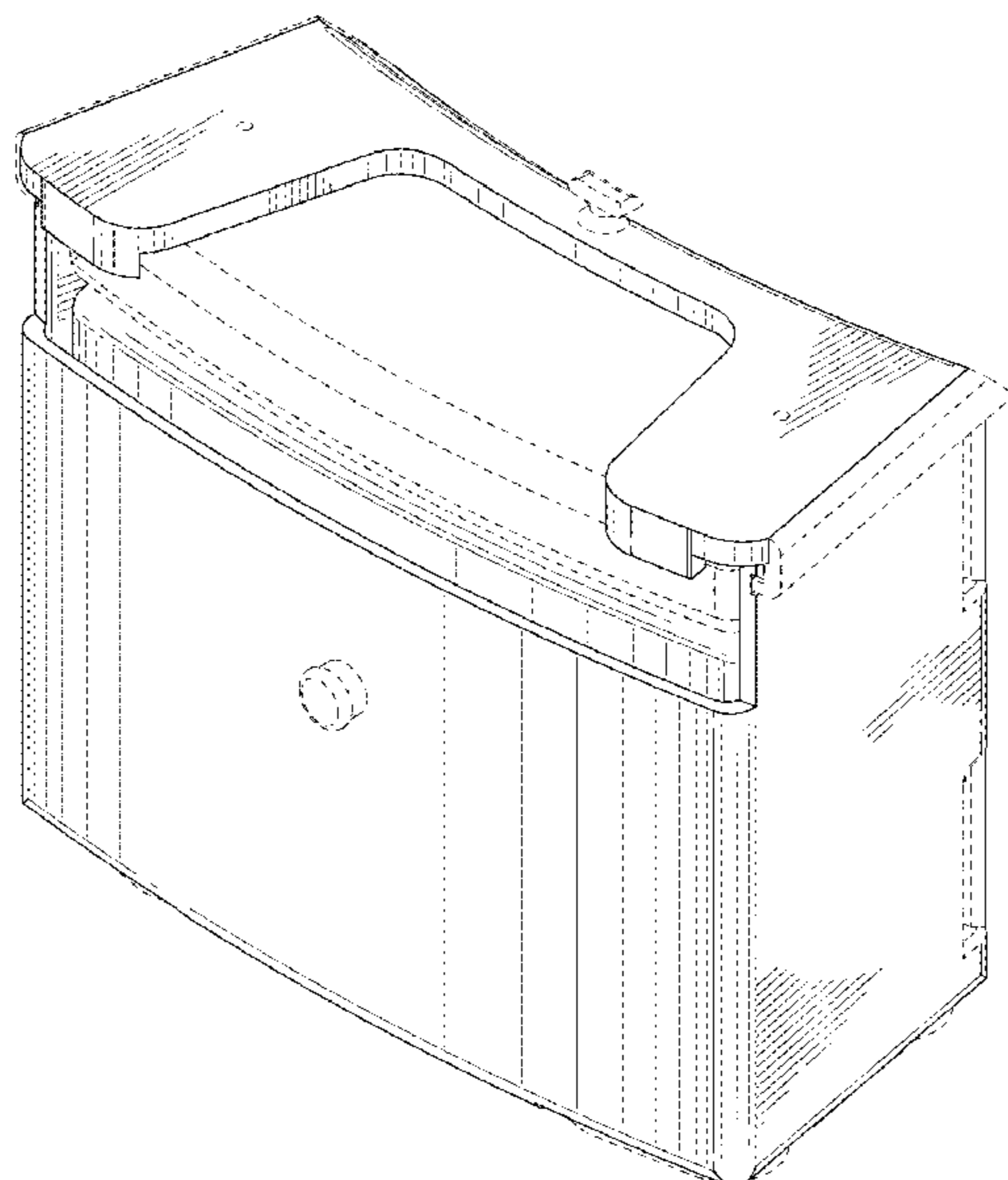
DESCRIPTION

FIG. 1 is a perspective view of an ammunition magazine dispenser according to my new design; FIG. 2 is a front elevation view thereof; FIG. 3 is a rear elevation view thereof; FIG. 4 is a right side elevation view thereof, the left side being a mirror image thereof; FIG. 5 is a top plan view thereof; and, FIG. 6 is a bottom plan view thereof. The broken lines in the figures are for the purpose of illustrating portions of the magazine dispenser and holder that form no part of the claimed design.

1 Claim, 5 Drawing Sheets

(56) **References Cited**
U.S. PATENT DOCUMENTS

1,120,244 A *	12/1914	Sachtlenben F42B 39/00 206/3
2,436,154 A *	2/1948	Signalness F42B 39/02 221/76
2,486,949 A *	11/1949	Hutchison F42B 39/00 206/3
3,039,650 A *	6/1962	Hoffmann F42B 39/00 206/509
3,757,933 A *	9/1973	Banta B65D 81/02 206/3
D237,611 S *	11/1975	Minneman D3/225
4,942,991 A *	7/1990	Lyons F42B 39/02 206/3
D312,173 S *	11/1990	Smith D22/112



(56)

References Cited

U.S. PATENT DOCUMENTS

D777,426	S	*	1/2017	Dahl	D3/262
D782,819	S	*	4/2017	Hamernik	D3/262
D783,281	S	*	4/2017	Hamernik	D3/262
D853,720	S	*	7/2019	Novague	D3/262
2005/0189371	A1		9/2005	Harvey		
2010/0327006	A1		12/2010	Campo		

* cited by examiner

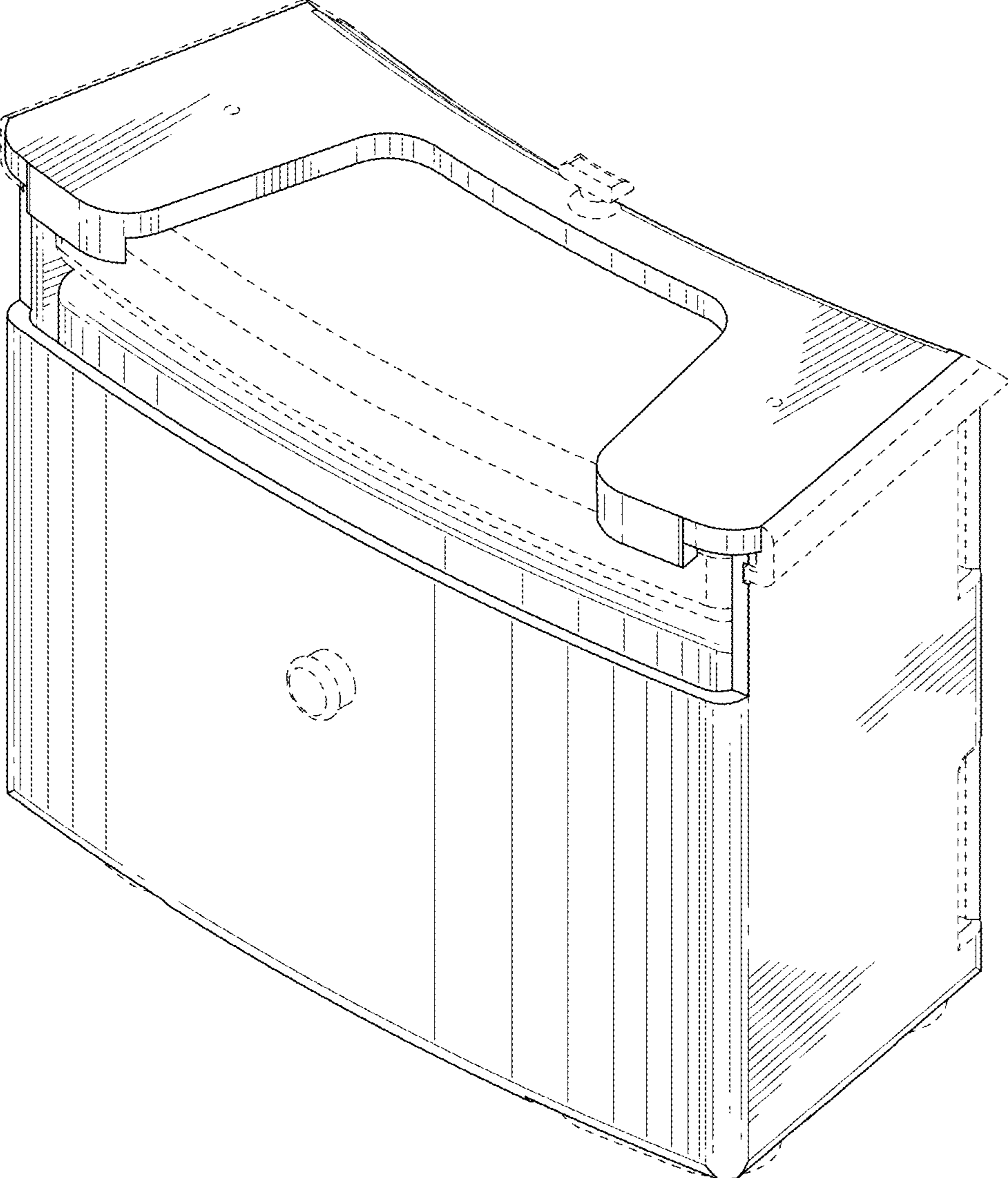


FIG. 1

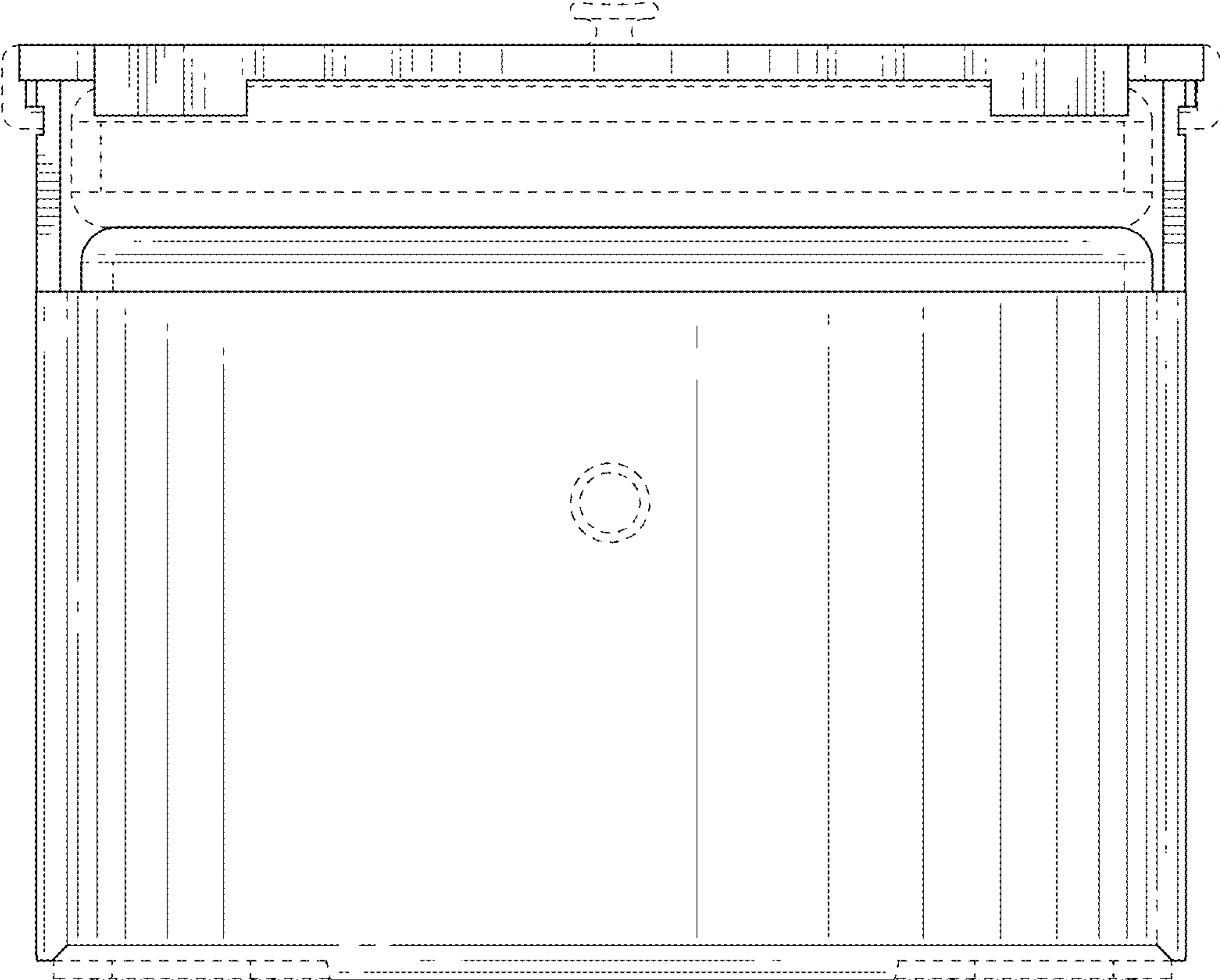


FIG.2

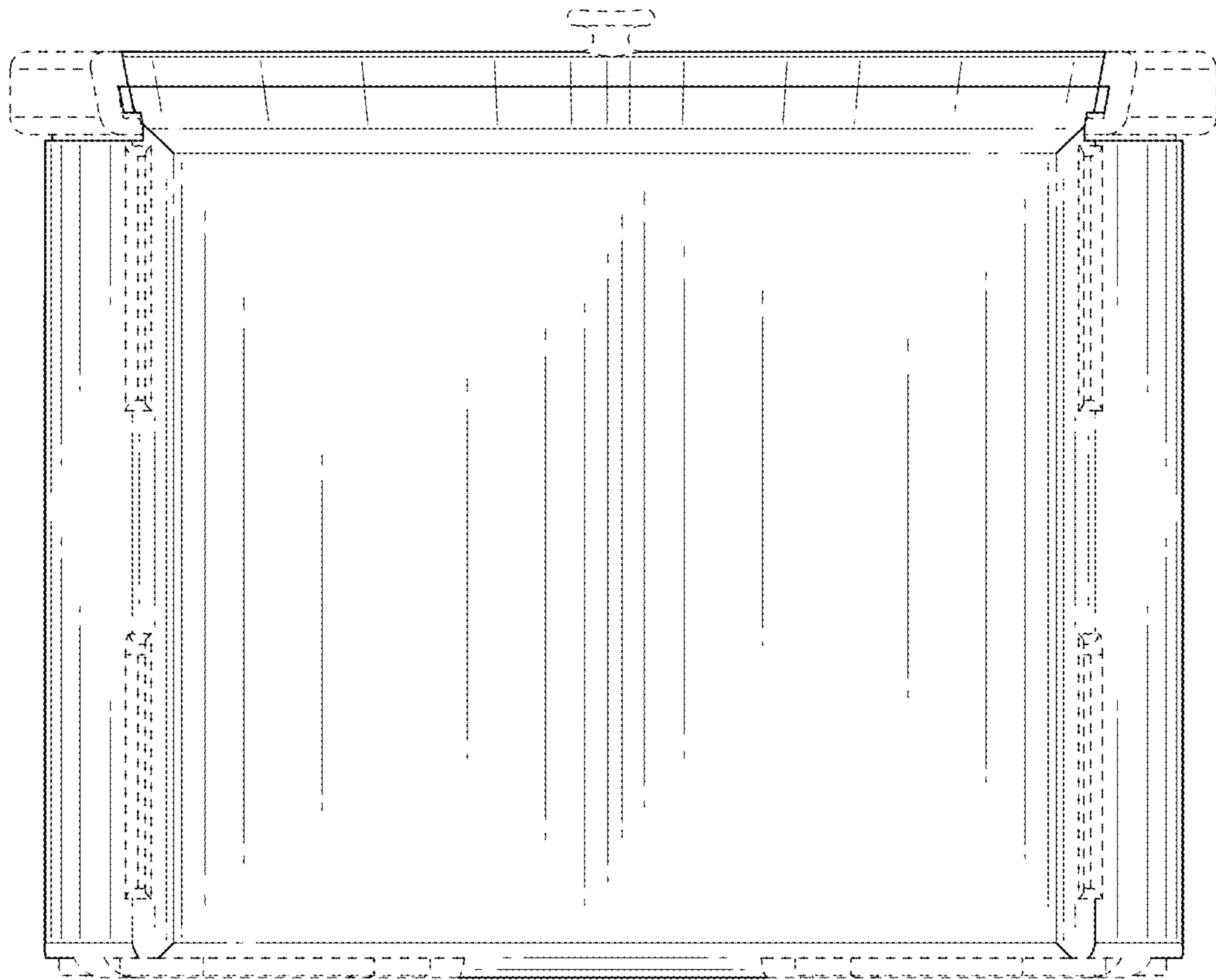


FIG. 3

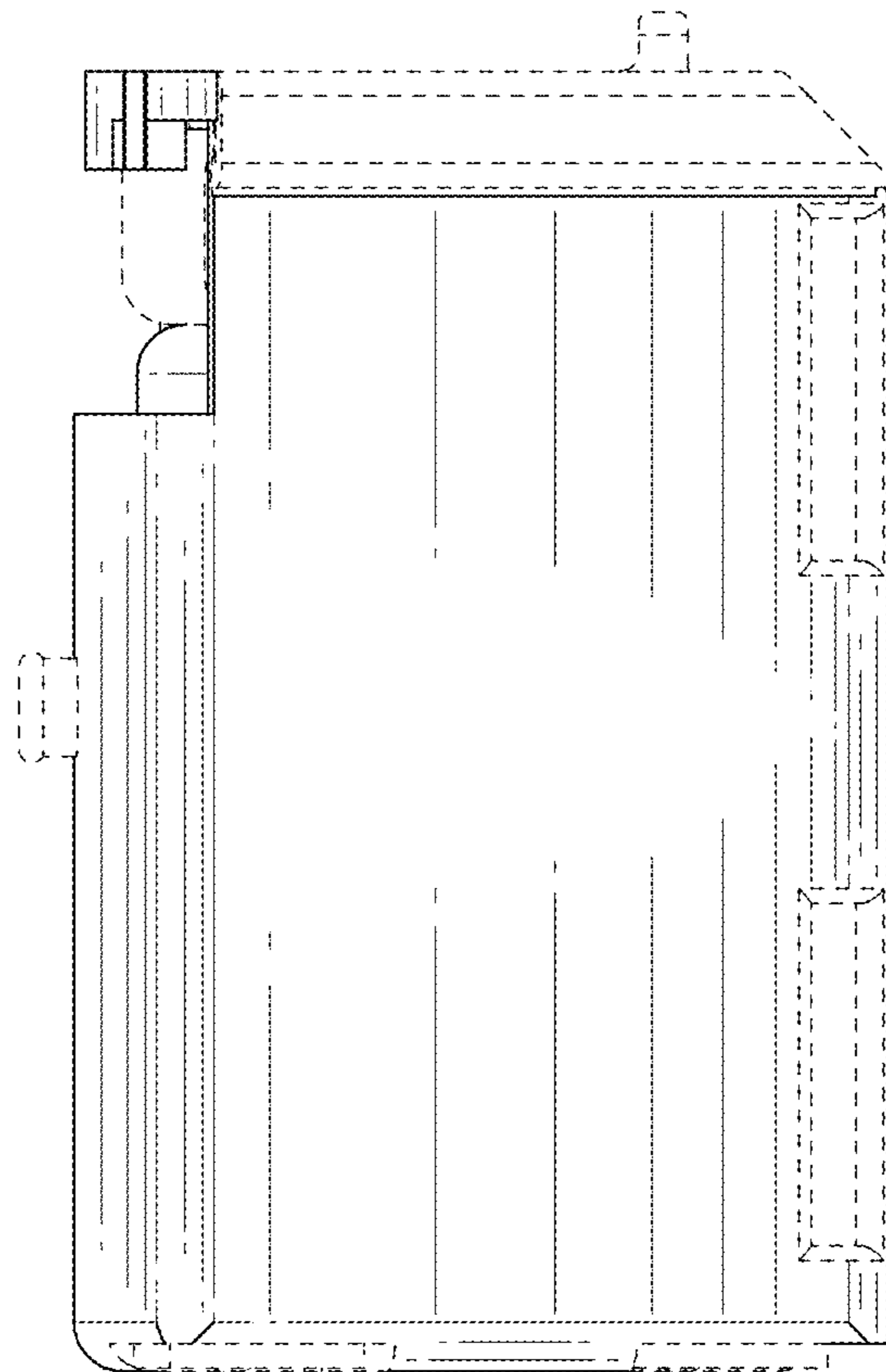


FIG. 4

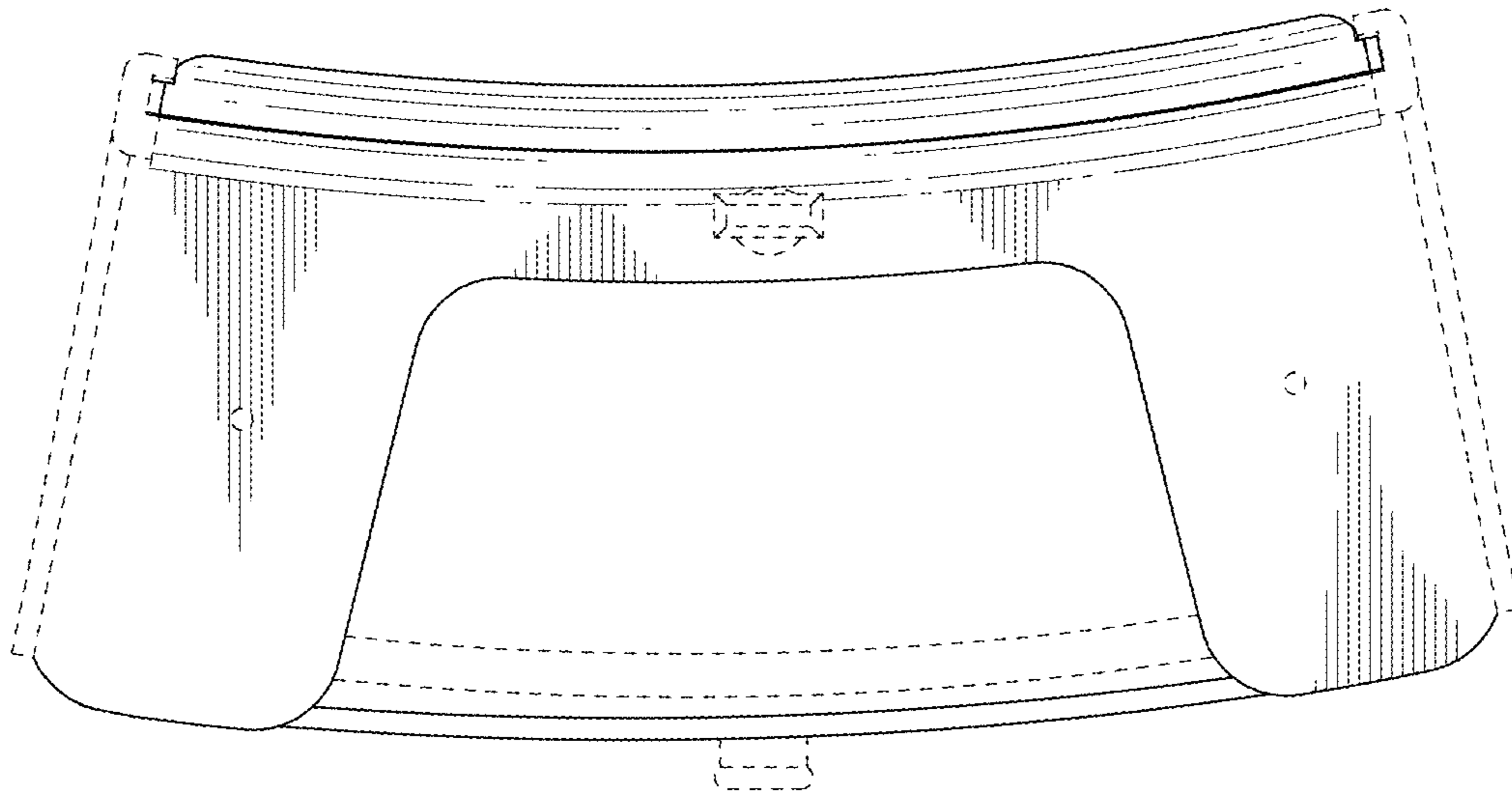


FIG. 5

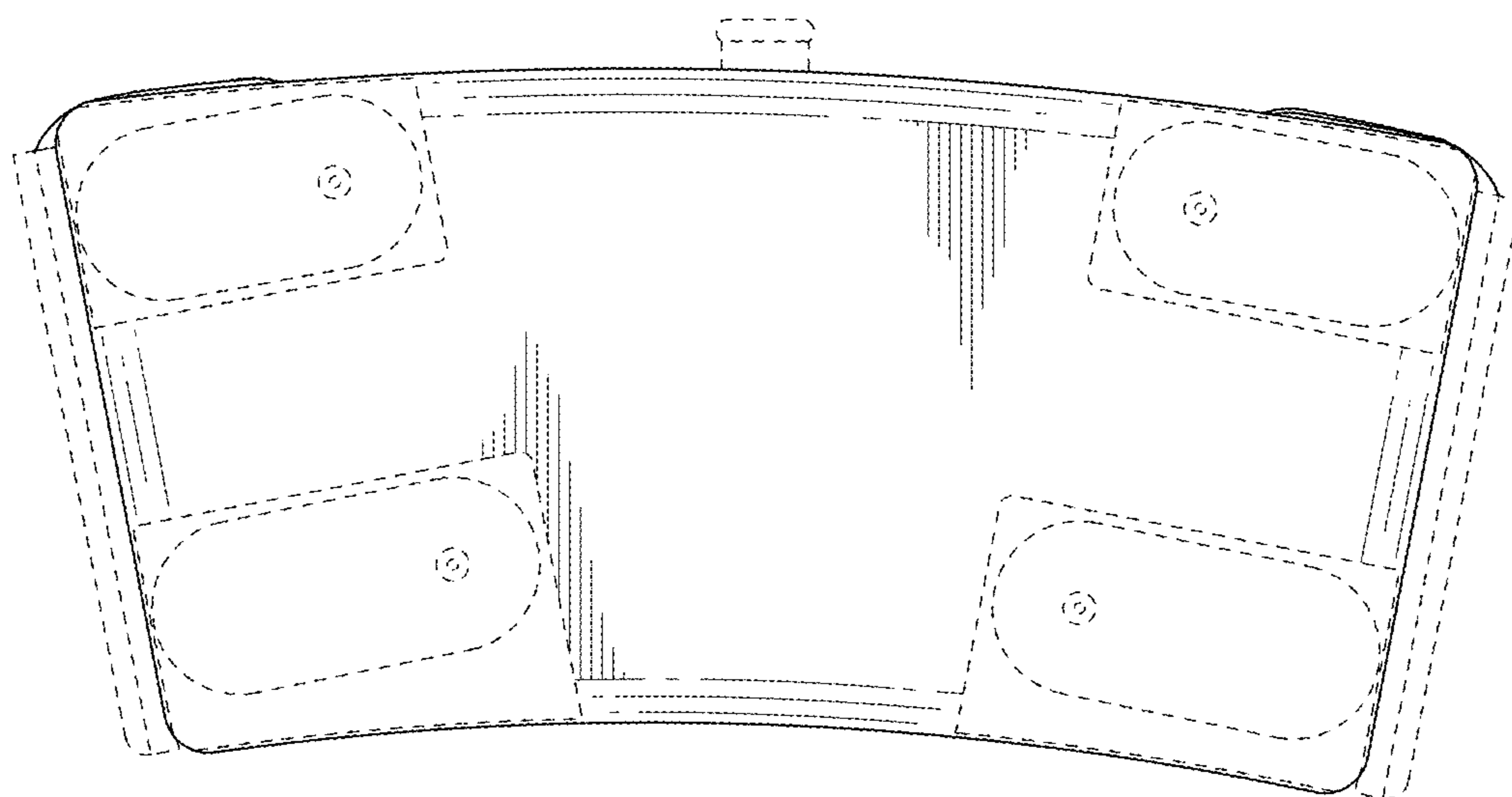


FIG. 6