



US00D876087S

(12) **United States Design Patent**  
**de Ruyter**

(10) **Patent No.:** **US D876,087 S**

(45) **Date of Patent:** **\*\* Feb. 25, 2020**

(54) **HANDBAG**

(71) Applicant: **Anthony John de Ruyter**, San Diego,  
CA (US)

(72) Inventor: **Anthony John de Ruyter**, San Diego,  
CA (US)

(\*\*) Term: **15 Years**

(21) Appl. No.: **29/603,915**

(22) Filed: **May 12, 2017**

(51) **LOC (12) Cl.** ..... **03-01**

(52) **U.S. Cl.**  
USPC ..... **D3/238**

(58) **Field of Classification Search**  
USPC ..... D3/226, 227, 229, 230, 232, 233, 234,  
D3/235, 238, 239, 240, 241, 242, 243,  
D3/244, 245, 246, 247, 248, 249, 250,  
D3/251, 253, 270, 271.2, 271.3, 271.9  
CPC .. A45C 1/024; A45C 3/04; A45C 3/06; A45C  
3/08; A45C 3/10; A45C 7/0059; A45C  
7/0077; A45C 13/08; A45C 13/26; A45C  
2001/083  
See application file for complete search history.

(56) **References Cited**

**U.S. PATENT DOCUMENTS**

D148,811 S \* 2/1948 Malmstead ..... D28/5  
D183,710 S \* 10/1958 Blaivas ..... D2/738  
3,866,647 A \* 2/1975 Tarkowski ..... A45C 3/06  
150/104

D245,814 S \* 9/1977 Ross ..... D3/238  
D267,369 S \* 12/1982 Blanchard ..... D2/738  
D316,328 S \* 4/1991 Willoughby ..... D3/238  
D335,026 S \* 4/1993 Cape ..... D3/238  
D370,121 S \* 5/1996 Chabot ..... D3/234  
D402,157 S \* 12/1998 Ewen ..... D7/517  
D518,244 S \* 3/2006 Babel ..... D30/118  
D531,794 S \* 11/2006 Clanton ..... D3/238  
D539,532 S \* 4/2007 Bagley, Jr. .... D3/238  
D611,835 S \* 3/2010 Chou Huang ..... D9/631  
D701,676 S \* 4/2014 Savage ..... D2/738  
D795,582 S \* 8/2017 Herman ..... D3/304  
D803,698 S \* 11/2017 O'Hara ..... D9/624

\* cited by examiner

*Primary Examiner* — Cathron C Brooks

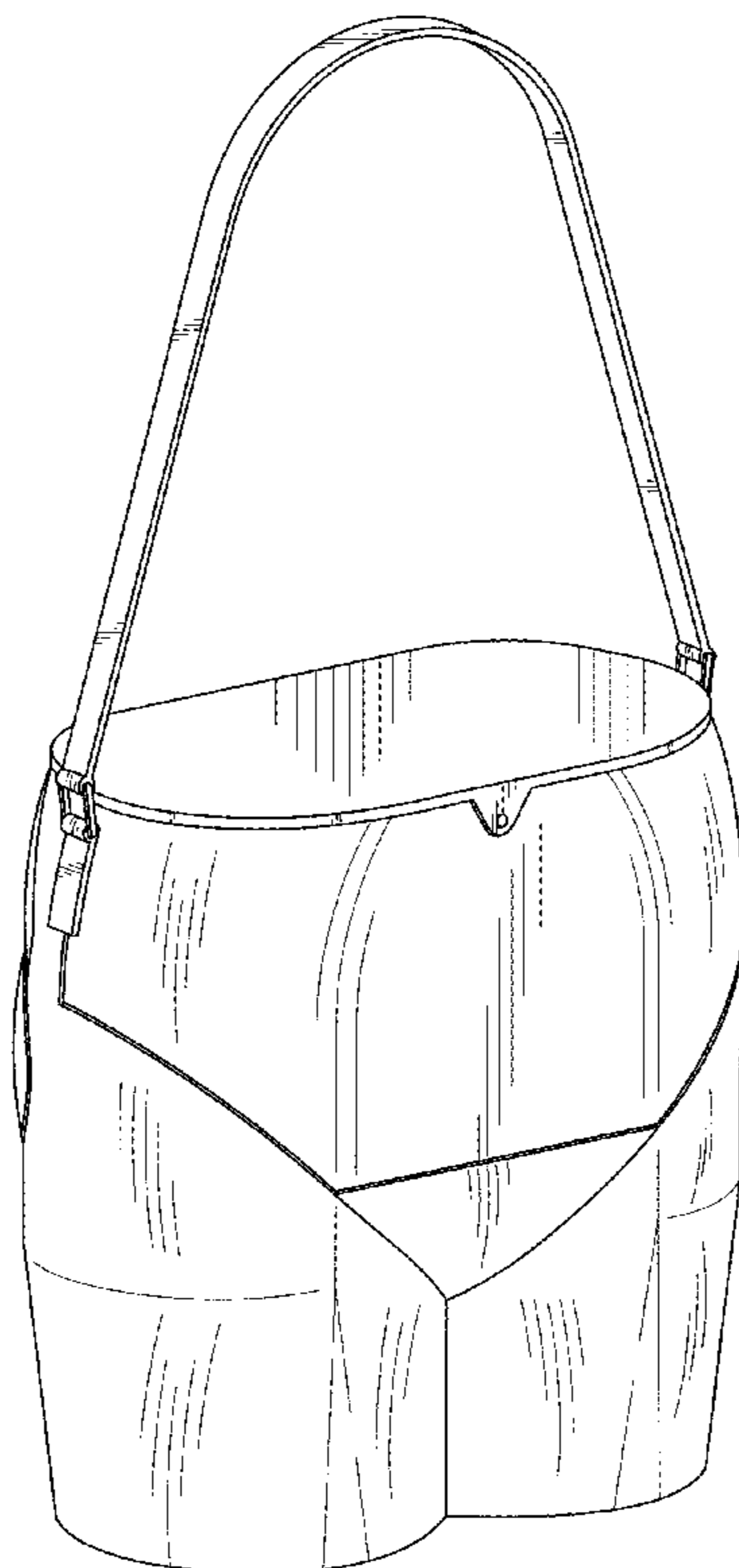
(57) **CLAIM**

I claim the ornamental design for a handbag, as shown and described.

**DESCRIPTION**

FIG. 1 is an isometric view of the front and top of the handbag.  
FIG. 2 is an isometric view of the rear and bottom of the handbag.  
FIG. 3 is a front view of the handbag.  
FIG. 4 is a rear view of the handbag.  
FIG. 5 is a right side view of the handbag.  
FIG. 6 is a left side view of the handbag.  
FIG. 7 is top view of the handbag.  
FIG. 8 is a bottom view of the handbag; and,  
FIG. 9 is an isometric view of the front and top of the handbag with the lid open.

**1 Claim, 8 Drawing Sheets**



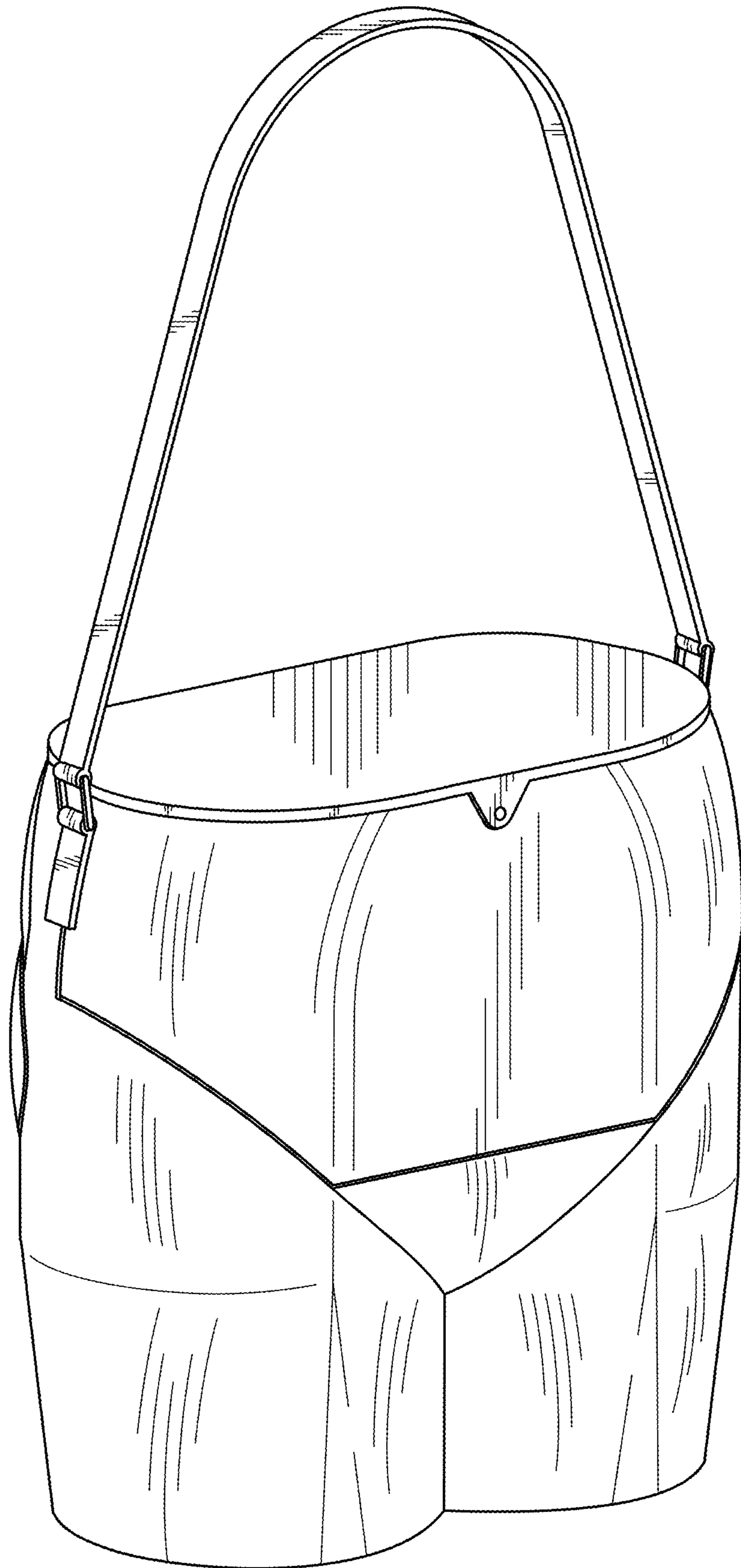


FIG. 1



FIG. 2

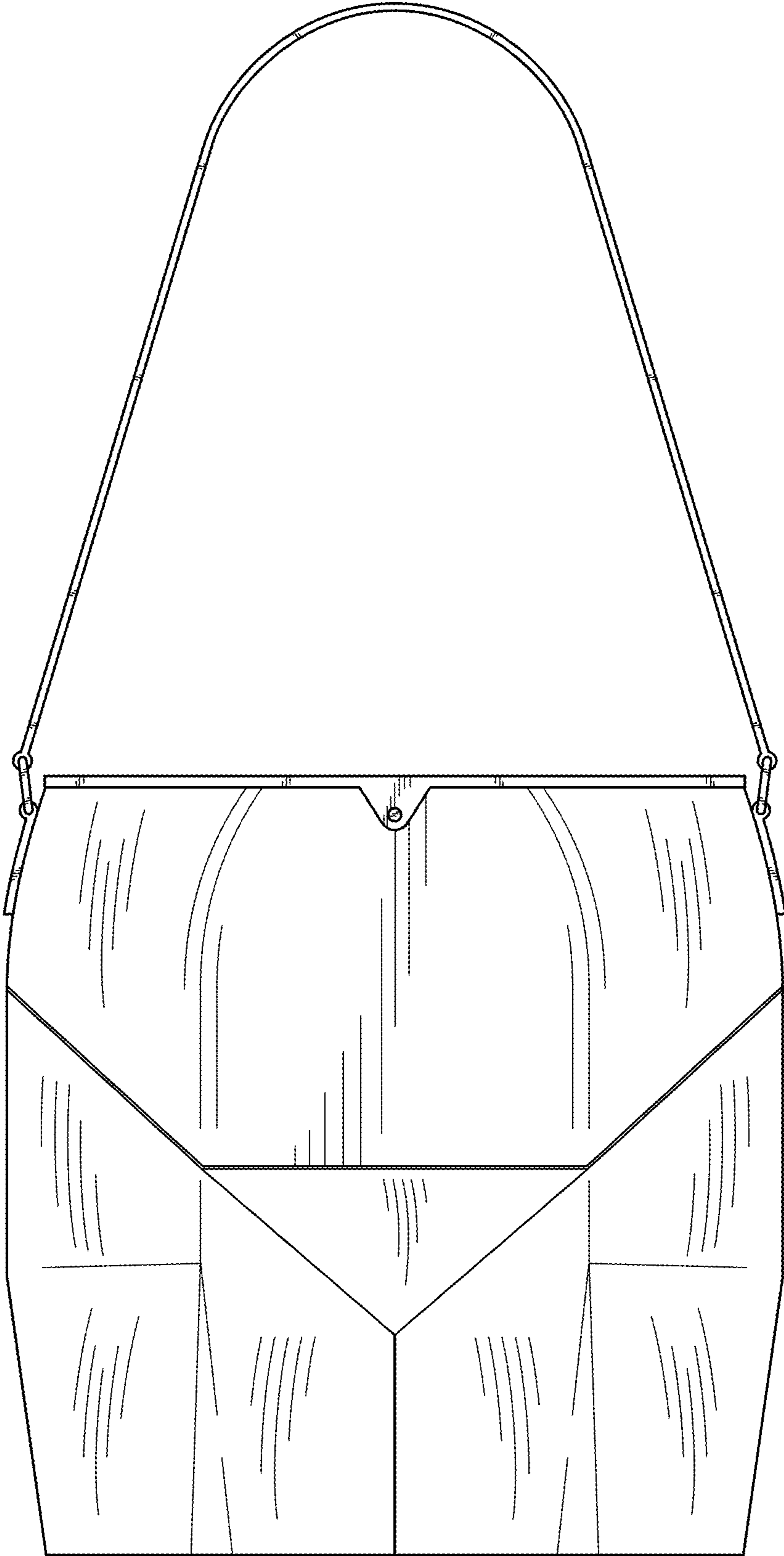


FIG. 3

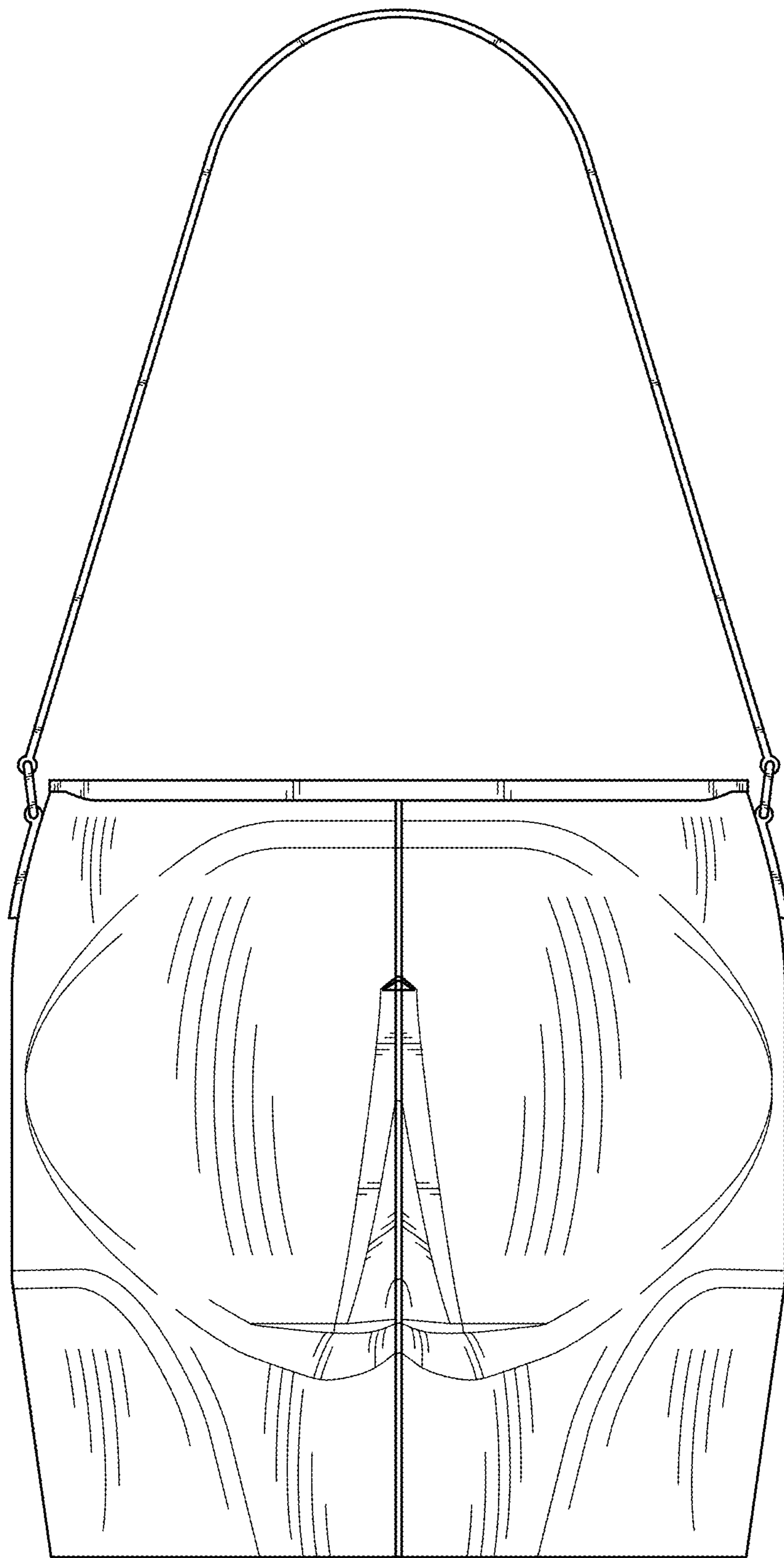


FIG. 4

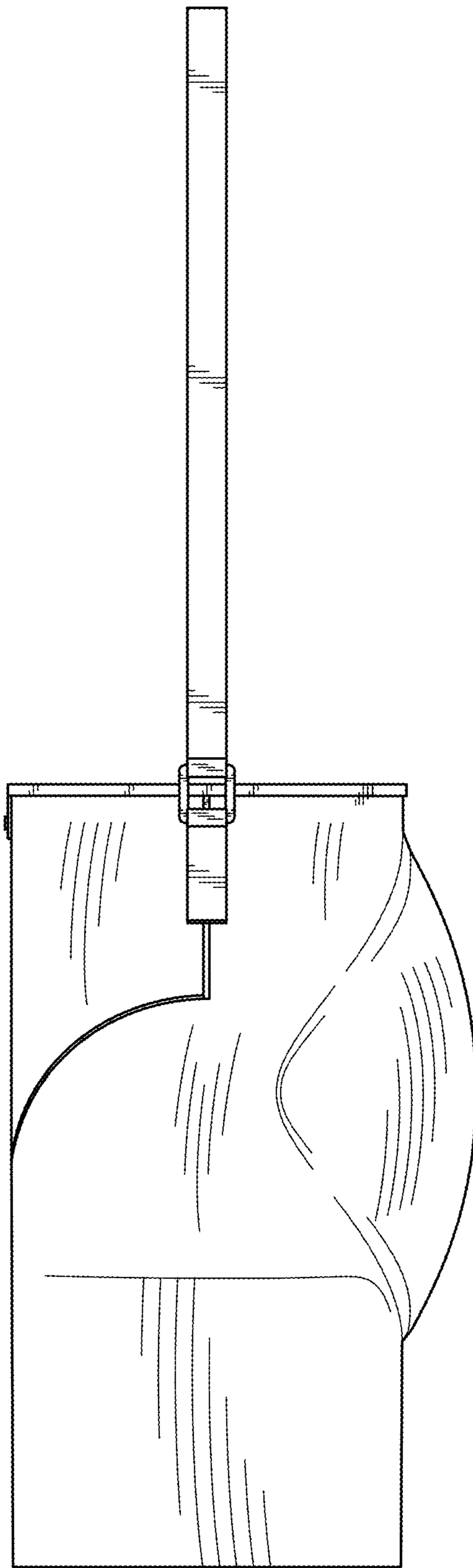


FIG. 5

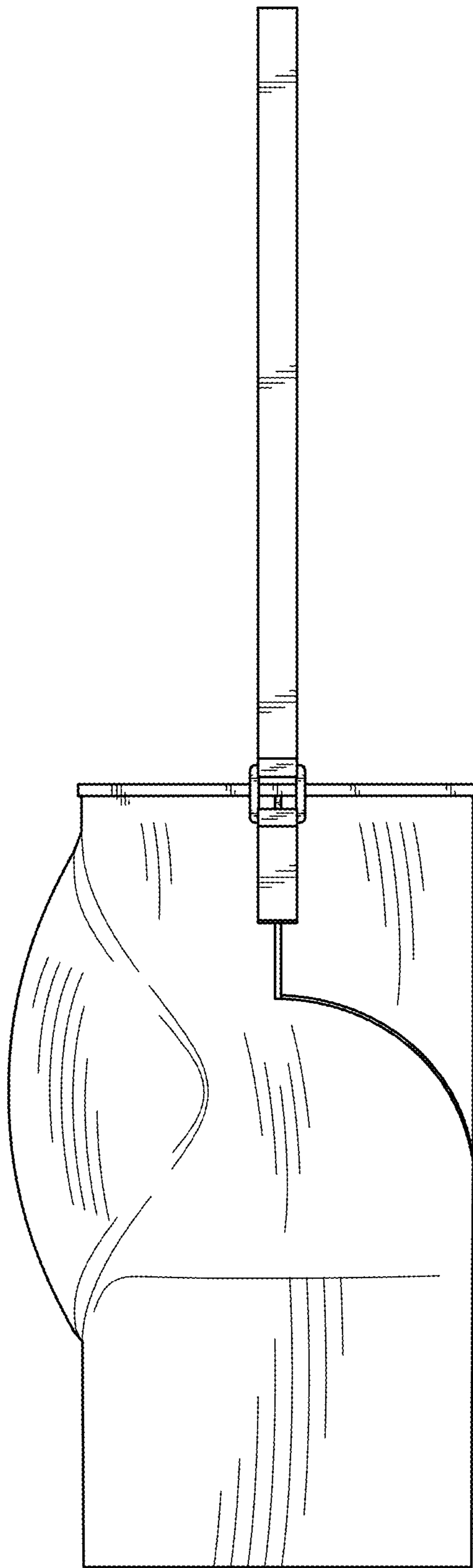


FIG. 6

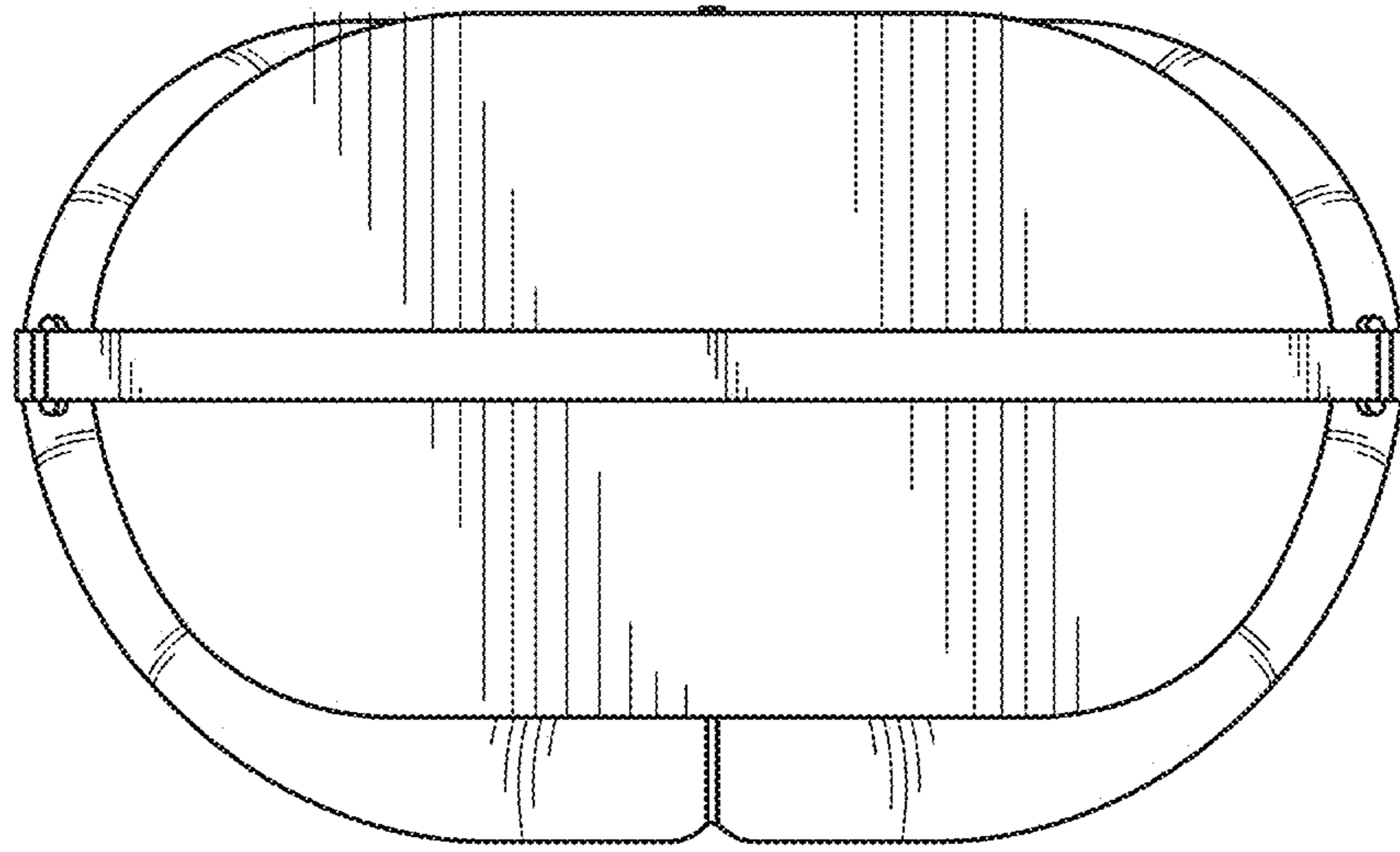


FIG. 7

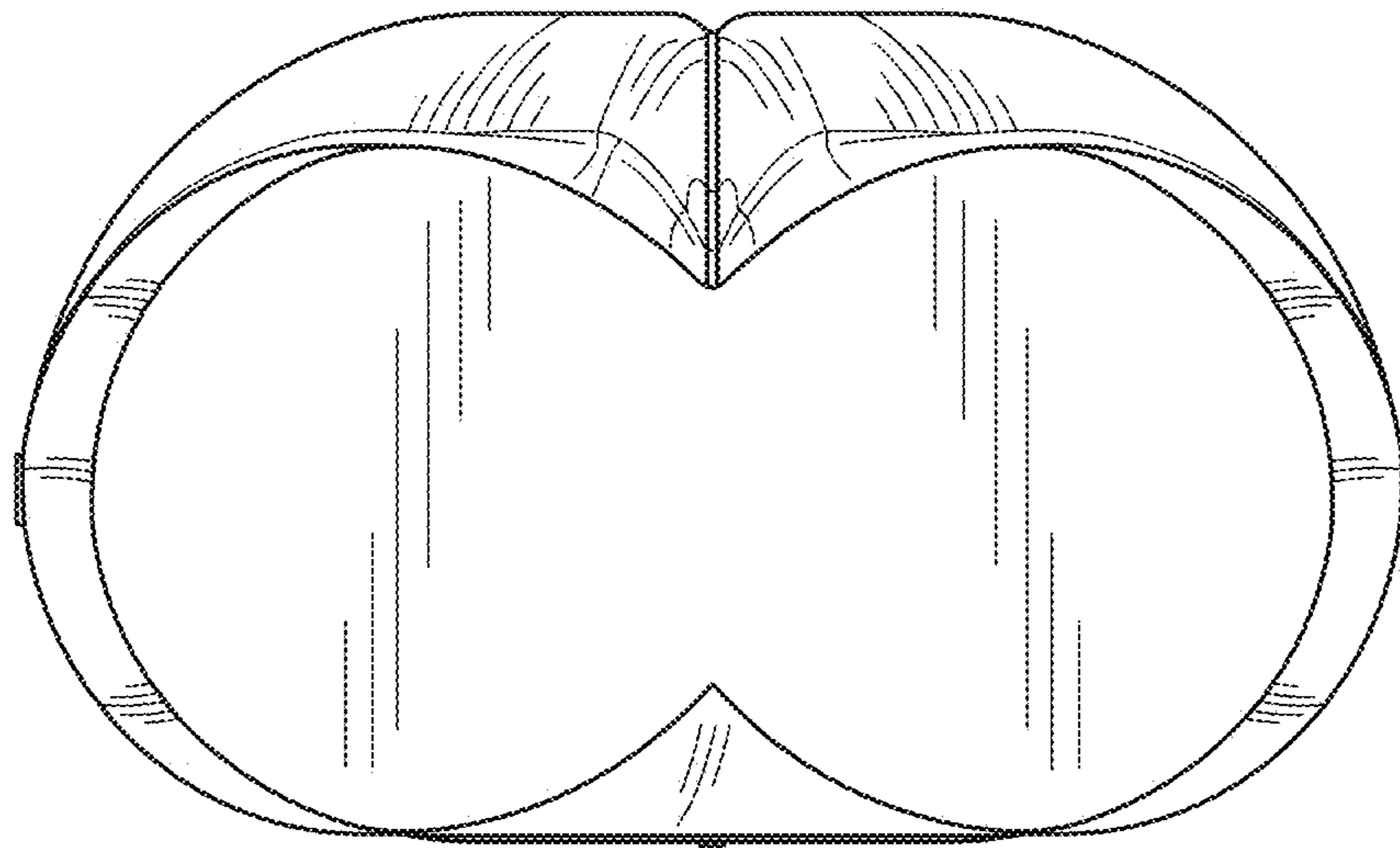


FIG. 8



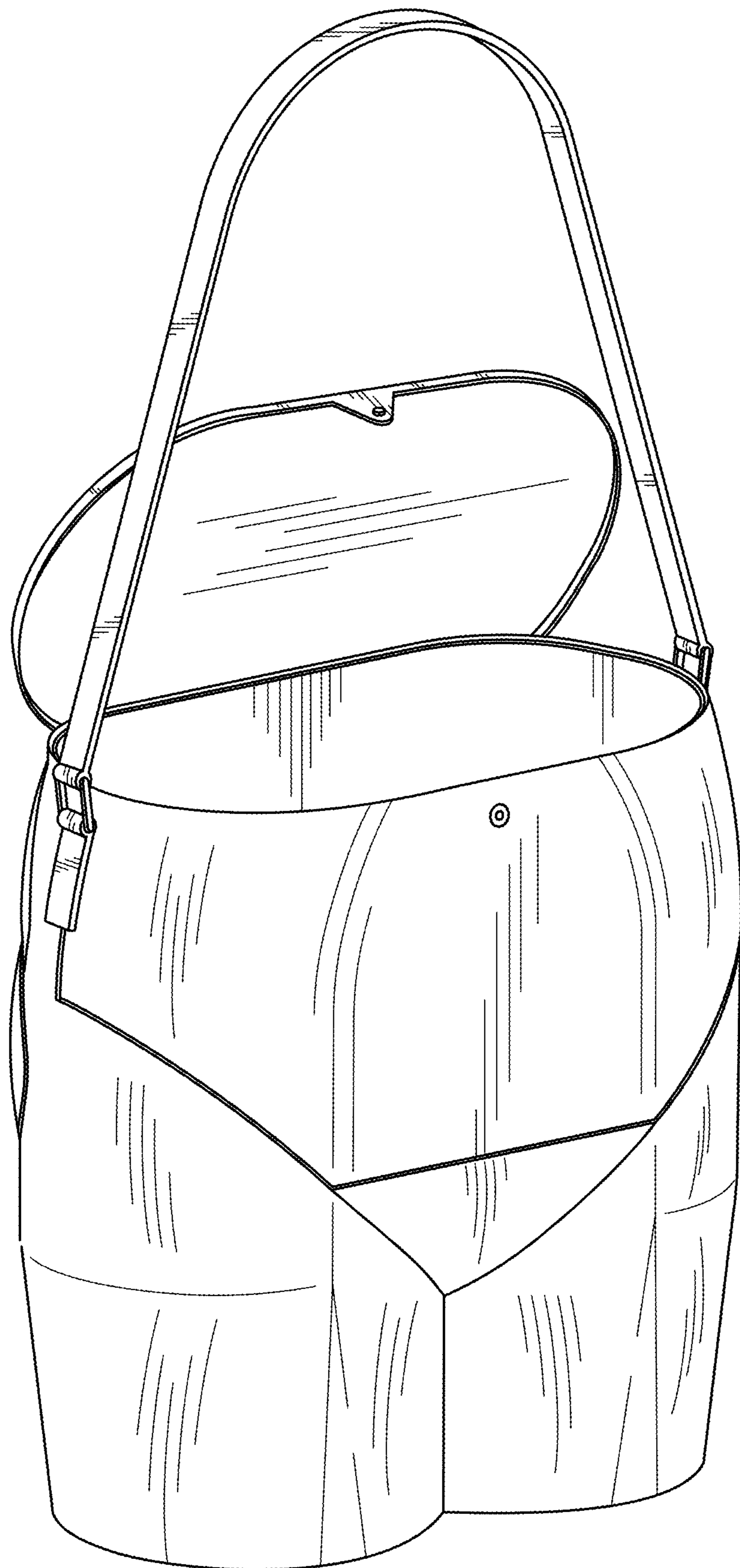


FIG. 9