



US00D876084S

(12) **United States Design Patent**
Duncan

(10) **Patent No.:** **US D876,084 S**

(45) **Date of Patent:** **** Feb. 25, 2020**

(54) **HOLSTER**

Primary Examiner — Catherine R Oliver-Garcia

(71) Applicant: **H6 Tactical Inc.**, St. Petersburg, FL
(US)

(72) Inventor: **Sean C. Duncan**, Tampa, FL (US)

(**) Term: **15 Years**

(21) Appl. No.: **29/645,036**

(22) Filed: **Apr. 23, 2018**

(51) **LOC (12) Cl.** **03-01**

(52) **U.S. Cl.**
USPC **D3/226**

(58) **Field of Classification Search**
USPC D3/215, 221, 222, 223, 224, 226, 228;
224/236, 238, 240, 245, 677, 901.4,
224/901.6, 911
CPC A45F 5/00; A45F 5/02; A45F 5/021; A45F
2200/0591; F42B 39/02
See application file for complete search history.

(56) **References Cited**

U.S. PATENT DOCUMENTS

- | | | | | |
|----------------|---------|--------------|-------|------------|
| D417,072 S * | 11/1999 | Reinhart | | D3/226 |
| 6,691,906 B2 * | 2/2004 | Cragg | | A45F 5/021 |
| | | | | 224/236 |
| D498,048 S * | 11/2004 | Reichardt | | D3/226 |
| D774,298 S * | 12/2016 | Mathews, Jr. | | D3/228 |
| D812,900 S * | 3/2018 | Votel | | D3/228 |
| D812,901 S * | 3/2018 | Martinez | | D3/228 |

OTHER PUBLICATIONS

Homeland Six Firefighter Radio Holster, retrieved from Amazon.com at URL: [https://www.amazon.com/Homeland-six-Firefighter-Radio-Holster/dp/B01GW51U2S/ref=sr_1_3?ie=UTF8&qid=1524503775&sr=8-3&keywords=homeland six](https://www.amazon.com/Homeland-six-Firefighter-Radio-Holster/dp/B01GW51U2S/ref=sr_1_3?ie=UTF8&qid=1524503775&sr=8-3&keywords=homeland+six), retrieved on Apr. 23, 2018, 5 pages.

Regular Triple Combination Radio Strap, retrieved from Homeland-Six at URL: <http://www.homelandsix.com/online-store/Regular-Triple-Combination-Radio-Strap-p95385997>, retrieved on Apr. 23, 2018, 3 pages.

* cited by examiner

(57) **CLAIM**

I claim the ornamental design for a holster, as shown and described.

DESCRIPTION

FIG. 1 is a front perspective view of the holster showing the new design;
 FIG. 2 is a front elevation view thereof;
 FIG. 3 is a rear elevation view thereof;
 FIG. 4 is a right side elevation view thereof;
 FIG. 5 is a left side elevation view thereof;
 FIG. 6 is a top plan view thereof; and,
 FIG. 7 is a bottom plan view thereof.

The ornamental design which is claimed is shown in solid lines in the figures. Broken lines are for illustrative purposes only and form no part of the claimed design. Broken lines formed by equal length dashes show unclaimed portions of the design. Broken lines formed of unequal length dashes (i.e. dash-dot) show boundaries between claimed and unclaimed portions of the design. Broken lines having a jagged element show that no particular length of the portion is claimed.

While the accompanying drawings illustrate one or more exemplary embodiments, it should be understood that, according to other exemplary embodiments that should be considered to be within the possession of the inventors of the present application at the time this application is being filed, it is contemplated that any illustrated solid lines (or portions thereof) may be converted to broken lines and that any illustrated broken lines (or portions thereof) may be converted to solid lines so as to claim or disclaim portions, components, or sub-components of the designs shown. It is further contemplated that shading may be added or removed to claim or disclaim the corresponding surfaces.

1 Claim, 6 Drawing Sheets

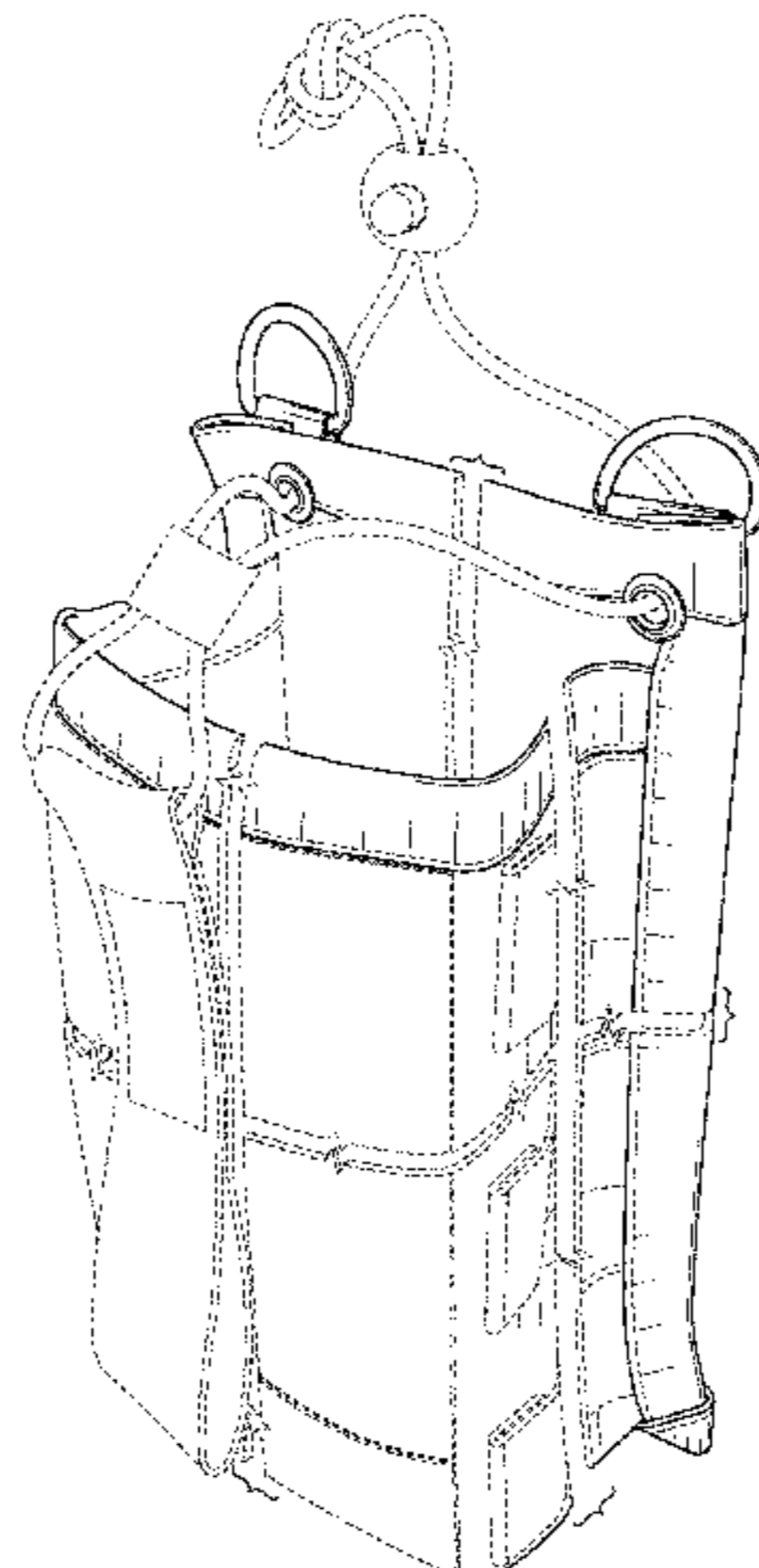


FIG. 1



FIG. 2

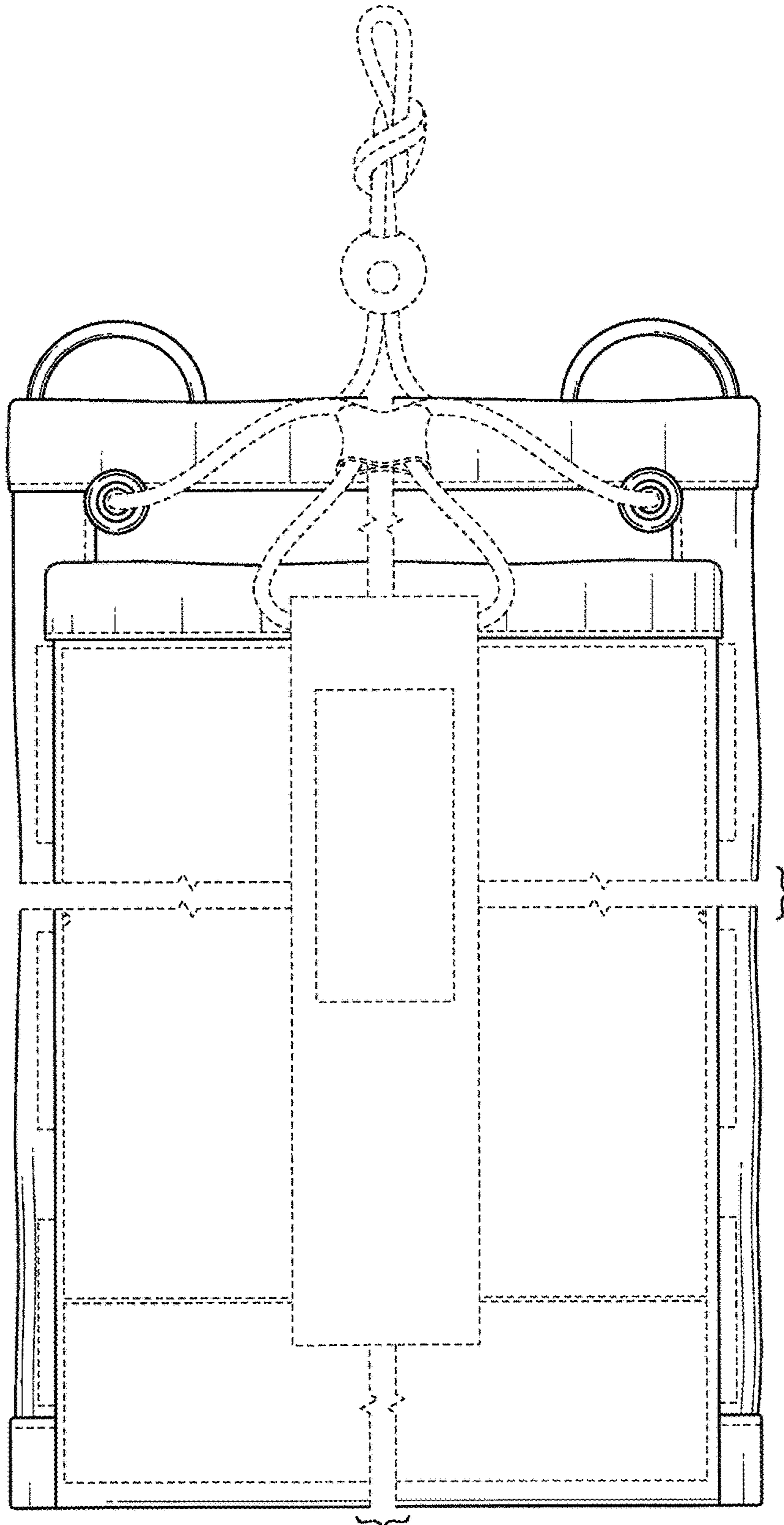


FIG. 3

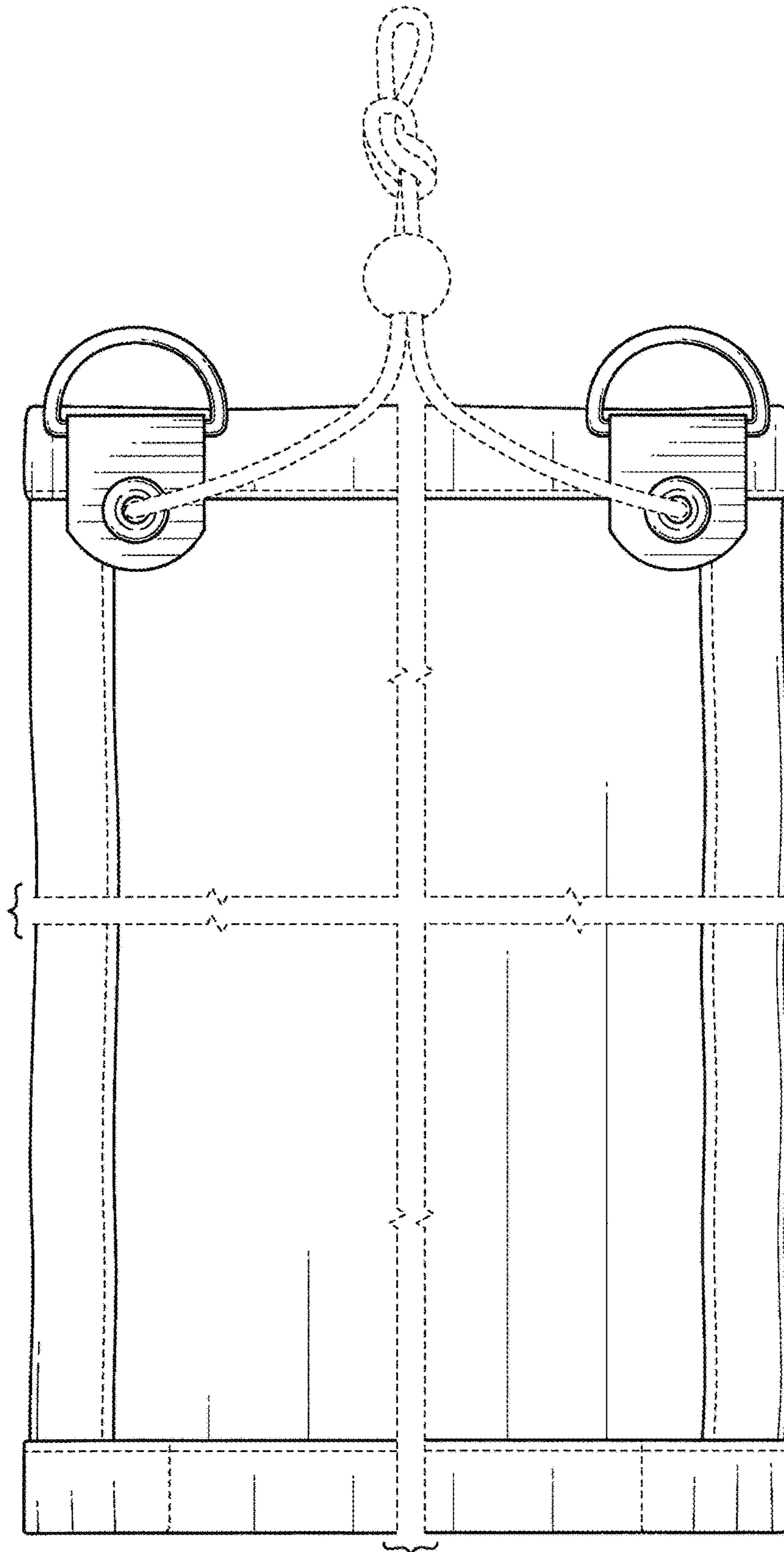


FIG. 4

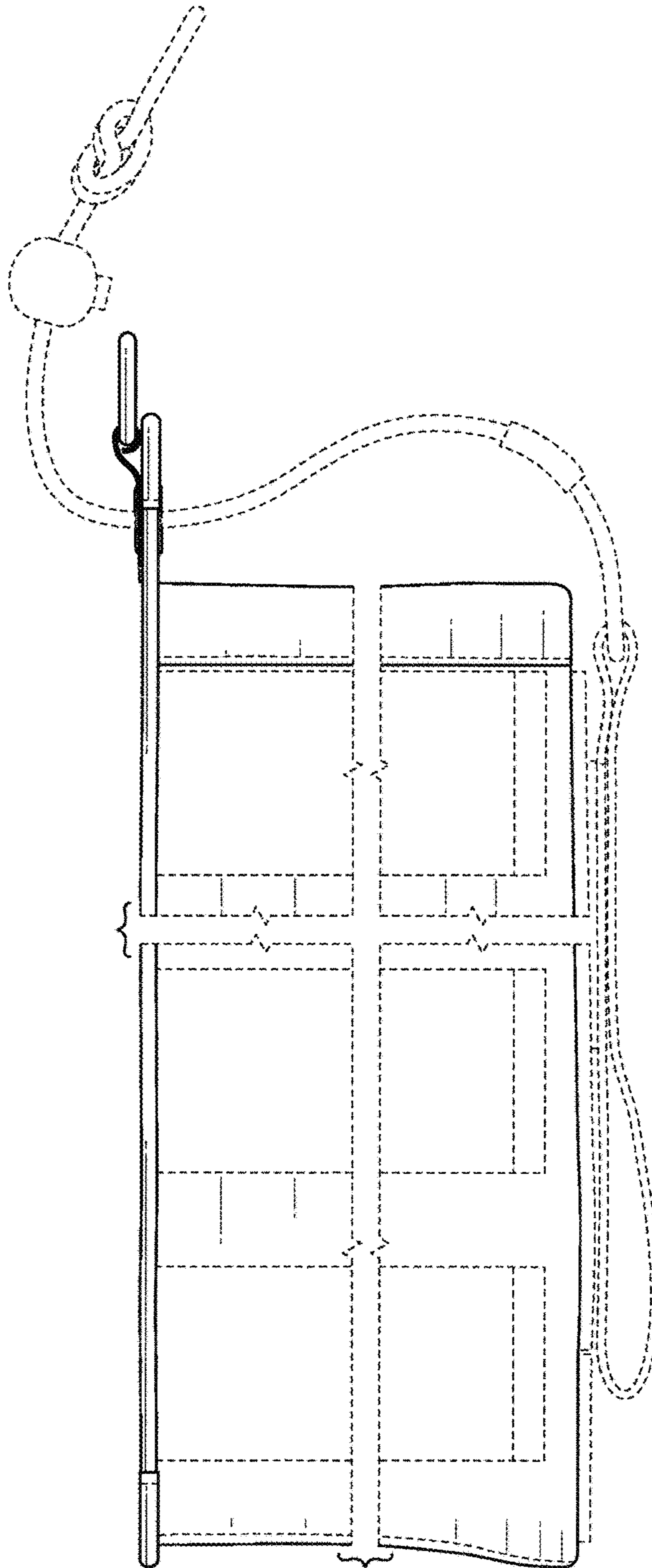


FIG. 5

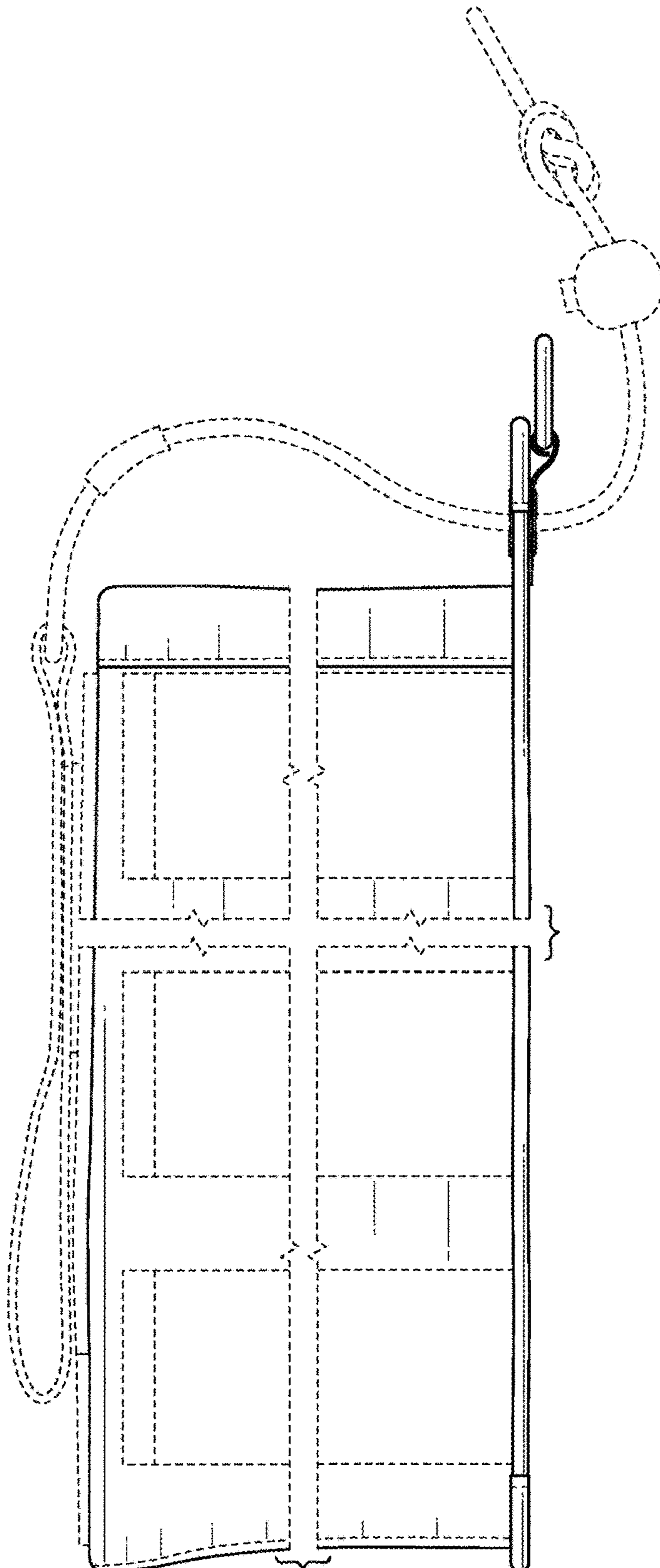


FIG. 6

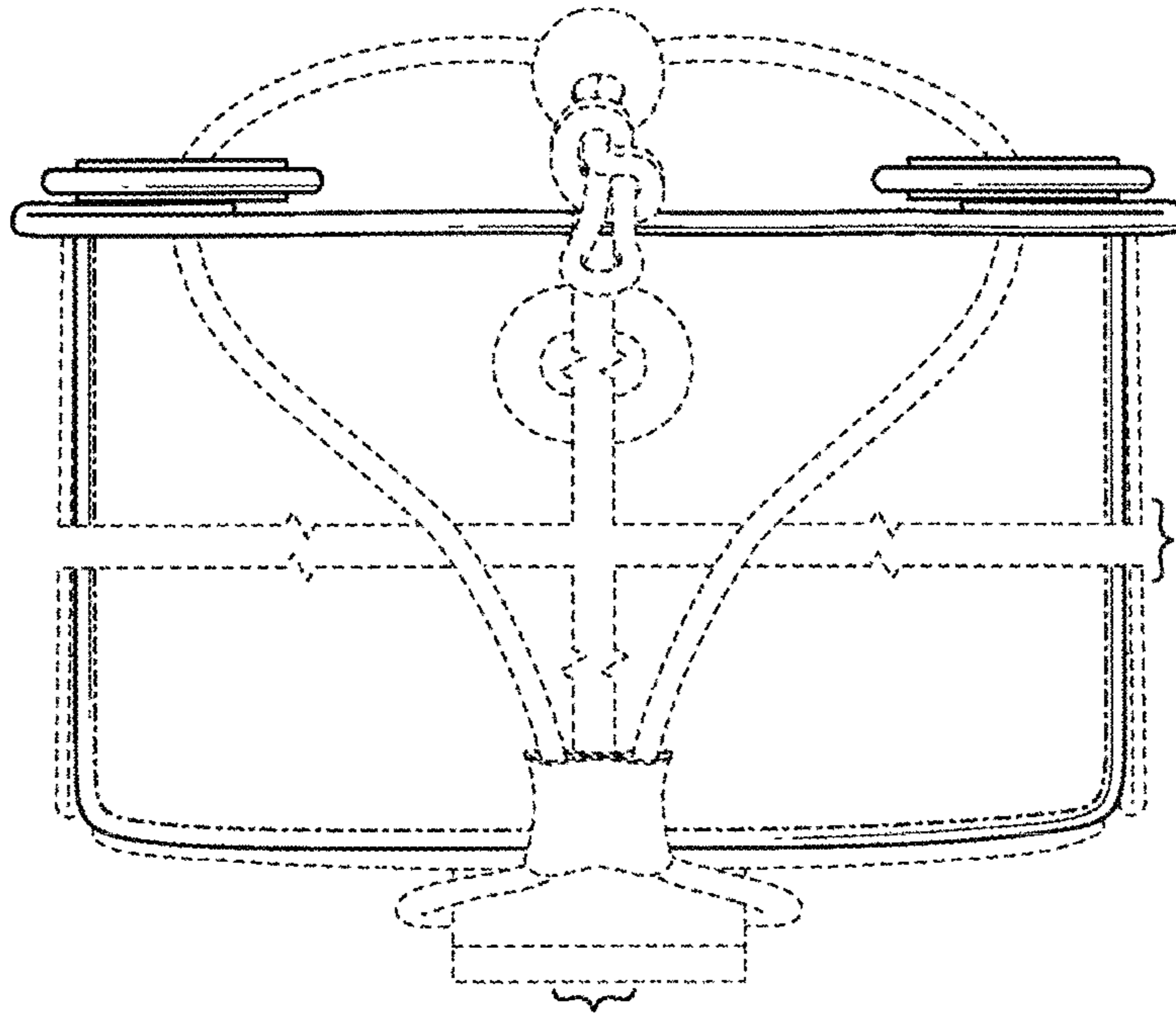


FIG. 7

