

US00D876083S

(12) **United States Design Patent** (10) **Patent No.:** **US D876,083 S**
Hamilton (45) **Date of Patent:** **** *Feb. 25, 2020**

(54) **ARTICLE CARRIER**

FOREIGN PATENT DOCUMENTS

(71) Applicant: **SIMPLE.BE LLC**, Lake Oswego, OR (US)

CA 2395918 A1 1/2004

(72) Inventor: **Brett Hamilton**, Tualatin, OR (US)

OTHER PUBLICATIONS

(73) Assignee: **SIMPLE.BE LLC**, Lake Oswego, OR (US)

HTC Radio Holder, downloaded from the Internet at: <https://highthreatconcealment.com/products/radio-carriers/htc-radio-holder.html> on Feb. 9, 2018.

(*) Notice: This patent is subject to a terminal disclaimer.

(Continued)

(**) Term: **15 Years**

Primary Examiner — Catherine R Oliver-Garcia
(74) *Attorney, Agent, or Firm* — Stone Creek Services LLC; Alan M Flum

(21) Appl. No.: **29/637,780**

(22) Filed: **Feb. 22, 2018**

(57) **CLAIM**

(51) **LOC (12) Cl.** **03-01**

The ornamental design for an article carrier, as shown and described.

(52) **U.S. Cl.**

USPC **D3/218**

(58) **Field of Classification Search**

USPC D3/215, 128, 224, 226, 228, 269, D3/671-675, 236, 575, 930, 587, 197, D3/217; 224/148.6, 219, 222, 240, 224/245-246, 250, 267, 269, 671-675, 224/236, 575, 930, 587, 197, 217; 294/25; 24/3.12, 16 F, 17 B, 303, 3.2; 455/575.1-575.8; 206/305, 320; D14/250-251

CPC A45F 5/00; A45F 5/02; A45F 5/021; A45F 2200/0508; A45F 2200/0516

See application file for complete search history.

DESCRIPTION

FIG. 1 is a top, front, and left side perspective view of an article carrier showing my new design; FIG. 2 is a top, rear, and left side perspective view thereof; FIG. 3 is a front elevation view thereof; FIG. 4 is a rear elevation view thereof; FIG. 5 is a right side elevation view thereof; FIG. 6 is a left side elevation view thereof; FIG. 7 is a top plan view thereof; and, FIG. 8 is a bottom plan view thereof.

The surface shading illustrated in the drawings highlights the contour of the design; it is not intended to be illustrative of texture, material, or surface ornamentation. The broken lines in FIGS. 1-3 and 5-7 illustrate portions of the article carrier that form no part of the claimed design. The broken away and bracketed portions in FIGS. 1-6 indicate that no particular length is claimed for those portions; such lines and any portion between such lines form no part of the claimed design.

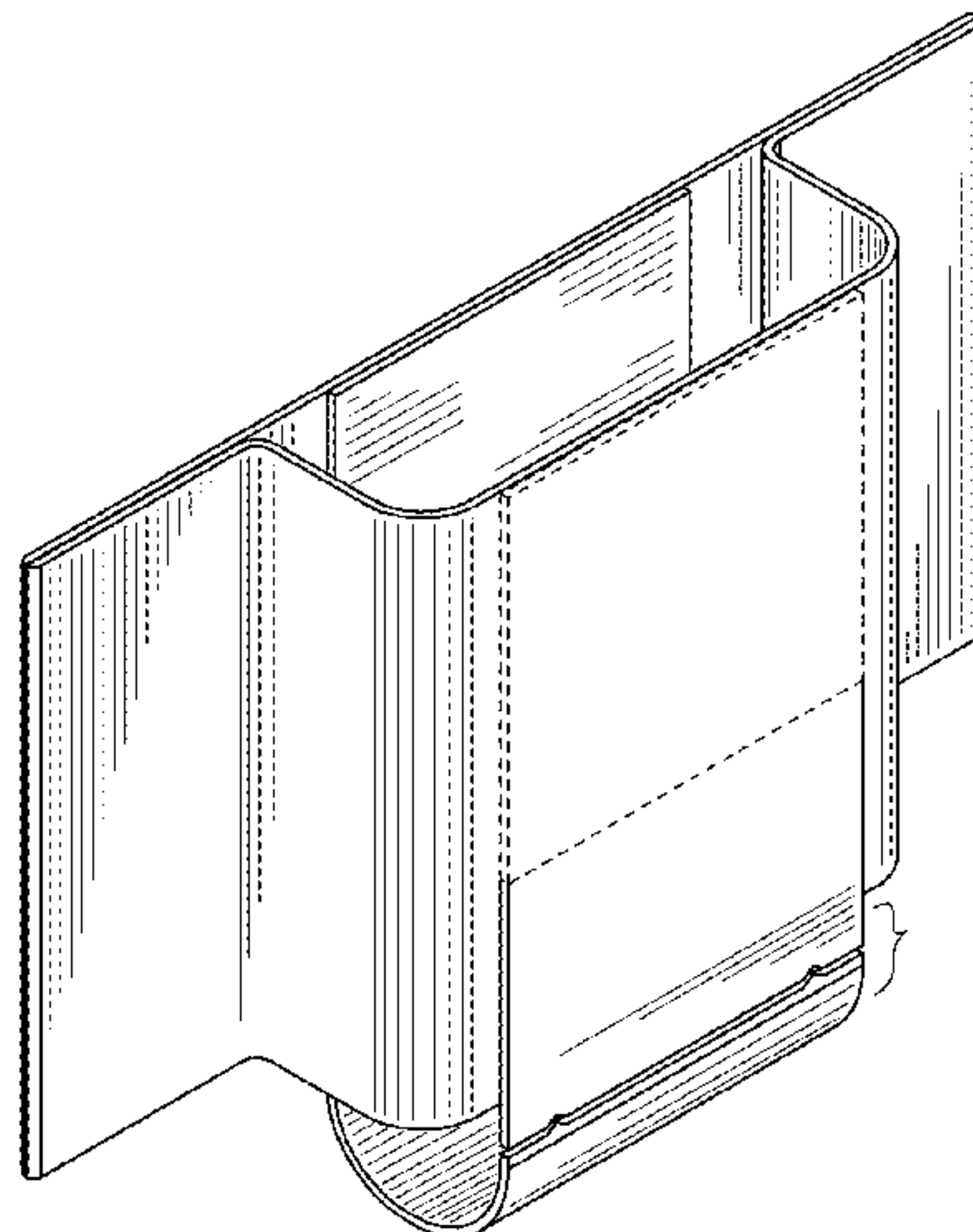
(56) **References Cited**

U.S. PATENT DOCUMENTS

1,816,284 A 7/1931 Hughes
3,127,076 A 3/1964 Tebbs
3,813,017 A 5/1974 Pimsleur
4,057,757 A 11/1977 Darden
D258,021 S 1/1981 Bonaventura
4,399,934 A 8/1983 Dupont
4,420,104 A 12/1983 DiIenno

(Continued)

1 Claim, 6 Drawing Sheets



(56)

References Cited

U.S. PATENT DOCUMENTS

D275,815 S 10/1984 DiIenno
 D281,830 S 12/1985 Hengesbach
 D293,857 S 1/1988 Stout et al.
 4,982,885 A 1/1991 Severson et al.
 5,104,076 A 4/1992 Goodall
 5,147,079 A 9/1992 Heather
 D347,522 S 6/1994 Beltran
 5,535,928 A 7/1996 Herring
 5,622,346 A 4/1997 Story, Jr.
 D419,392 S 1/2000 Schlebusch
 6,056,174 A 5/2000 Minckler
 6,076,789 A 6/2000 Jackson
 6,081,695 A 6/2000 Wallace et al.
 6,321,958 B1 11/2001 Erdmann
 6,412,674 B1 7/2002 Lipke
 D467,069 S 12/2002 Bouchard
 6,533,150 B1 3/2003 Margo et al.
 D475,850 S * 6/2003 Andre D3/218
 D486,304 S * 2/2004 Brown D3/218
 D490,237 S 5/2004 Hardge
 D507,872 S * 8/2005 Watson D3/218
 D517,314 S 3/2006 Moyer
 D533,341 S * 12/2006 Infanti D3/218
 D540,031 S 4/2007 Bouchard
 D547,618 S 7/2007 Exler
 7,640,632 B2 1/2010 Lazarus
 D654,265 S * 2/2012 Roy D3/218
 8,162,285 B2 4/2012 Rooker
 D682,544 S 5/2013 Raich
 D683,135 S * 5/2013 Smith D3/218
 8,573,458 B1 11/2013 Hamilton
 D737,569 S 9/2015 Hamilton

D738,104 S 9/2015 Hamilton
 D739,137 S 9/2015 Hamilton
 D739,138 S 9/2015 Hamilton
 D744,747 S 12/2015 Hamilton
 D748,911 S * 2/2016 Grech D3/218
 D750,369 S 3/2016 Hamilton
 D750,376 S 3/2016 Hamilton
 D752,858 S 4/2016 Hamilton
 9,380,856 B2 7/2016 Hamilton
 9,392,863 B2 7/2016 Hamilton
 2007/0205244 A1 9/2007 Hewes, Jr.
 2008/0121673 A1 5/2008 Timm et al.
 2009/0127304 A1 5/2009 Uygur

OTHER PUBLICATIONS

HTC Gen 3 Radio Holder: Color (Flat Dark Earth (FDE)), Tactical, Morrisville, NC, downloaded from the Internet at: <http://www.tacticalai.com/htc-gen-3-radio-holder-lcc828662.html> on Feb. 9, 2018.
 Motorola NNTN8269A Combat Radio Carry Pouch for SRX Radios, Radioparts.com, Fort Lauderdale, FL., downloaded from the Internet at: <https://www.radioparts.com/motorola-nntn8269a> on Feb. 19, 2018.
 Maxexpedition CPM, accessed on the Internet at: <http://www.maxexpedition.com/store/pc/CP-M-8p2.htm> on Jan. 2, 2013.
 Bagaboo Cellphone Holster, accessed on the Internet at: <http://www.bagaboo.hu/en/catalogue/cell-phone-holster> on Nov. 22, 2013.
 Archive Cell Holster V.2, accessed on the Internet at: <http://archivebag.com/holster.html#holster1> on Nov. 22, 2013.
 Brett Hamilton, Photos of Smart Phone Holster in Four Views, public use on Jan. 2008, SIMPLE.BE LLC, Lake Oswego, OR.

* cited by examiner

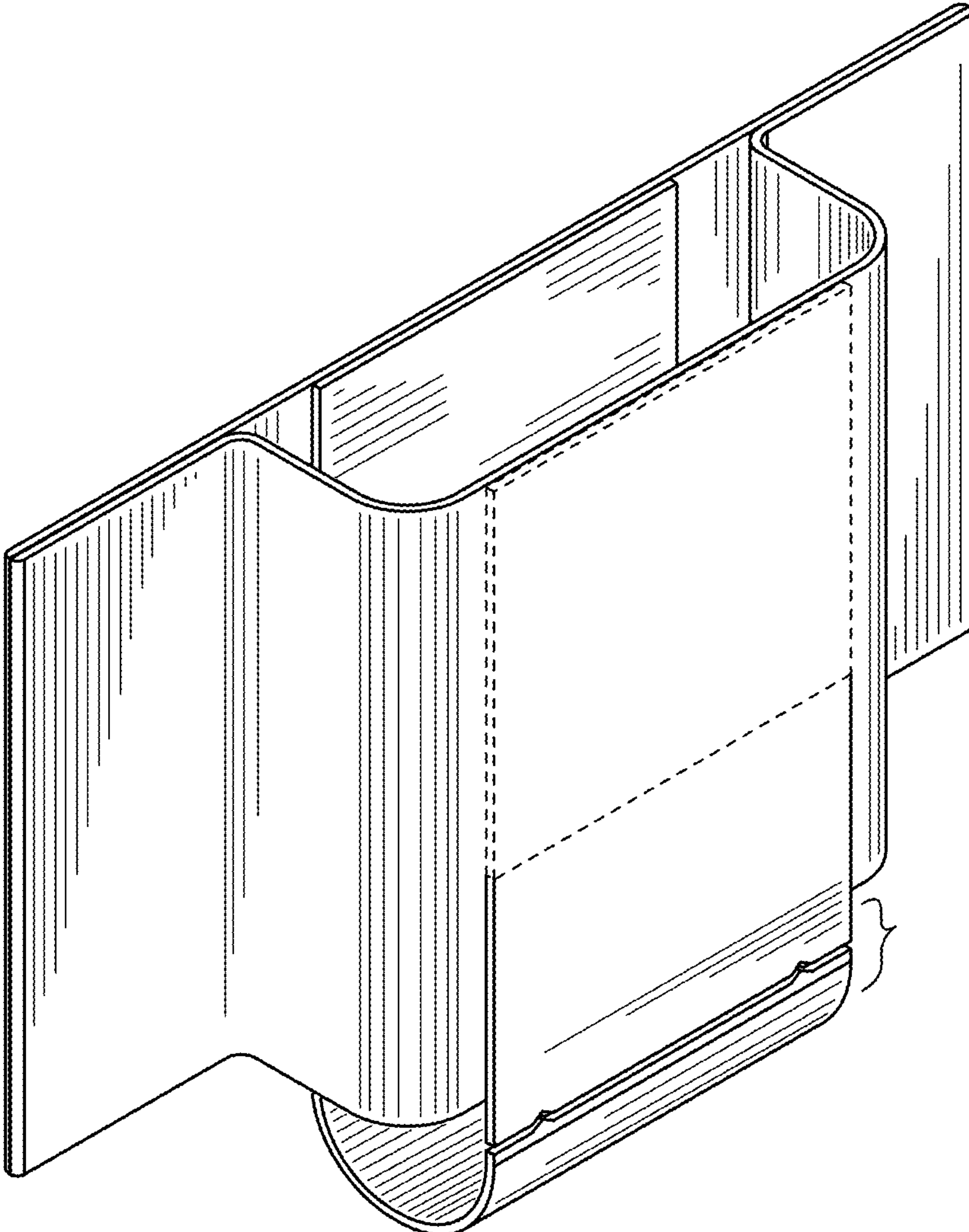


FIG. 1

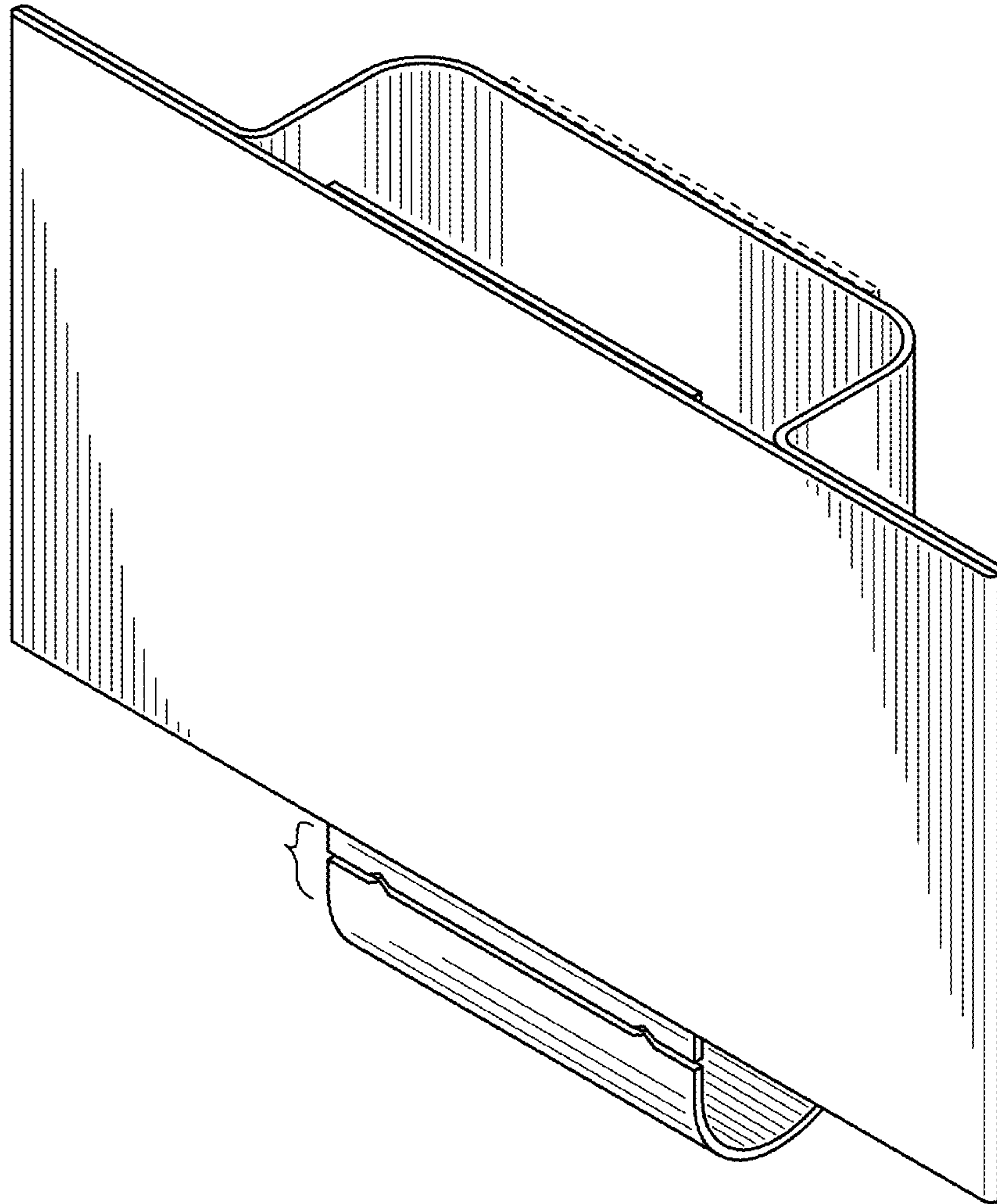


FIG. 2

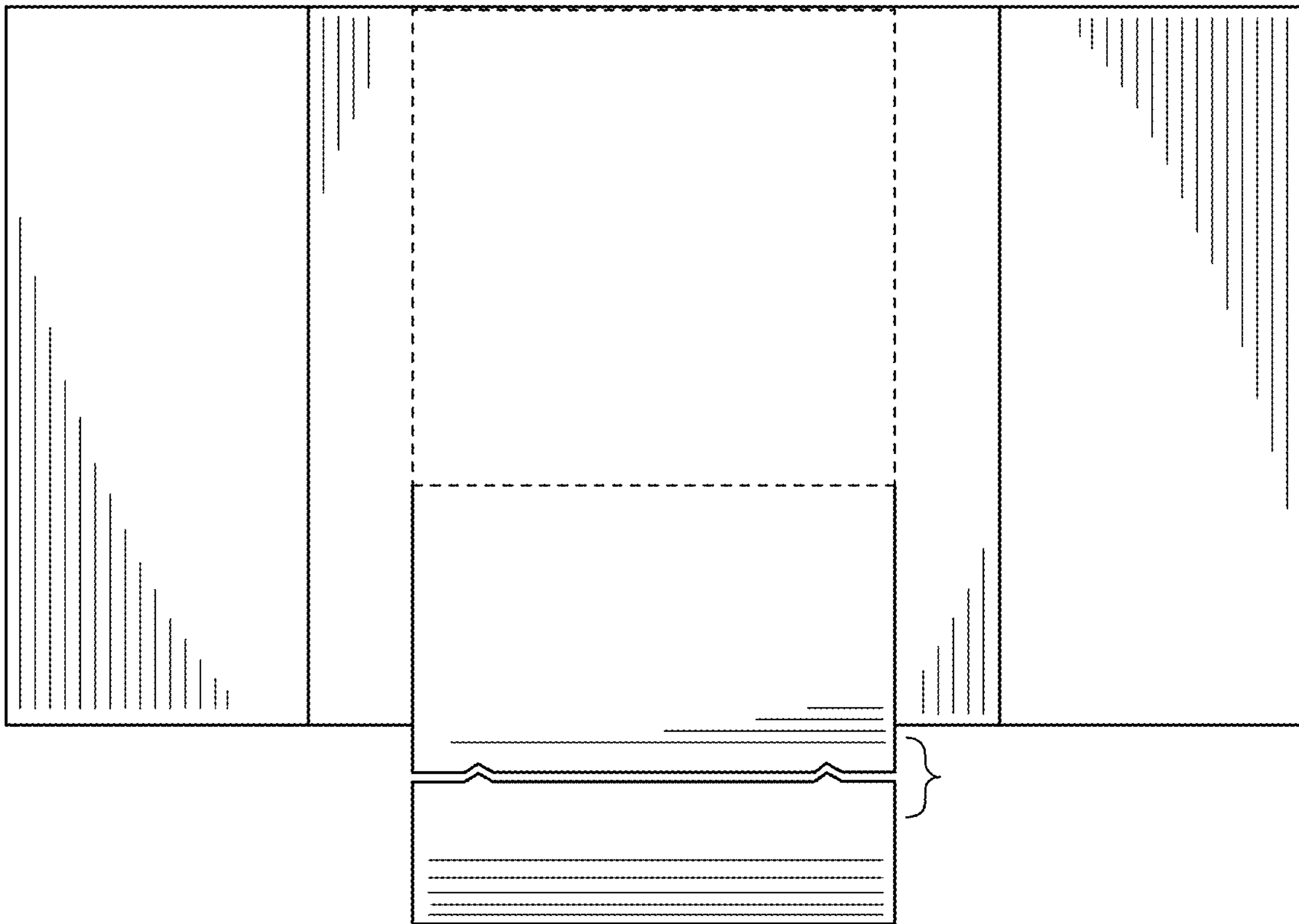


FIG. 3



FIG. 4

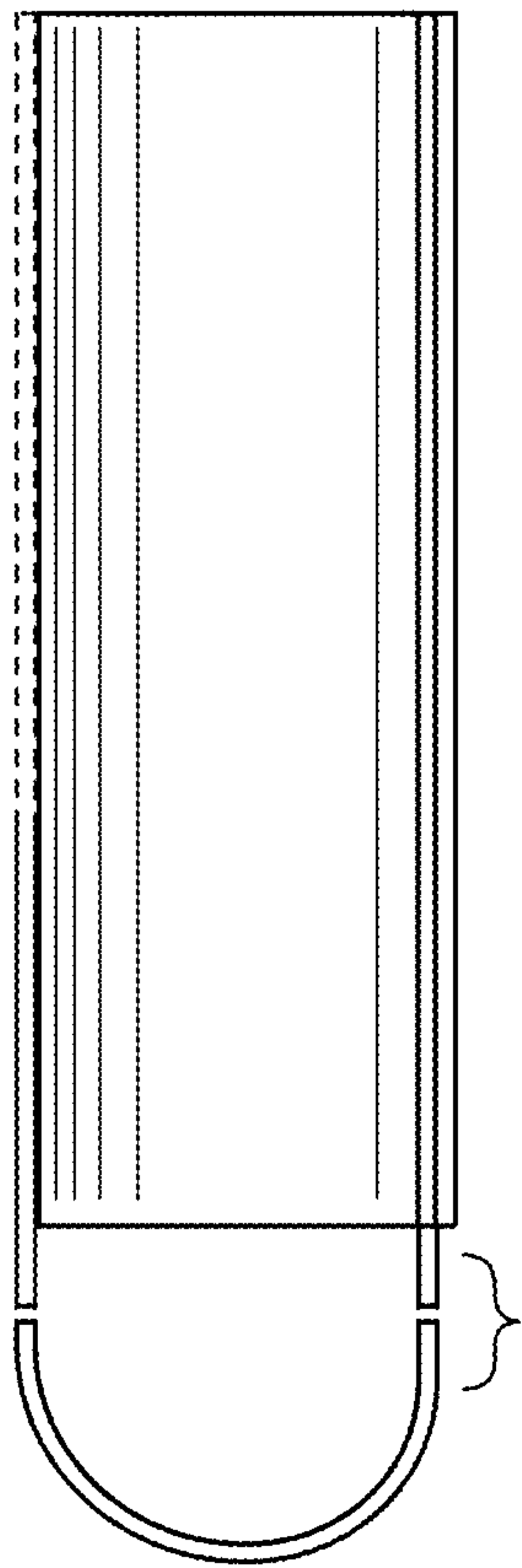


FIG. 5

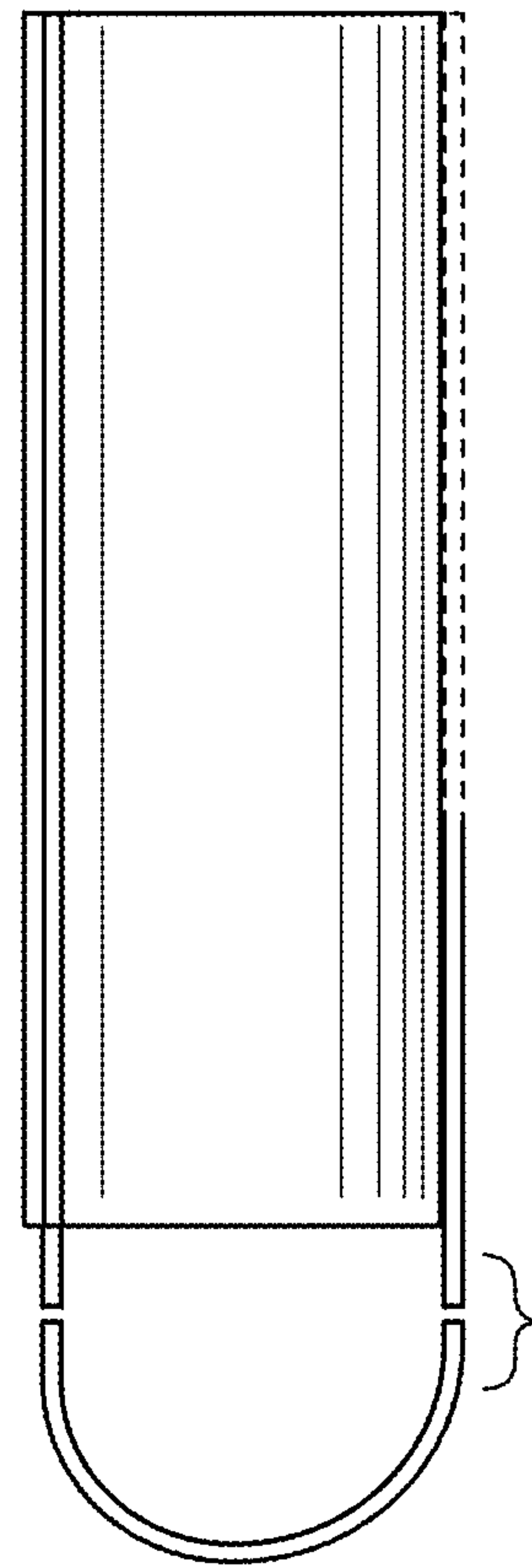


FIG. 6

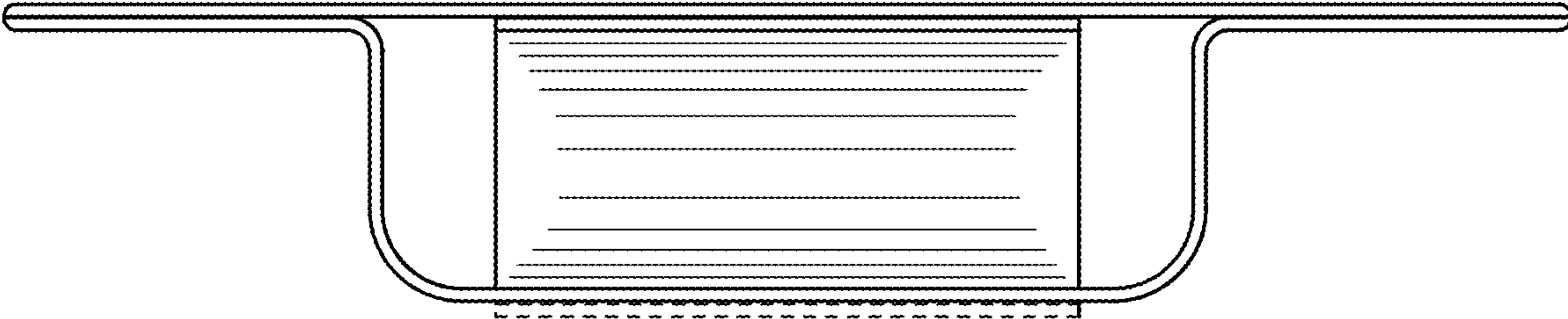


FIG. 7

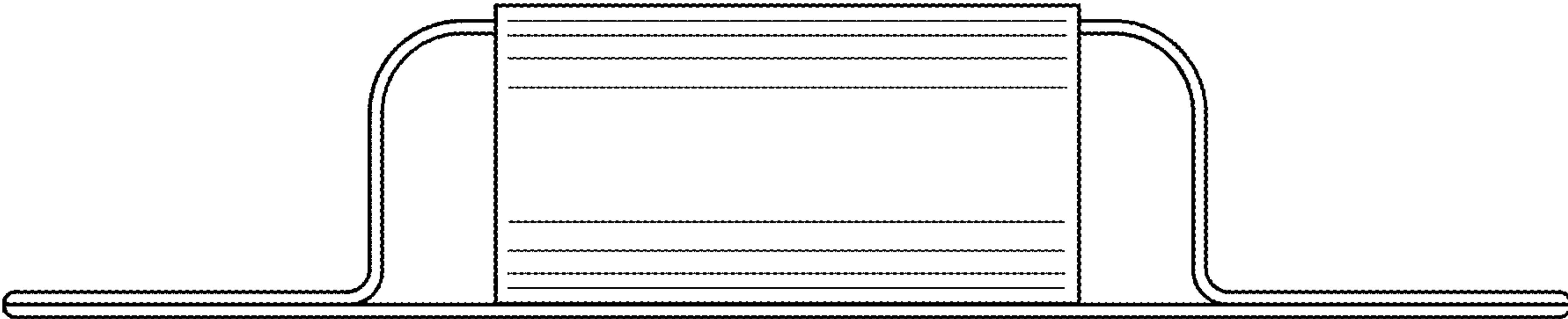


FIG. 8