



US00D876049S

(12) **United States Design Patent**
Lord

(10) **Patent No.:** **US D876,049 S**

(45) **Date of Patent:** **** Feb. 25, 2020**

(54) **HEADWEAR WITH HAIR BUNDLING ASSEMBLY**

(71) Applicant: **Victoria Catherine Lord**, Toronto (CA)

(72) Inventor: **Victoria Catherine Lord**, Toronto (CA)

(73) Assignee: **TOP KNOT, INC.**, Toronto (CA)

(**) Term: **15 Years**

(21) Appl. No.: **29/648,866**

(22) Filed: **May 24, 2018**

(51) **LOC (12) Cl.** **02-03**

(52) **U.S. Cl.**
USPC **D2/875; D2/882**

(58) **Field of Classification Search**
USPC D2/825, 826, 865, 866, 875, 876, 877, D2/878, 879, 880, 881, 882, 883, 884, D2/885, 886, 887, 888, 891, 893
CPC A42B 1/00; A42B 1/002; A42B 1/004; A42B 1/006; A42B 1/02; A42B 1/062; A42B 1/063; A42B 1/201; A42B 1/225; A42C 5/04

See application file for complete search history.

(56) **References Cited**

U.S. PATENT DOCUMENTS

| | | | | | |
|-----------|------|---------|------------|-------|-----------------------|
| 1,505,289 | A * | 8/1924 | Sanders | | A45D 8/40 132/274 |
| 6,357,051 | B1 * | 3/2002 | Lee | | A42B 1/201 2/195.1 |
| D497,467 | S * | 10/2004 | Srivastava | | D2/894 |
| D507,693 | S * | 7/2005 | Walton | | D2/825 |
| D593,732 | S * | 6/2009 | Tilley | | D2/886 |
| D633,281 | S * | 3/2011 | Rhodes | | D2/881 |

| | | | | | |
|--------------|------|---------|----------------|-------|------------|
| D670,068 | S * | 11/2012 | Bomze | | D2/889 |
| D674,167 | S * | 1/2013 | Ehler | | D2/826 |
| D712,637 | S * | 9/2014 | Thompson | | D2/889 |
| D750,356 | S * | 3/2016 | McLendon | | D2/889 |
| D771,913 | S * | 11/2016 | Hernandez, Jr. | | D2/882 |
| D818,245 | S * | 5/2018 | Richardson | | D2/826 |
| 2017/0265554 | A1 * | 9/2017 | Woodle | | A42B 1/203 |

* cited by examiner

Primary Examiner — Karen S Acker
Assistant Examiner — Jasmine Mlinarcik

(57) **CLAIM**

The ornamental design for a headwear with hair bundling assembly, as shown and described.

DESCRIPTION

FIG. 1 is a top, rear and right side perspective view of a headwear with hair bundling assembly showing my new design with the hair bundling assembly in a closed configuration;

FIG. 2 is a right side view thereof;

FIG. 3 is a left side view thereof;

FIG. 4 is a top elevational view thereof;

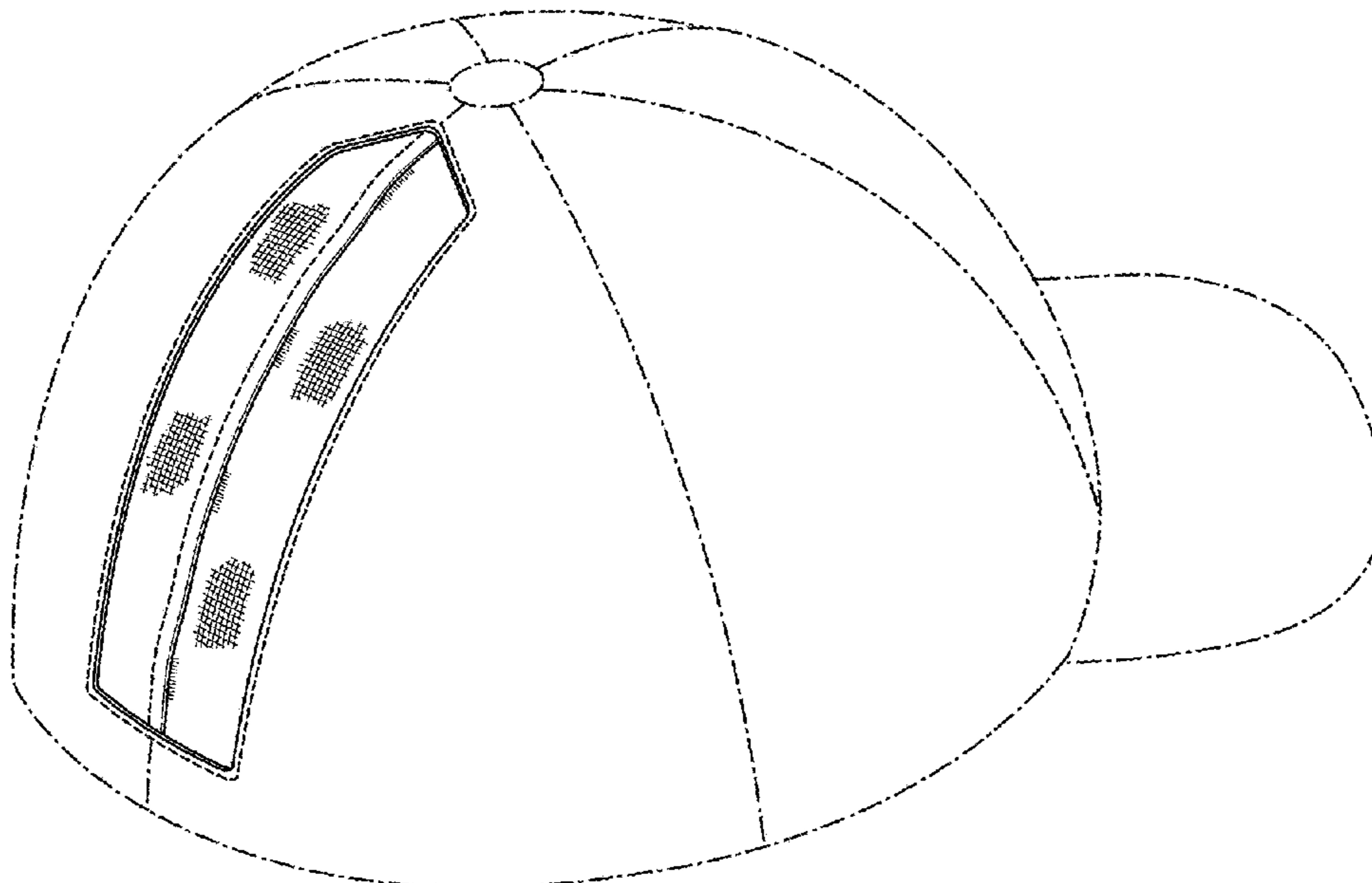
FIG. 5 is a bottom elevational view thereof;

FIG. 6 is a rear view thereof;

FIG. 7 is a top, rear and right side perspective view thereof, with the hair bundling assembly shown in an open configuration; and,

FIG. 8 is an environmental view of the headwear worn by a user with hair pulled through the hair bundling assembly. The even incremented dashed lines depict claimed stitching. The outermost encompassing dashed stitching line defines the scope of the claimed design along the exterior surface of the headwear with hair bundling assembly. The dash-dot-dash broken lines depict portions of the headwear with hair bundling assembly that form no part of the claimed design.

1 Claim, 8 Drawing Sheets



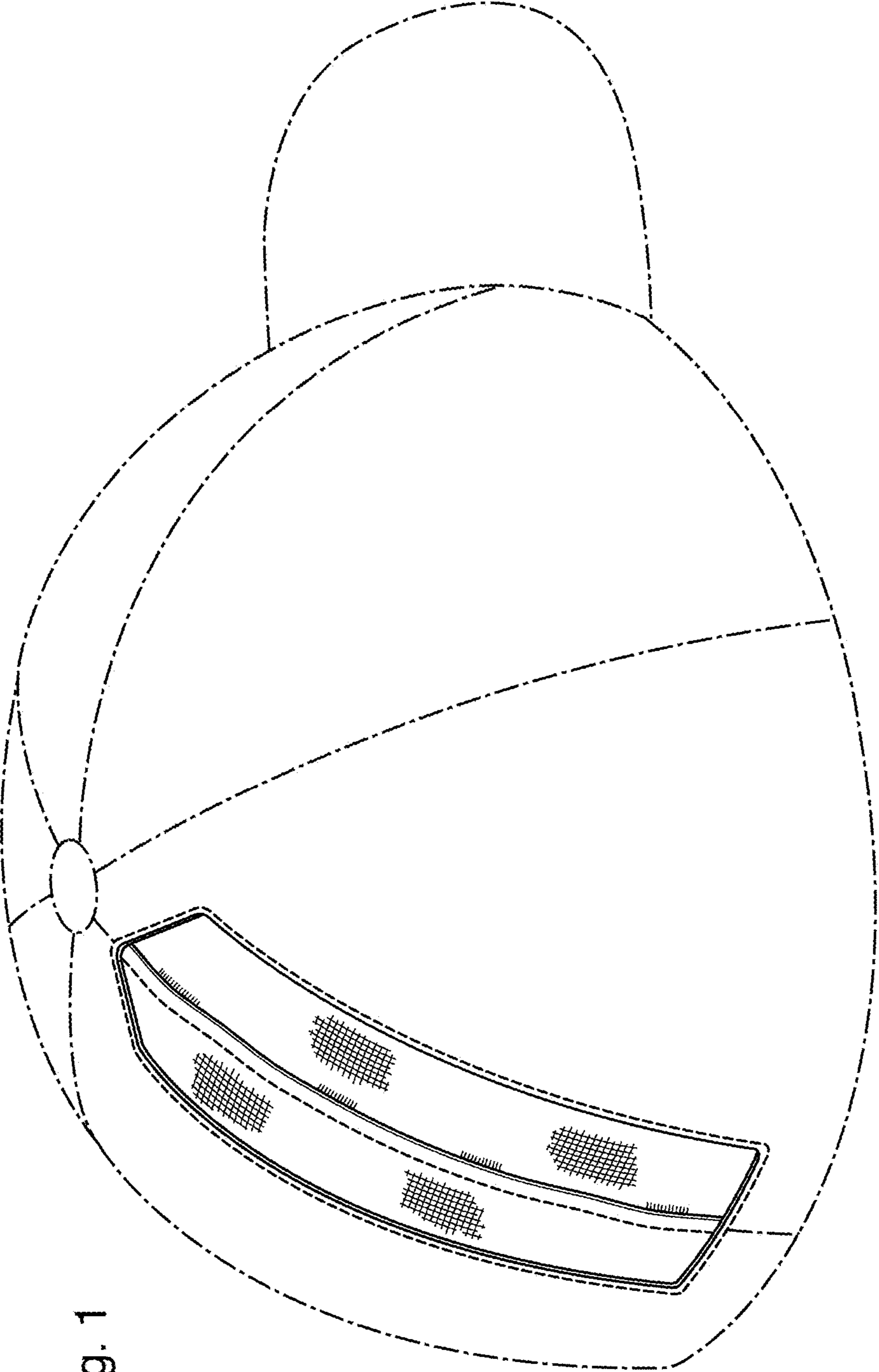


Fig. 1

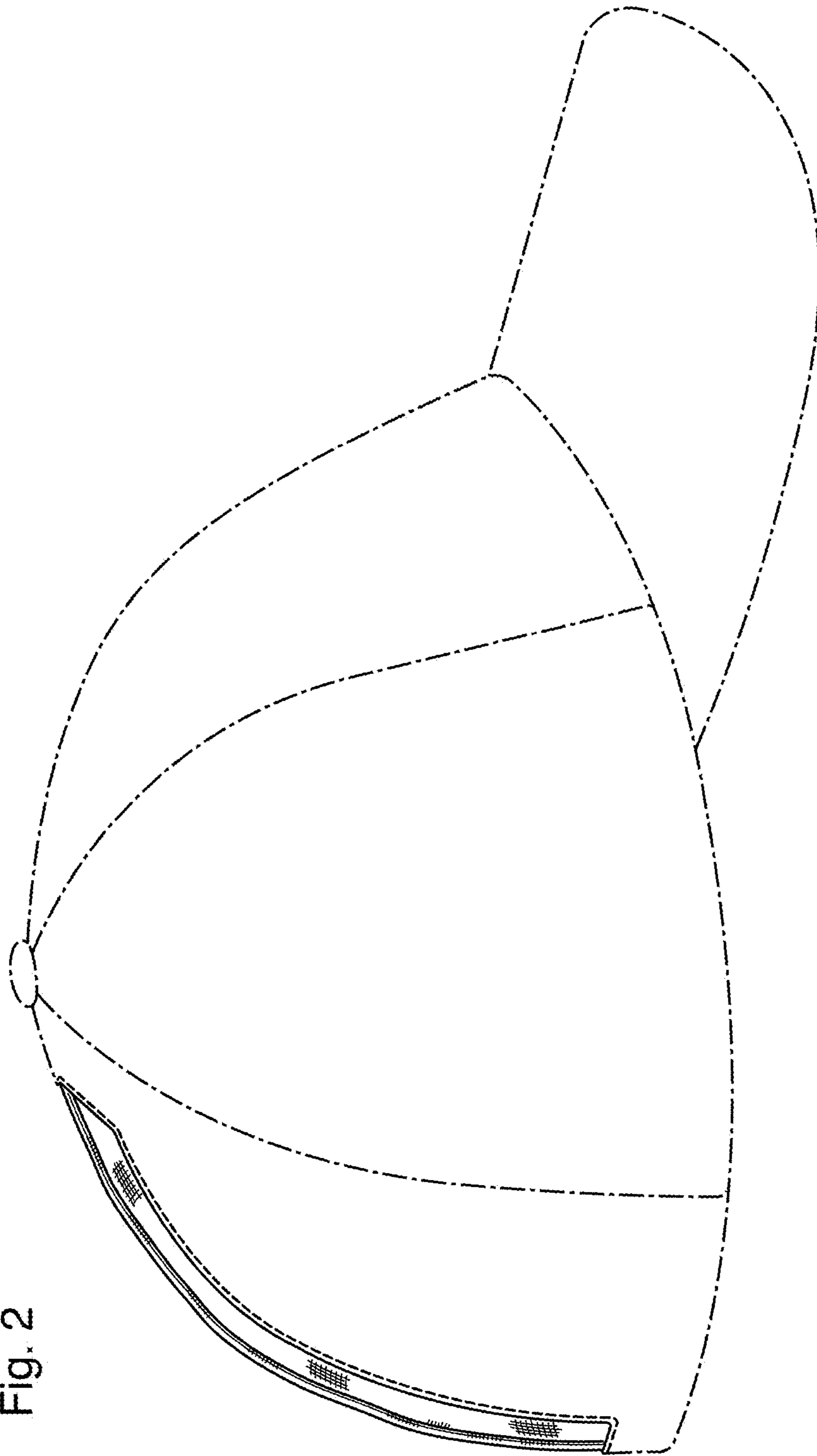


Fig. 2

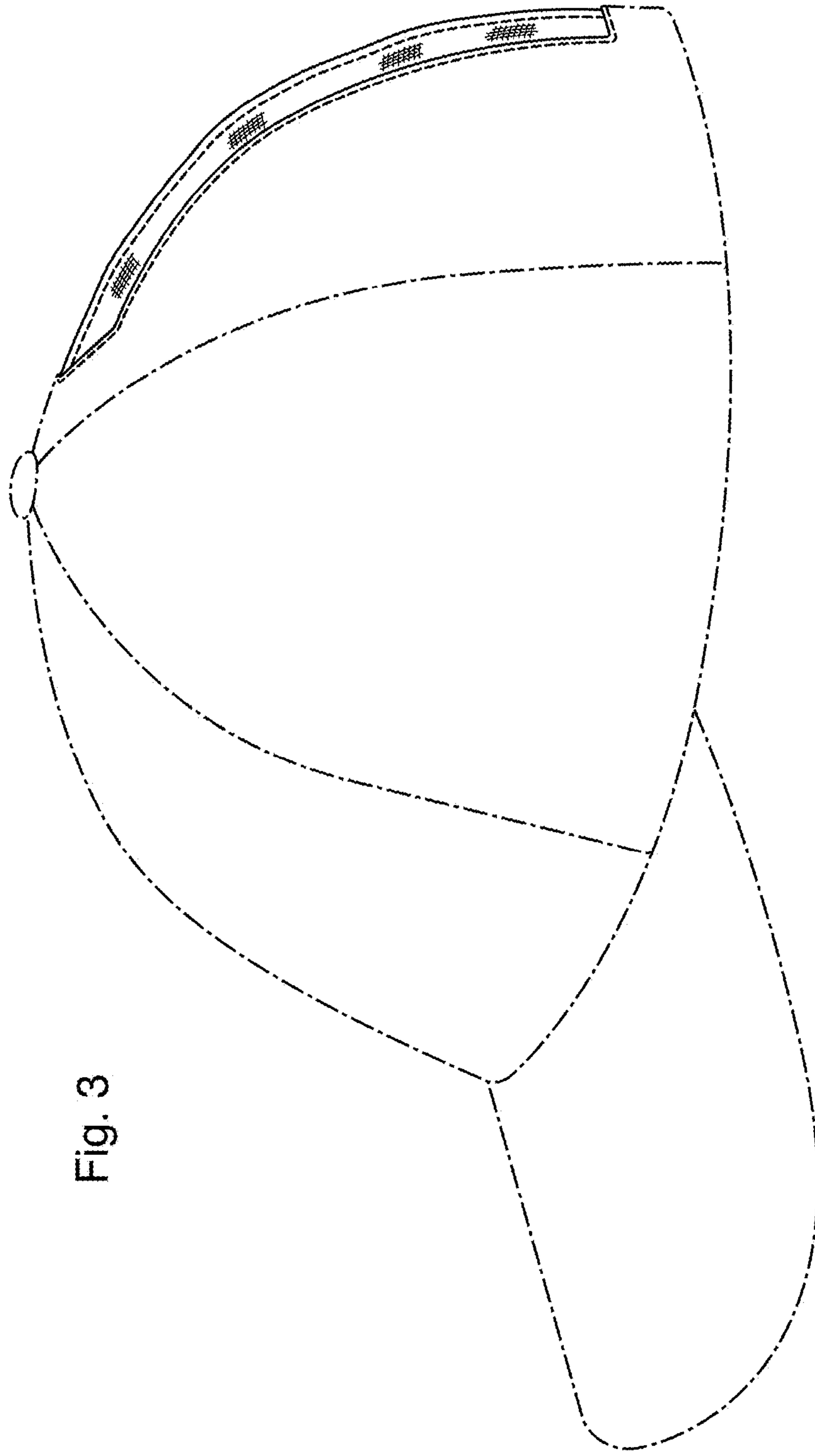


Fig. 3

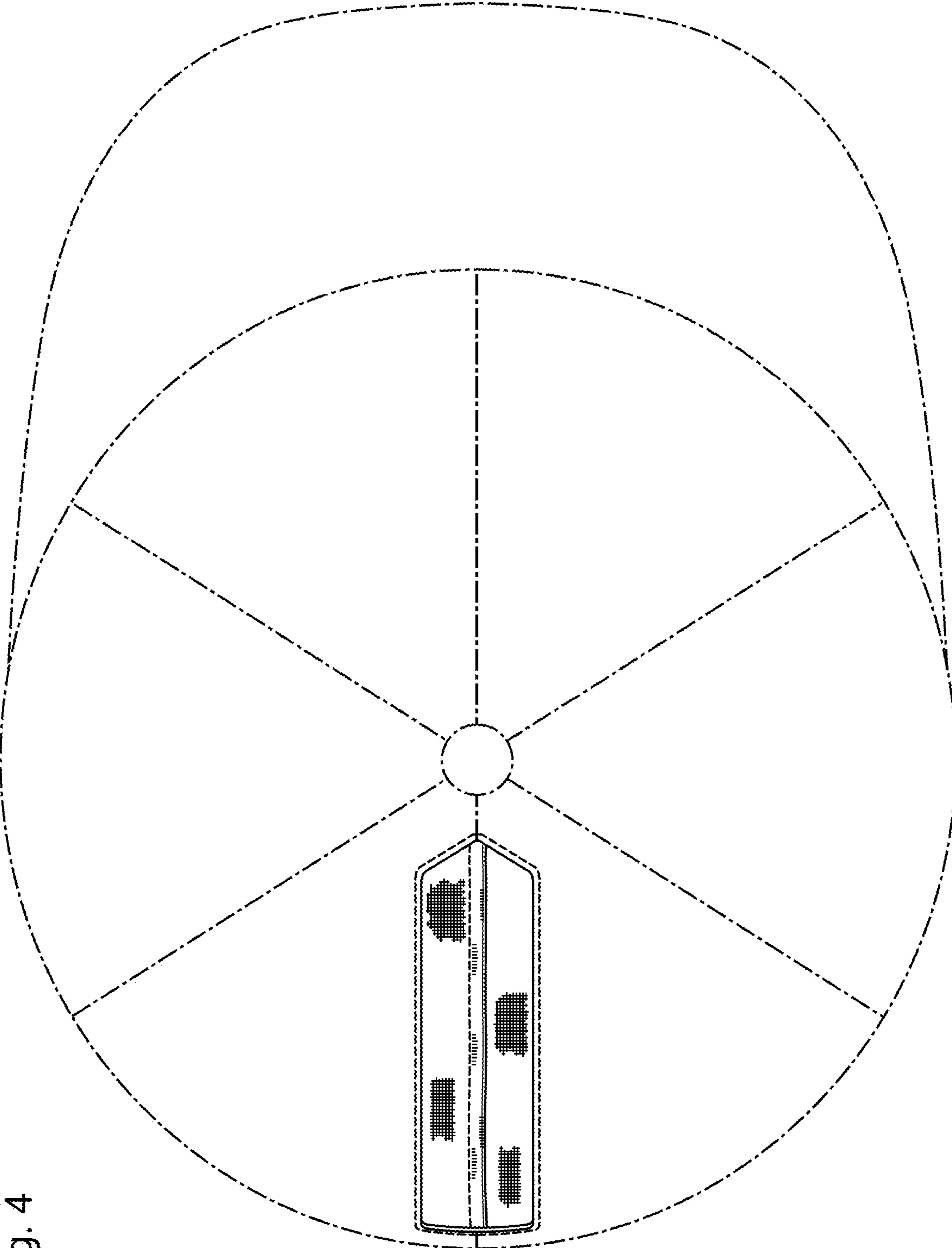


Fig. 4

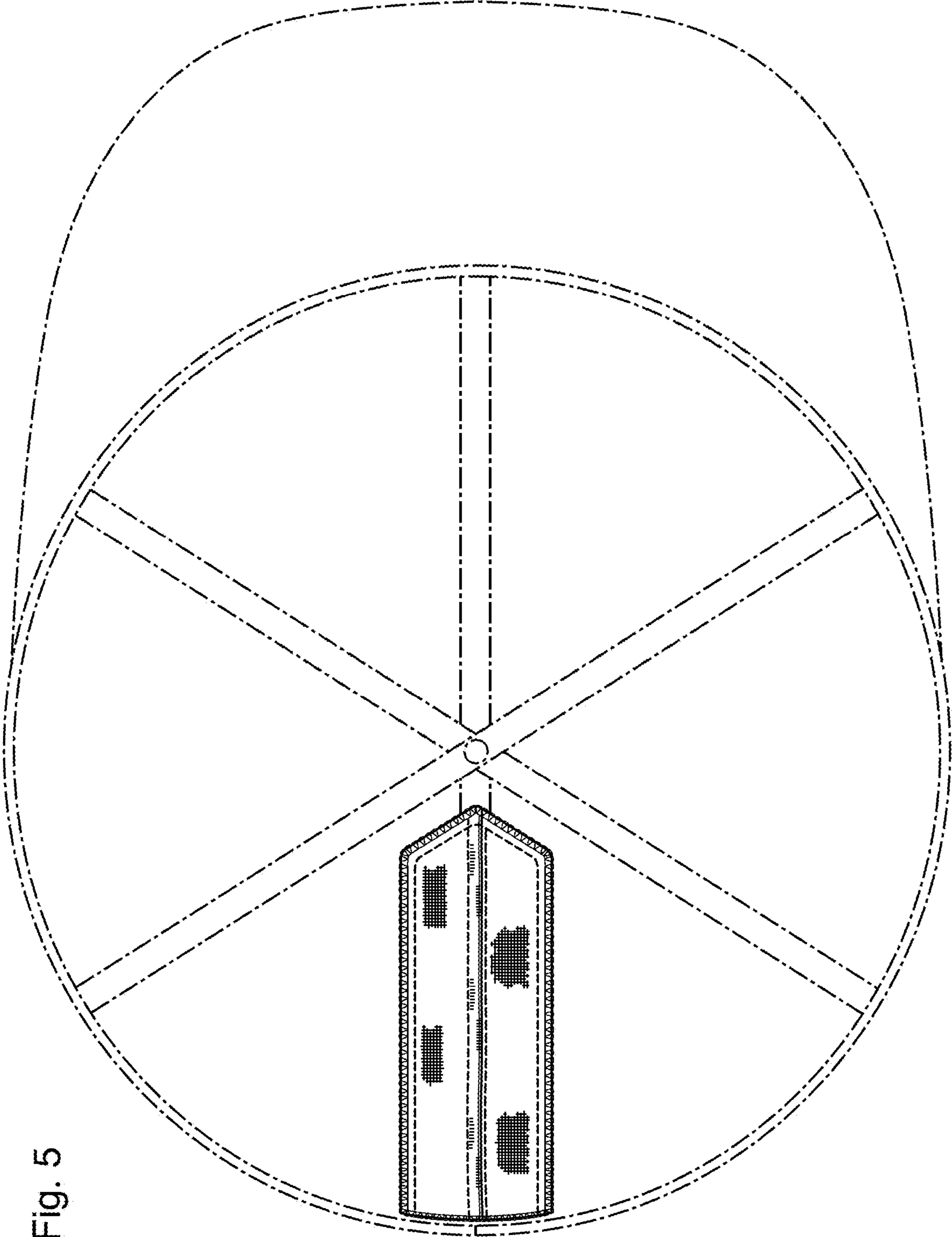


Fig. 5

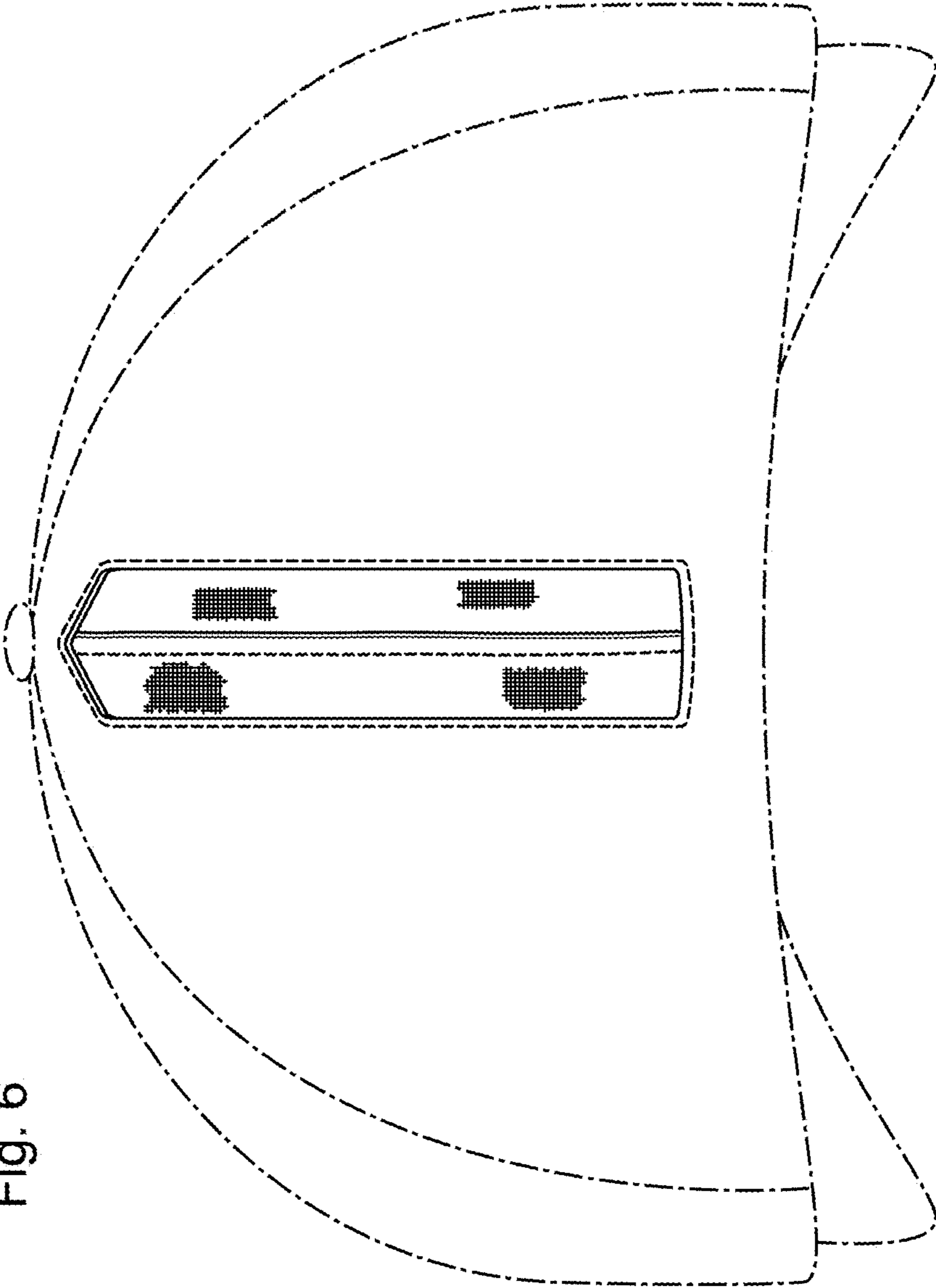


Fig. 6

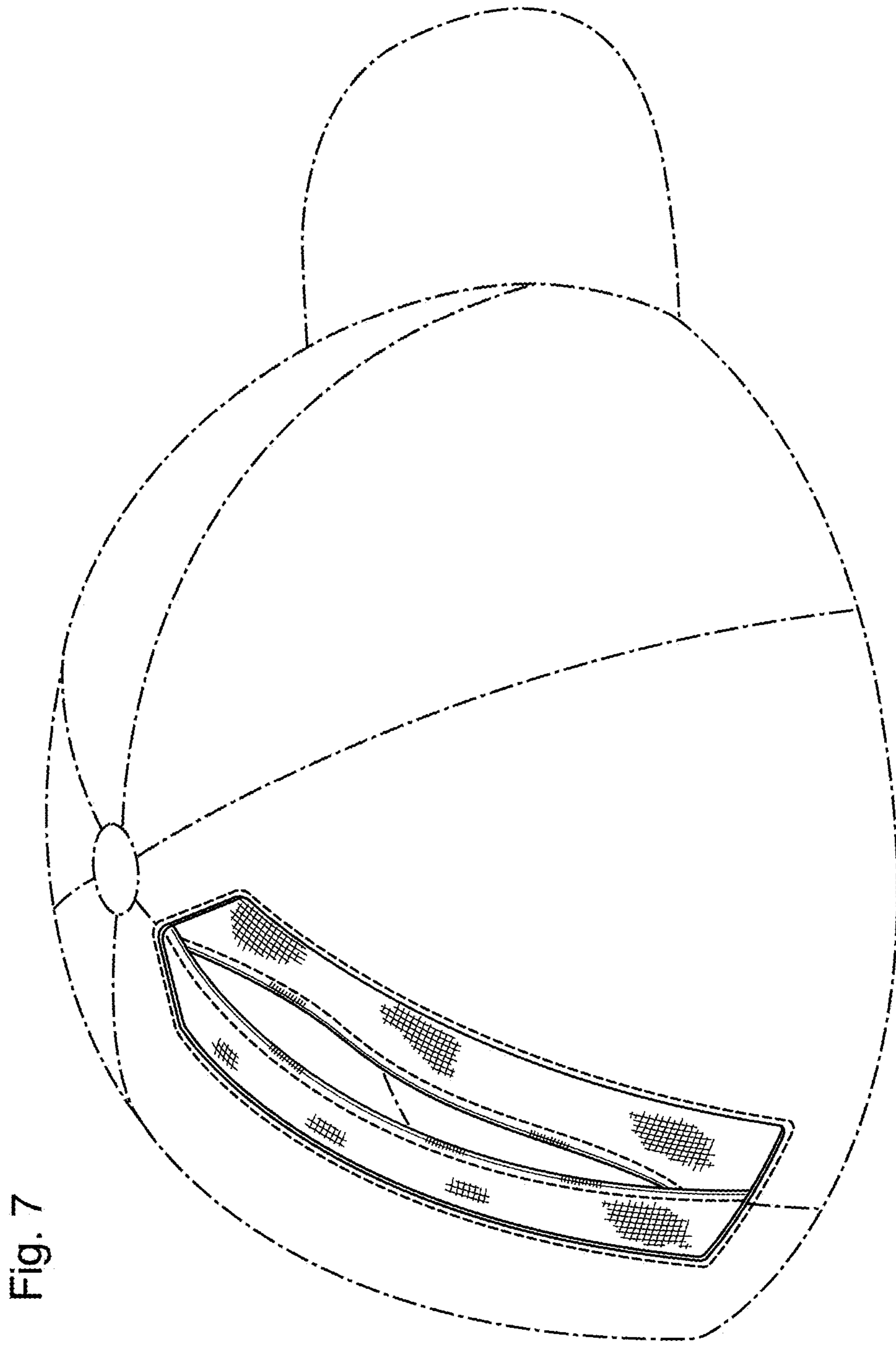


Fig. 7

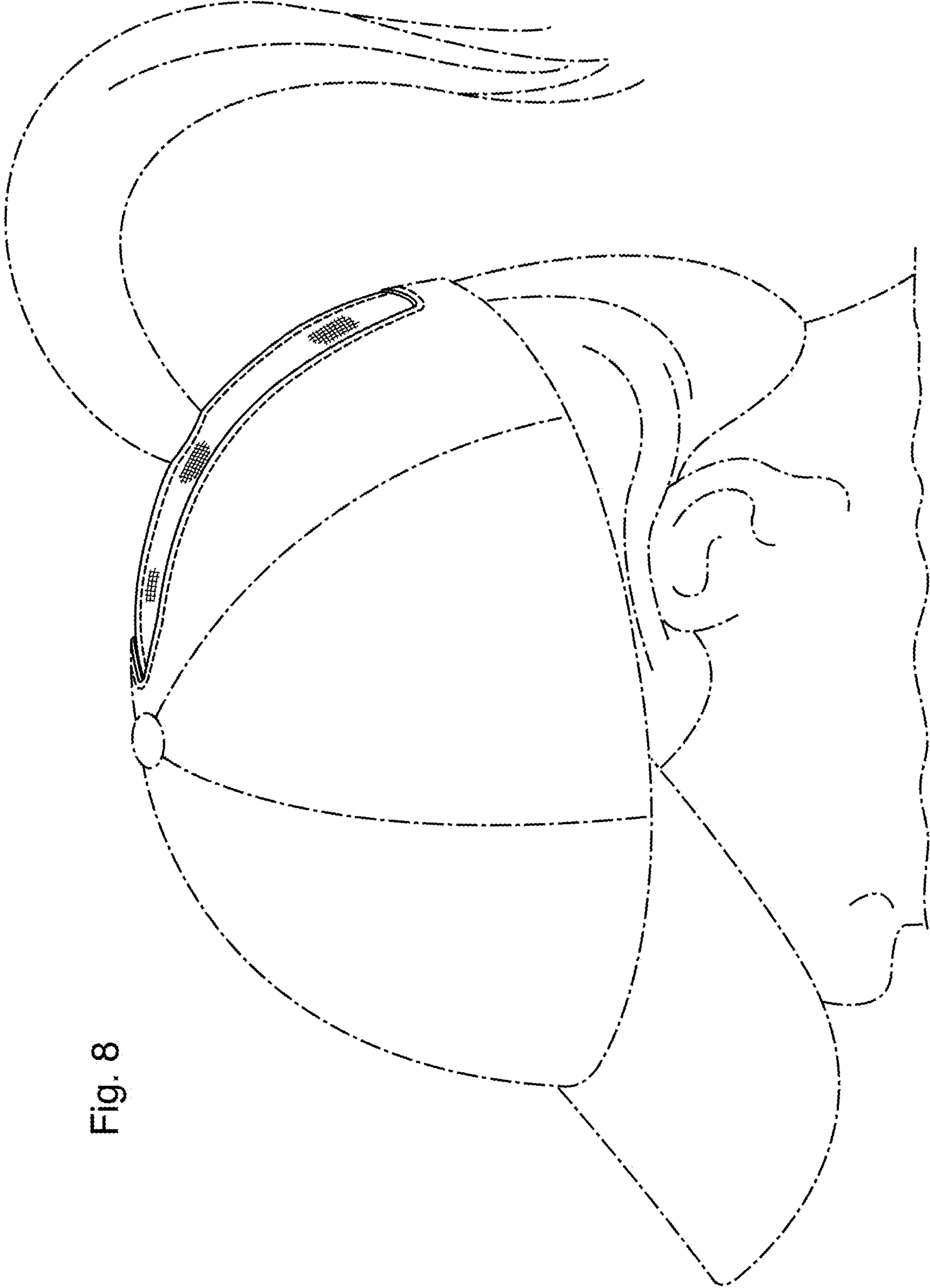


Fig. 8