



US00D876048S

(12) **United States Design Patent** (10) **Patent No.:** **US D876,048 S**  
**Palomo et al.** (45) **Date of Patent:** **\*\* Feb. 25, 2020**

(54) **MEDICAL GOWN**  
(71) Applicant: **ALLEGIANCE CORPORATION**,  
Waukegan, IL (US)  
(72) Inventors: **Joseph Angelo Palomo**, Fox Lake, IL  
(US); **Eric Dale Euteneuer**, Nevis, MN  
(US); **Lianhong Wang**, Singapore  
(SG); **Kyle Alexander Cushman**,  
Powell, OH (US); **Rogelio Reyes**, El  
Paso, TX (US); **Armando Quinonez**,  
El Paso, TX (US); **Stephen James Cox**,  
Gurnee, IL (US)

D351,712 S 10/1994 Jackson  
D356,204 S \* 3/1995 Derrickson ..... D2/720  
D374,113 S \* 10/1996 Console ..... D2/720  
6,460,187 B1 \* 10/2002 Siegel ..... A41D 13/1245  
2/114  
D495,468 S \* 9/2004 Wheeler-Dickson ..... D2/720  
D533,982 S 12/2006 Graneto, III  
D564,730 S \* 3/2008 Farrell ..... D2/720  
D565,279 S \* 4/2008 Farrell ..... D2/720  
D598,638 S 8/2009 Graneto, III  
D613,035 S 4/2010 Lunt et al.  
D618,884 S 7/2010 Zhu  
D622,934 S 9/2010 Graneto, III  
D624,280 S 9/2010 Halseth  
D646,463 S 10/2011 Petrovskis et al.  
D687,209 S 8/2013 Levine

(73) Assignee: **ALLEGIANCE CORPORATION**,  
Dublin, OH (US)

(\*\*) Term: **15 Years**

(21) Appl. No.: **29/647,532**

(22) Filed: **May 14, 2018**

(51) **LOC (12) Cl.** ..... **02-01**

(52) **U.S. Cl.**  
USPC ..... **D2/720**

(58) **Field of Classification Search**  
USPC ..... D2/720, 718, 717, 728, 739, 749-751,  
D2/840-842, 847-850  
CPC ..... A41D 13/1236; A41D 13/1245; A41D  
13/1254; A41D 13/12; A41D 13/1209  
See application file for complete search history.

(56) **References Cited**

**U.S. PATENT DOCUMENTS**

3,911,499 A \* 10/1975 Benevento ..... A41D 13/1209  
2/114  
D305,575 S \* 1/1990 Gordon ..... D2/720  
5,088,117 A \* 2/1992 Fulmer ..... A41D 13/129  
2/106  
5,271,100 A \* 12/1993 Holt ..... A41D 13/1209  
2/114

(Continued)

**FOREIGN PATENT DOCUMENTS**

CA 129367 S 8/2009  
CA 135042 S 11/2010

(Continued)

*Primary Examiner* — Michelle E. Wilson

*Assistant Examiner* — Clese Moore, Jr.

(74) *Attorney, Agent, or Firm* — Arent Fox LLP

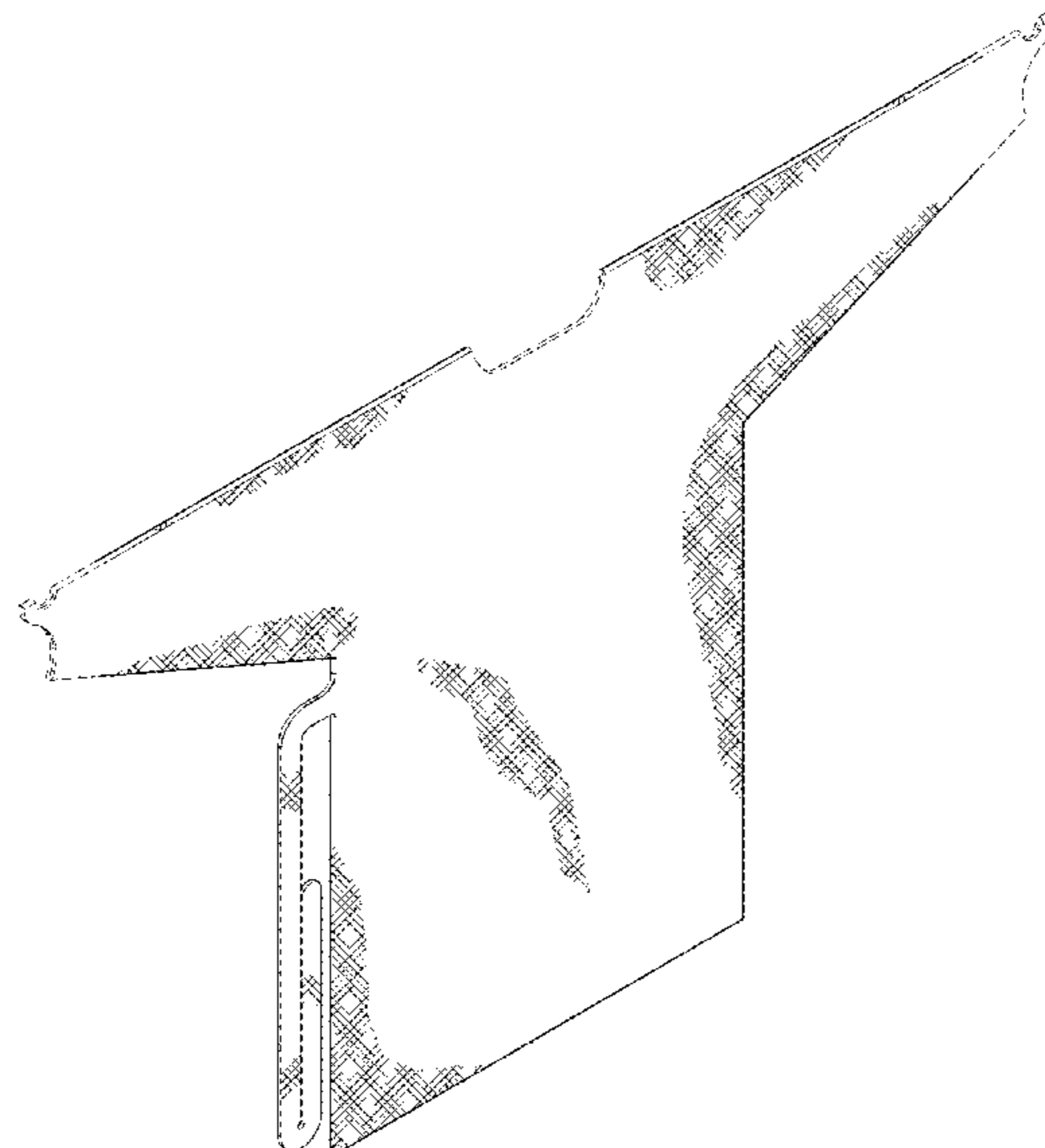
(57) **CLAIM**

The ornamental design for medical gown, as shown.

**DESCRIPTION**

FIG. 1 is a front perspective view of a medical gown;  
FIG. 2 is a front elevational view thereof;  
FIG. 3 is rear elevational view thereof;  
FIG. 4 is a left side view thereof;  
FIG. 5 is a right side view thereof;  
FIG. 6 is a top view thereof;  
FIG. 7 is a bottom view thereof; and,  
FIG. 8 is a rear perspective view thereof.

**1 Claim, 6 Drawing Sheets**



(56)

References Cited

U.S. PATENT DOCUMENTS

D690,078 S \* 9/2013 Anderson ..... D2/720  
 D721,870 S 2/2015 Levine  
 D736,493 S 8/2015 Pasko  
 D741,044 S 10/2015 Pasko  
 D749,819 S 2/2016 Czajka et al.  
 D764,748 S 8/2016 Czajka et al.  
 D774,729 S 12/2016 Pasko  
 D779,155 S 2/2017 Pasko et al.  
 D779,156 S 2/2017 Pasko  
 D781,528 S 3/2017 Kennedy  
 D785,284 S 5/2017 Pasko  
 D787,780 S 5/2017 Pasko et al.  
 D791,434 S 7/2017 Pasko  
 D792,056 S 7/2017 Reese et al.  
 D793,031 S 8/2017 Jascomb  
 D793,651 S 8/2017 Jascomb  
 D796,781 S \* 9/2017 Calucci ..... D2/720  
 D797,401 S 9/2017 Jascomb  
 D802,884 S \* 11/2017 Bennett ..... D2/739  
 D805,733 S 12/2017 Reese et al.  
 D821,704 S \* 7/2018 Pasko ..... D2/720

2006/0277655 A1\* 12/2006 Kerr ..... A41D 13/1236  
 2/114  
 2011/0154554 A1 6/2011 Furlong  
 2013/0091615 A1 4/2013 Pasko et al.  
 2013/0191960 A1 8/2013 Pasko  
 2013/0276203 A1 10/2013 Pasko et al.  
 2013/0276204 A1 10/2013 Pasko et al.  
 2013/0283496 A1 10/2013 Pasko et al.  
 2013/0318682 A1\* 12/2013 Graneto, III ..... A41D 13/1236  
 2/114  
 2014/0007316 A1\* 1/2014 Tommarello ..... A41D 13/1236  
 2/114  
 2015/0135398 A1 5/2015 Czajka et al.  
 2015/0208741 A1 7/2015 Pasko  
 2016/0066631 A1 3/2016 Pasko

FOREIGN PATENT DOCUMENTS

CA 144543 S 6/2013  
 CA 156205 S 1/2015  
 CA 155647 S 10/2015  
 CA 158339 S 4/2016  
 CA 158380 S 4/2016  
 CA 171333 S 7/2017

\* cited by examiner

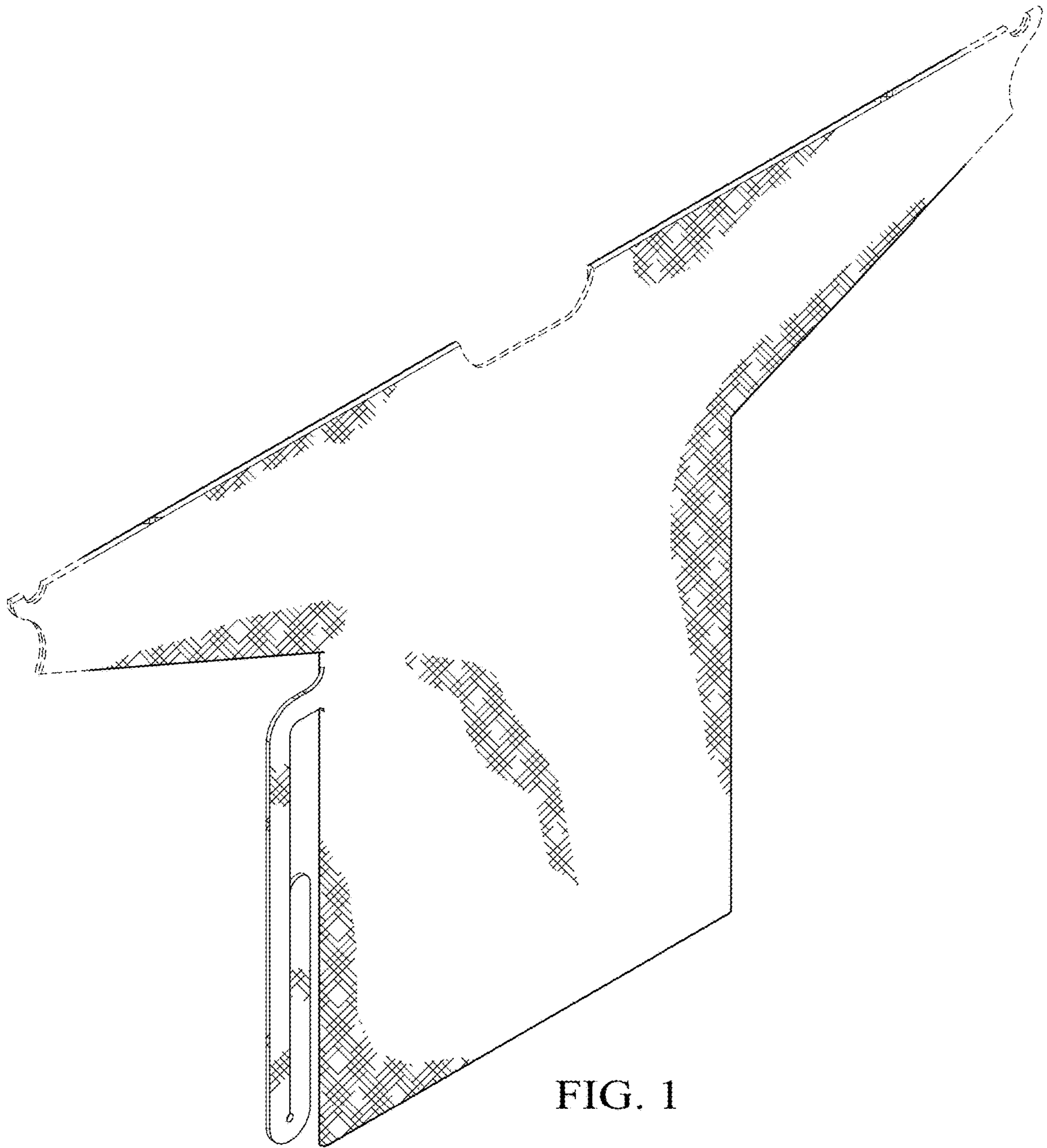


FIG. 1



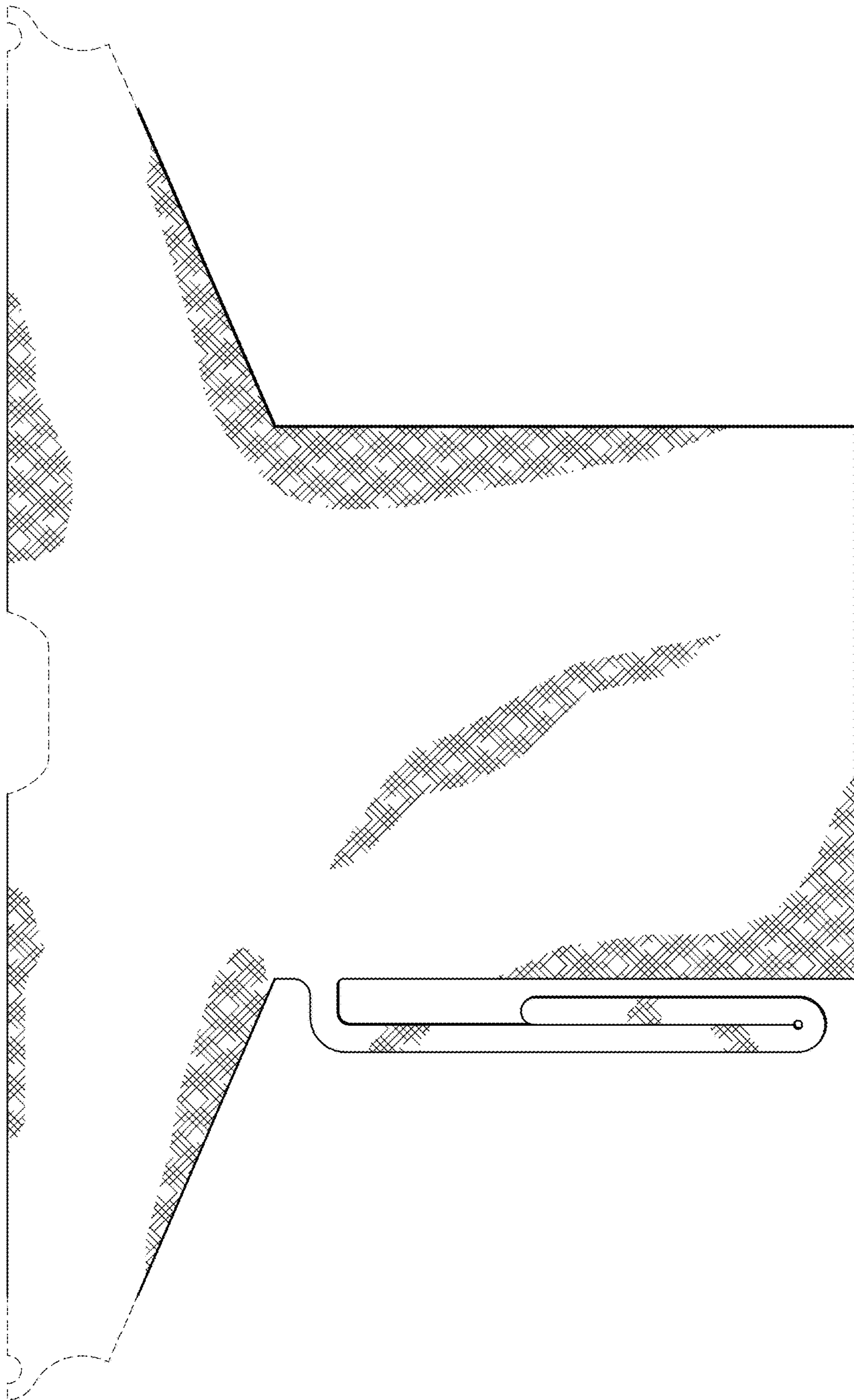


FIG. 2

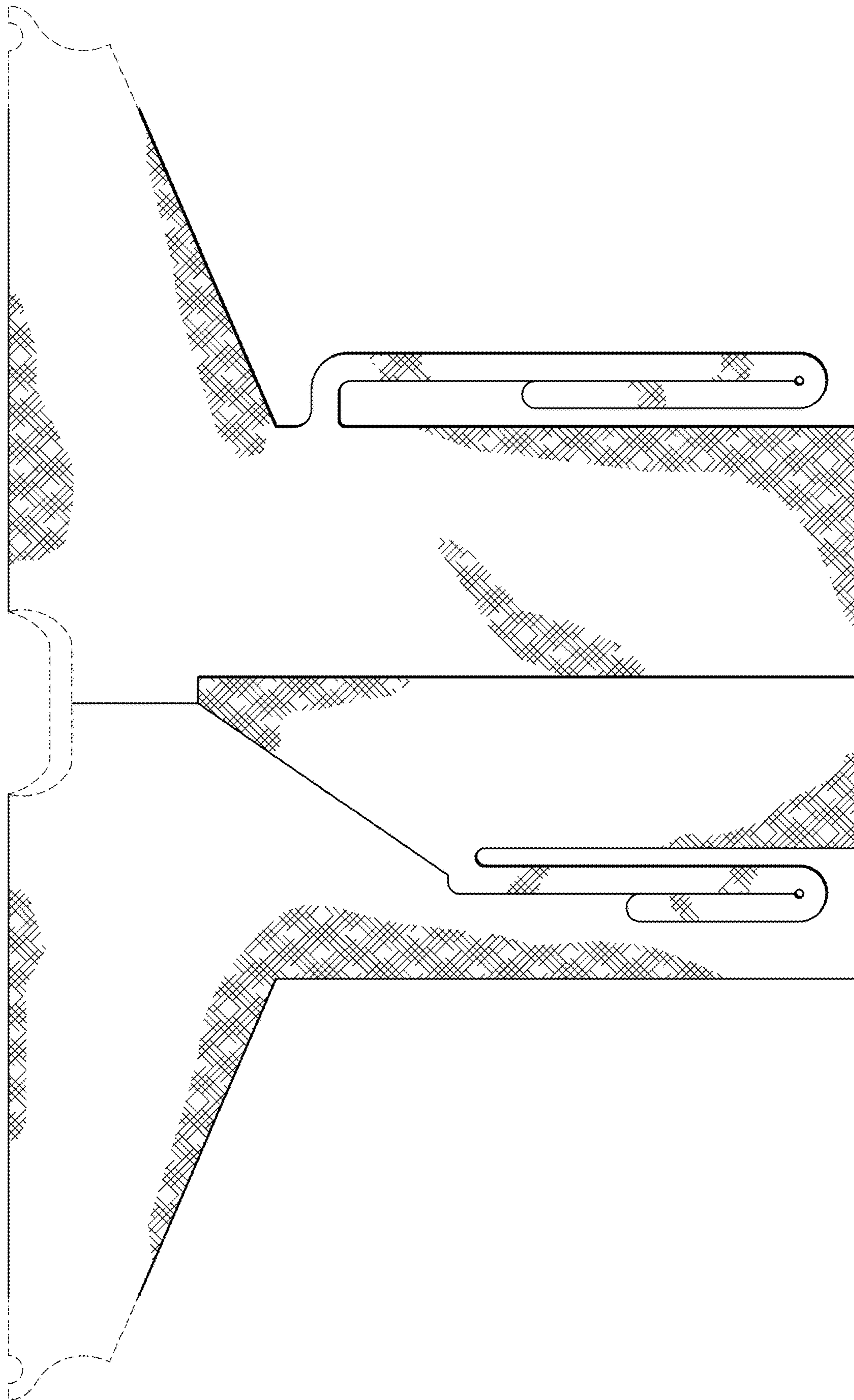


FIG. 3



FIG. 4



FIG. 5

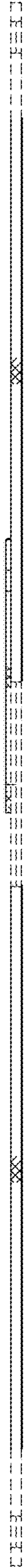


FIG. 6



FIG. 7



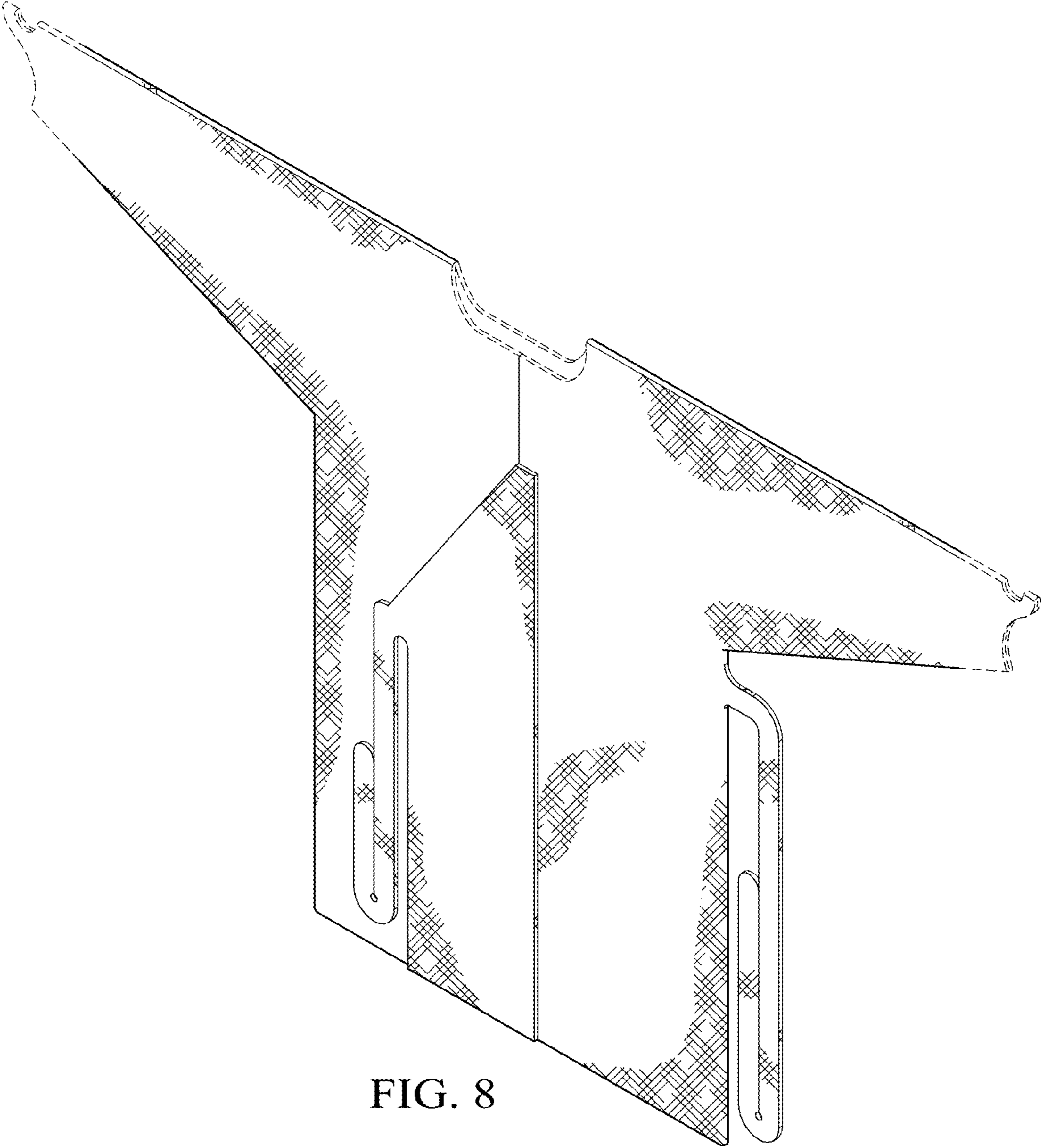


FIG. 8