



US00D876044S

(12) **United States Design Patent** (10) **Patent No.:** **US D876,044 S**
Sisco et al. (45) **Date of Patent:** **** Feb. 18, 2020**

(54) **SAFE**

(71) Applicant: **NuSafe, LLC**, New York, NY (US)

(72) Inventors: **Eugene F. Sisco**, Edgartown, MA (US);
Eric Chan, New York, NY (US); **Kai C. Valencia**, Brooklyn, NY (US);
Michael Jeremias Morath, Brooklyn, NY (US)

(73) Assignee: **URBAN SAFES, LLC**, Edgartown, MA (US)

(**) Term: **15 Years**

(21) Appl. No.: **29/695,761**

(22) Filed: **Jun. 21, 2019**

(51) **LOC (12) Cl.** **99-00**

(52) **U.S. Cl.**
USPC **D99/28**

(58) **Field of Classification Search**
USPC D99/28, 34, 35, 36, 43, 99; 109/1 R,
109/1 V, 2, 45, 49.5, 52, 58, 59 R, 78;
206/0.8, 0.81, 0.815, 0.82, 317, 527;
902/9

CPC E05G 2700/00; E05G 2700/02; E05G
2700/04; G07D 11/0006; G07D 11/0009;
G07D 9/02; G07D 9/002; G07D 11/00;
G07D 9/06; G07F 9/06; A47B 63/065;
A45C 1/12; A45C 2001/125

See application file for complete search history.

(56) **References Cited**

U.S. PATENT DOCUMENTS

166,107 A * 7/1875 Hyatt E05G 1/08
109/53
392,682 A * 11/1888 McNamara B65D 21/086
220/8
1,048,774 A * 12/1912 Whittam A45C 1/12
232/4 R
3,791,709 A 2/1974 Cross

4,647,118 A 3/1987 Kamperman
D291,019 S * 7/1987 Druihet D8/302
D308,744 S * 6/1990 Arauchi D99/28
5,085,491 A 2/1992 Lautenschlager
D446,378 S 8/2001 Fischer
6,371,288 B1 4/2002 Licata

(Continued)

FOREIGN PATENT DOCUMENTS

CN 301095005 S 12/2009
CN 301989567 S 7/2012

(Continued)

OTHER PUBLICATIONS

Anonymous, Stack-on anti-theft lock box drop down door qas-1304, Dean Safe, <https://www.deansafe.com/stackonqas1304.html> Accessed Date: Jan. 29, 2018.

Primary Examiner — Elizabeth J Oswecki
(74) *Attorney, Agent, or Firm* — Werschulz Patent Law, LLC; Patricia P. Werschulz, Esq.

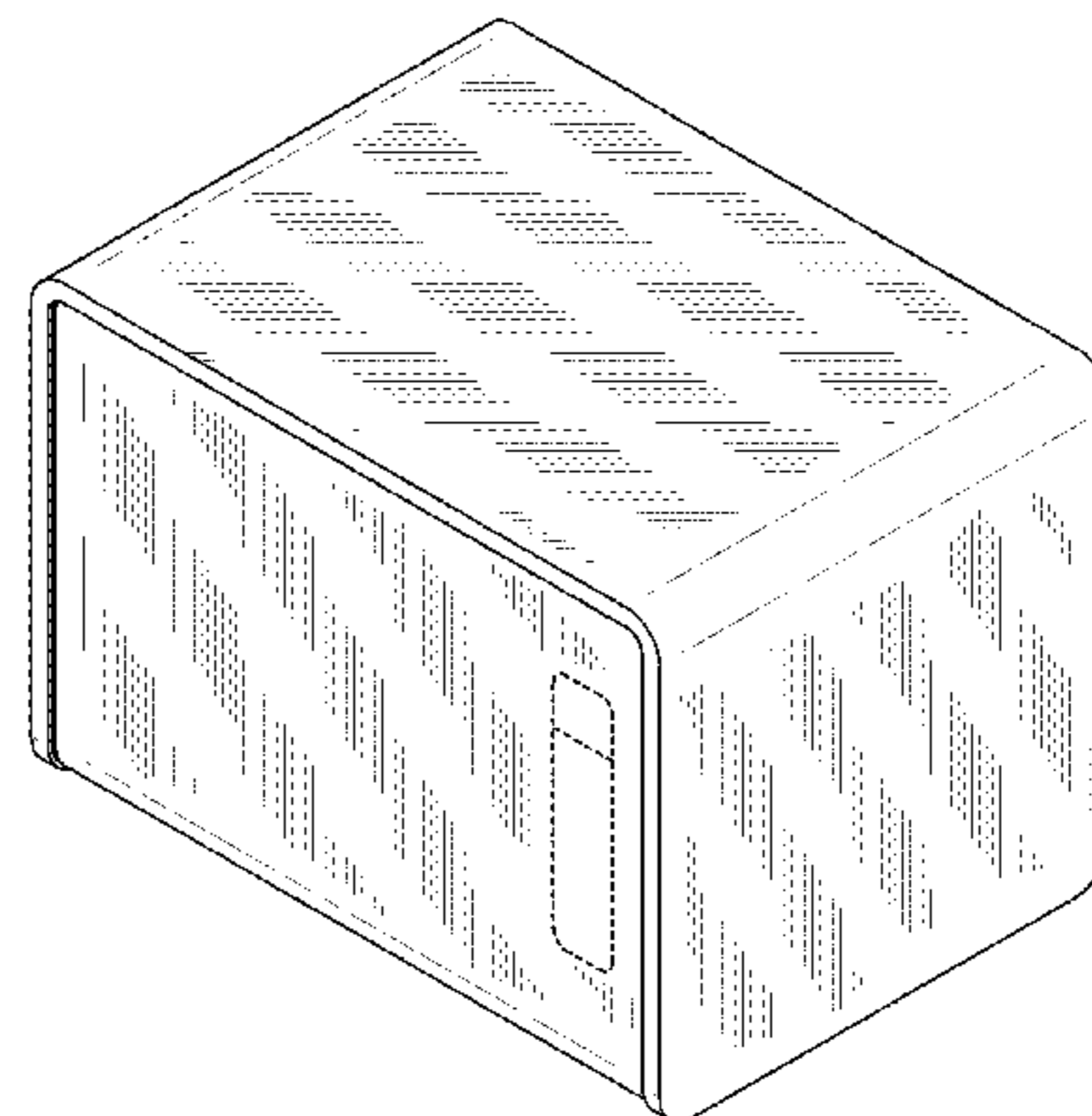
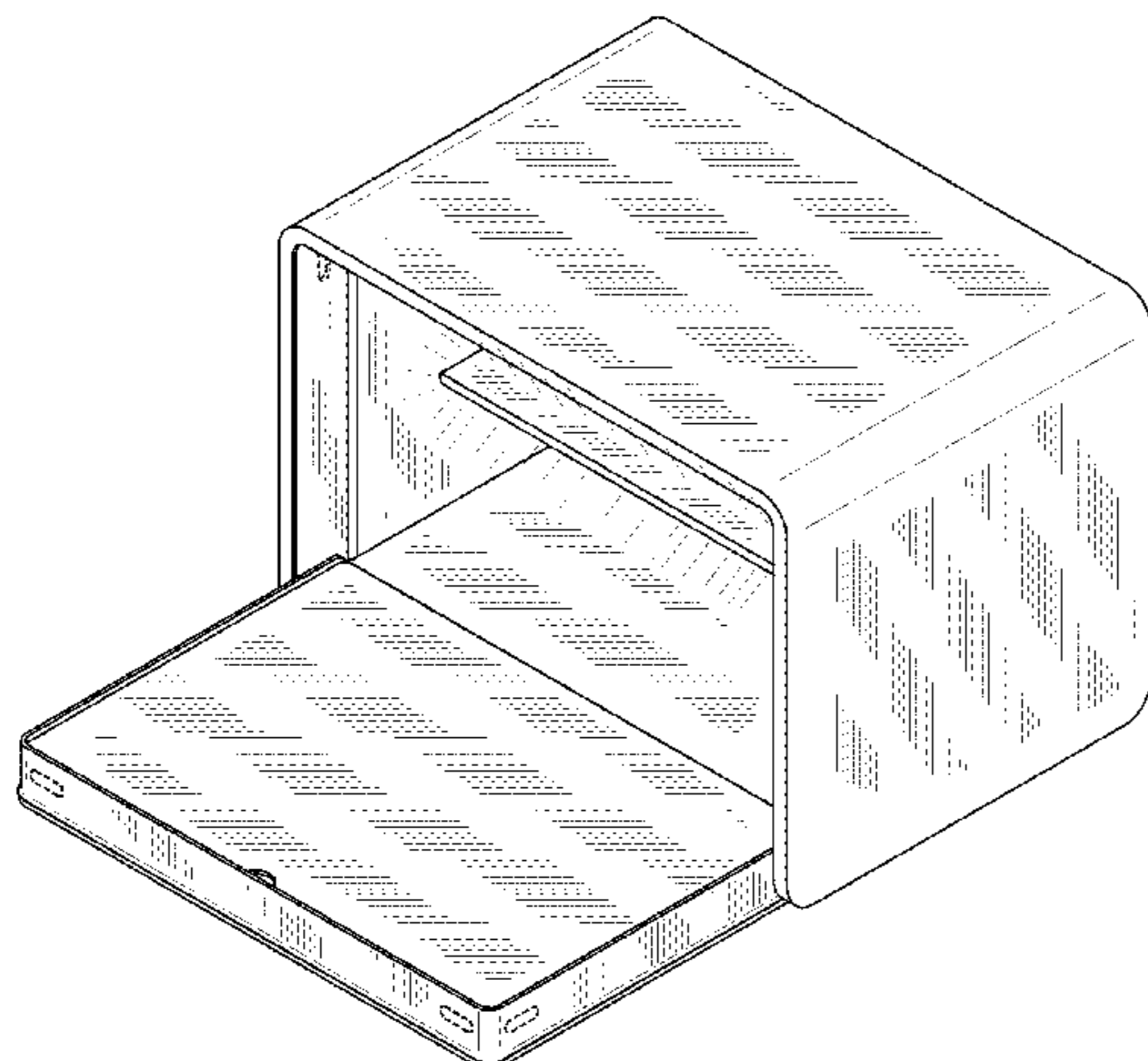
(57) **CLAIM**

The ornamental design for a safe, as shown and described.

DESCRIPTION

FIG. 1 is a perspective view of a safe in an open position, showing our new design;
FIG. 2 is a front elevational view thereof;
FIG. 3 is a rear elevational view thereof;
FIG. 4 is a top plan view thereof;
FIG. 5 is a bottom plan view thereof;
FIG. 6 is a right side elevational view thereof;
FIG. 7 is a left side elevational view thereof;
FIG. 8 is a perspective view thereof, in a closed position;
FIG. 9 is a front elevational view thereof;
FIG. 10 is a rear elevational view thereof;
FIG. 11 is a top plan view thereof;
FIG. 12 is a bottom plan view thereof;
FIG. 13 is a right side elevational view thereof; and,
FIG. 14 is a left side elevational view thereof.

1 Claim, 9 Drawing Sheets



(56)

References Cited

FOREIGN PATENT DOCUMENTS

U.S. PATENT DOCUMENTS

D461,617 S * 8/2002 Gardner D99/28
 D571,524 S * 6/2008 Kang D99/28
 D617,974 S * 6/2010 Alfeld, Sr. D99/28
 D732,264 S * 6/2015 Hine D99/28
 D732,265 S * 6/2015 Osiecki D99/28
 D748,365 S * 1/2016 Nelson D99/28
 D799,149 S * 10/2017 Chafetz D99/28
 D802,872 S * 11/2017 Frisher D99/28
 9,844,264 B1 12/2017 Stewart
 D811,687 S * 2/2018 Kang D99/28
 D814,139 S * 3/2018 Newcomb D99/28
 9,911,254 B2 3/2018 Ng et al.
 D814,739 S * 4/2018 Coutinho D99/28
 D849,354 S * 5/2019 Chen D99/28
 D853,078 S * 7/2019 Rayfield D99/28
 2005/0188733 A1 9/2005 Blankenau

CN 202567032 U 12/2012
 CN 302450433 S 6/2013
 CN 302450434 S 6/2013
 CN 303785854 S 8/2016
 CN 206190110 U 5/2017
 CN 304308281 S 10/2017
 CN 304765646 S 8/2018
 EP 0868868 B1 5/2003
 JP 1500819 S 5/2014
 JP 1589324 S 10/2017
 KR 3006961370000 5/2013
 KR 3006961380000 5/2013
 KR 3007998120000 6/2015
 KR 3008165230000 9/2015
 KR 3008545890000 5/2016

* cited by examiner

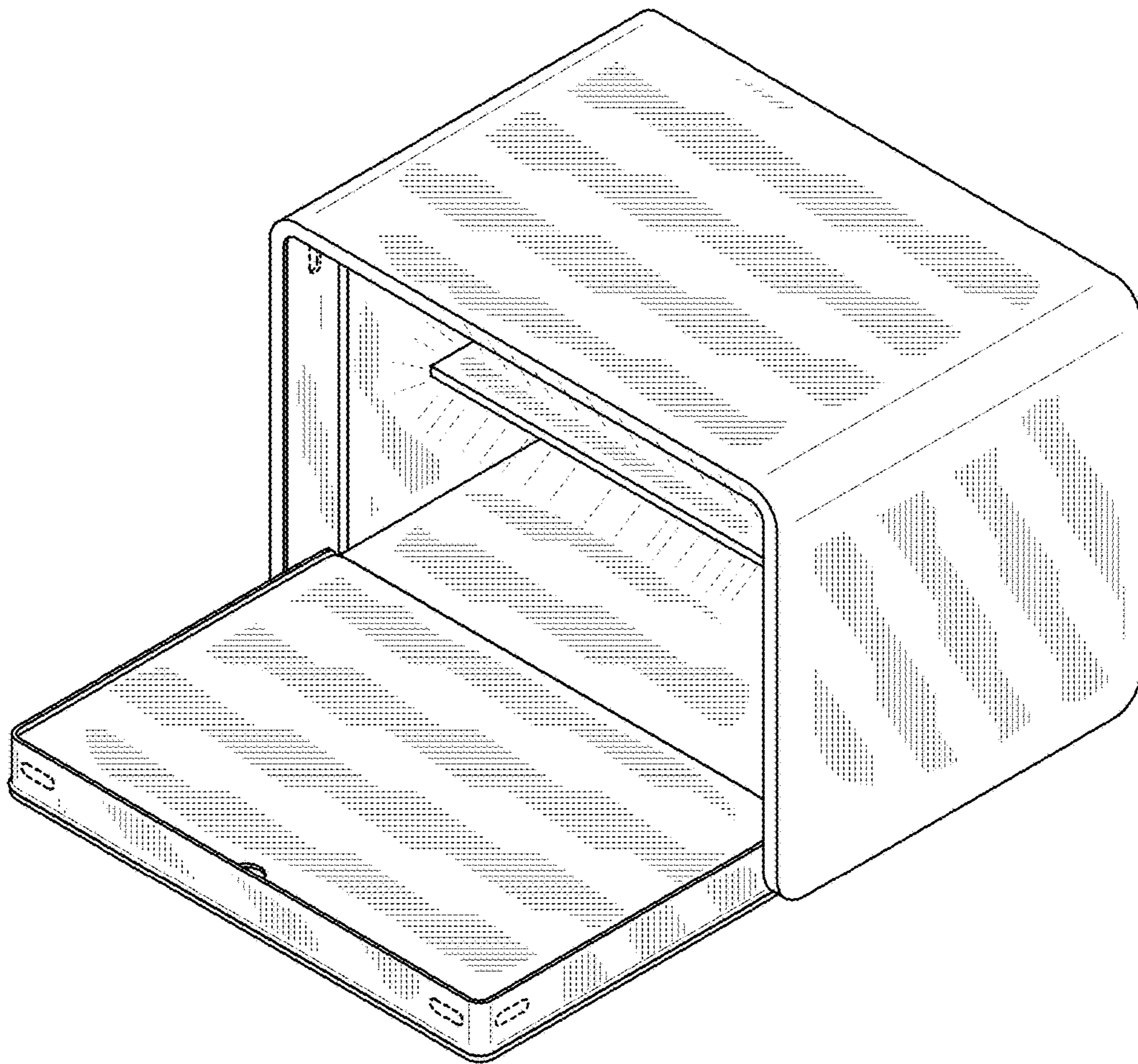


FIG. 1

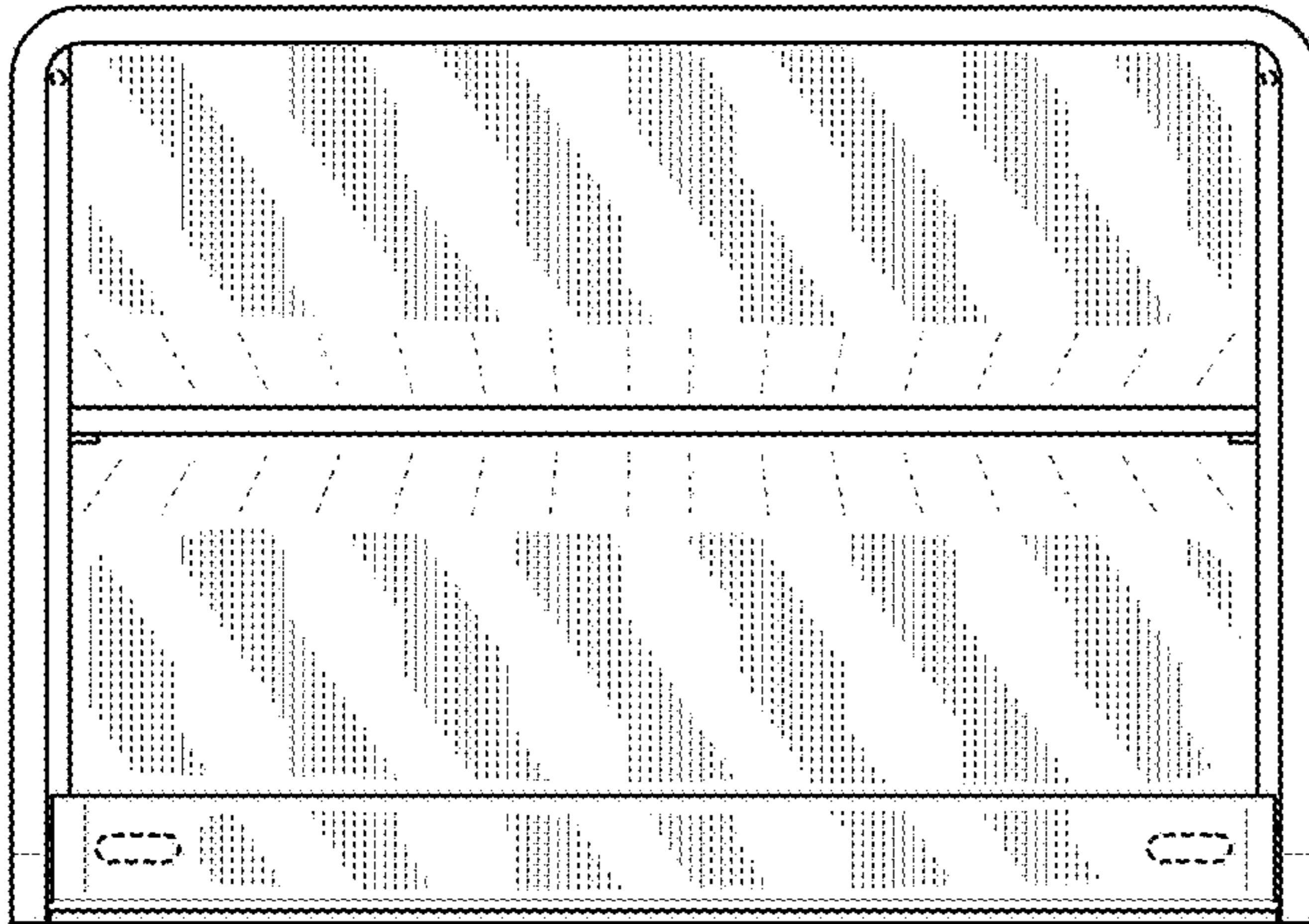


FIG. 2

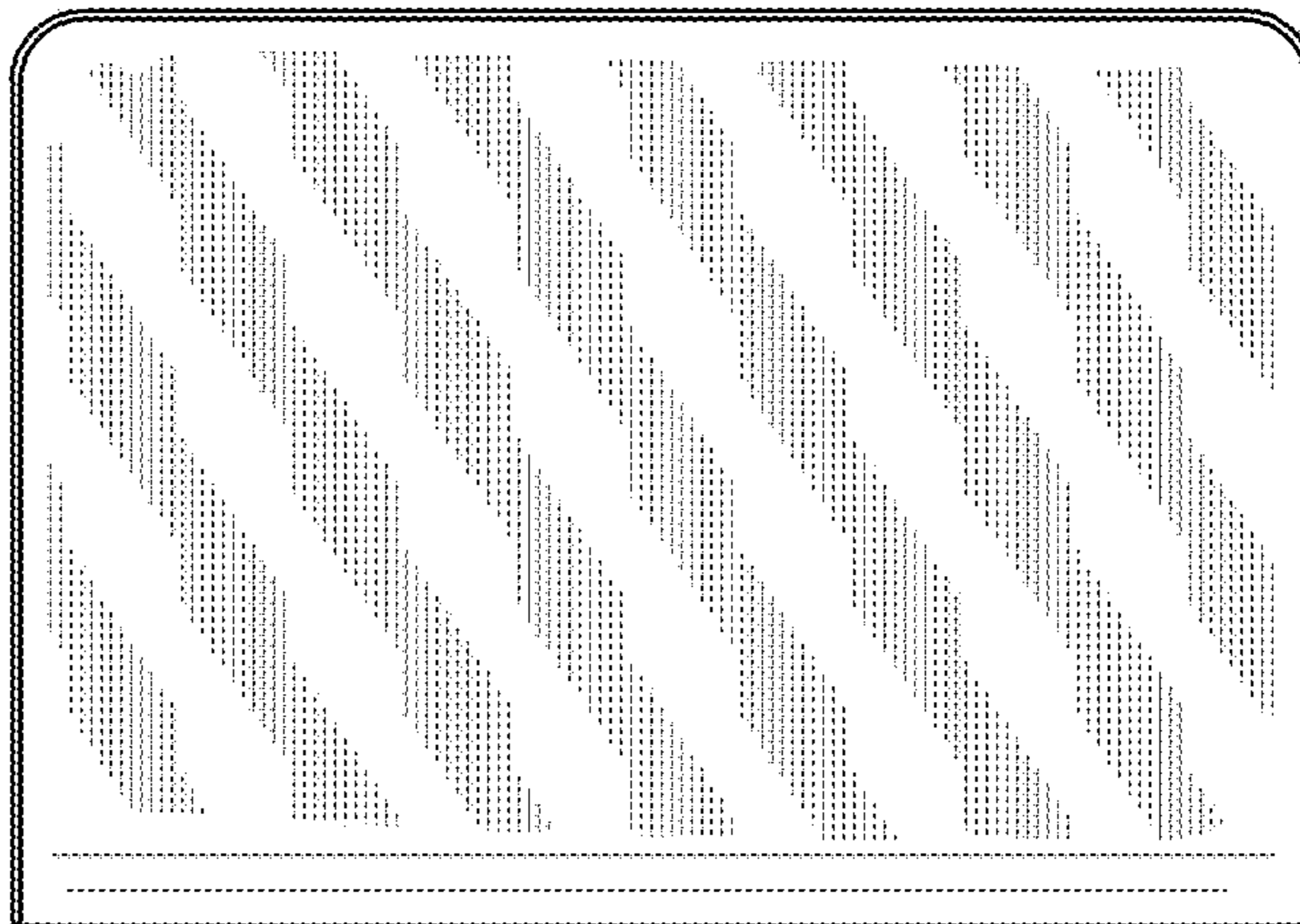


FIG. 3

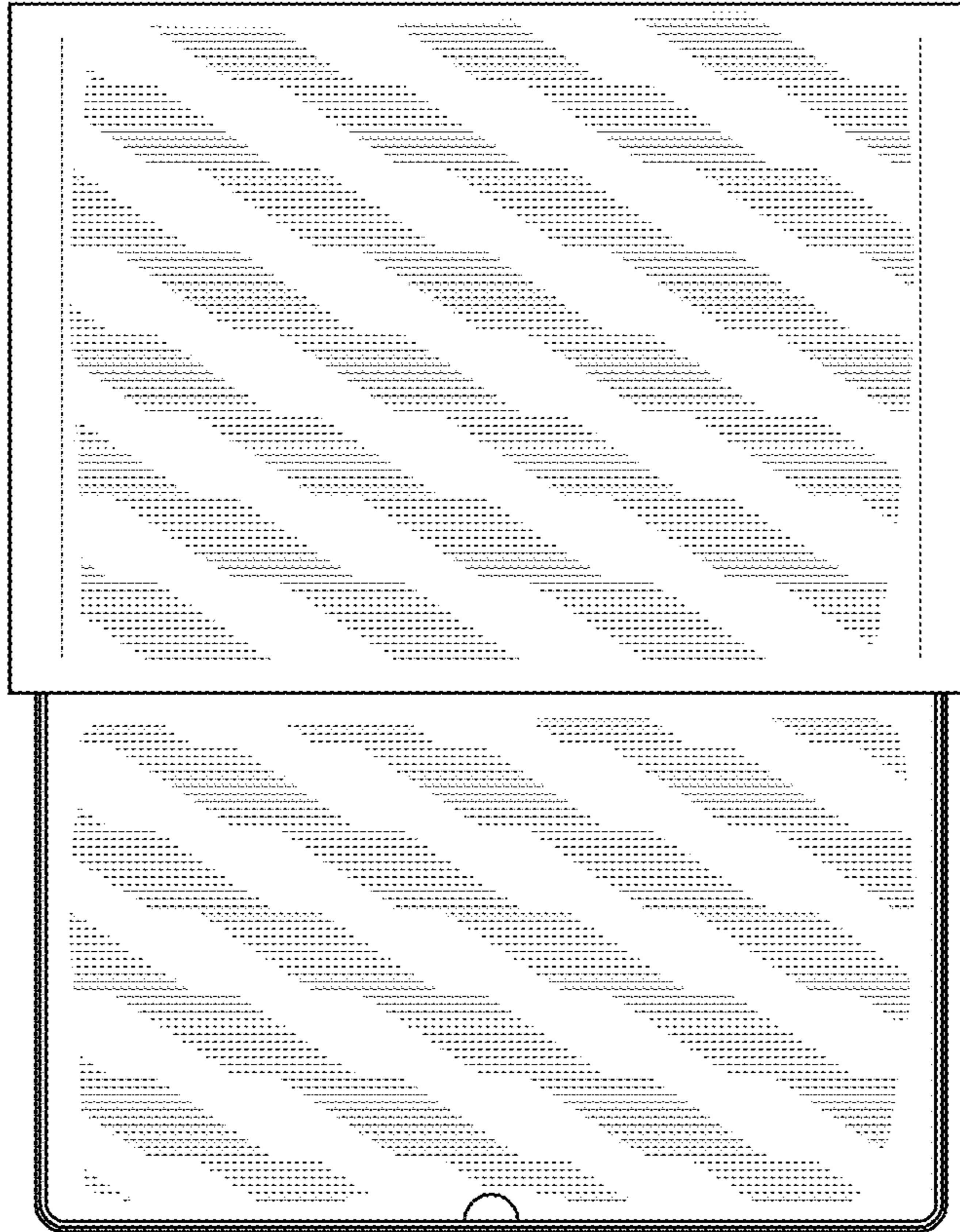


FIG. 4

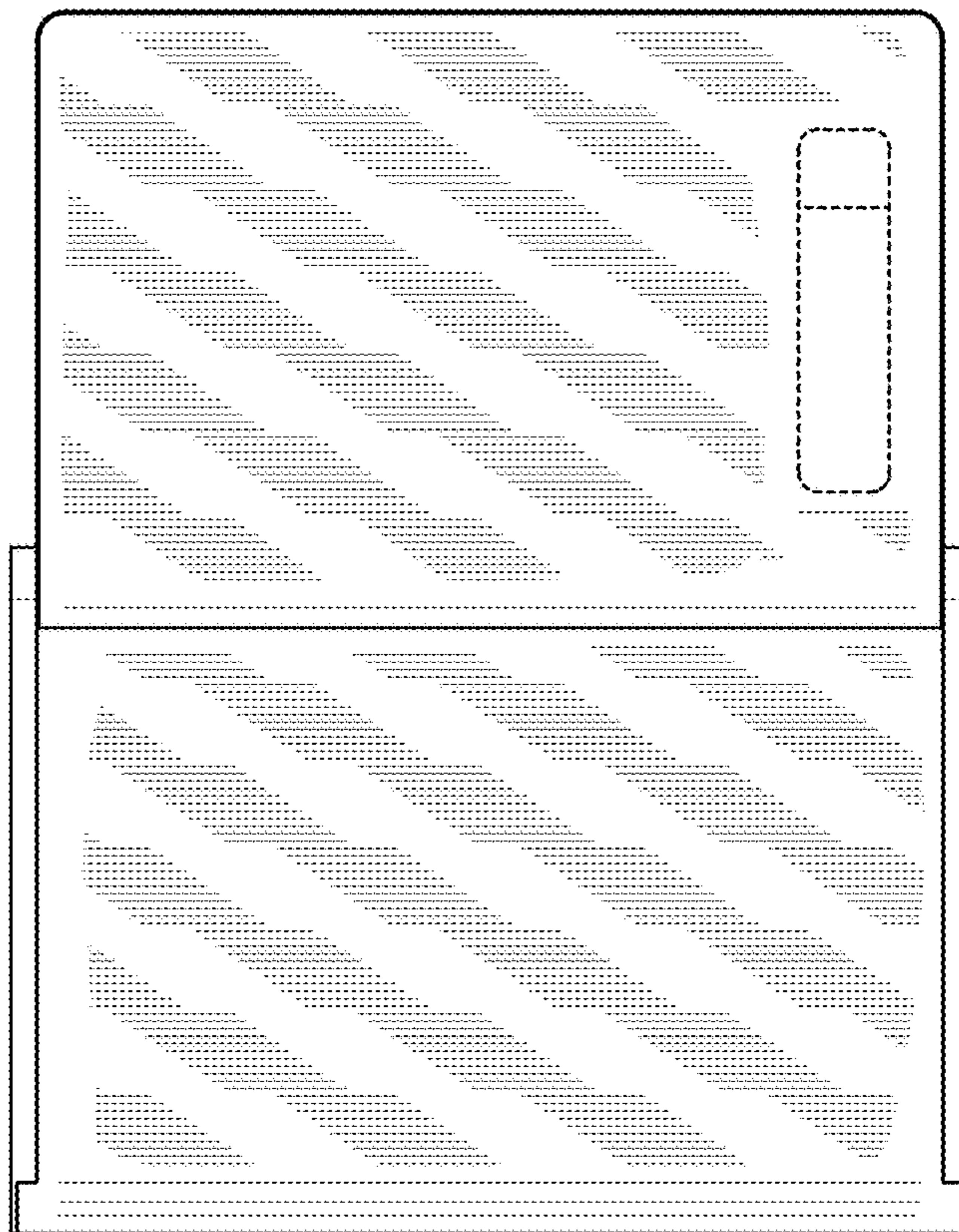


FIG. 5

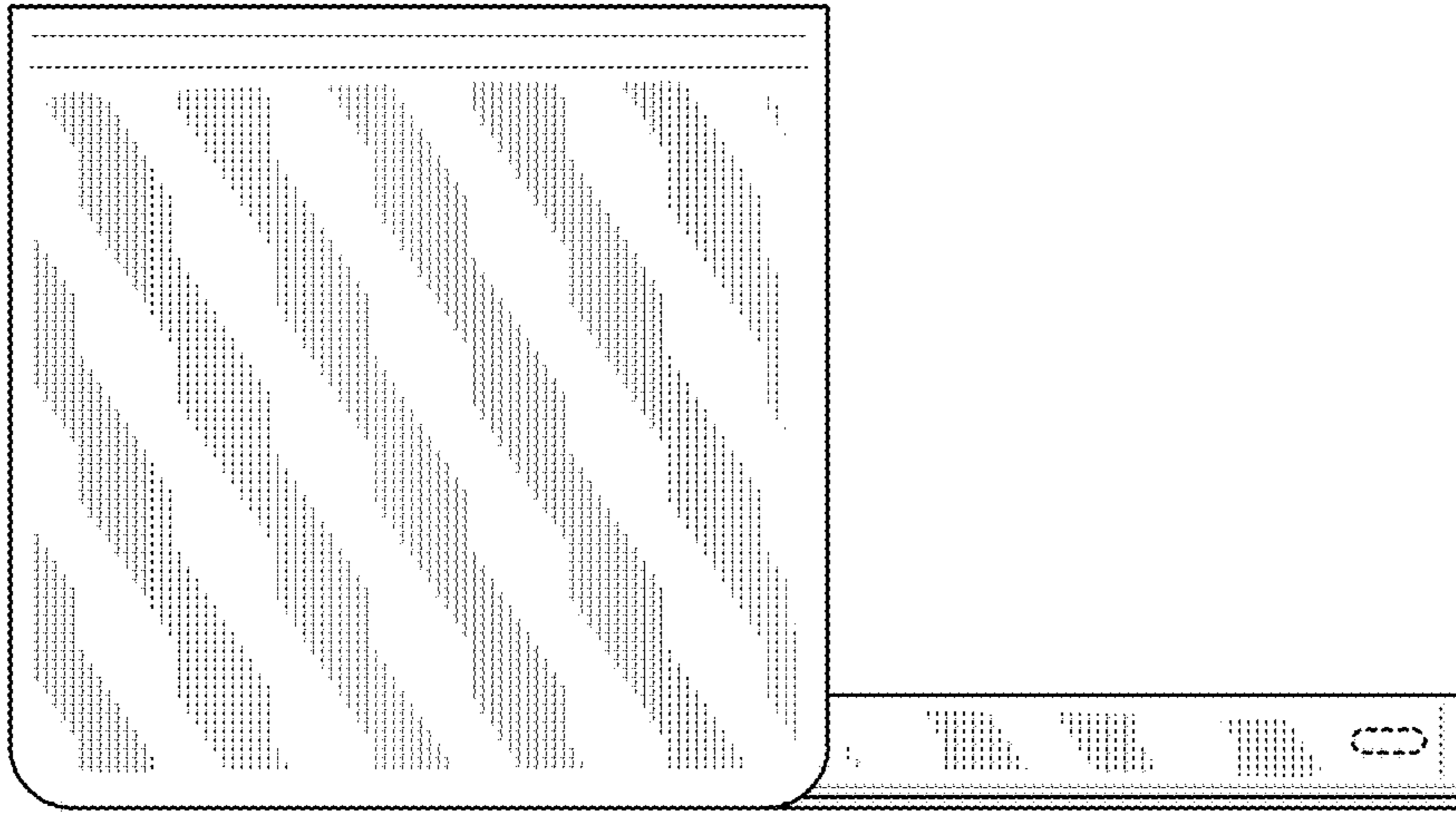


FIG. 6

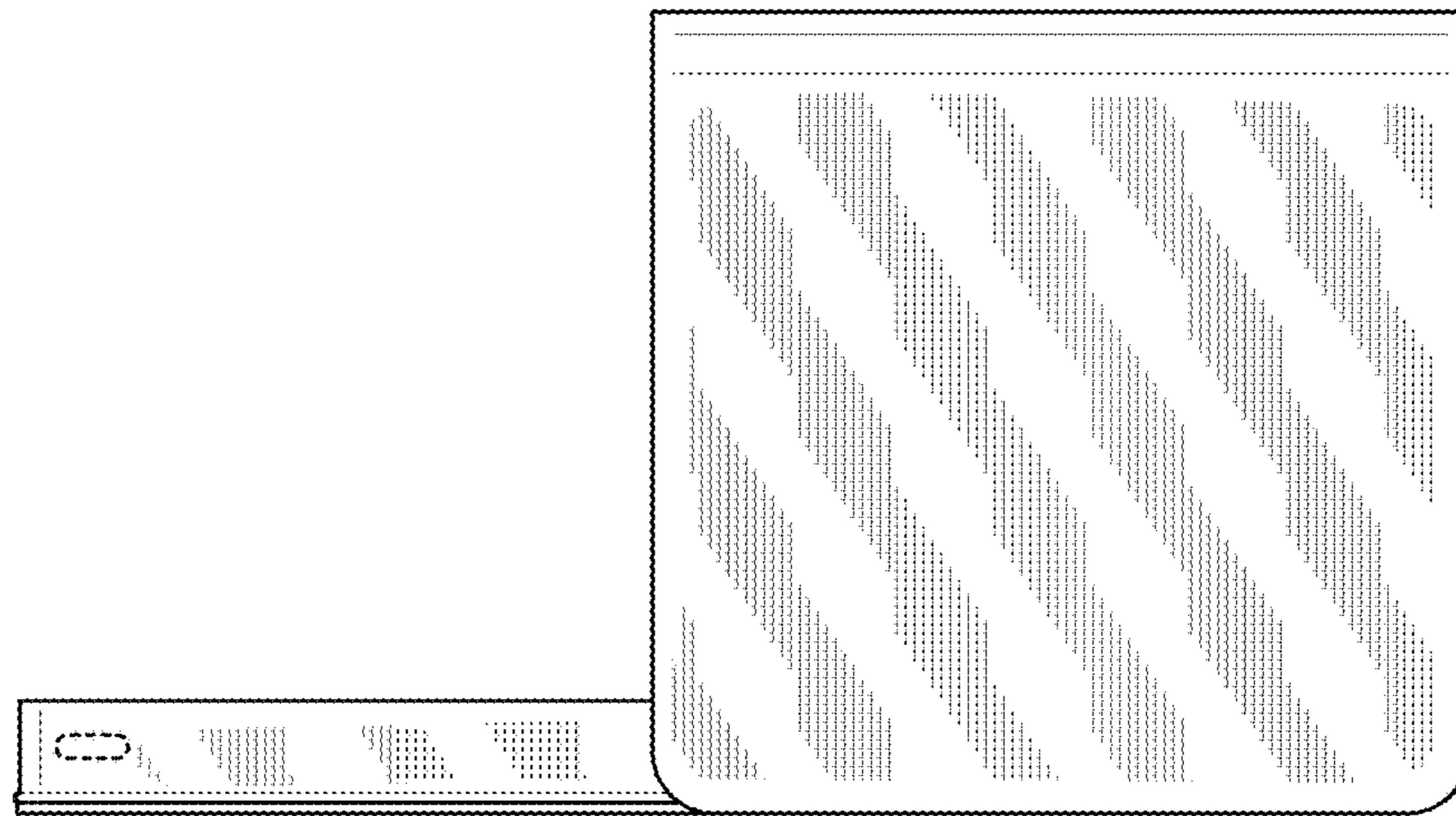


FIG. 7

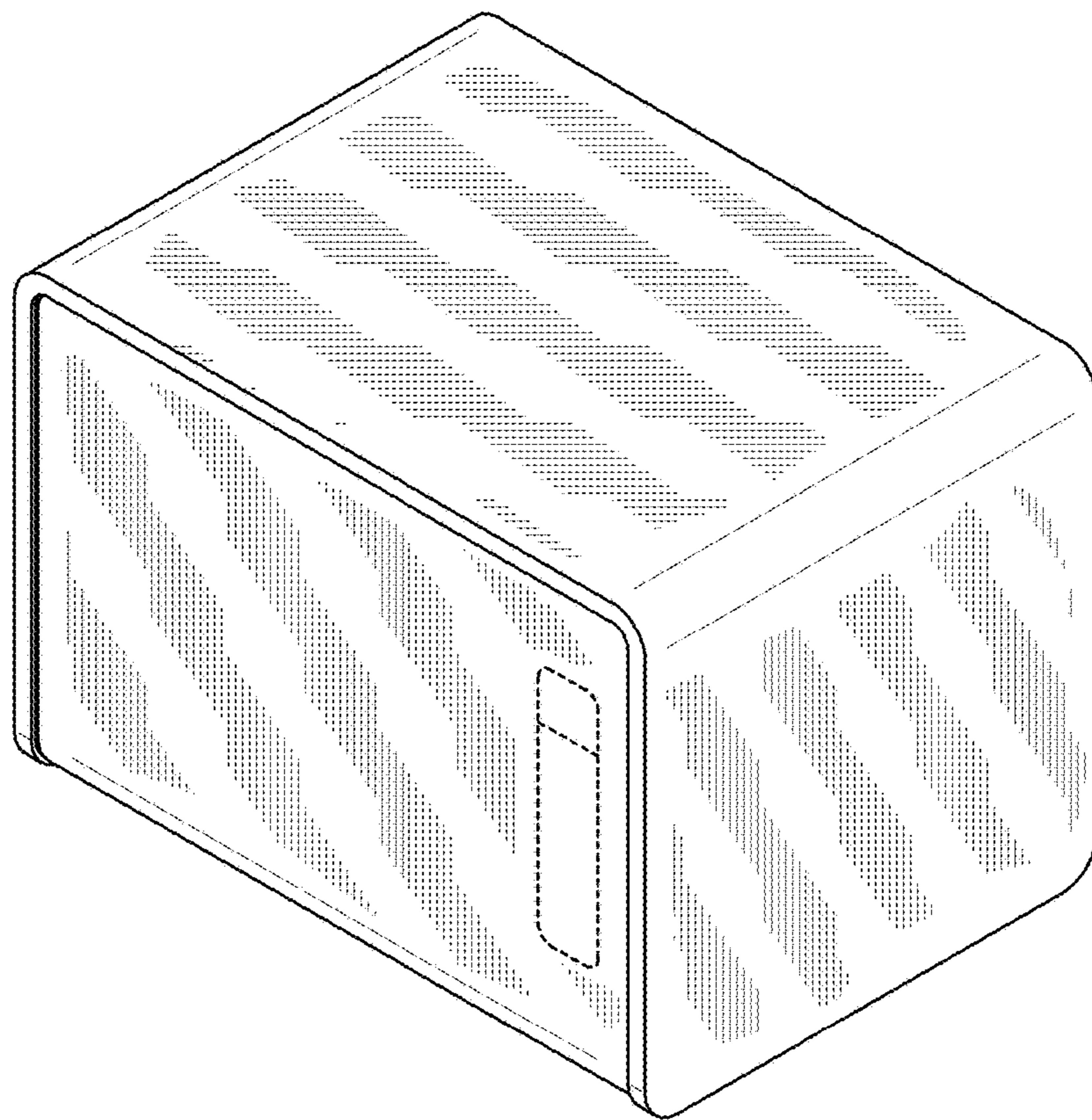


FIG. 8

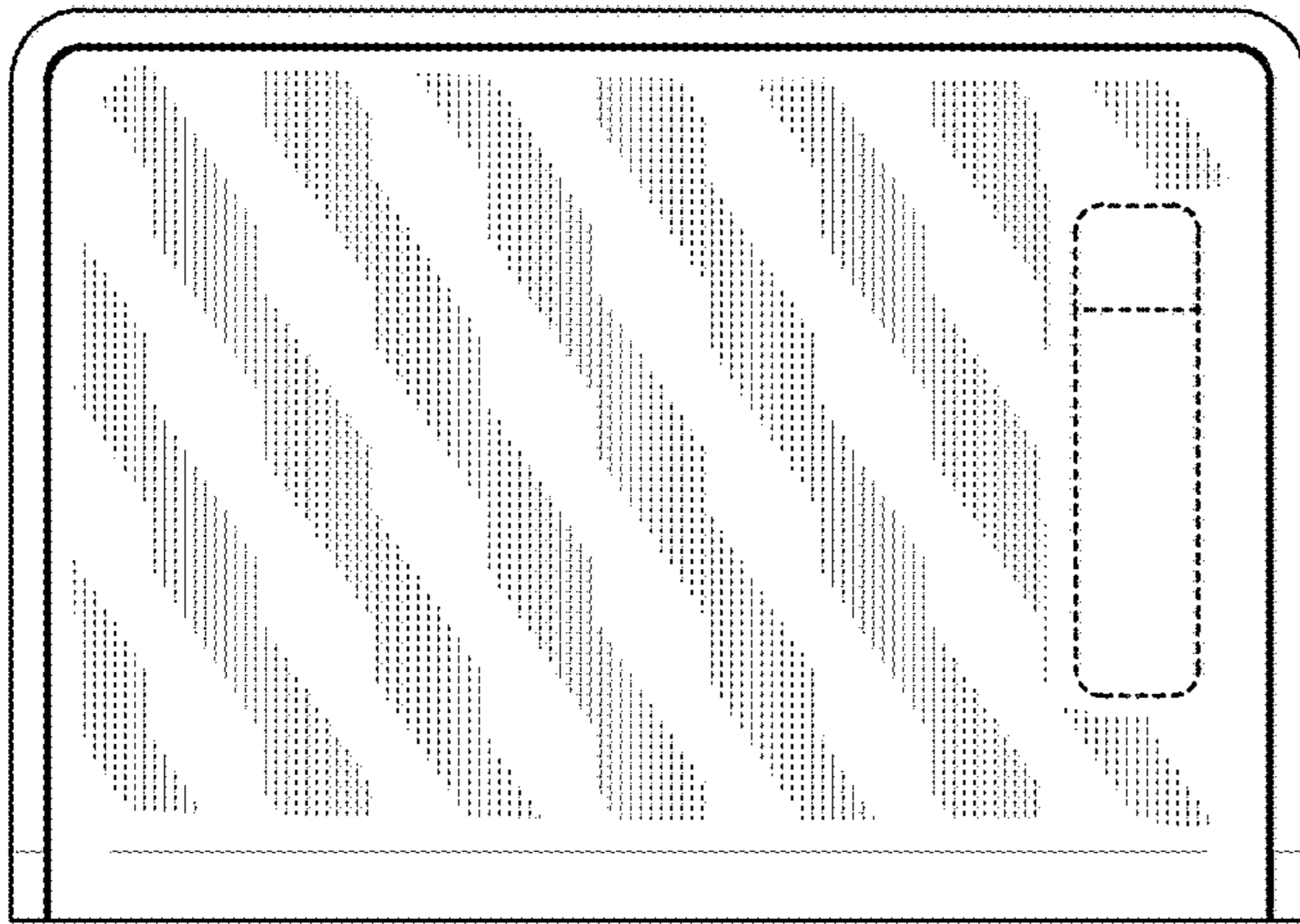


FIG. 9



FIG. 10

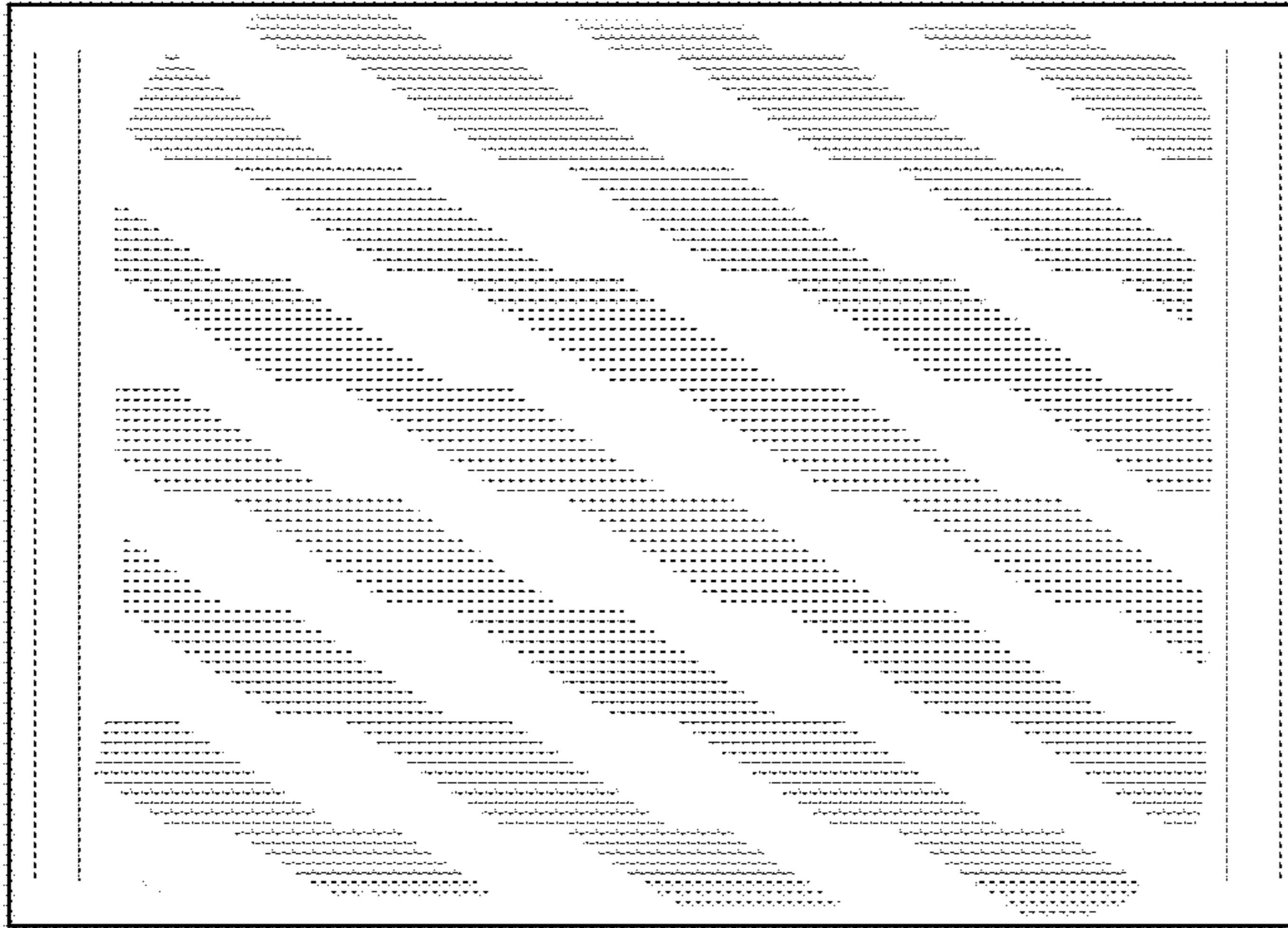


FIG. 11

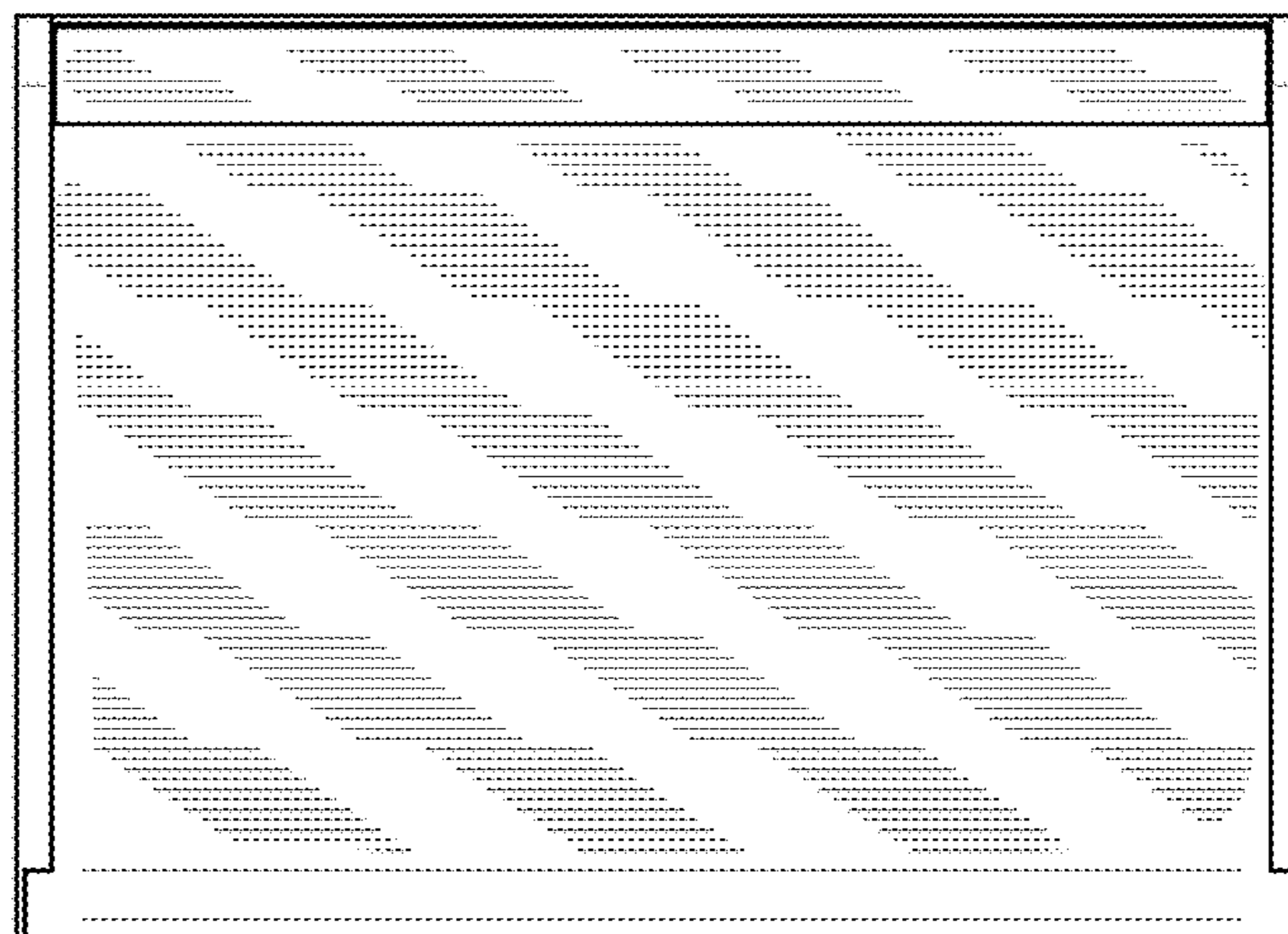


FIG. 12

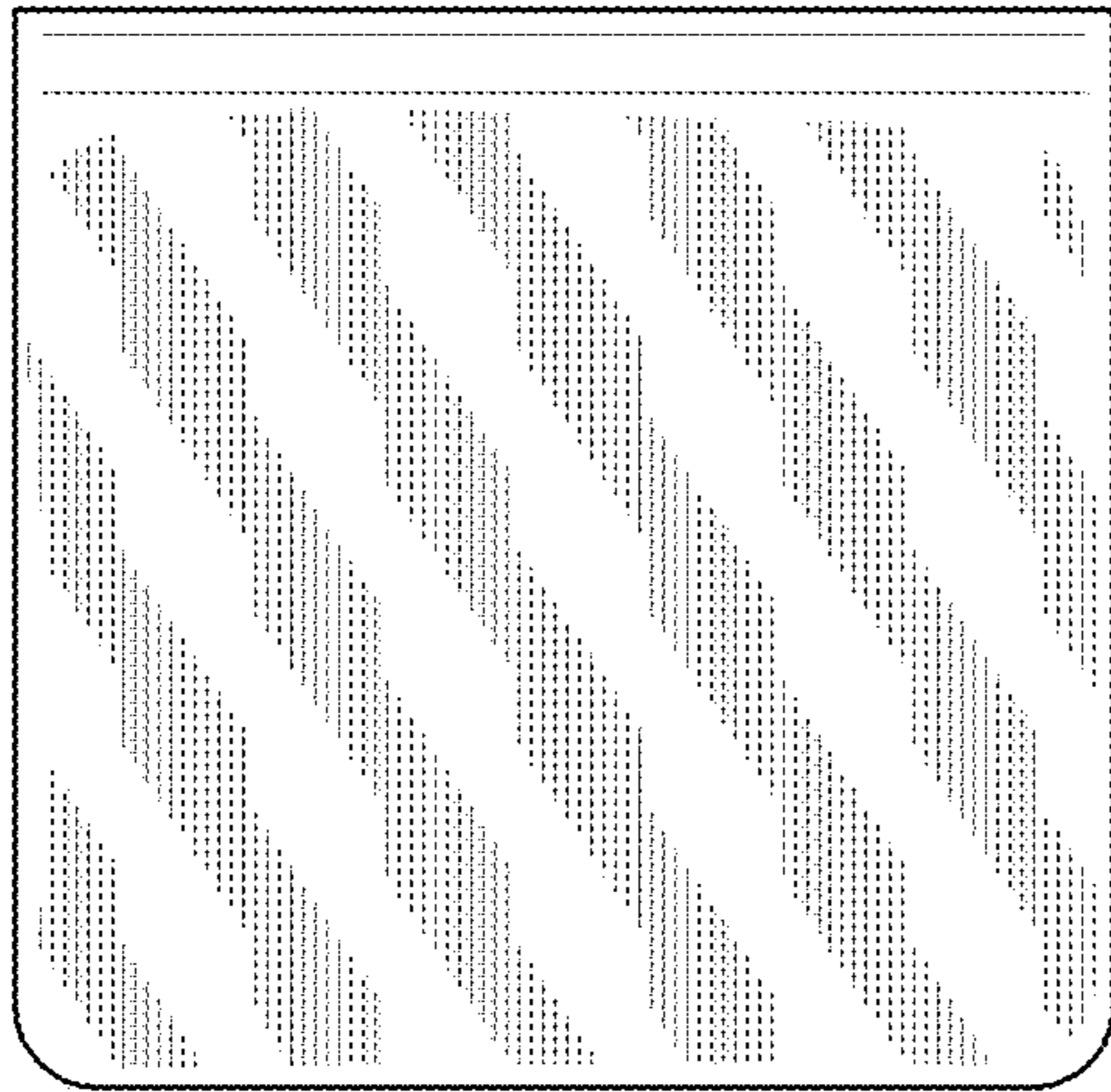


FIG. 13

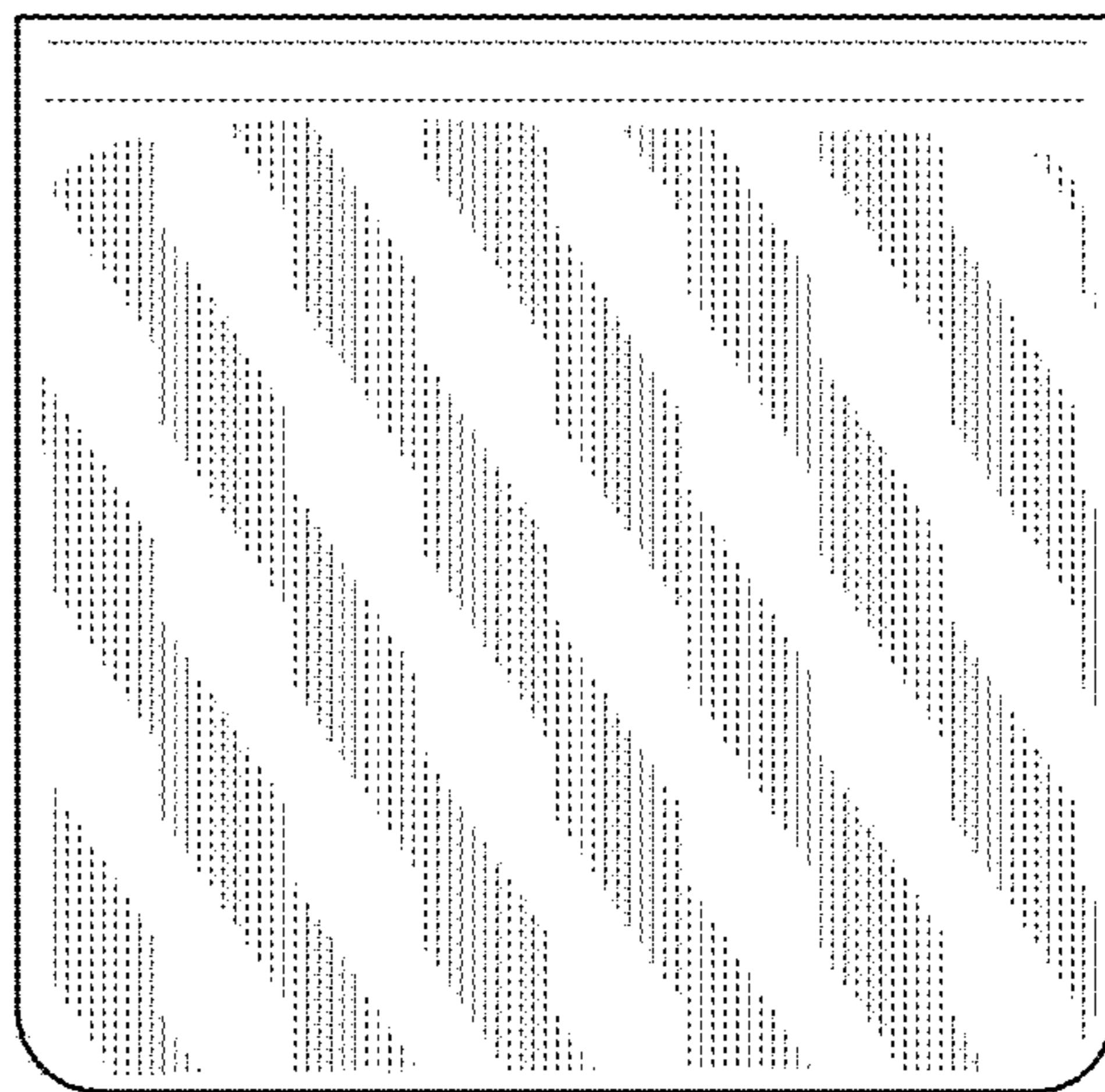


FIG. 14