



US00D876037S

(12) **United States Design Patent**  
**McRorie et al.**

(10) **Patent No.:** **US D876,037 S**

(45) **Date of Patent:** **\*\* Feb. 18, 2020**

(54) **FLOOR CLEANER**

(71) Applicant: **TTI (MACAO COMMERCIAL OFFSHORE) LIMITED**, Macau (MO)

(72) Inventors: **Robert McRorie**, Huntersville, NC (US); **Mohammed Irfan**, Huntersville, NC (US)

(73) Assignee: **TTI (Macao Commercial Offshore) Limited**, Praia Grance (MO)

(\*\*) Term: **15 Years**

(21) Appl. No.: **29/626,389**

(22) Filed: **Nov. 16, 2017**

(51) **LOC (12) Cl.** ..... **15-05**

(52) **U.S. Cl.**  
USPC ..... **D32/22**

(58) **Field of Classification Search**  
USPC ..... D32/22, 31, 17  
CPC ..... A47L 11/20; A47L 11/34; A47L 11/40;  
A47L 11/4016; A47L 5/28; A47L 5/24;  
A47L 7/02  
See application file for complete search history.

(56) **References Cited**

**U.S. PATENT DOCUMENTS**

D510,465 S \* 10/2005 Takahashi ..... D32/22  
D769,557 S \* 10/2016 Johnson ..... D32/22

D770,106 S \* 10/2016 Johnson ..... D32/22  
D784,636 S \* 4/2017 Canas ..... D32/22  
D789,626 S \* 6/2017 Bloemendaal ..... D32/22  
D824,615 S \* 7/2018 Bloemendaal ..... D32/22  
D845,566 S \* 4/2019 Hooley ..... D32/22  
D845,567 S \* 4/2019 Hooley ..... D32/22

\* cited by examiner

*Primary Examiner* — Ruth McInroy

(74) *Attorney, Agent, or Firm* — Michael Best & Friedrich LLP

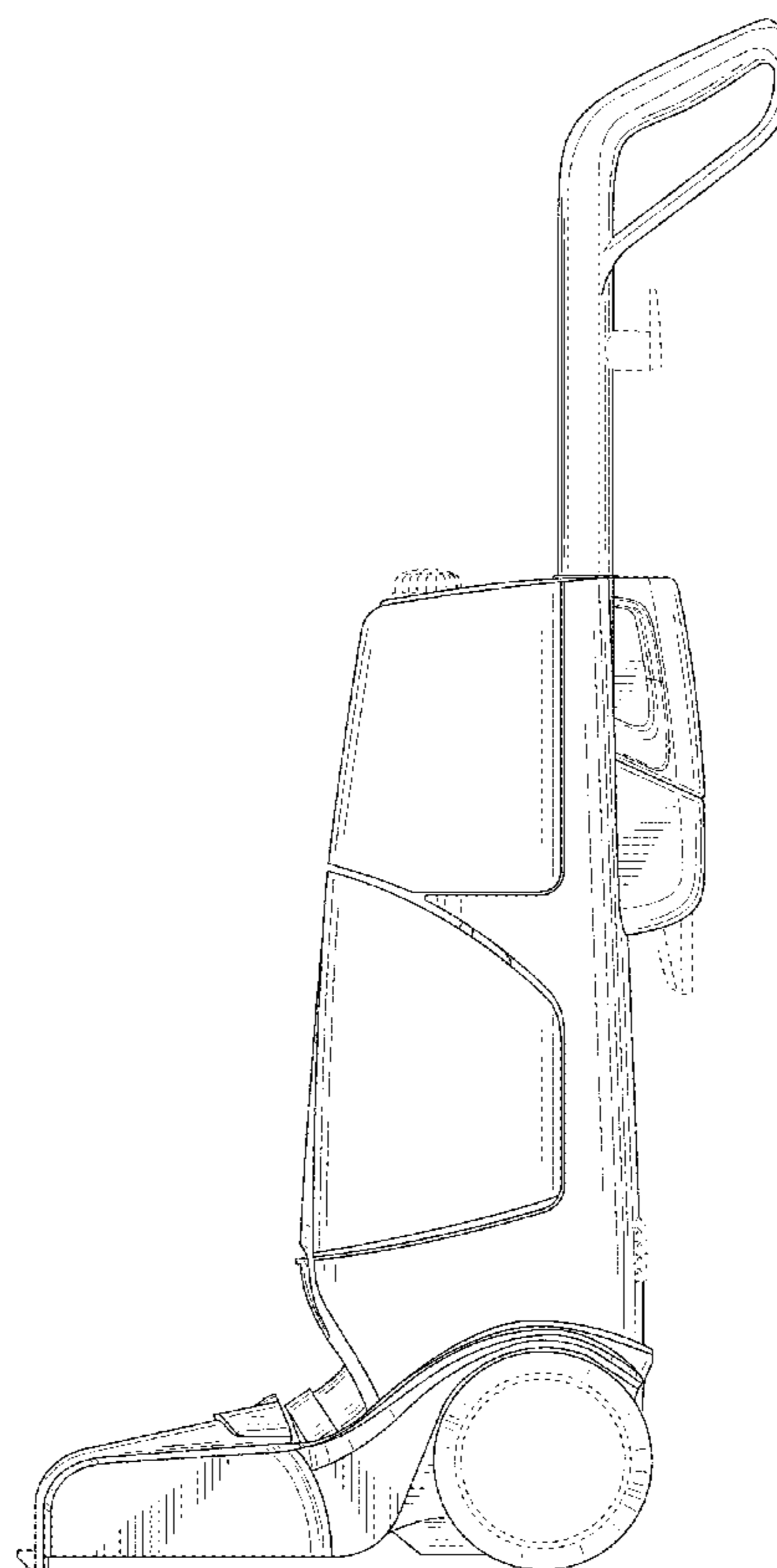
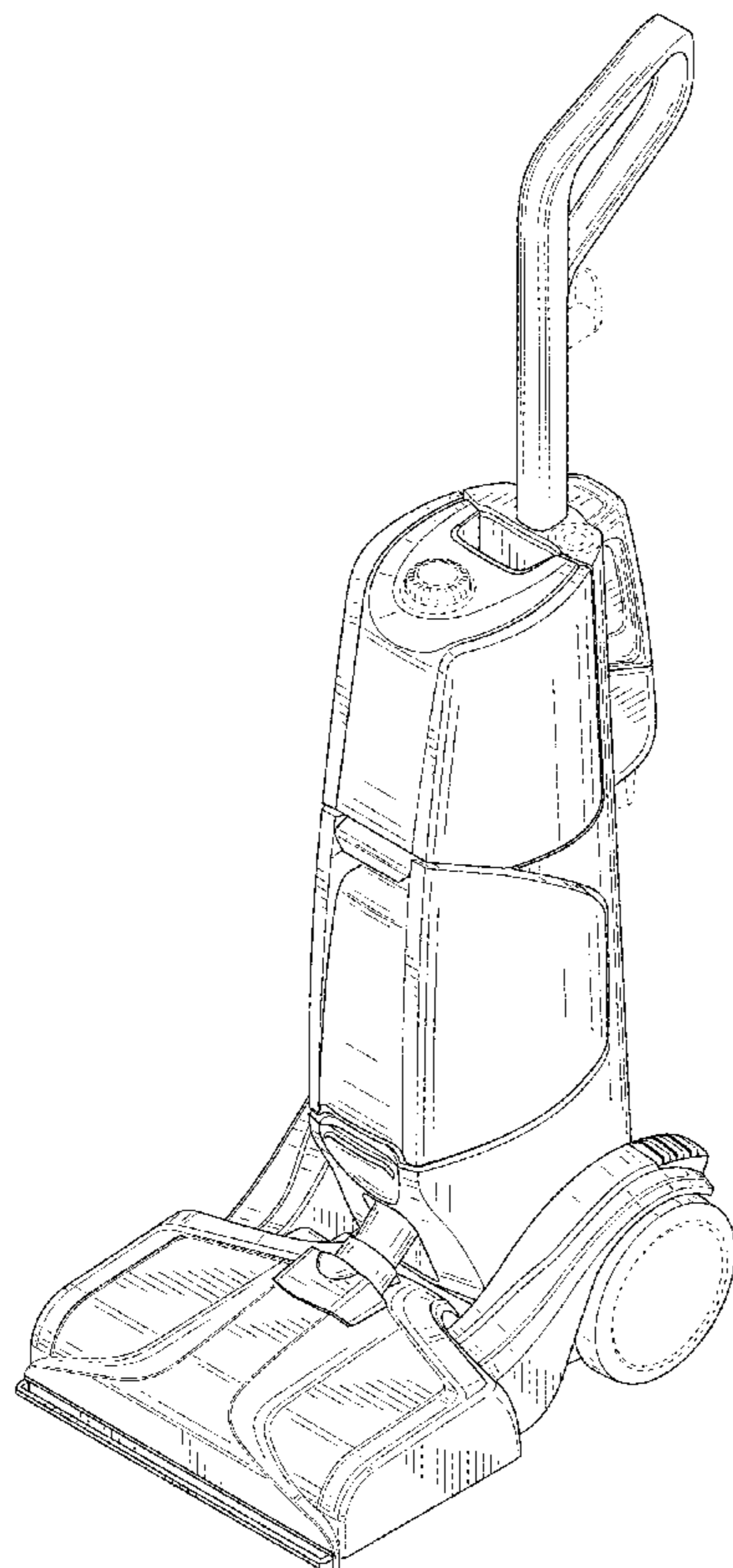
(57) **CLAIM**

We claim the ornamental design for a floor cleaner, as shown and described.

**DESCRIPTION**

FIG. 1 is a front perspective view of a floor cleaner showing our new design;  
FIG. 2 is a front view thereof;  
FIG. 3 is a rear view thereof;  
FIG. 4 is a left side view thereof;  
FIG. 5 is a right side view thereof;  
FIG. 6 is a top view thereof; and,  
FIG. 7 is a bottom view thereof.  
Elements shown in broken lines are included for the purpose of showing environment and form no part of the claimed design.

**1 Claim, 6 Drawing Sheets**



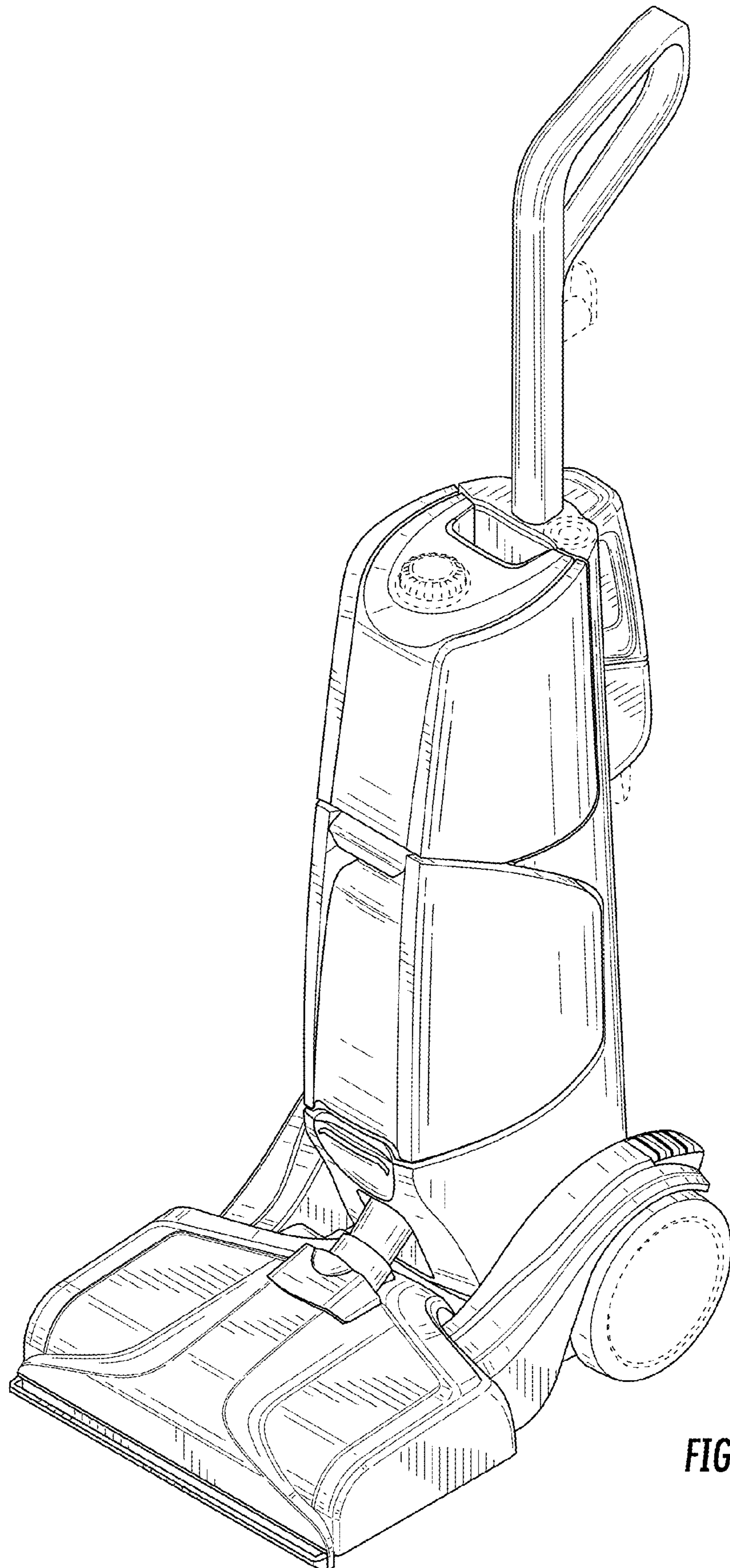


FIG. 1

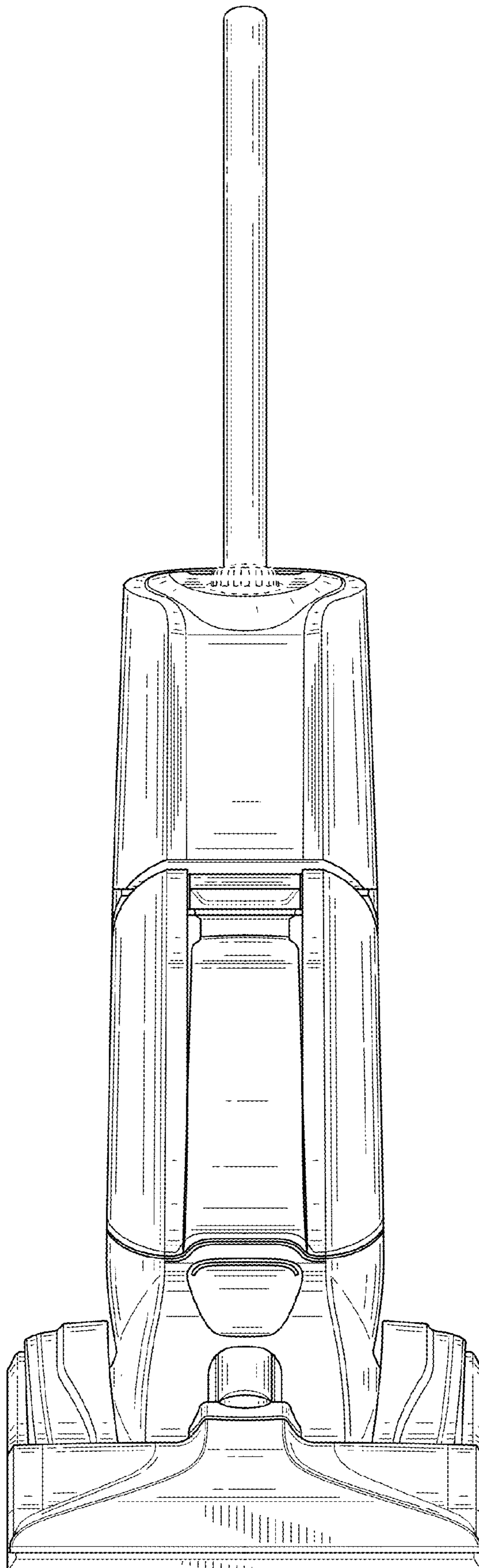
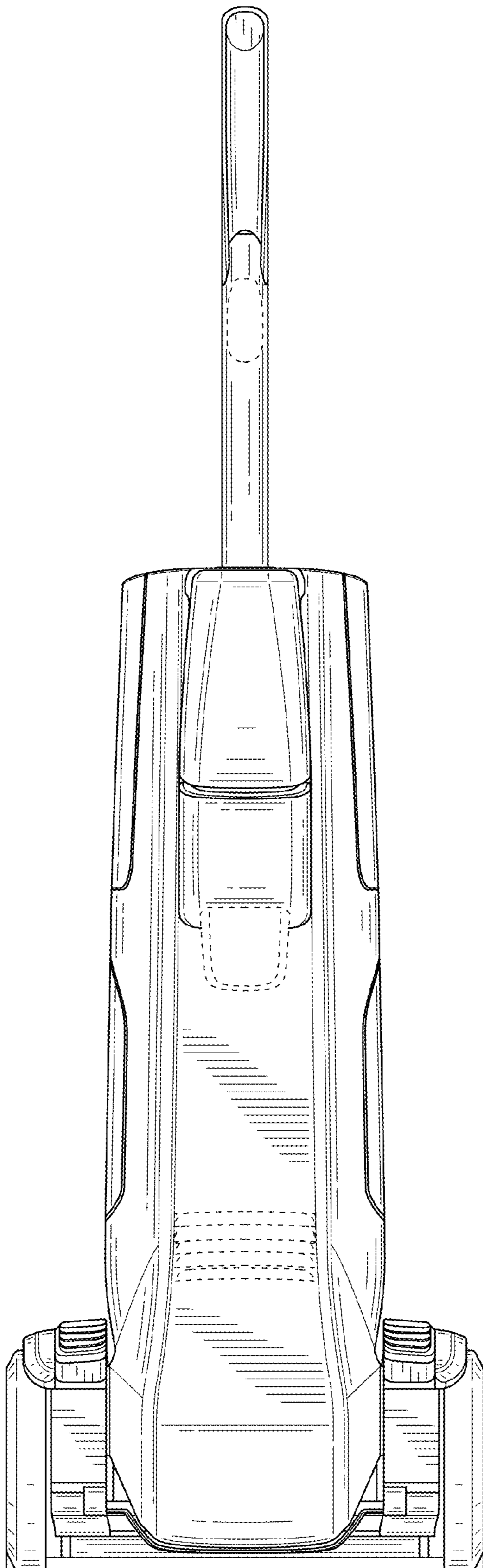


FIG. 2





**FIG. 3**

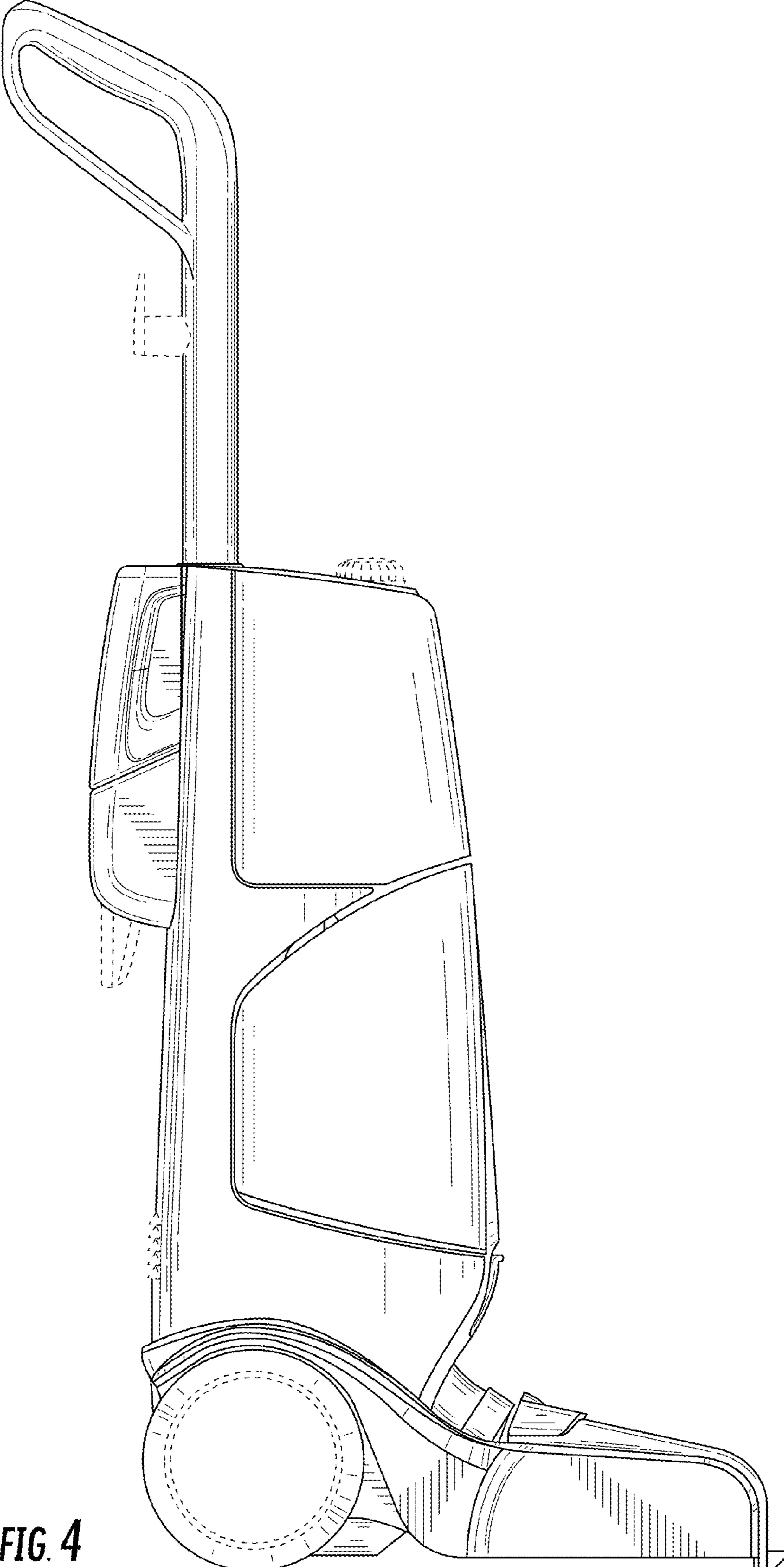


FIG. 4

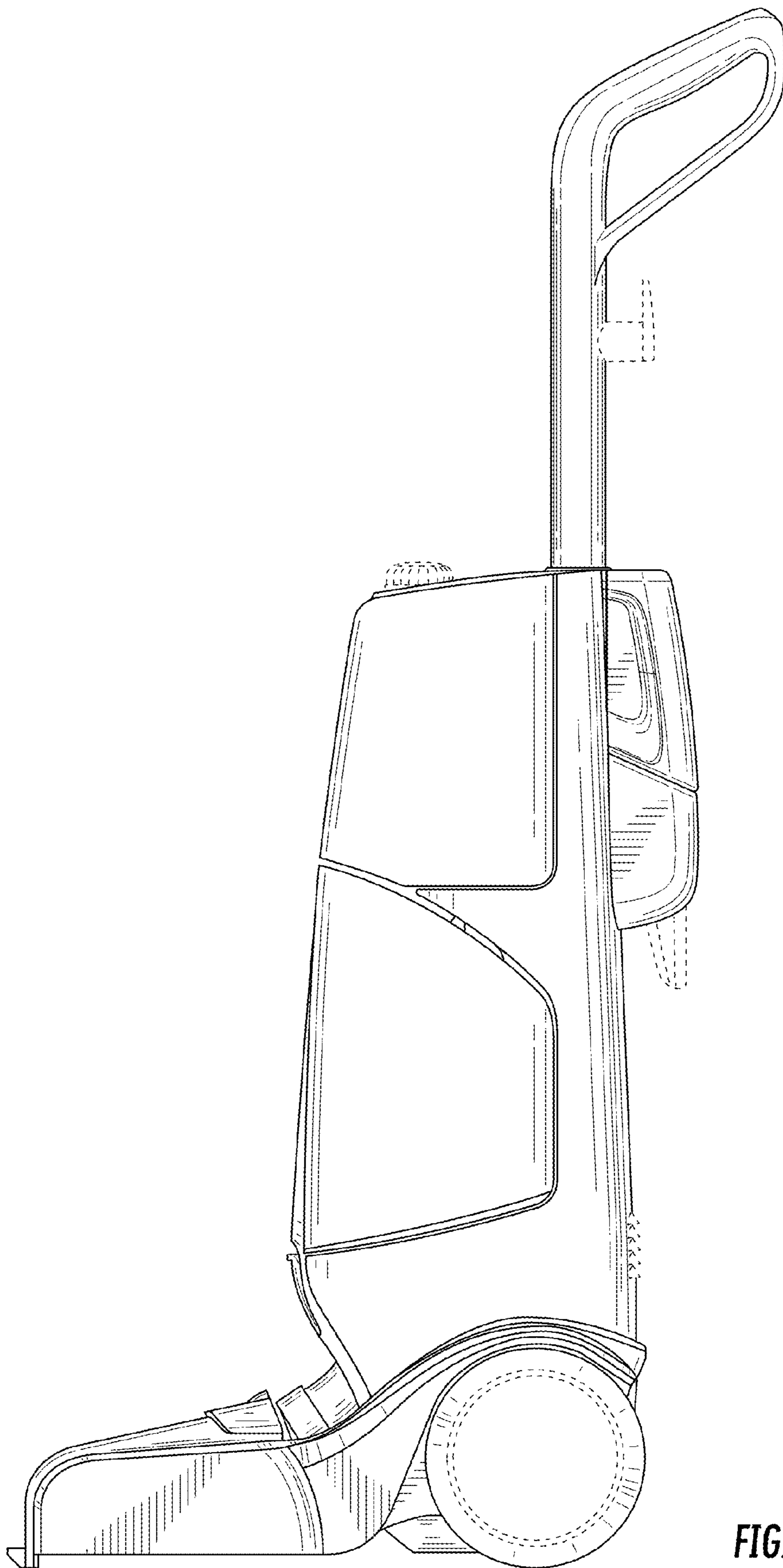


FIG. 5

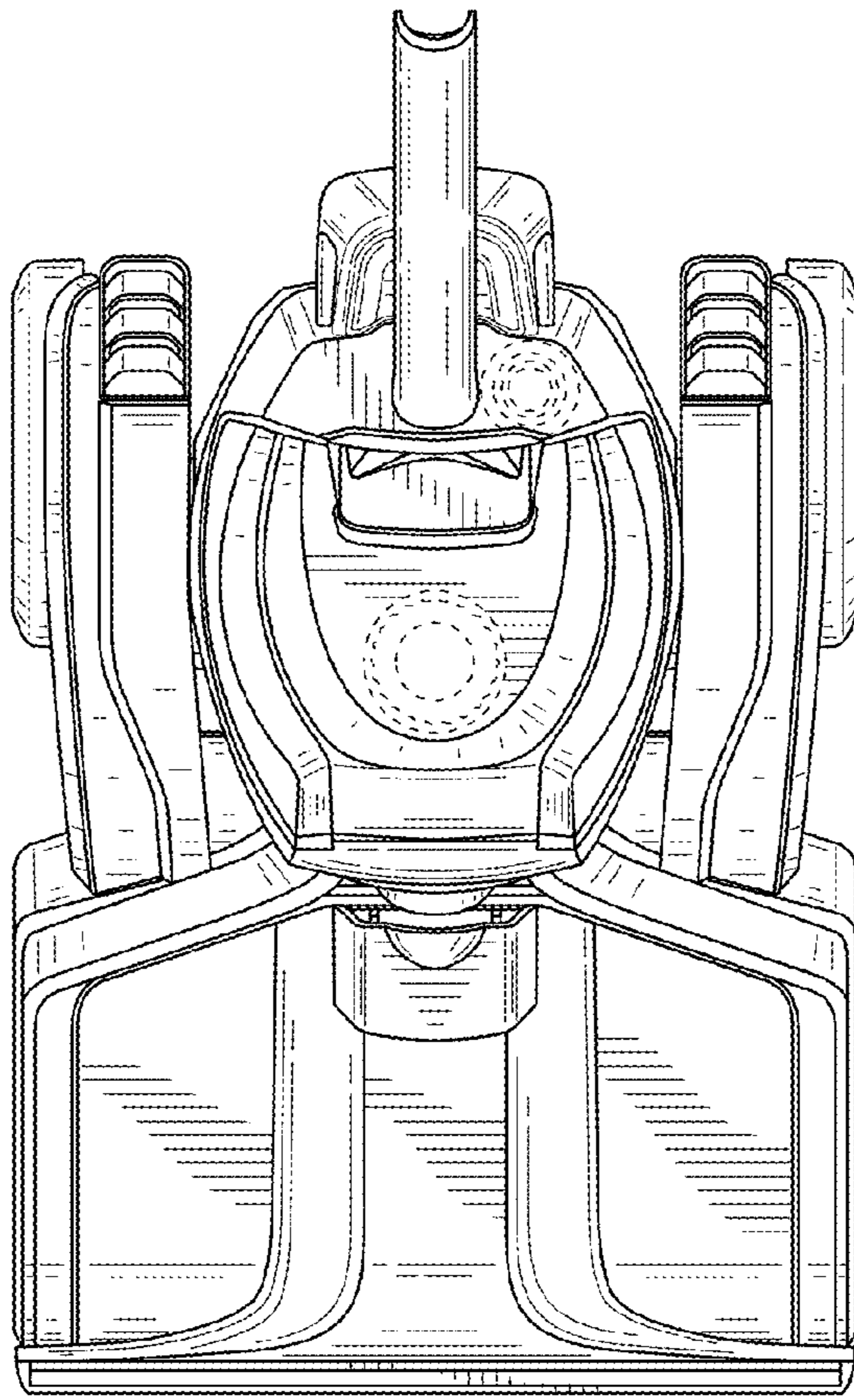


FIG. 6

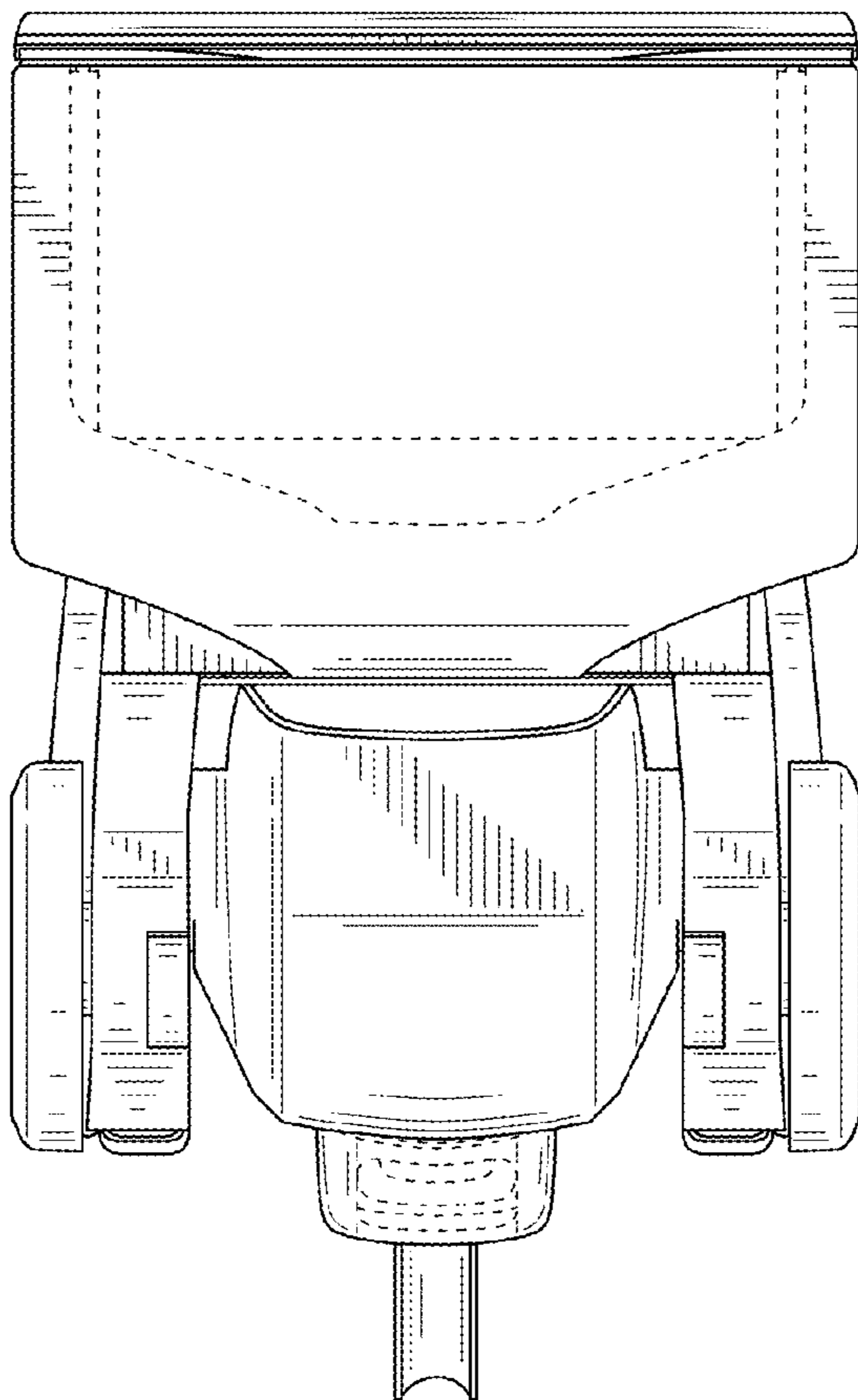


FIG. 7

UNITED STATES PATENT AND TRADEMARK OFFICE  
**CERTIFICATE OF CORRECTION**

PATENT NO. : D876,037 S  
APPLICATION NO. : 29/626389  
DATED : February 18, 2020  
INVENTOR(S) : Robert McRorie et al.

Page 1 of 1

It is certified that error appears in the above-identified patent and that said Letters Patent is hereby corrected as shown below:

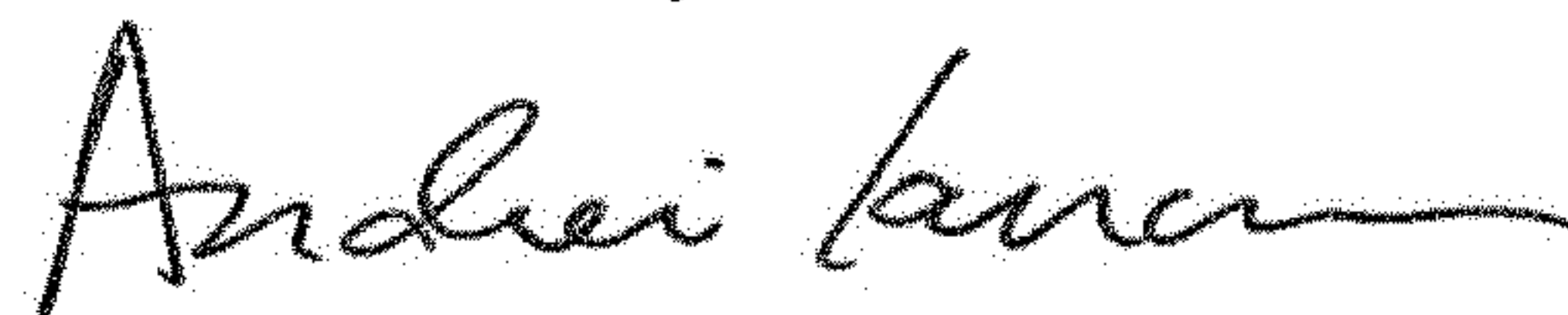
On the Title Page

Please add:

Foreign Application Priority Data

June 5, 2017 (CN) .....201730223549.1

Signed and Sealed this  
Ninth Day of June, 2020



Andrei Iancu  
*Director of the United States Patent and Trademark Office*