



US00D876030S

(12) **United States Design Patent** (10) **Patent No.:** **US D876,030 S**
Blair (45) **Date of Patent:** **** Feb. 18, 2020**

- (54) **HORSESHOE**
- (71) Applicant: **Advanced Equine Comfort, LLC**,
Highlands, NC (US)
- (72) Inventor: **Susan Blair**, Highlands, NC (US)
- (73) Assignee: **Advanced Equine Comfort, LLC**,
Highlands, NC (US)
- (**) Term: **15 Years**
- (21) Appl. No.: **29/623,837**
- (22) Filed: **Oct. 27, 2017**
- (51) **LOC (12) Cl.** **30-01**
- (52) **U.S. Cl.**
USPC **D30/147**
- (58) **Field of Classification Search**
USPC D30/146, 147, 148, 149, 150; D9/650;
D21/387; D24/192; D2/897, 906, 919,
D2/943, 980
CPC A01L 1/02; A01L 5/00
See application file for complete search history.

- 4,470,466 A 9/1984 Nakanishi
- 4,564,071 A 1/1986 Lee
- D285,499 S 9/1986 Nakanishi
- D295,907 S 5/1988 Decker
- 4,892,150 A 1/1990 Thoman
- 5,148,872 A 9/1992 Dallmer
- 5,272,857 A 12/1993 Logan

(Continued)

FOREIGN PATENT DOCUMENTS

- FR 2860127 A1 * 4/2005 A01L 1/04
- WO WO-2004107857 A2 * 12/2004 A01L 5/00

OTHER PUBLICATIONS

“Easy’s Slipper—Glue-On Heart Bar”. Found online May 16, 2016 at advancedequinecomfort.com. Page dated May 16, 2016. Retrieved from <http://www.advancedequinecomfort.com/order-now/heart-bar>.*

(Continued)

Primary Examiner — Kendra Leslie Hamilton
(74) *Attorney, Agent, or Firm* — Kim and Lahey Law Firm, LLC; Seann P. Lahey

(57) **CLAIM**

The ornamental design for a horseshoe, as shown and described.

DESCRIPTION

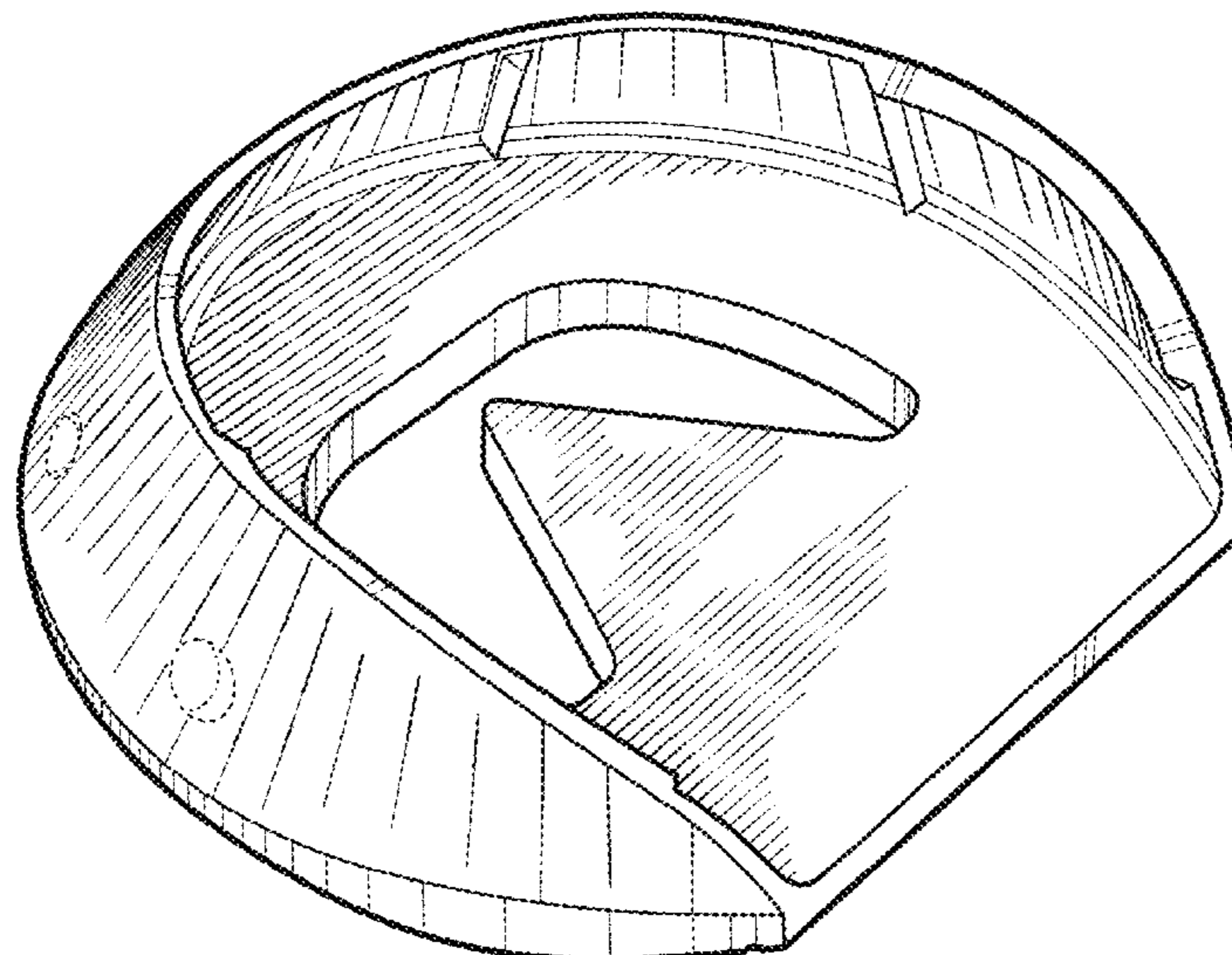
FIG. 1 is a top, rear perspective view of a horseshoe, showing my new design;
FIG. 2 is a front elevation view thereof;
FIG. 3 is a rear elevation view thereof;
FIG. 4 is a left side elevation view thereof;
FIG. 5 is a right side elevation view thereof;
FIG. 6 is a top plan view thereof; and,
FIG. 7 is a bottom plan view thereof.
The broken lines in the drawings depict portions of the horseshoe that form no part of the claimed design.

1 Claim, 3 Drawing Sheets

(56) **References Cited**

U.S. PATENT DOCUMENTS

- D177,991 S 5/1876 Cook
- 2,041,538 A 5/1936 Gordon
- 3,236,310 A 2/1966 Quick
- 3,486,561 A 12/1969 Kulak
- 3,490,536 A 1/1970 Hourlier
- 3,599,720 A * 8/1971 Mathern A01L 3/00
168/4
- D230,284 S 2/1974 Shenton et al.
- 3,794,119 A 2/1974 Paiso et al.
- 3,967,683 A * 7/1976 Ensinozo A01L 3/00
168/4
- D253,013 S * 9/1979 Hiraoka D30/148
- 4,189,004 A 2/1980 Glass
- 4,212,356 A 7/1980 Battle
- D257,693 S * 12/1980 Poust, Sr. D30/148
- D271,912 S 10/1983 Kurpakus



(56)

References Cited

U.S. PATENT DOCUMENTS

D359,597 S 6/1995 Dixon
 D440,363 S 4/2001 Ford
 6,516,594 B2 2/2003 Clark et al.
 7,178,321 B2 2/2007 Ruetenik
 D565,255 S 3/2008 Lander
 D580,111 S 11/2008 Lander
 D603,108 S 10/2009 Lander
 D609,551 S 2/2010 Gibbs
 D629,165 S 12/2010 Lander
 D629,977 S 12/2010 Ford
 D644,271 S * 8/2011 Osborne D21/387
 8,151,546 B2 4/2012 Ford
 D671,694 S * 11/2012 Ford D30/146
 D683,084 S 5/2013 Lander
 D685,142 S 6/2013 Lander
 D689,246 S 9/2013 Blair et al.
 D726,973 S * 4/2015 Ford A01L 1/02
 D30/147
 D746,519 S 12/2015 Ruetenik
 D767,830 S 9/2016 Blair
 D832,531 S 10/2018 Liblin
 D838,059 S * 1/2019 Ruetenik D30/147

2005/0217870 A1* 10/2005 Kolonia, Sr. A01L 5/00
 168/4
 2007/0033909 A1* 2/2007 Lustgarten A01K 13/007
 54/82
 2012/0118587 A1* 5/2012 Patek A01K 13/007
 168/4
 2018/0020653 A1 1/2018 Charnley

OTHER PUBLICATIONS

“EasyCare: EasyShoe Flex Heart Bar”. Found online May 28, 2019 at easycareinc.com. Page dated May 28, 2019. Retrieved from <https://www.easycareinc.com/easyshoe/EasyShoe-Flex-Heart-Bar.asp>.*

“Grand Circuit: Horseshoes, Aluminum/ Heart Bars”. Found online May 28, 2019 at grandcircuitinc.com. Page dated May 28, 2019. Retrieved from <https://web.archive.org/web/20150530145133/https://www.grandcircuitinc.com/catalog/horseshoes-aluminum/heart-bars>.*

Screen capture of website <http://advancedequinecomfort.com/order-now/heart-bar>.

* cited by examiner

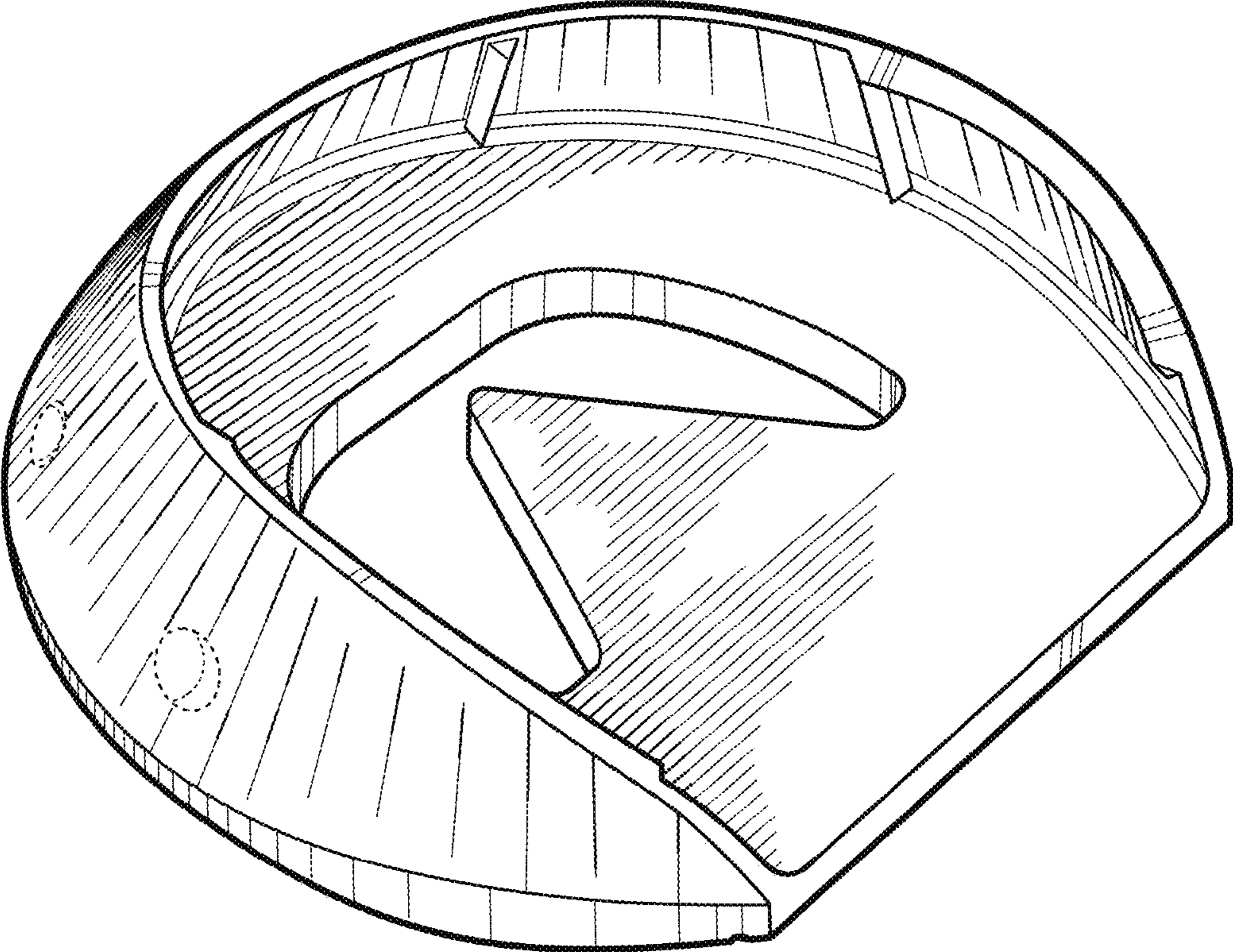


Fig. 1

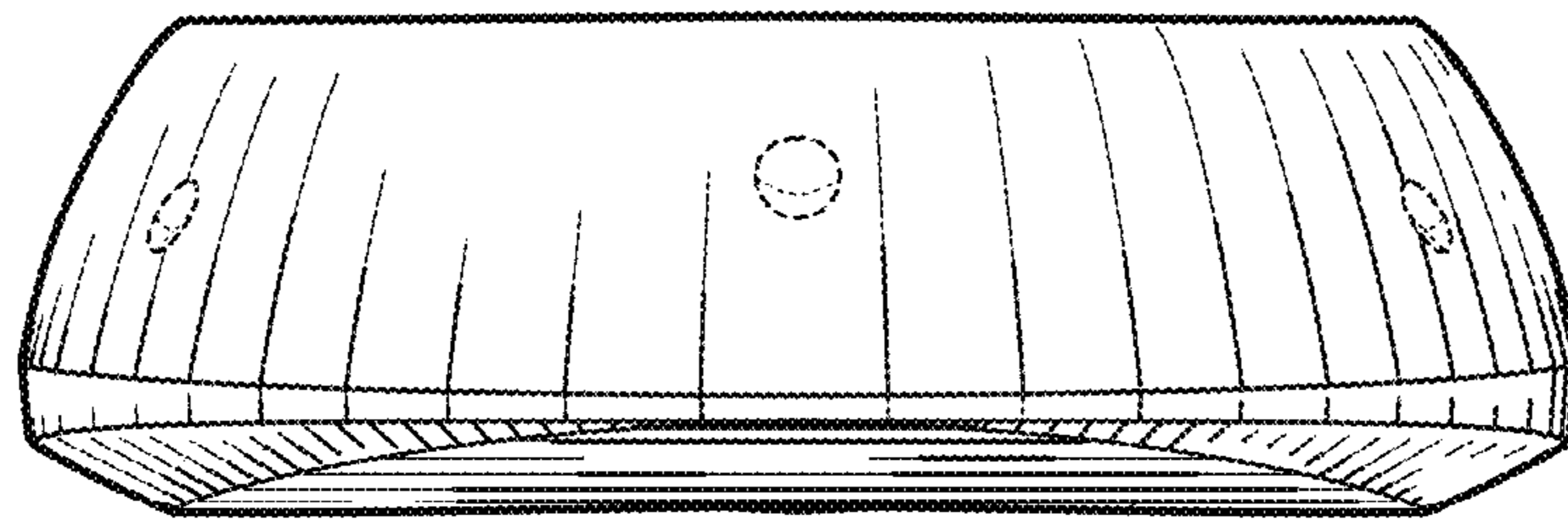


Fig. 2

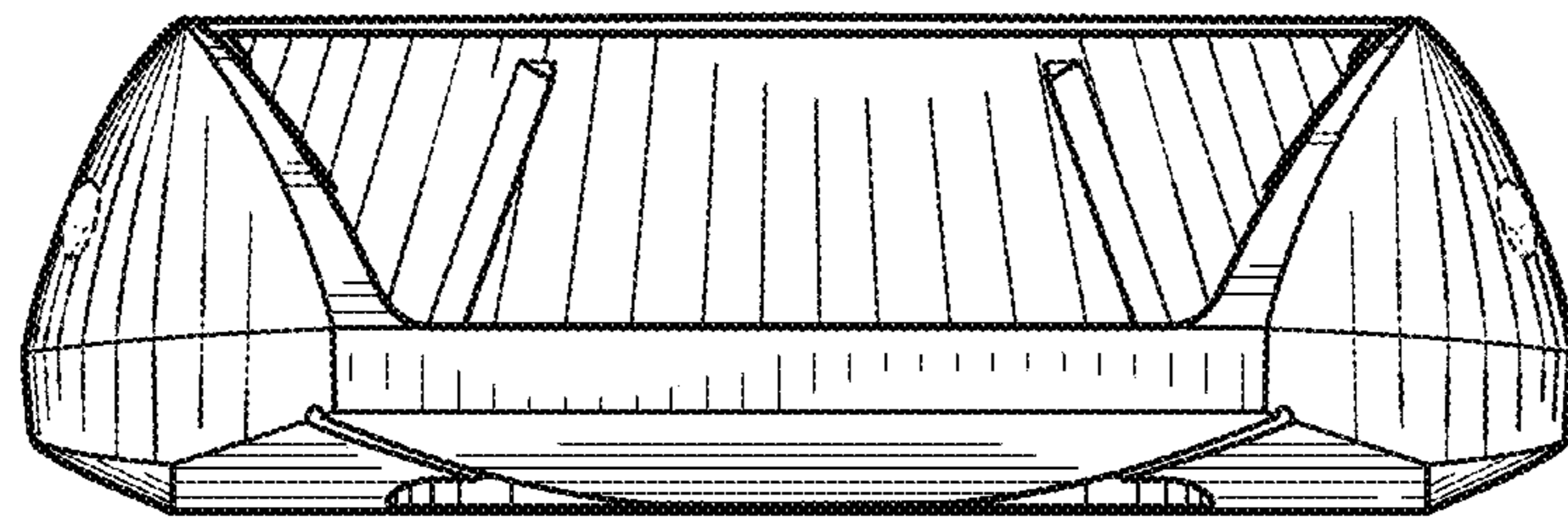


Fig. 3

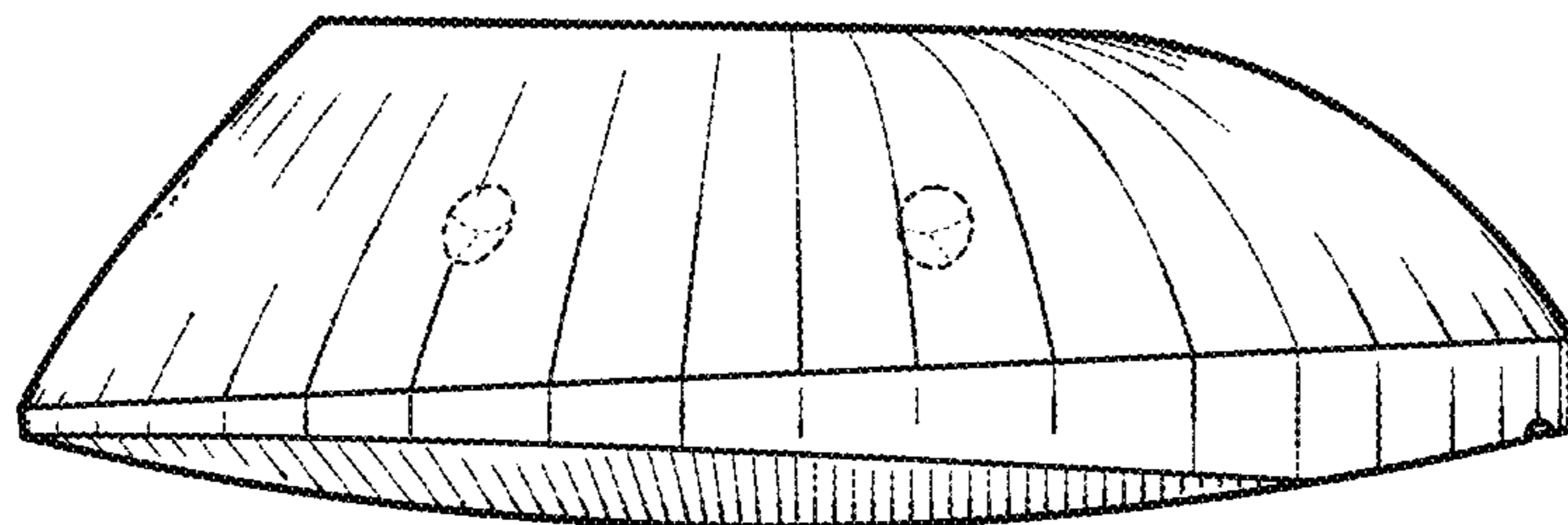


Fig. 4

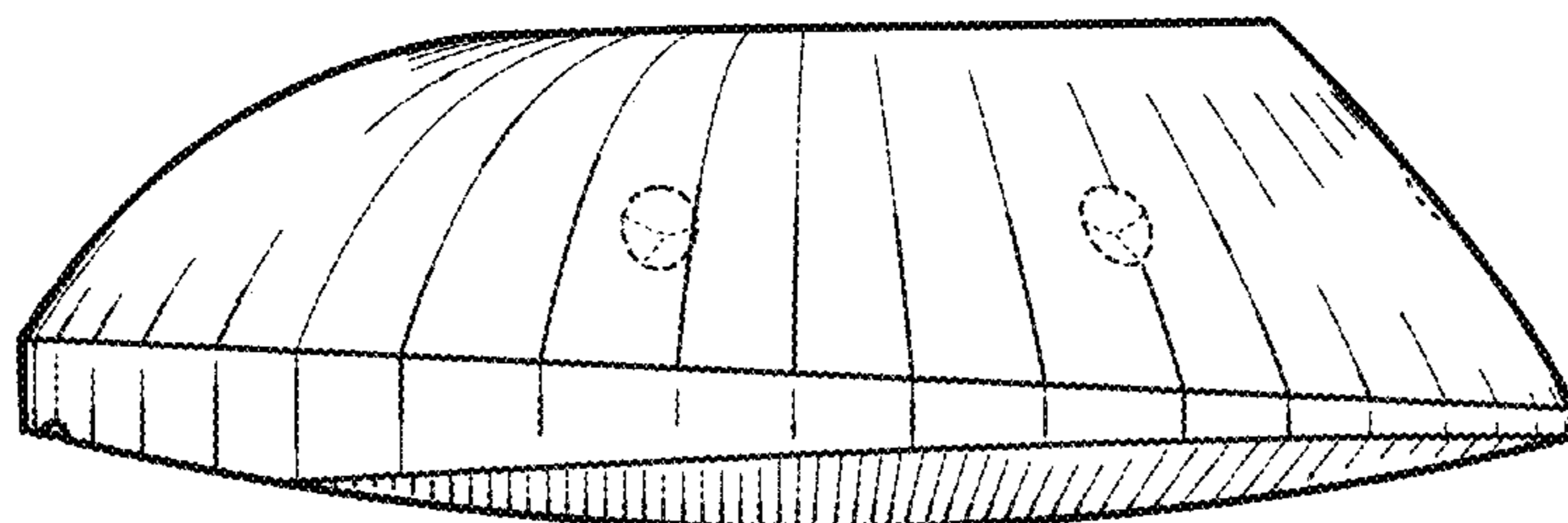


Fig. 5

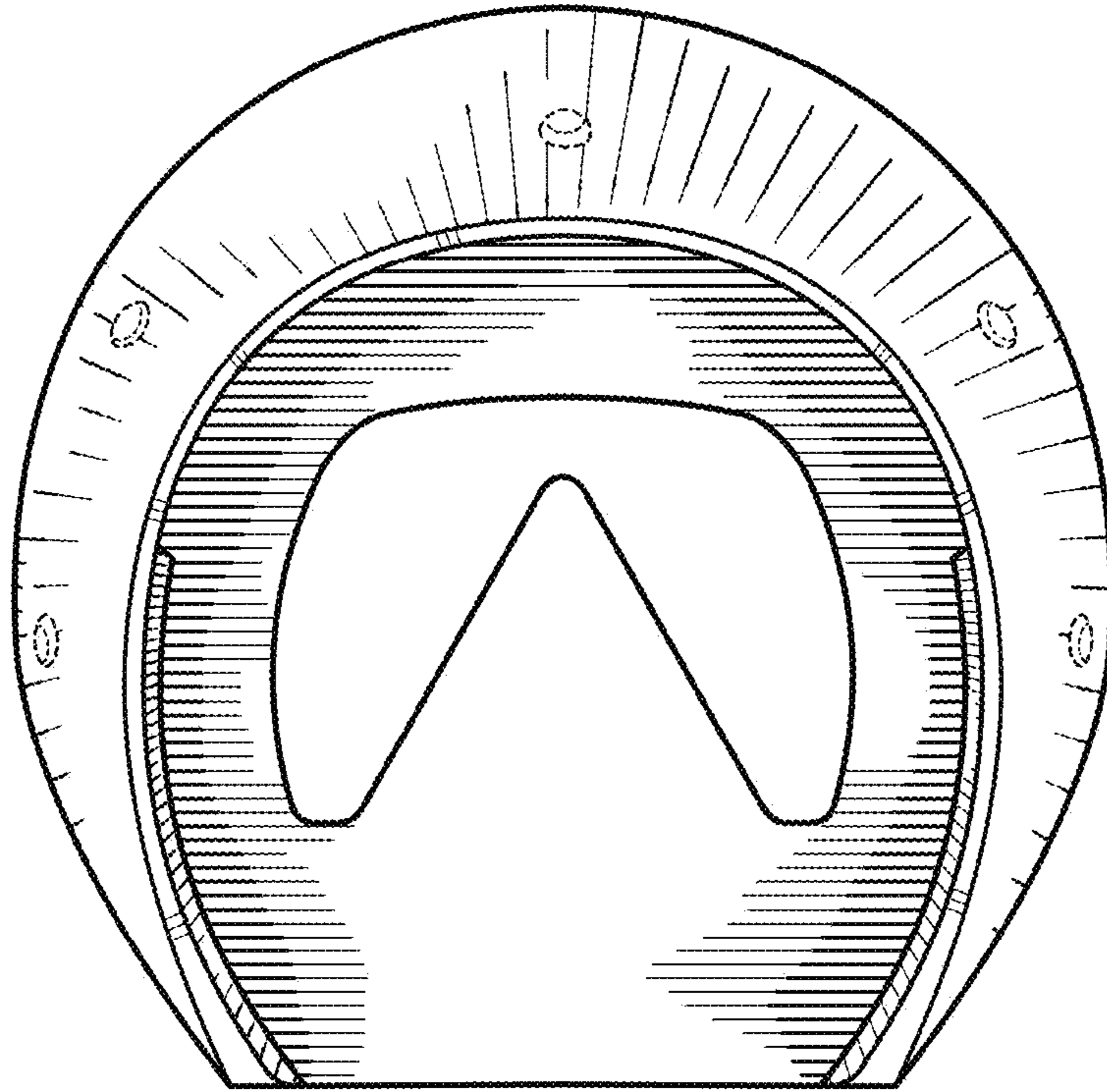


Fig. 6

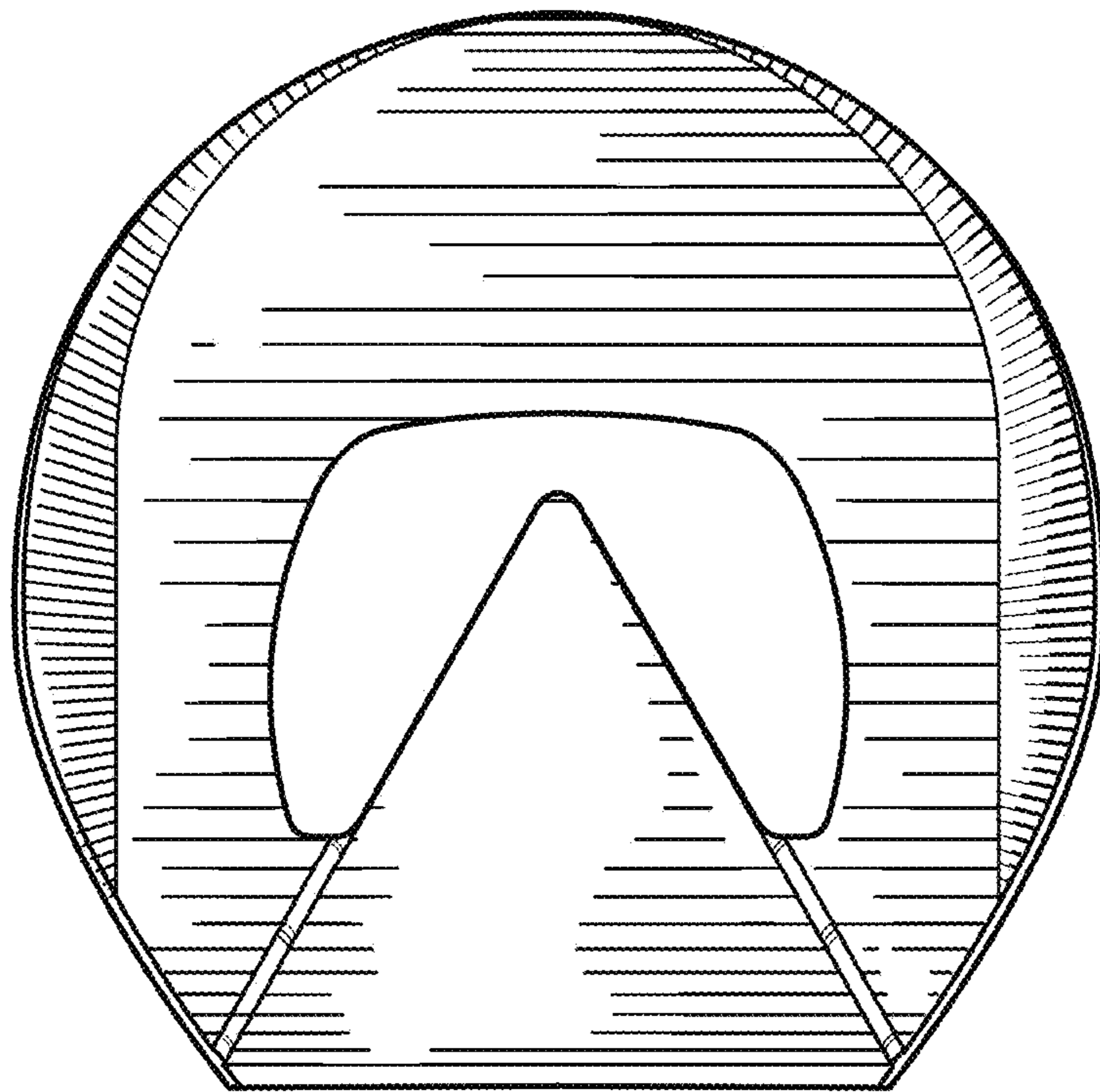


Fig. 7