



US00D876029S

(12) **United States Design Patent** (10) **Patent No.:** **US D876,029 S**
Blair (45) **Date of Patent:** **** Feb. 18, 2020**

(54) **HORSESHOE**
(71) Applicant: **Advanced Equine Comfort, LLC**,
Highlands, NC (US)
(72) Inventor: **Susan Blair**, Highlands, NC (US)
(73) Assignee: **Advanced Equine Comfort, LLC**,
Highlands, NC (US)
(**) Term: **15 Years**
(21) Appl. No.: **29/622,058**
(22) Filed: **Oct. 13, 2017**
(51) **LOC (12) Cl.** **30-01**
(52) **U.S. Cl.**
USPC **D30/147**
(58) **Field of Classification Search**
USPC D30/146, 147, 148, 149, 150; D9/650;
D21/387; D24/192; D2/897, 906, 919,
D2/943, 980
CPC A01L 1/02; A01L 5/00
See application file for complete search history.

D257,693 S * 12/1980 Poust, Sr. D30/148
D271,912 S 10/1983 Kurpakus
4,470,466 A 9/1984 Nakanishi
4,564,071 A 1/1986 Lee
D285,499 S 9/1986 Nakanishi
D295,907 S 5/1988 Decker
(Continued)

FOREIGN PATENT DOCUMENTS

FR 2860127 A1 4/2005
WO WO-2004107857 A2 * 12/2004 A01L 5/00

OTHER PUBLICATIONS

“Advanced Equine Comfort Releases New Slipper for Hind Feet”.
Found online May 28, 2019 at americanfarriers.com. Page dated
Jun. 7, 2018. Retrieved from <https://www.americanfarriers.com/articles/10290-advanced-equine-comfort-releases-new-slipper-for-hind-feet>.*

(Continued)

Primary Examiner — Kendra Leslie Hamilton
(74) *Attorney, Agent, or Firm* — Kim and Lahey Law
Firm, LLC; Seann P. Lahey

(57) **CLAIM**

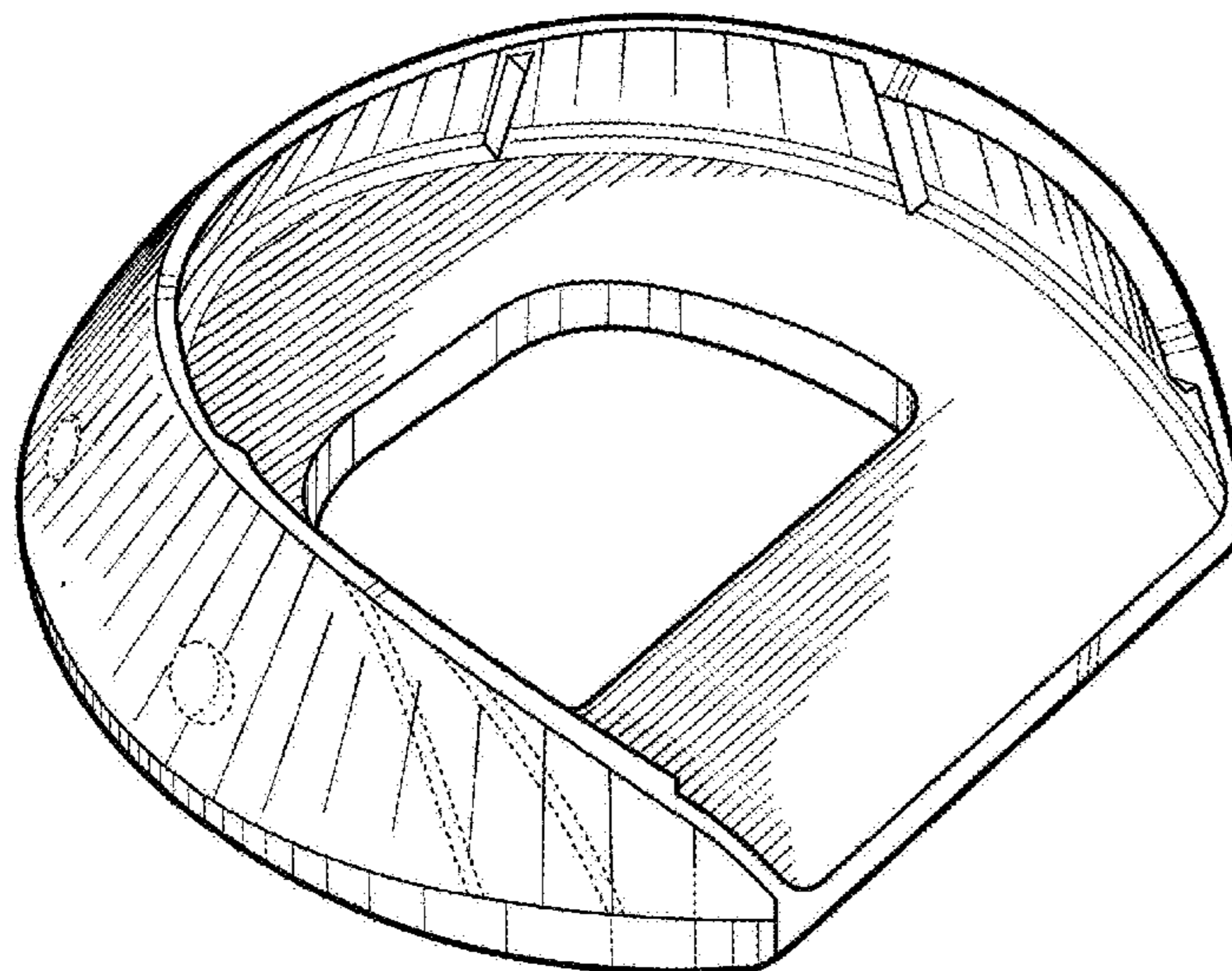
The ornamental design for a horseshoe, as shown and
described.

DESCRIPTION

FIG. 1 is a top, rear perspective view of a horseshoe,
showing my new design;
FIG. 2 is a front elevation view thereof;
FIG. 3 is a rear elevation view thereof;
FIG. 4 is a left side elevation view thereof;
FIG. 5 is a right side elevation view thereof;
FIG. 6 is a top plan view thereof; and,
FIG. 7 is a bottom plan view thereof.
The broken lines in the drawings depict portions of the
horseshoe that form no part of the claimed design.

1 Claim, 3 Drawing Sheets

(56) **References Cited**
U.S. PATENT DOCUMENTS
D177,991 S 5/1876 Cook
2,041,538 A * 5/1936 Gash A01L 5/00
168/1
3,236,310 A 2/1966 Quick
3,486,561 A 12/1969 Kulak
3,490,536 A * 1/1970 Hourlier A01L 5/00
168/12
3,599,720 A * 8/1971 Mathern A01L 3/00
D30/147
D230,284 S 2/1974 Shenton et al.
3,794,119 A 2/1974 Paiso et al.
3,967,683 A * 7/1976 Ensinozo A01L 3/00
168/4
D253,013 S * 9/1979 Hiraoka D30/148
4,189,004 A 2/1980 Glass
4,212,356 A 7/1980 Battle



(56)

References Cited

U.S. PATENT DOCUMENTS

4,892,150 A 1/1990 Thoman
 5,148,872 A 9/1992 Dallmer
 5,272,857 A 12/1993 Logan
 D359,597 S 6/1995 Dixon
 D440,363 S 4/2001 Ford
 6,516,594 B2 2/2003 Clark et al.
 7,178,321 B2 2/2007 Ruetenik
 D565,255 S 3/2008 Lander
 D580,111 S 11/2008 Lander
 D603,108 S 10/2009 Lander
 D609,551 S 2/2010 Gibbs
 D629,165 S * 12/2010 Lander D30/146
 D629,977 S 12/2010 Ford
 D644,271 S 8/2011 Osborne
 8,151,546 B2 4/2012 Ford
 D671,694 S * 11/2012 Ford D30/146
 D683,084 S 5/2013 Lander
 D685,142 S 6/2013 Lander
 D689,246 S 9/2013 Blair et al.

D726,973 S * 4/2015 Ford A01L 1/02
 D30/147
 D746,519 S 12/2015 Ruetenik
 D767,830 S 9/2016 Blair
 D832,531 S 10/2018 Liblin
 D838,059 S * 1/2019 Ruetenik D30/147
 2005/0217870 A1 10/2005 Kolonia
 2007/0033909 A1 * 2/2007 Lustgarten A01K 13/007
 54/82
 2012/0118587 A1 * 5/2012 Patek A01K 13/007
 168/4
 2018/0020653 A1 1/2018 Charnley

OTHER PUBLICATIONS

“Easy’s Slipper: Our Story . . . How It All Began”. Found online May 28, 2019 at infohorse.com. Page dated Oct. 19, 2016. Retrieved from <https://web.archive.org/web/20161019011912/http://www.infohorse.com/ShowAd.asp?id=7496>. *
 Screen capture of website <http://advancedequinecomfort.com/order-now/open-rocker>.

* cited by examiner

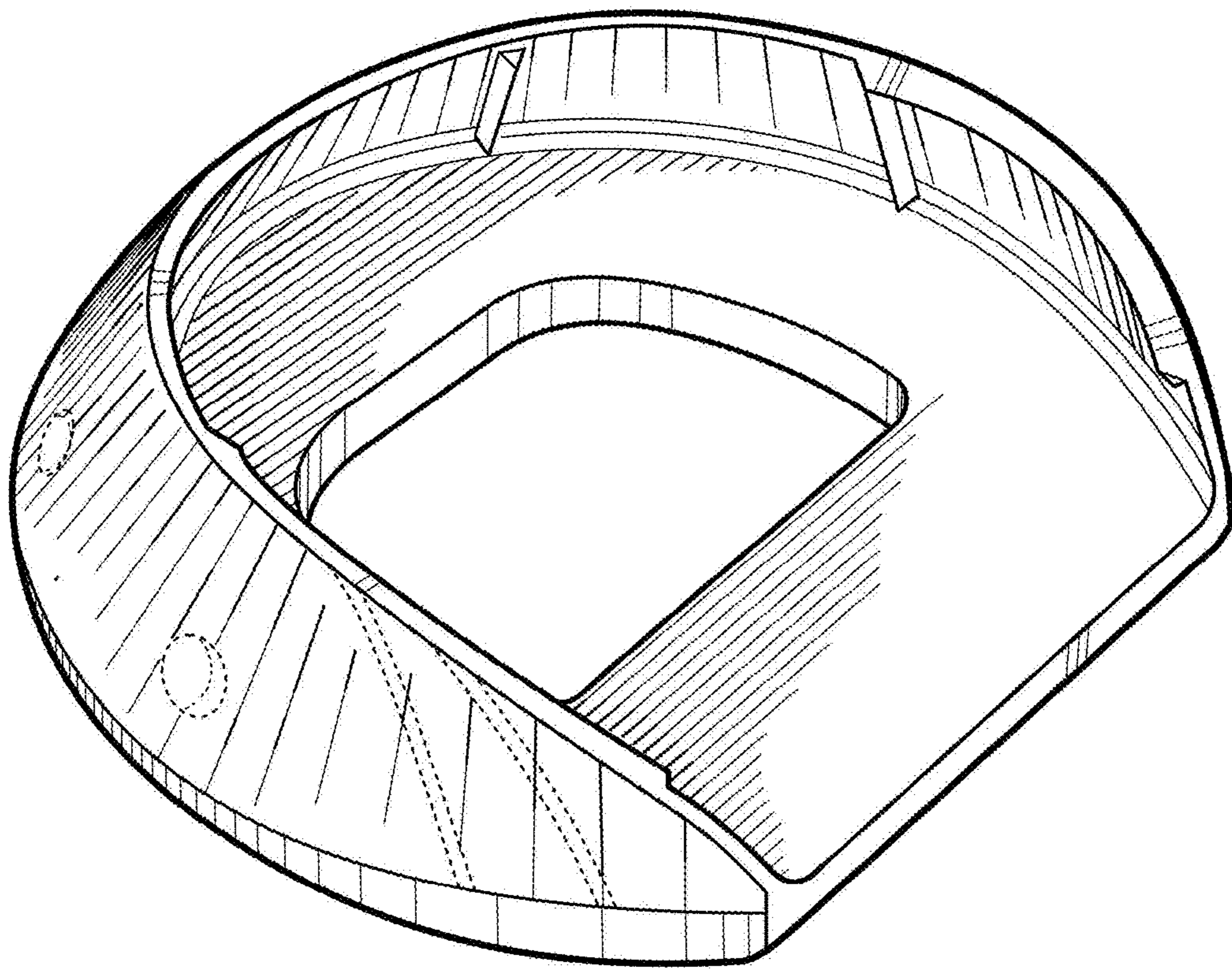


Fig. 1

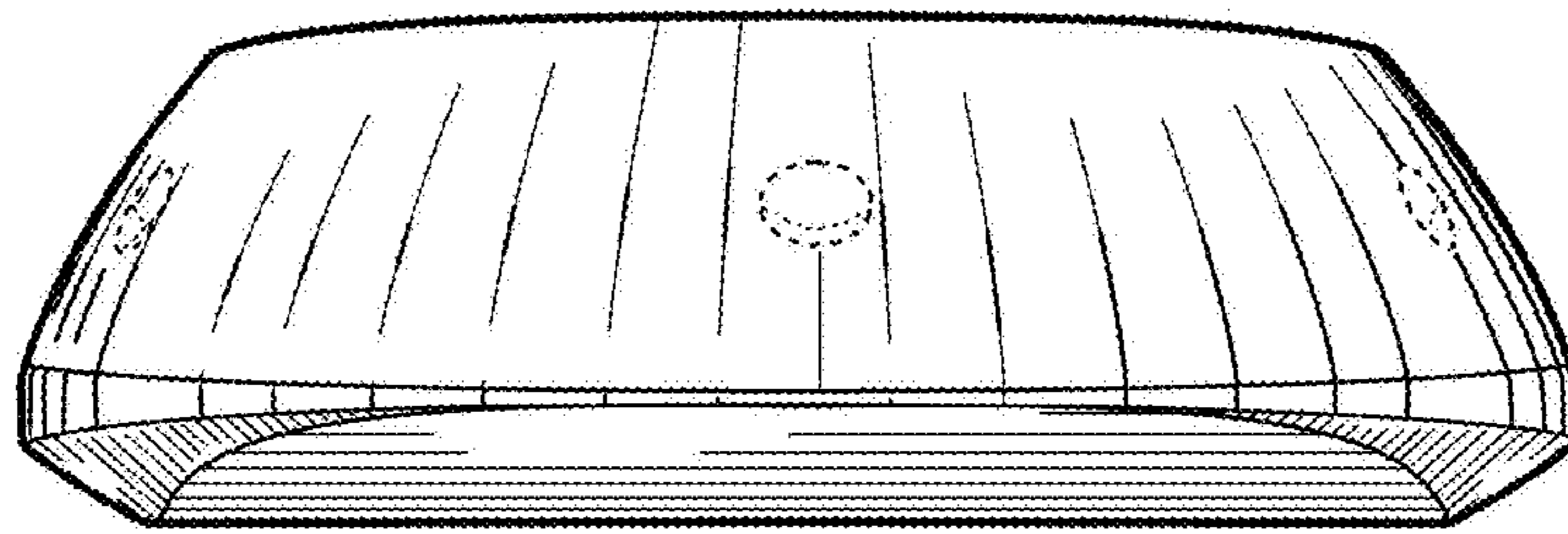


Fig. 2

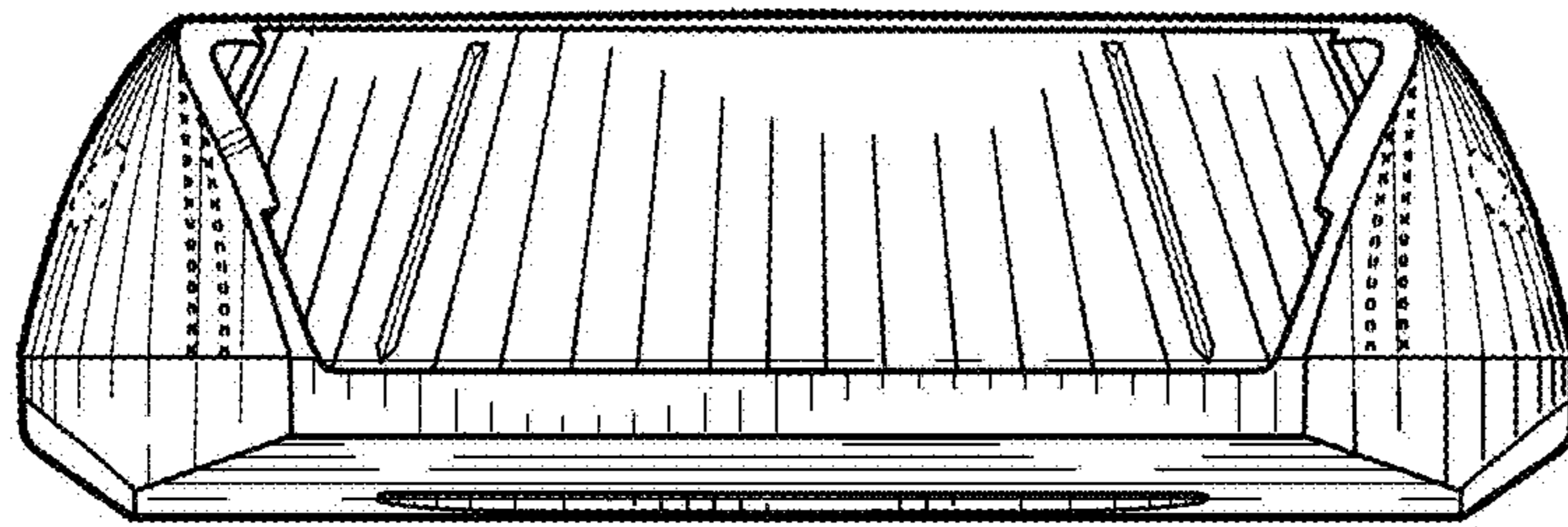


Fig. 3

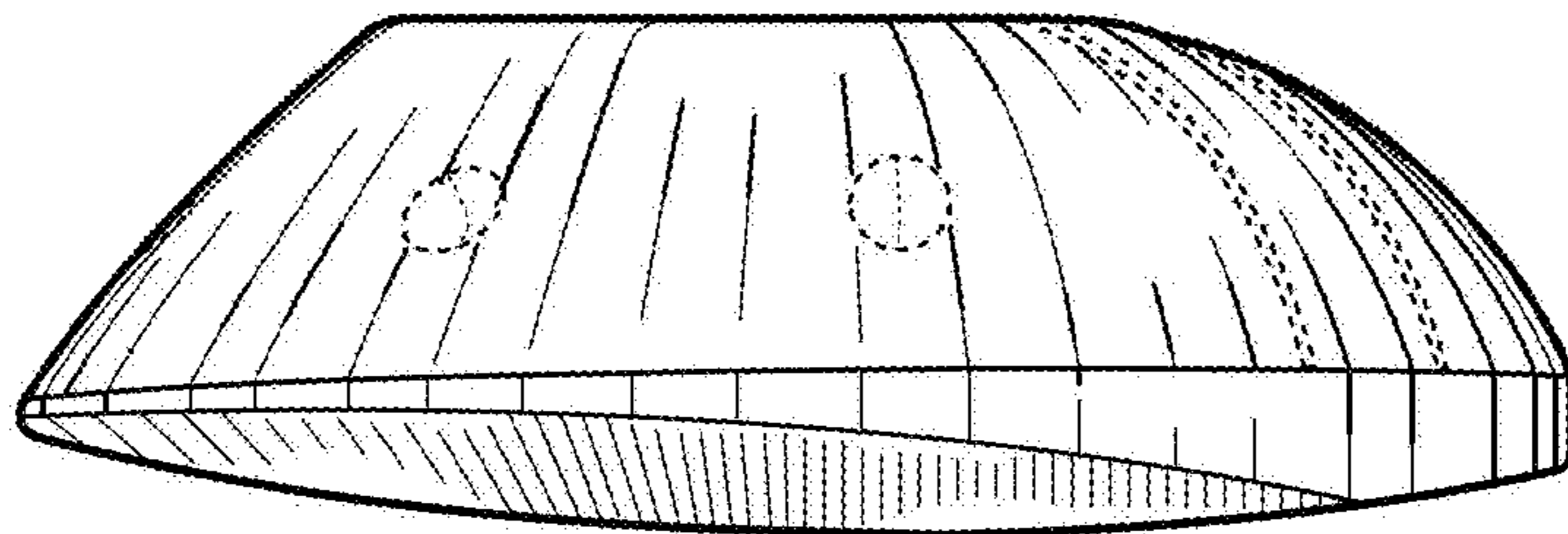


Fig. 4

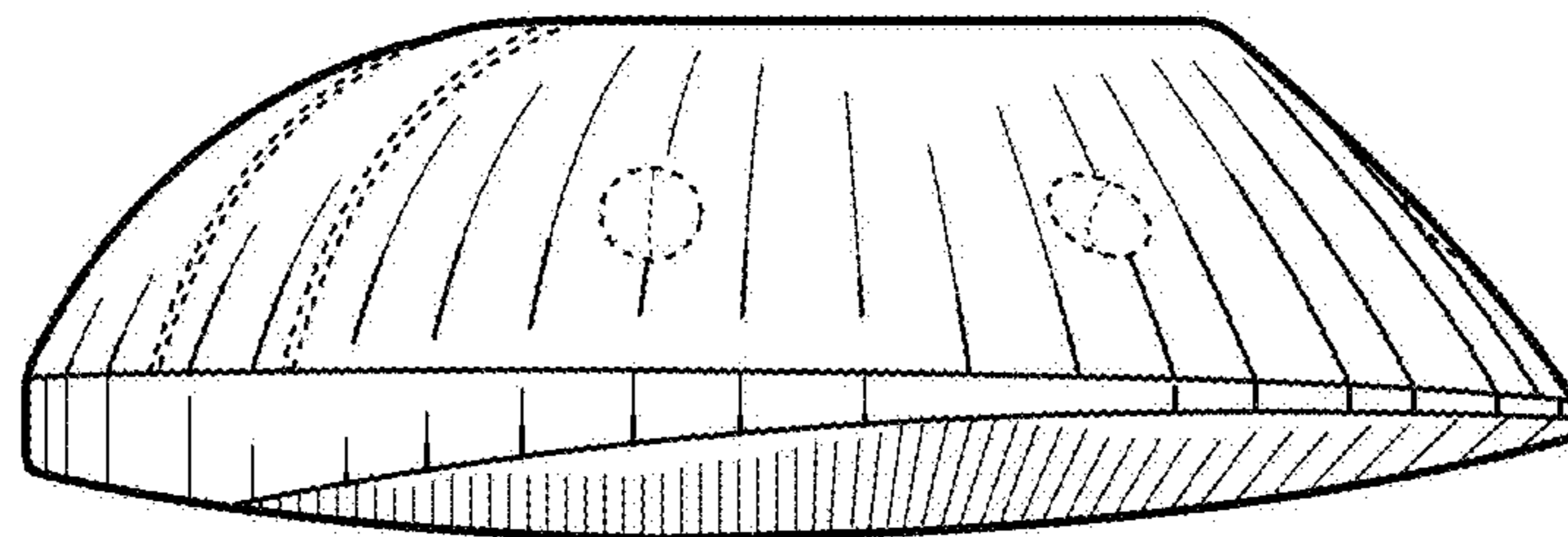


Fig. 5

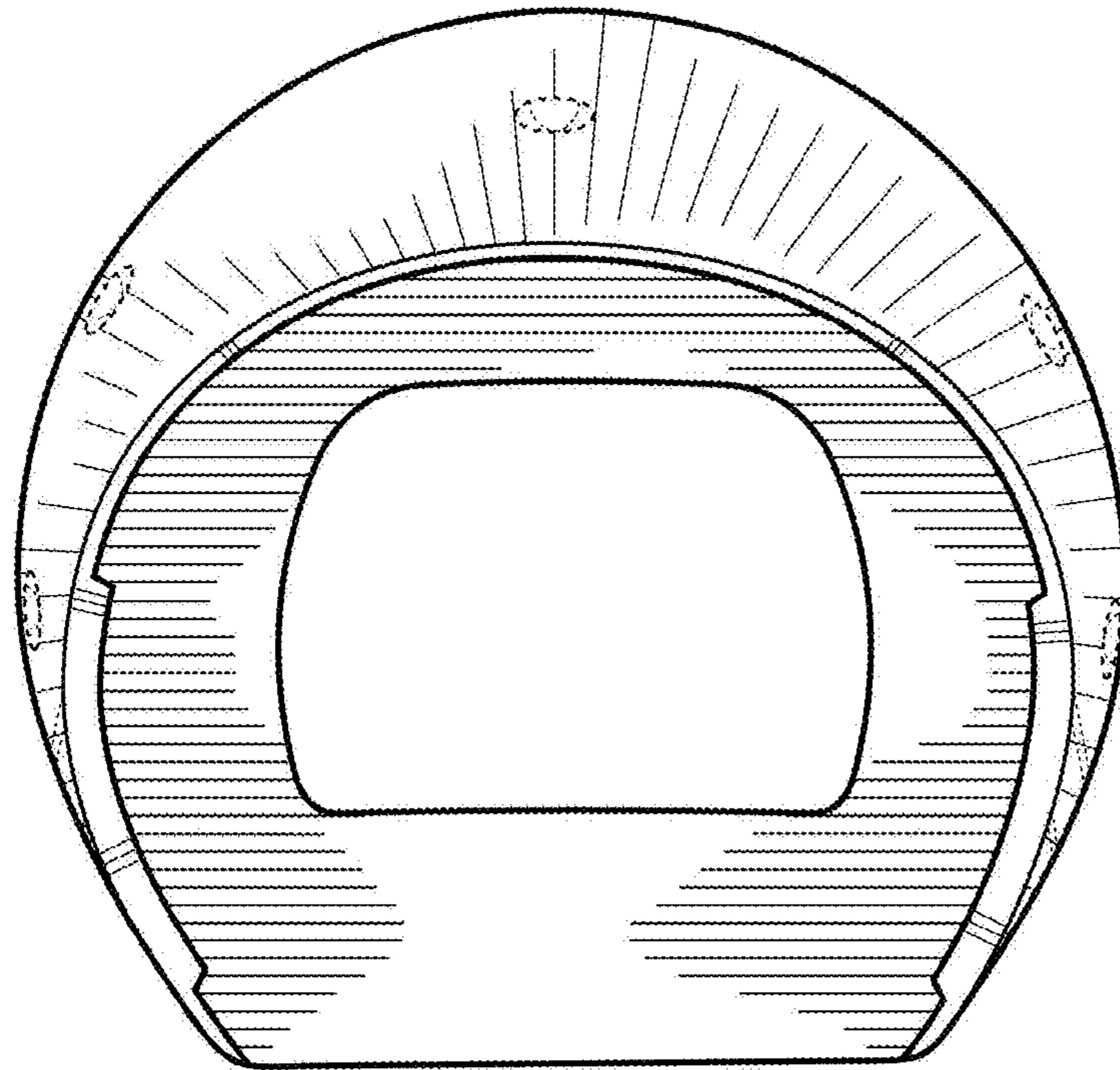


Fig. 6

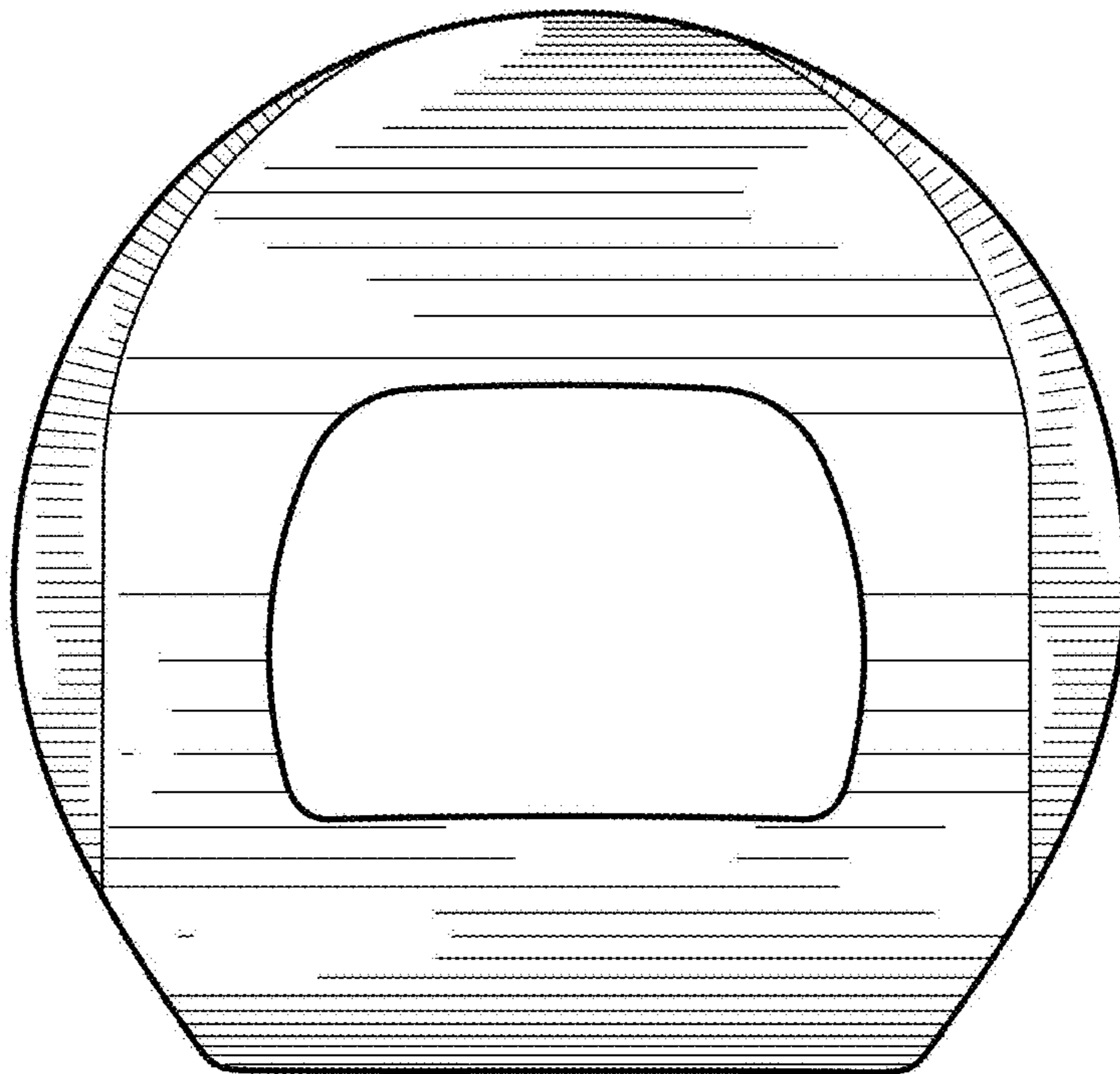


Fig. 7