



US00D876026S

(12) **United States Design Patent** (10) **Patent No.:** **US D876,026 S**  
**Gibson et al.** (45) **Date of Patent:** **\*\* Feb. 18, 2020**

(54) **VETERINARY ORTHOPEDIC BRACE FOR ELBOW**

9,642,766 B2 \* 5/2017 Lipshaw ..... A61H 1/008  
10,058,457 B2 \* 8/2018 Schuren ..... A61F 5/0109  
2005/0192524 A1 \* 9/2005 Lipshaw ..... A61F 13/06  
602/62

(71) Applicant: **CSTECH US**, Oceanside, CA (US)

(72) Inventors: **Chad Gibson**, Carlsbad, CA (US); **Jen Barrelli**, Oceanside, CA (US)

(73) Assignee: **CSTECH US**, Oceanside, CA (US)

(\*\*) Term: **15 Years**

(21) Appl. No.: **29/646,216**

(22) Filed: **May 2, 2018**

(51) **LOC (12) Cl.** ..... **30-01**

(52) **U.S. Cl.**  
USPC ..... **D30/144; D24/190**

(58) **Field of Classification Search**  
USPC ..... D24/190, 192, 209; D29/113; D30/144,  
D30/146, 149

See application file for complete search history.

(56) **References Cited**

**U.S. PATENT DOCUMENTS**

295,712 A \* 3/1884 Anderson ..... A01K 13/007  
54/80.1  
3,193,984 A \* 7/1965 Schubert ..... A01K 13/007  
54/82  
4,013,070 A \* 3/1977 Harroff ..... A61F 5/0109  
602/21  
4,504,054 A \* 3/1985 Jackson ..... A63B 69/0059  
473/214  
D354,137 S \* 1/1995 Neal ..... D24/190  
6,508,205 B1 \* 1/2003 Zink ..... A01K 13/007  
119/850  
6,883,466 B1 \* 4/2005 Chambers ..... A01K 13/007  
119/850  
D749,228 S \* 2/2016 O'Connor ..... D24/190  
9,370,703 B1 \* 6/2016 Lee ..... A63B 69/3623

**OTHER PUBLICATIONS**

“World-Bio Large Knee Ice Pack Wrap.” Found online Sep. 13, 2019 at www.amazon.com. Product reviewed Aug. 12, 2017. Retrieved from URL: [https://www.amazon.com/WORLD-BIO-Premium-Injuries-Flexible-Recovery/dp/B01M0X768G/ref=pd\\_lpo\\_sbs\\_121\\_img\\_1?\\_encoding=UTF8&psc=1&refRID=F45BPBCSH1C25C99T8ZT](https://www.amazon.com/WORLD-BIO-Premium-Injuries-Flexible-Recovery/dp/B01M0X768G/ref=pd_lpo_sbs_121_img_1?_encoding=UTF8&psc=1&refRID=F45BPBCSH1C25C99T8ZT) (Year: 2017).\*

(Continued)

*Primary Examiner* — Mary Ann Calabrese

*Assistant Examiner* — Katelin G Kloberg

(74) *Attorney, Agent, or Firm* — Gordon Rees Scully Mansukhani LLP; Reid E. Dammann; Kathryn K. Hull

(57) **CLAIM**

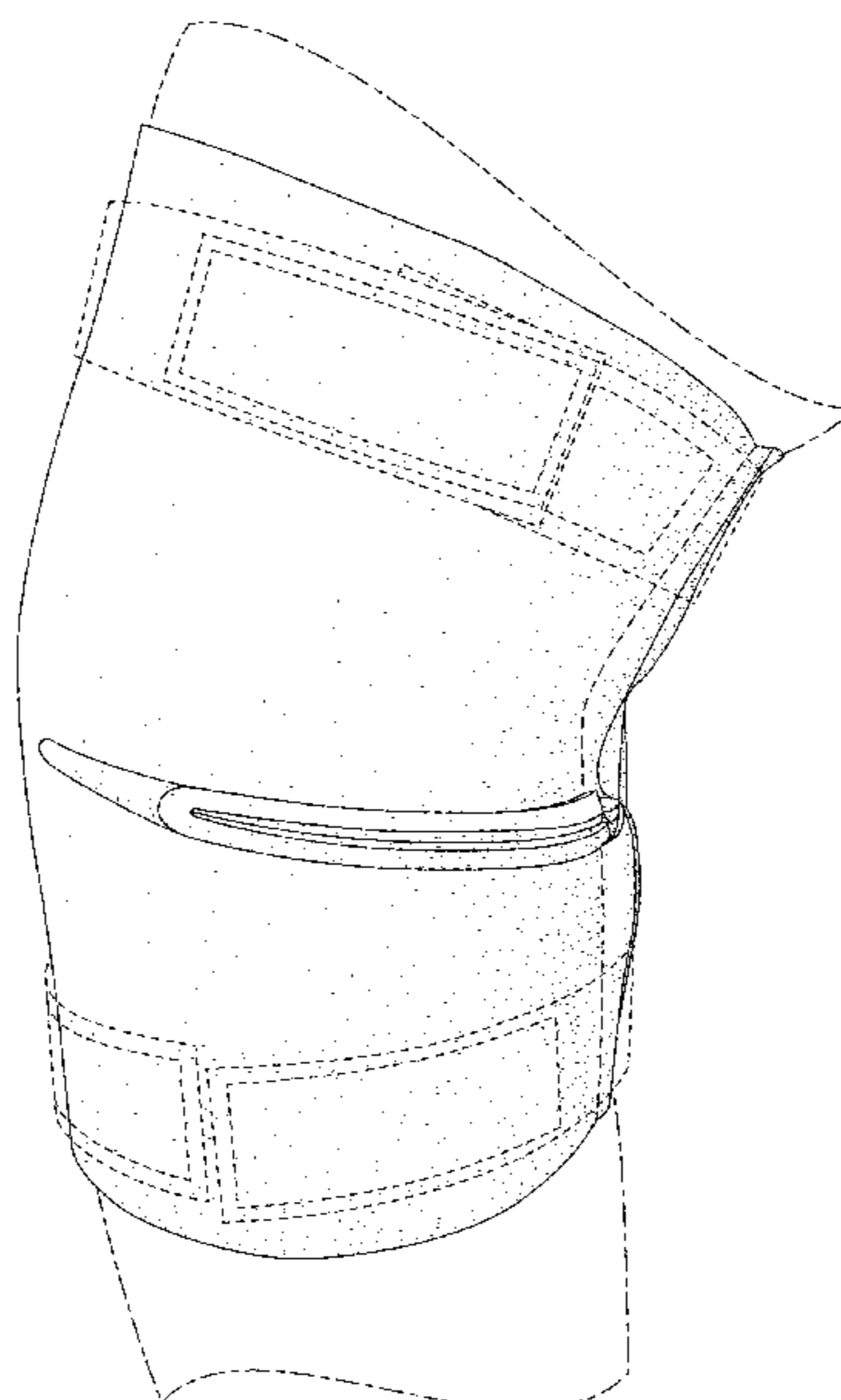
The ornamental design for a veterinary orthopedic brace for elbow, as shown and described.

**DESCRIPTION**

FIG. 1 is a left side elevation view of a veterinary orthopedic brace for elbow, showing our new design;  
FIG. 2 is a right side elevation view thereof;  
FIG. 3 is a left side view shown within an environment of use;  
FIG. 4 is a rear view thereof;  
FIG. 5 is a right side view thereof;  
FIG. 6 is a front view thereof;  
FIG. 7 is a top plan view of the article as shown in FIG. 1; and,  
FIG. 8 is a bottom plan view thereof.

The evenly spaced broken lines depict portions of the article that form no part of the claimed design. The long dash-short dash broken lines depict environmental subject matter that forms no part of the claimed design.

**1 Claim, 8 Drawing Sheets**



(56)

**References Cited**

OTHER PUBLICATIONS

“BraceUP Wearable Hot and Cold Therapy Ice Knee Wrap.” Found online Sep. 13, 2019 at [www.amazon.com](http://www.amazon.com). Product reviewed Jun. 15, 2018. Retrieved from URL: <https://tinyurl.com/y5aqnxjz> (Year: 2018).\*

“ActiveWrap Knee Ice Pack Wrap.” Found online Sep. 13, 2019 at [www.amazon.com](http://www.amazon.com). Product reviewed Apr. 24, 2013. Retrieved from URL: [https://www.amazon.com/dp/B001E8L3K8/ref=psdc\\_13106351\\_t4\\_B007JX3XNM](https://www.amazon.com/dp/B001E8L3K8/ref=psdc_13106351_t4_B007JX3XNM) (Year: 2013).\*

\* cited by examiner

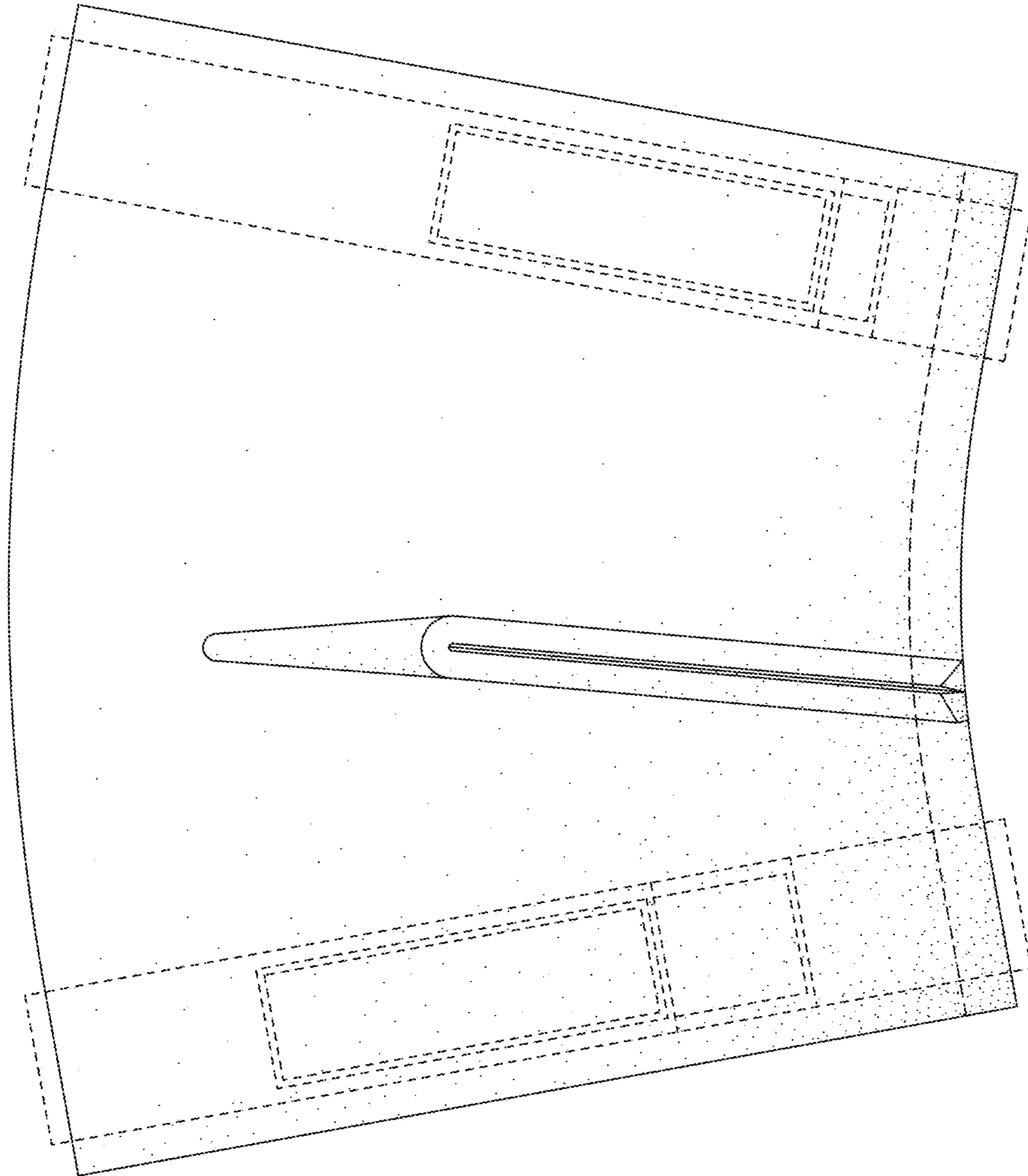


FIG. 1

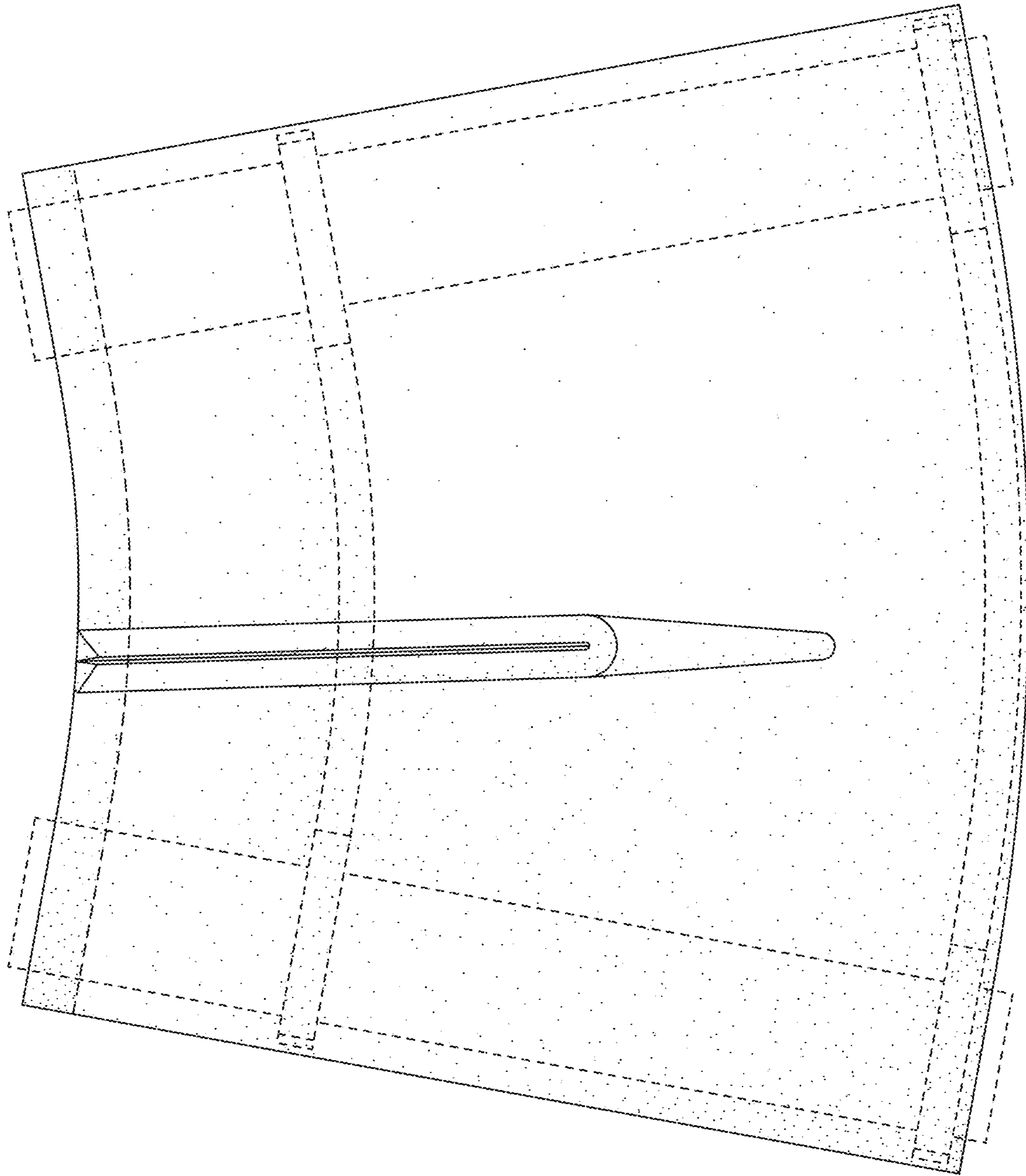


FIG. 2

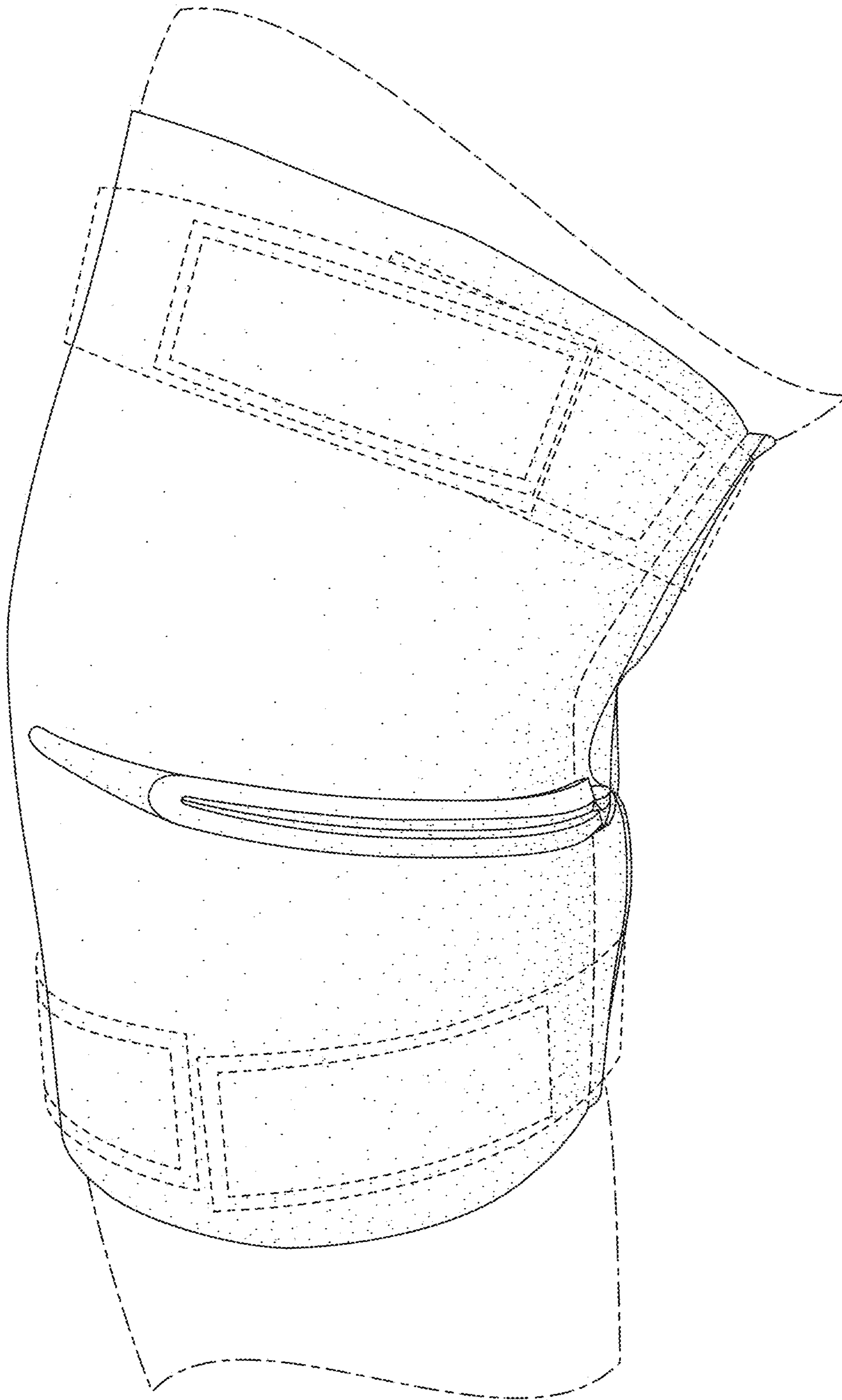


FIG. 3

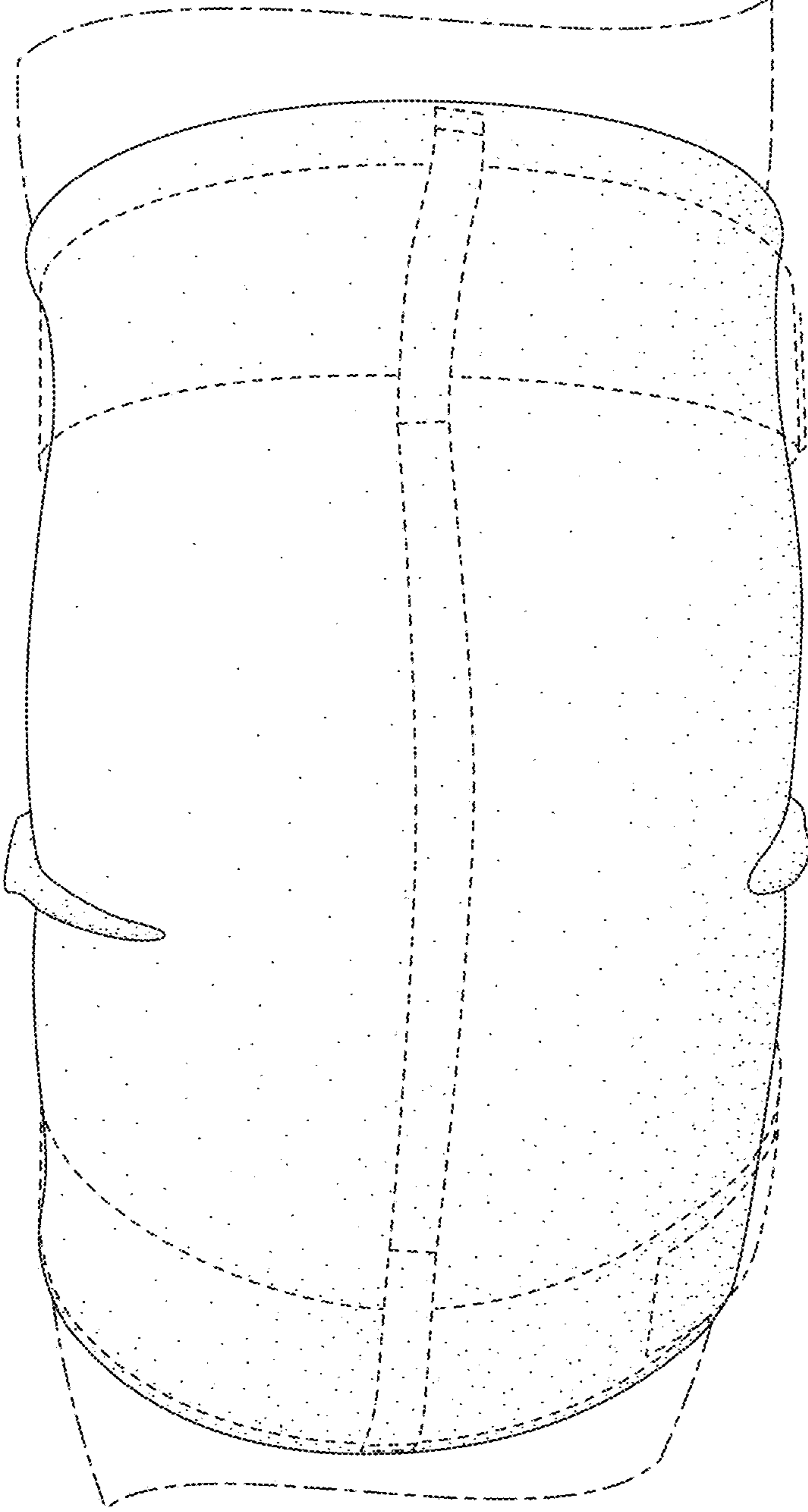


FIG. 4

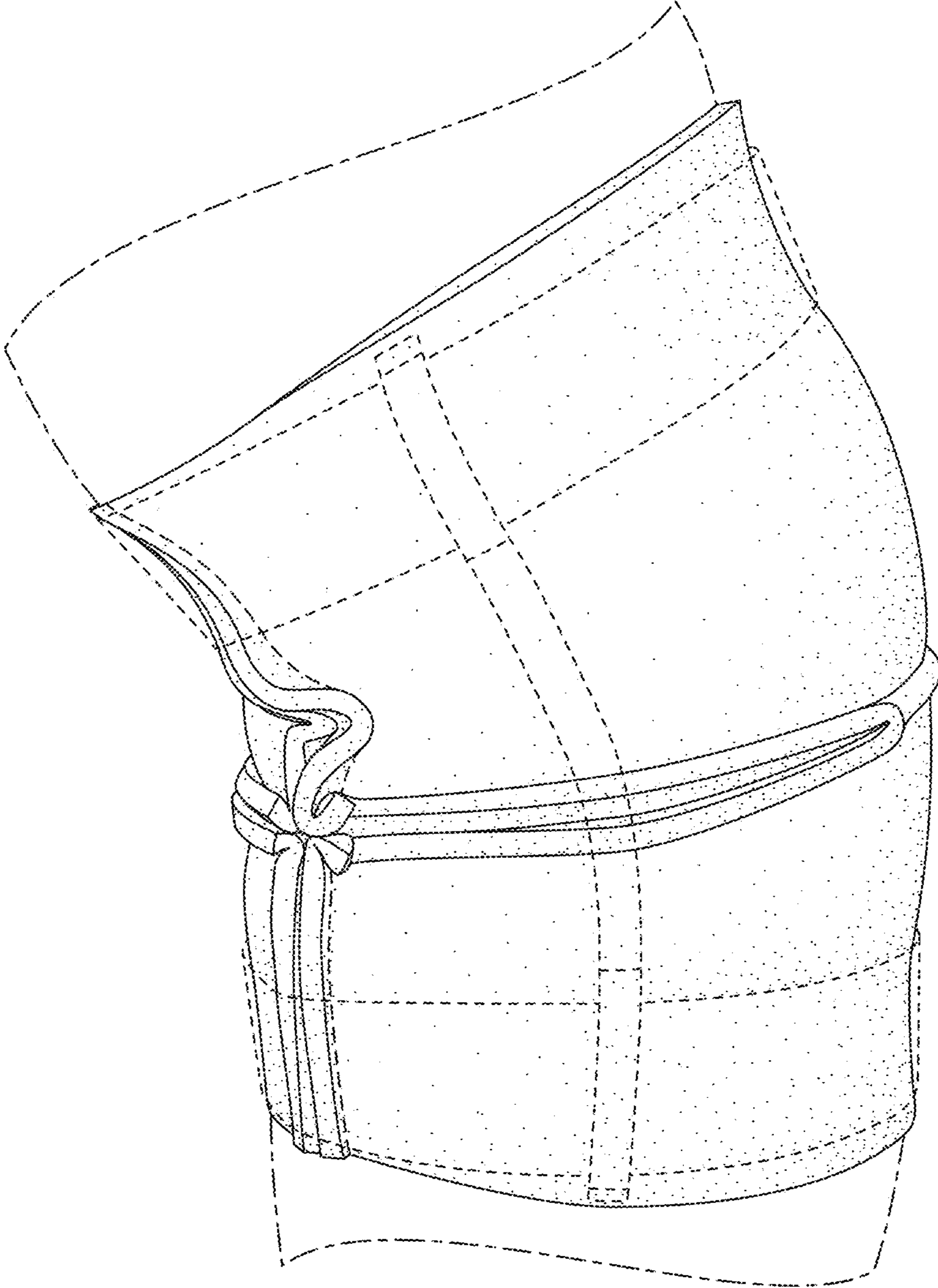


FIG. 5

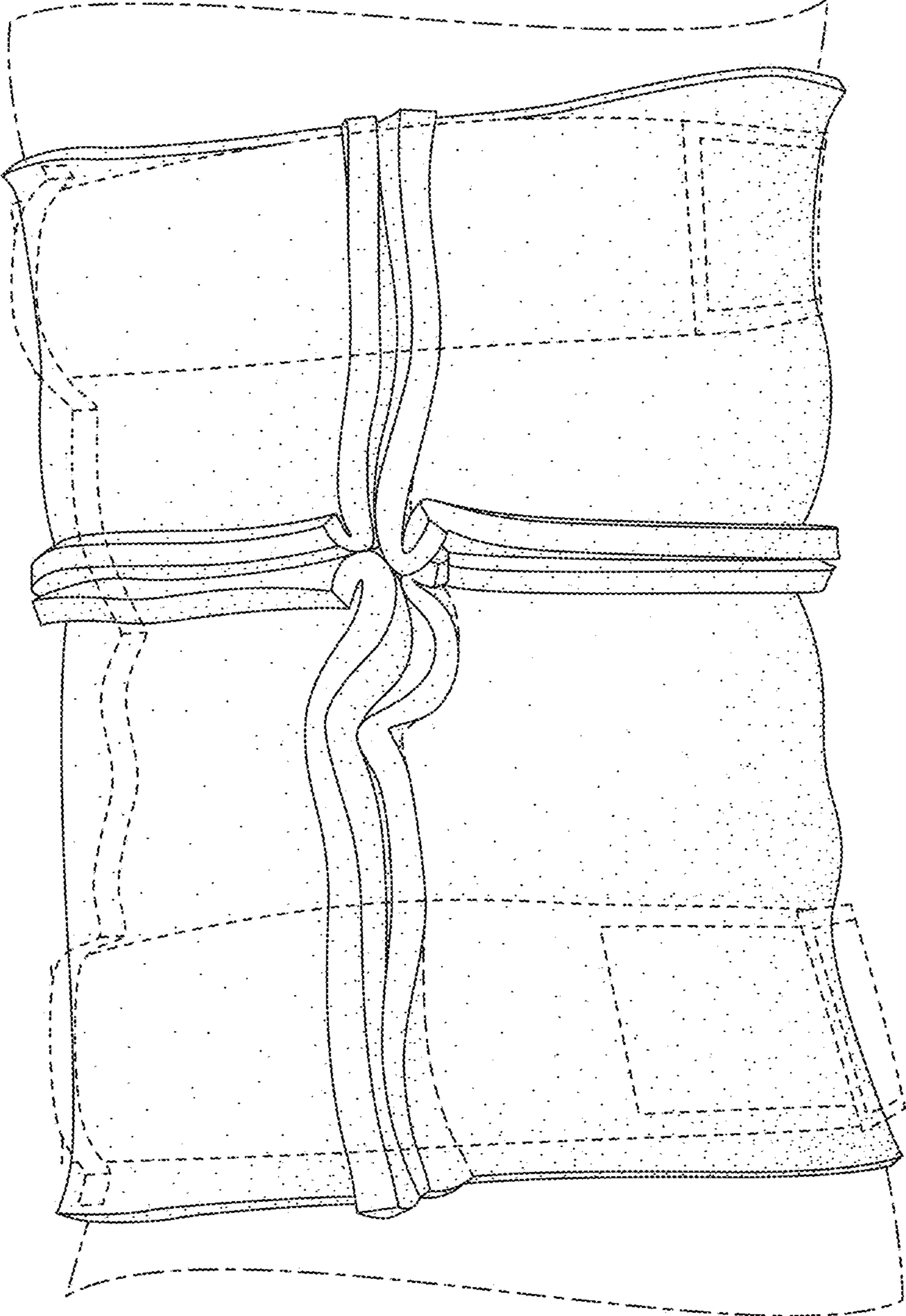


FIG. 6



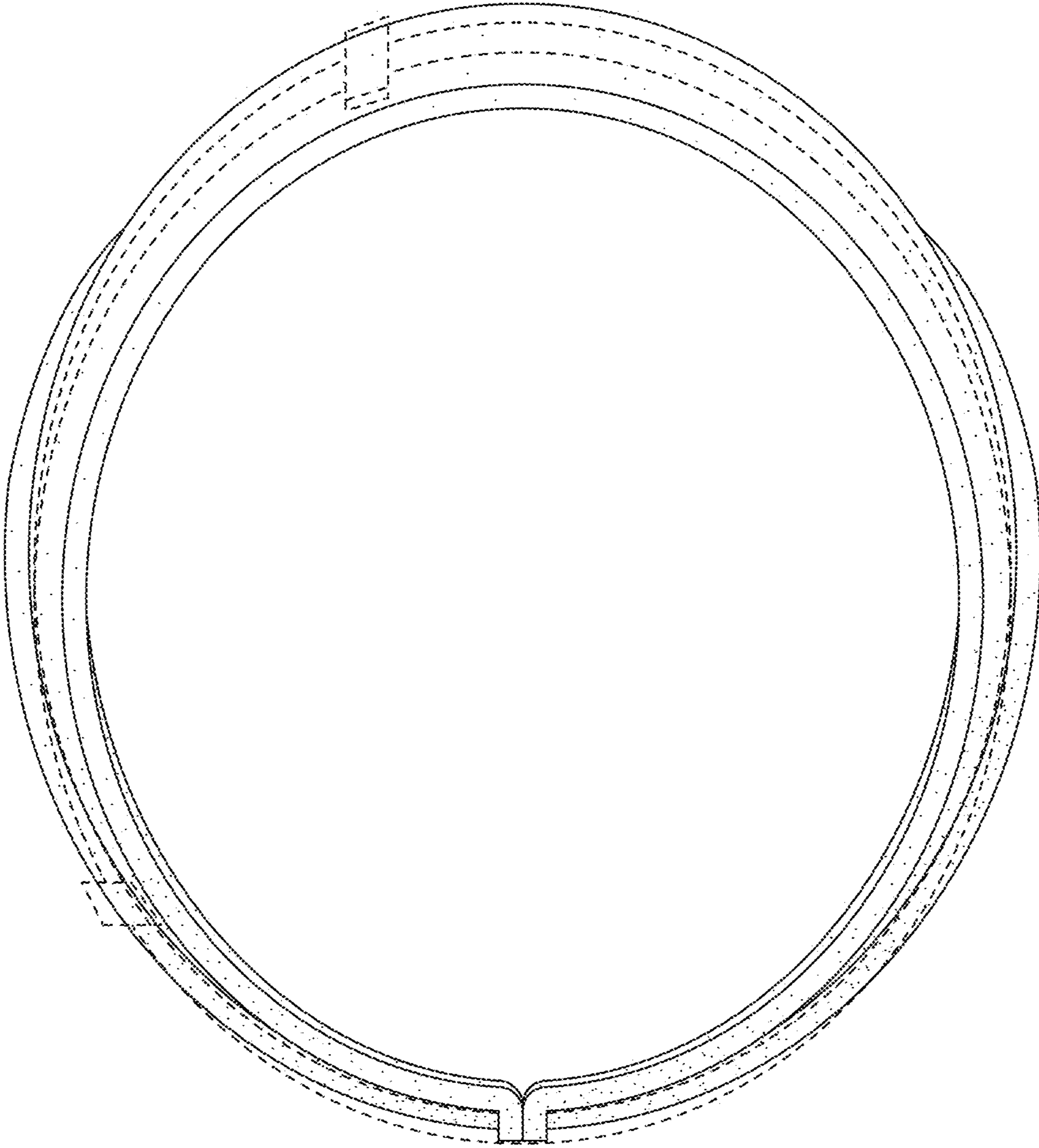


FIG. 7

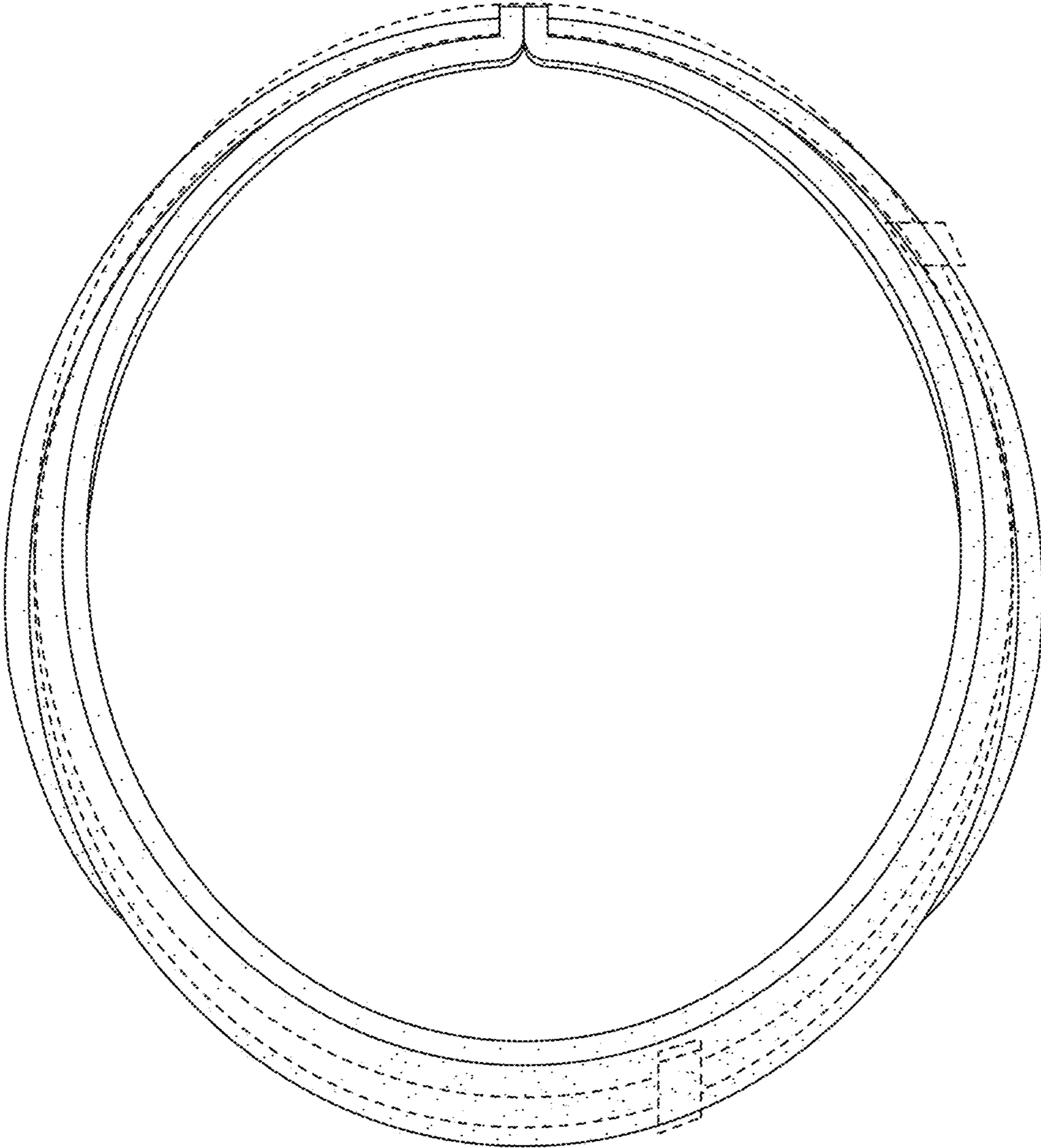


FIG. 8