

US00D876025S

(12) **United States Design Patent** (10) **Patent No.:** **US D876,025 S**
Shaum (45) **Date of Patent:** **** Feb. 18, 2020**

(54) **PORTABLE STALL JACK**
(71) Applicant: **Michael Shaum**, Indian Rocks Beach, FL (US)
(72) Inventor: **Michael Shaum**, Indian Rocks Beach, FL (US)
(**) Term: **15 Years**
(21) Appl. No.: **29/623,711**
(22) Filed: **Oct. 26, 2017**
(51) **LOC (12) Cl.** **30-04**
(52) **U.S. Cl.**
USPC **D30/143**
(58) **Field of Classification Search**
USPC D30/134, 143; 119/816, 755, 756, 757, 119/788, 712, 752; 168/44
CPC A01L 13/00; A01L 11/00; A01L 15/00
See application file for complete search history.

D509,327 S * 9/2005 Keeler 168/44
7,270,192 B2 * 9/2007 Leonard A01L 13/00
168/44
D578,713 S * 10/2008 Keeler D30/143
2006/0113090 A1 * 6/2006 DeCola A01L 11/00
168/44

OTHER PUBLICATIONS

Stall Jack "www.wasatchfab.com". Web. 2018. Shown in p. 1.*

* cited by examiner

Primary Examiner — Cynthia Ramirez
Assistant Examiner — Gino Colan
(74) *Attorney, Agent, or Firm* — Harpman & Harpman

(57) **CLAIM**

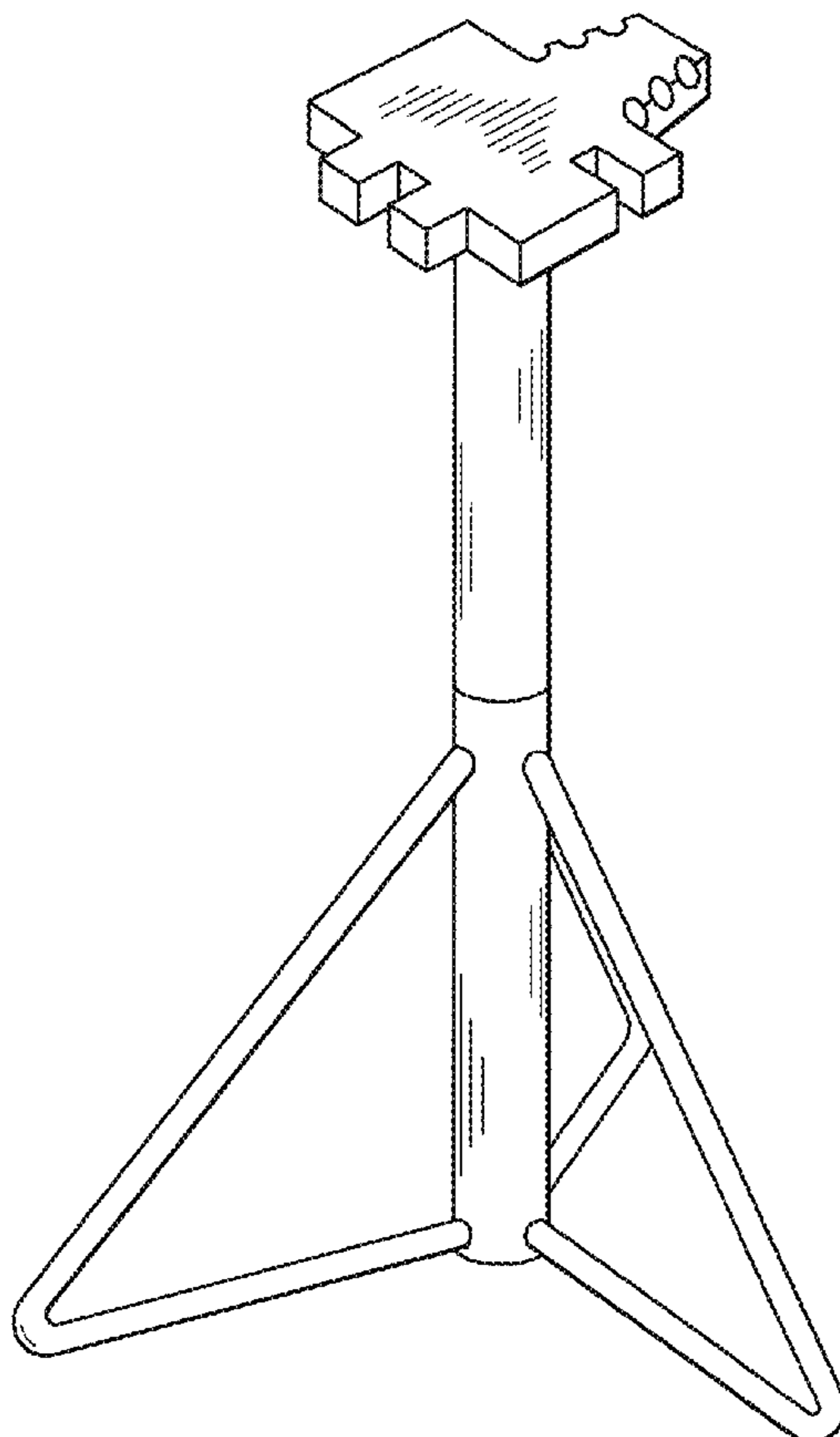
The ornamental design for a portable stall jack, as shown and described.

DESCRIPTION

FIG. 1 is a front, left and top perspective view of a portable stall jack showing my new design.
FIG. 2 is a top plan view thereof.
FIG. 3 is a bottom plan view thereof.
FIG. 4 is a rear elevational view thereof; and,
FIG. 5 is a right side enlarged elevational view with portions broken away.

(56) **References Cited**
U.S. PATENT DOCUMENTS
443,346 A * 12/1890 Allen A01L 11/00
168/44
1,146,163 A * 7/1915 Holmes A01L 11/00
168/44
4,167,216 A * 9/1979 Beaston A01L 11/00
168/44

1 Claim, 4 Drawing Sheets



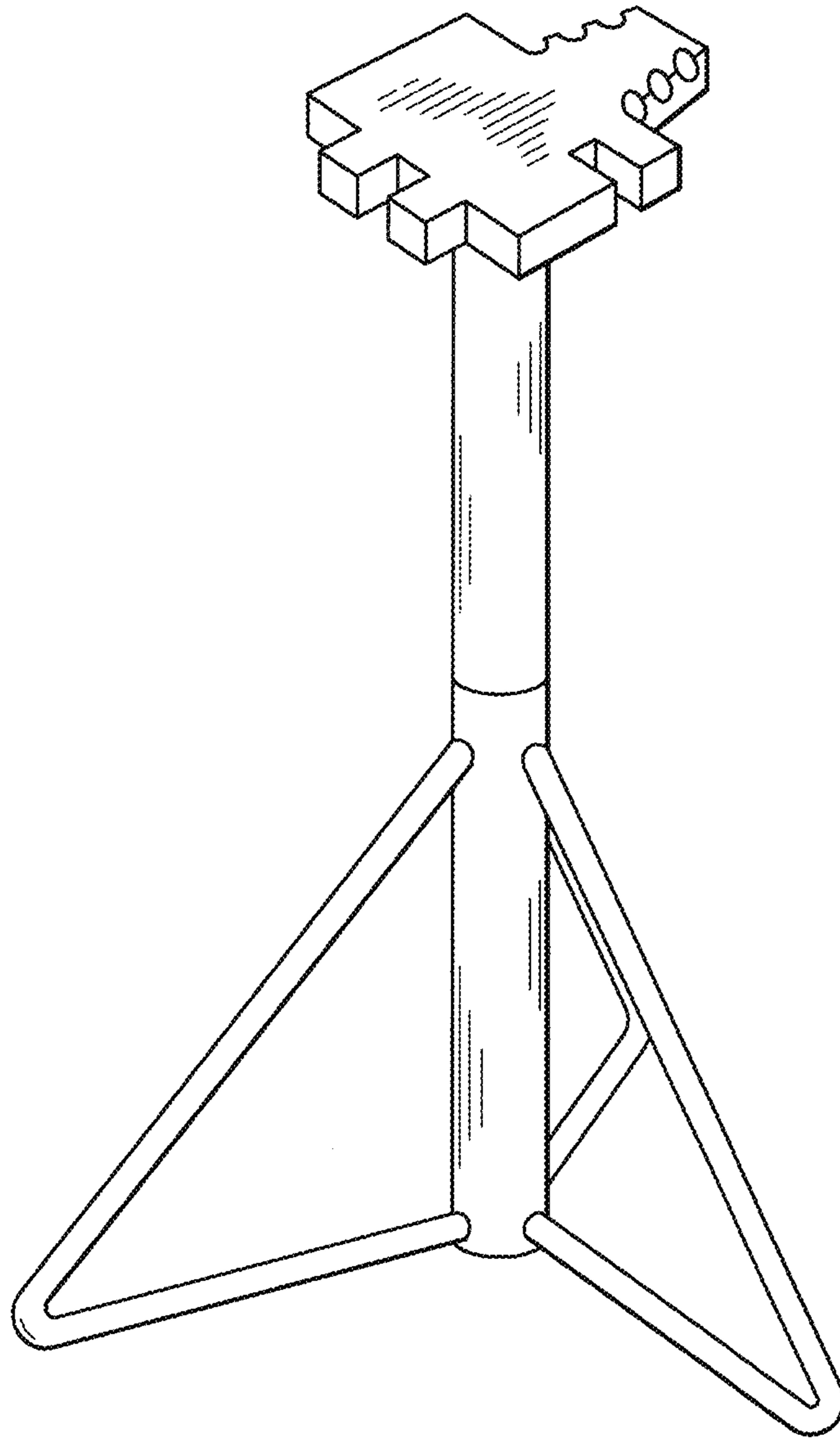
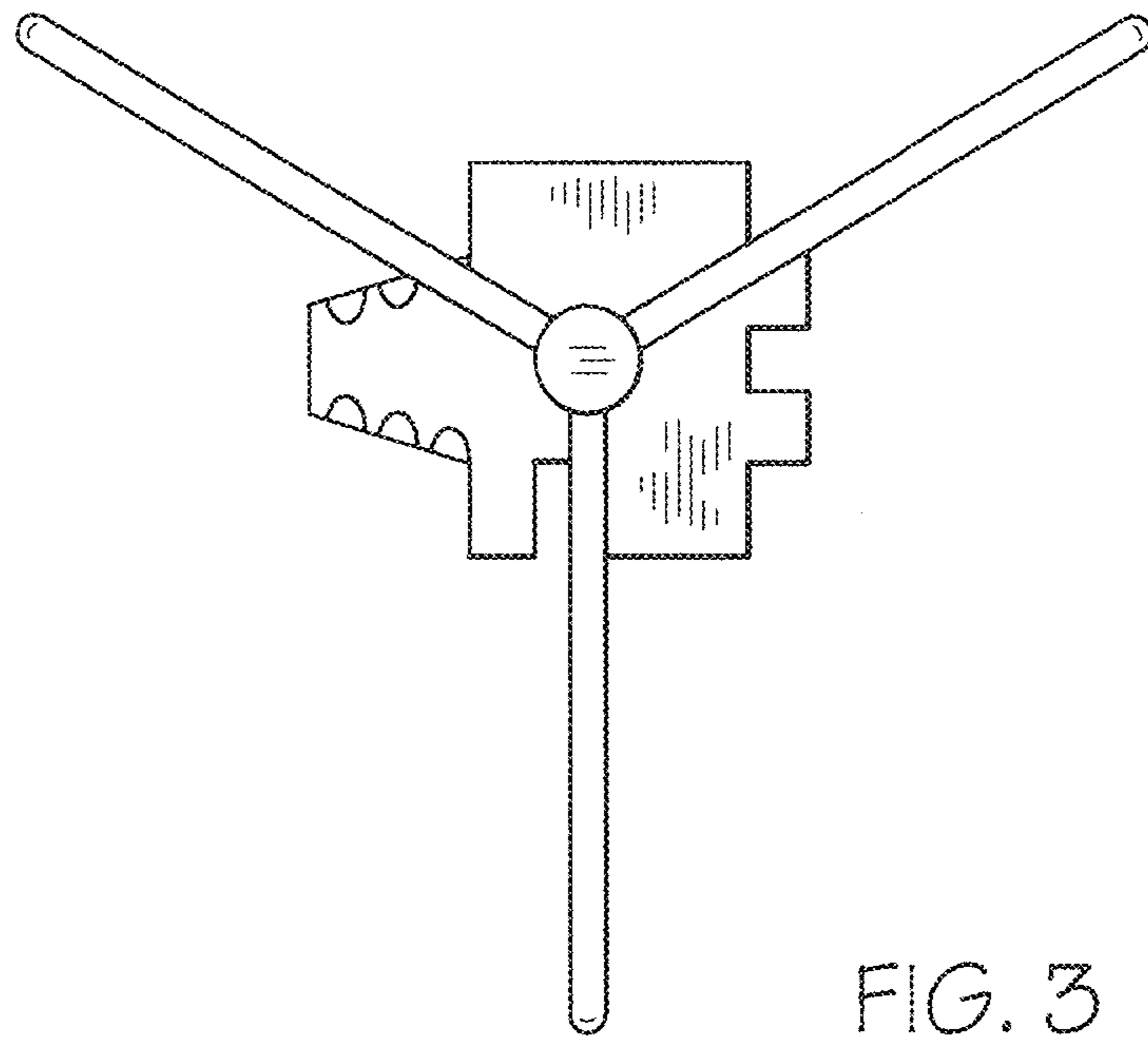
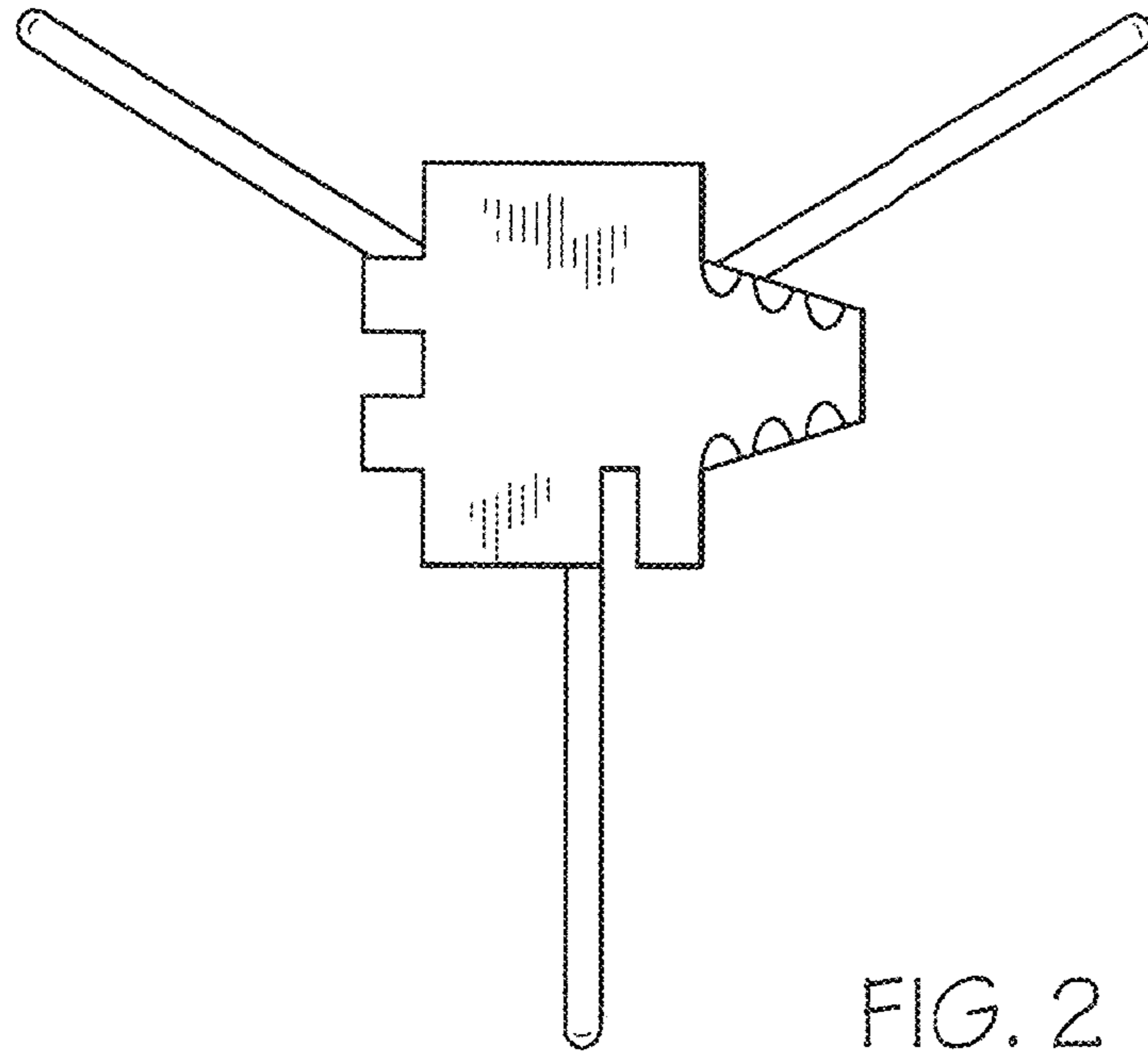


FIG. 1



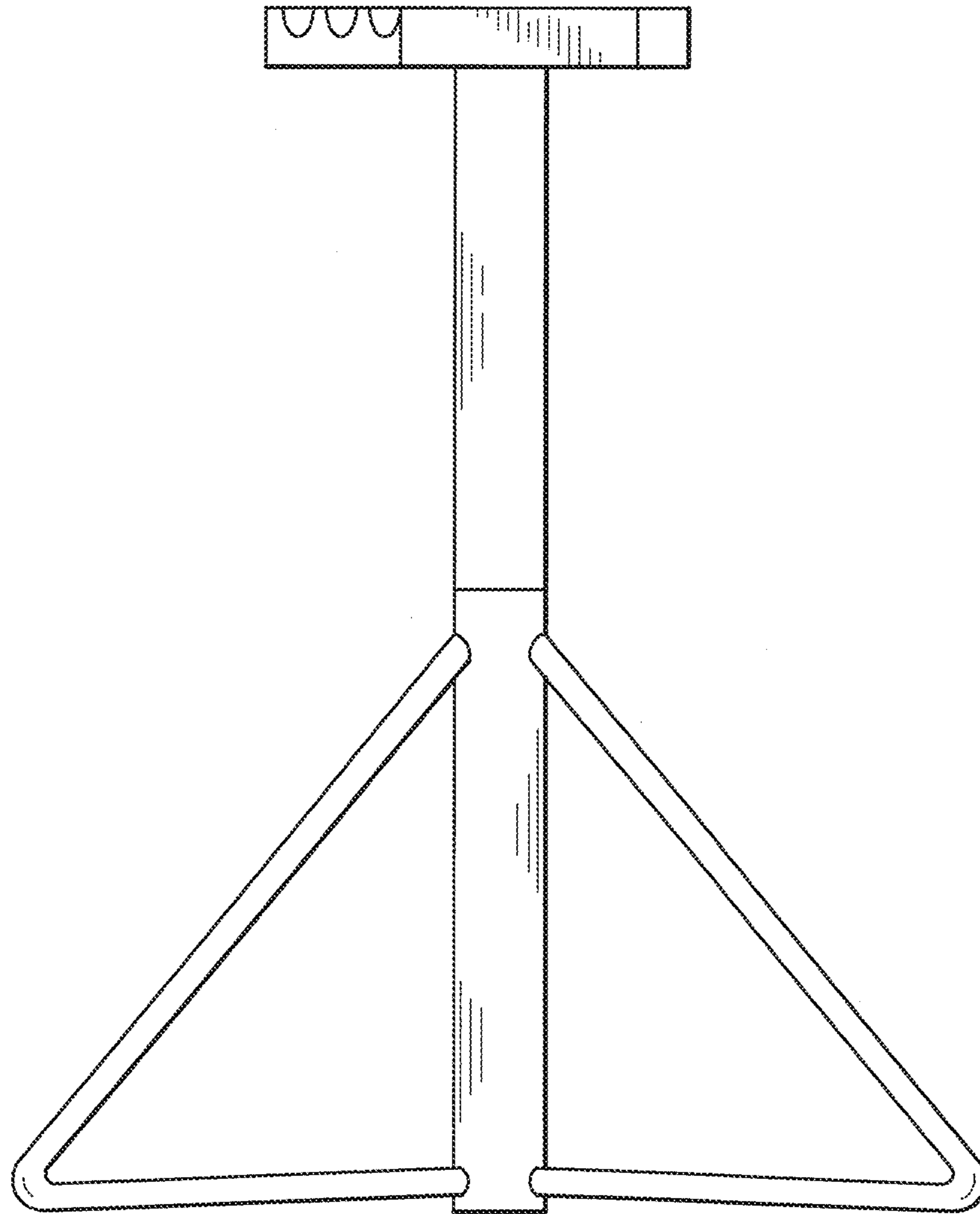


FIG. 4

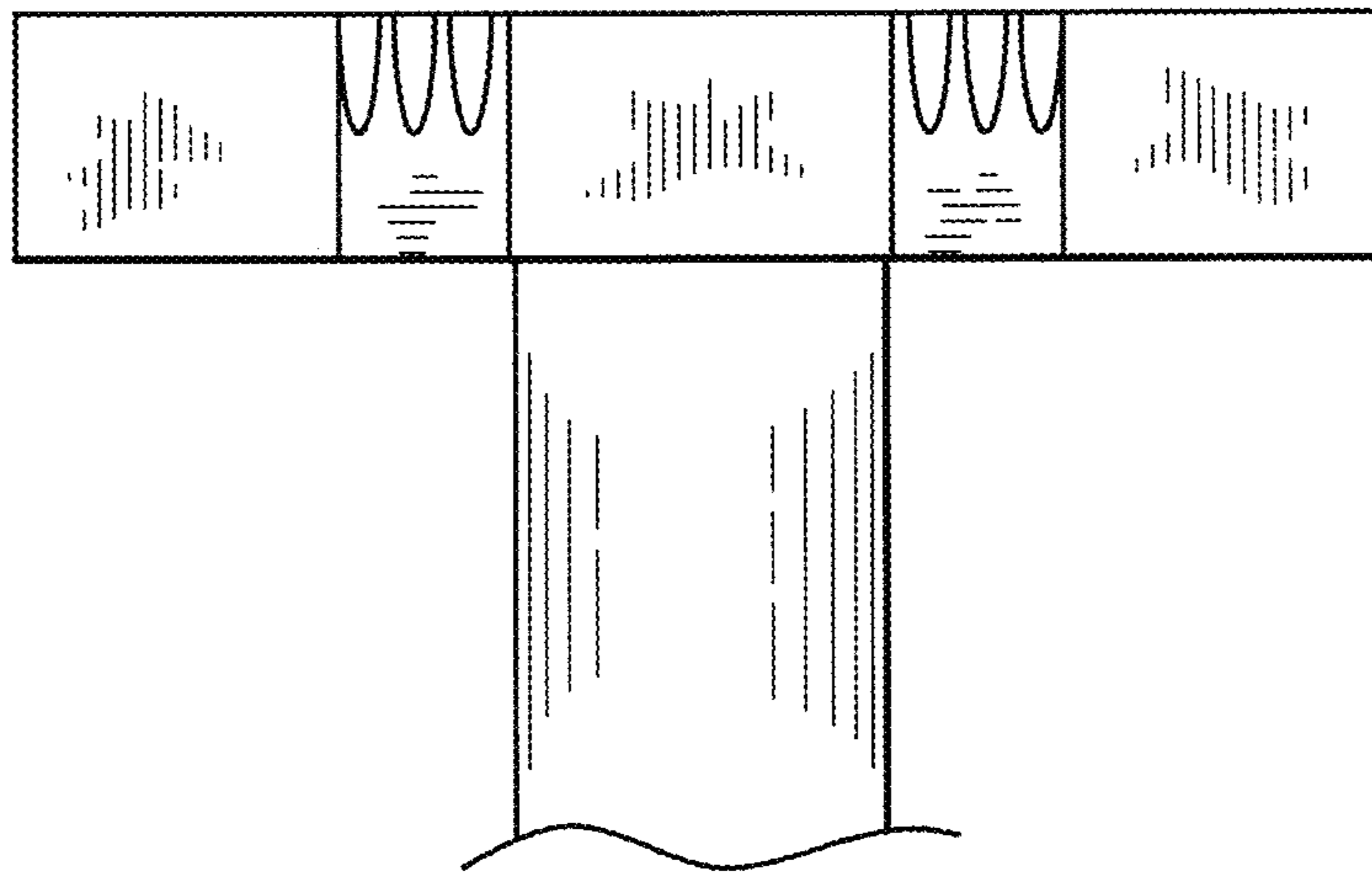


FIG. 5