



US00D876024S

(12) **United States Design Patent**  
**McGuckin**

(10) **Patent No.:** **US D876,024 S**

(45) **Date of Patent:** **\*\* Feb. 18, 2020**

(54) **BROWBAND**

(71) Applicant: **K.Y.M. Designs LLC**, Solebury, PA  
(US)

(72) Inventor: **Kim Youngs McGuckin**, Solebury, PA  
(US)

(73) Assignee: **K.Y.M. Designs LLC**, Solebury, PA  
(US)

(\*\*) Term: **15 Years**

(21) Appl. No.: **29/589,394**

(22) Filed: **Dec. 30, 2016**

(51) **LOC (12) Cl.** ..... **30-04**

(52) **U.S. Cl.**  
USPC ..... **D30/136**

(58) **Field of Classification Search**

USPC ..... D30/134–137, 152, 153; D11/11, 12  
CPC .... B68B 1/04; B68B 1/02; B68B 1/06; B68B  
2001/042; B68B 2001/044; B68B 5/04;  
B68B 7/00; A01K 27/002; A01K 27/003;  
A44C 5/00; A44C 11/002; A44C 23/00;  
A44C 5/12; A44C 5/142; A44C 15/00;  
A44C 17/02; A44C 1/00; A44C 21/00;  
A44C 25/007; A44C 27/00; A44C 5/0007  
See application file for complete search history.

(56) **References Cited**

U.S. PATENT DOCUMENTS

220,162 A \* 9/1879 Manning ..... B68B 1/04  
54/12  
337,732 A \* 3/1886 Beebee ..... B68B 1/04  
54/12  
D18,480 S \* 7/1888 Livingston ..... D30/136  
405,307 A \* 6/1889 Flues  
526,706 A \* 10/1894 Hartwig ..... B68B 1/04  
54/12  
807,425 A \* 12/1905 Fisher ..... B68B 1/04  
54/12

807,426 A 12/1905 Fisher  
2,378,755 A 6/1945 Dowling  
3,765,376 A \* 10/1973 Higgins ..... A01K 27/006  
119/654  
D315,116 S \* 3/1991 Akkelian ..... D11/11  
5,079,904 A 1/1992 Berube  
5,713,218 A 2/1998 McCabe  
5,865,148 A 2/1999 Aguirre et al.  
6,553,747 B1 4/2003 Texel  
6,662,536 B2 12/2003 Belton et al.  
6,691,497 B1 2/2004 Rodgers  
(Continued)

Primary Examiner — Jennifer L Watkins

(74) Attorney, Agent, or Firm — RMCK Law Group PLC

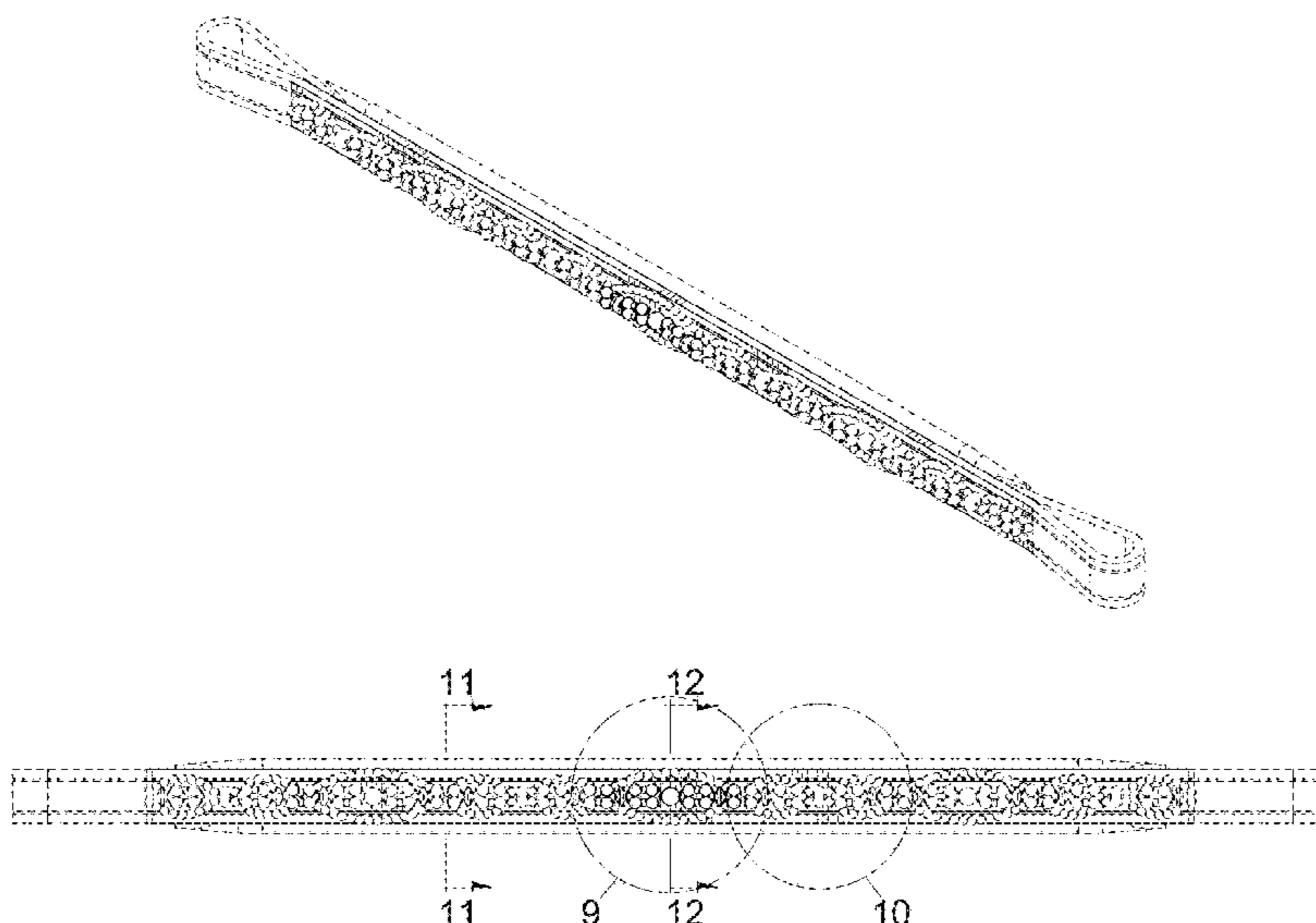
(57) **CLAIM**

The ornamental design for a browband, as shown and described.

**DESCRIPTION**

FIG. 1 is a top perspective view of a browband in accordance with the present teachings.  
FIG. 2 is a front view of the browband of FIG. 1.  
FIG. 3 is a top view of the browband of FIG. 1.  
FIG. 4 is a bottom view of the browband of FIG. 1.  
FIG. 5 is a rear view of the browband of FIG. 1.  
FIG. 6 is a right side view of the browband of FIG. 1.  
FIG. 7 is a left side view of the browband of FIG. 1.  
FIG. 8 is a bottom perspective view of the browband of FIG. 1.  
FIG. 9 is an enlarged view of the browband of FIG. 2.  
FIG. 10 is an enlarged view of the browband of FIG. 2.  
FIG. 11 is an enlarged cross-sectional view of the browband of FIG. 2; and,  
FIG. 12 is an enlarged cross-sectional view of the browband of FIG. 2.  
The broken lines in the figures are for the purpose of depicting portions of a browband and form no part of the claim.

**1 Claim, 6 Drawing Sheets**



(56)

**References Cited**

U.S. PATENT DOCUMENTS

6,748,903	B1	6/2004	Price et al.	
D605,368	S *	12/2009	Field .....	D30/136
D657,281	S *	4/2012	Psaute .....	D11/11
2004/0168413	A1	9/2004	Rodgers	
2006/0107625	A1	5/2006	Owens	

\* cited by examiner

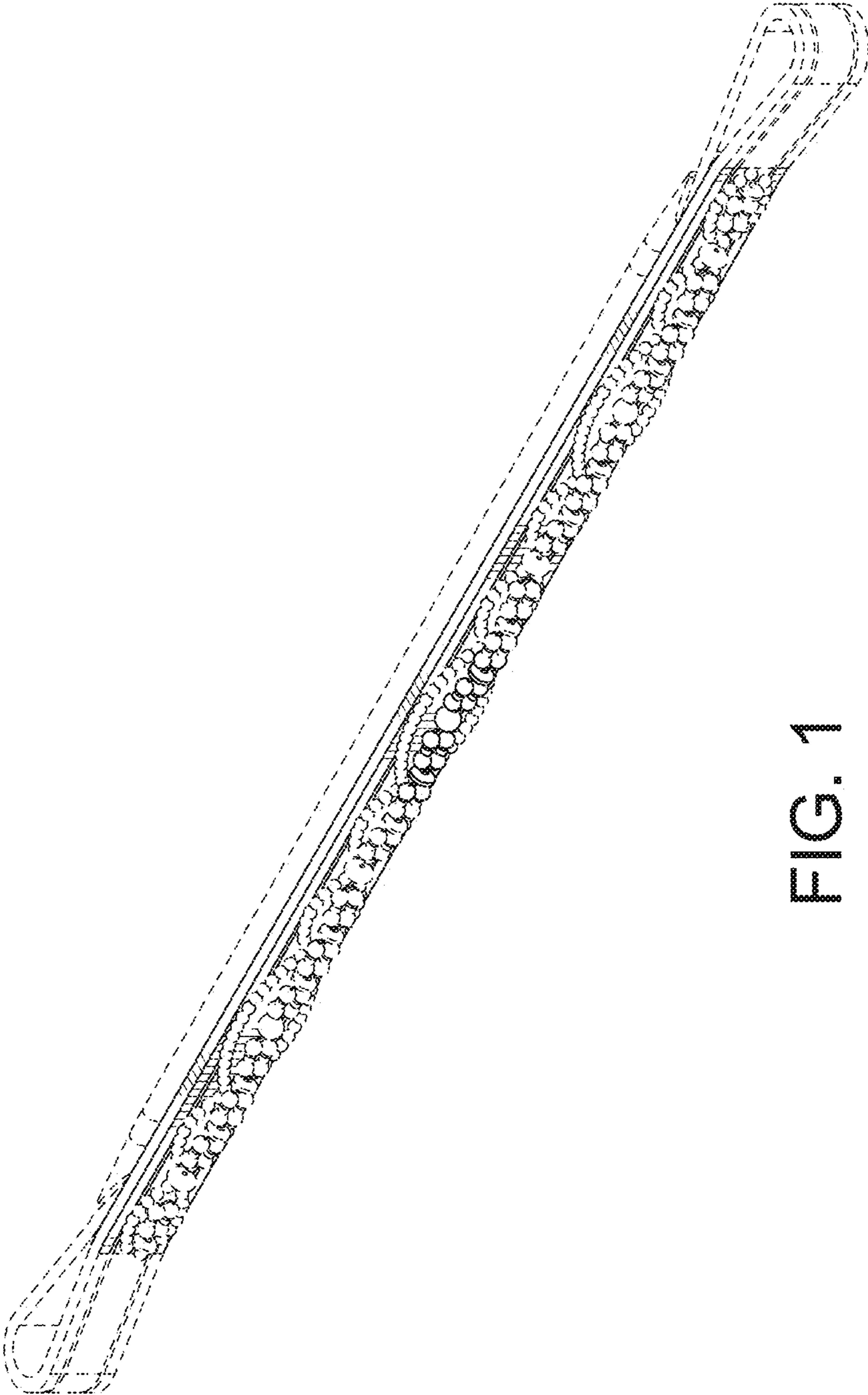


FIG. 1

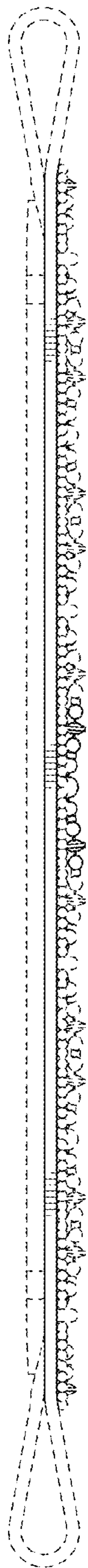


FIG. 3

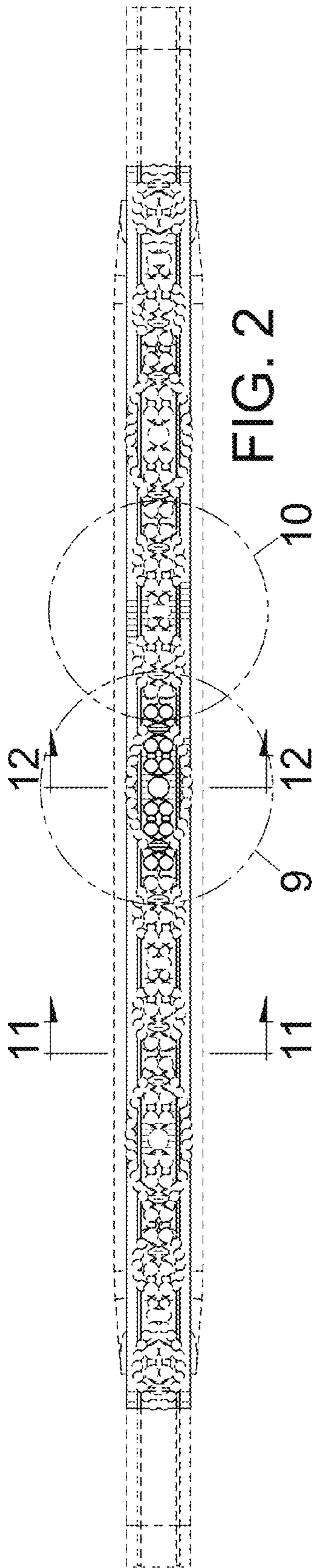


FIG. 2

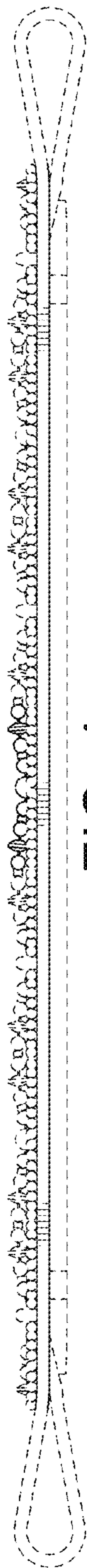


FIG. 4

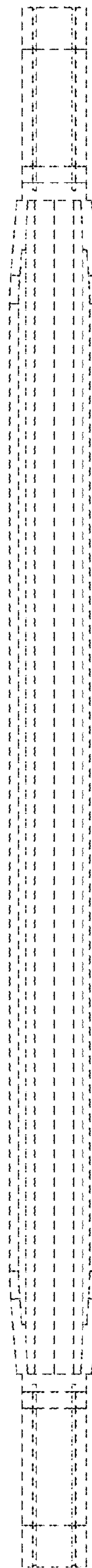


FIG. 5



FIG. 6



FIG. 7

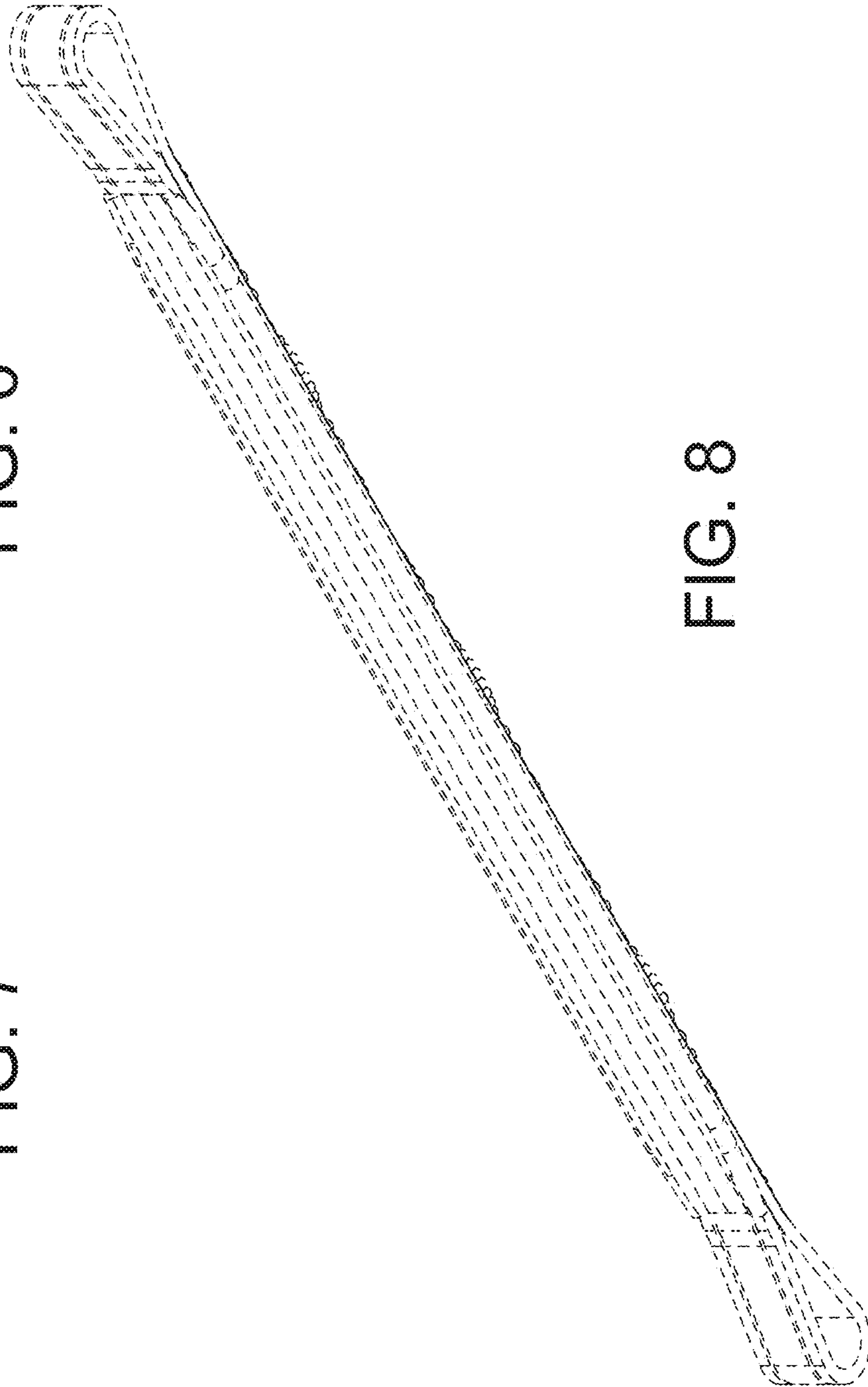


FIG. 8

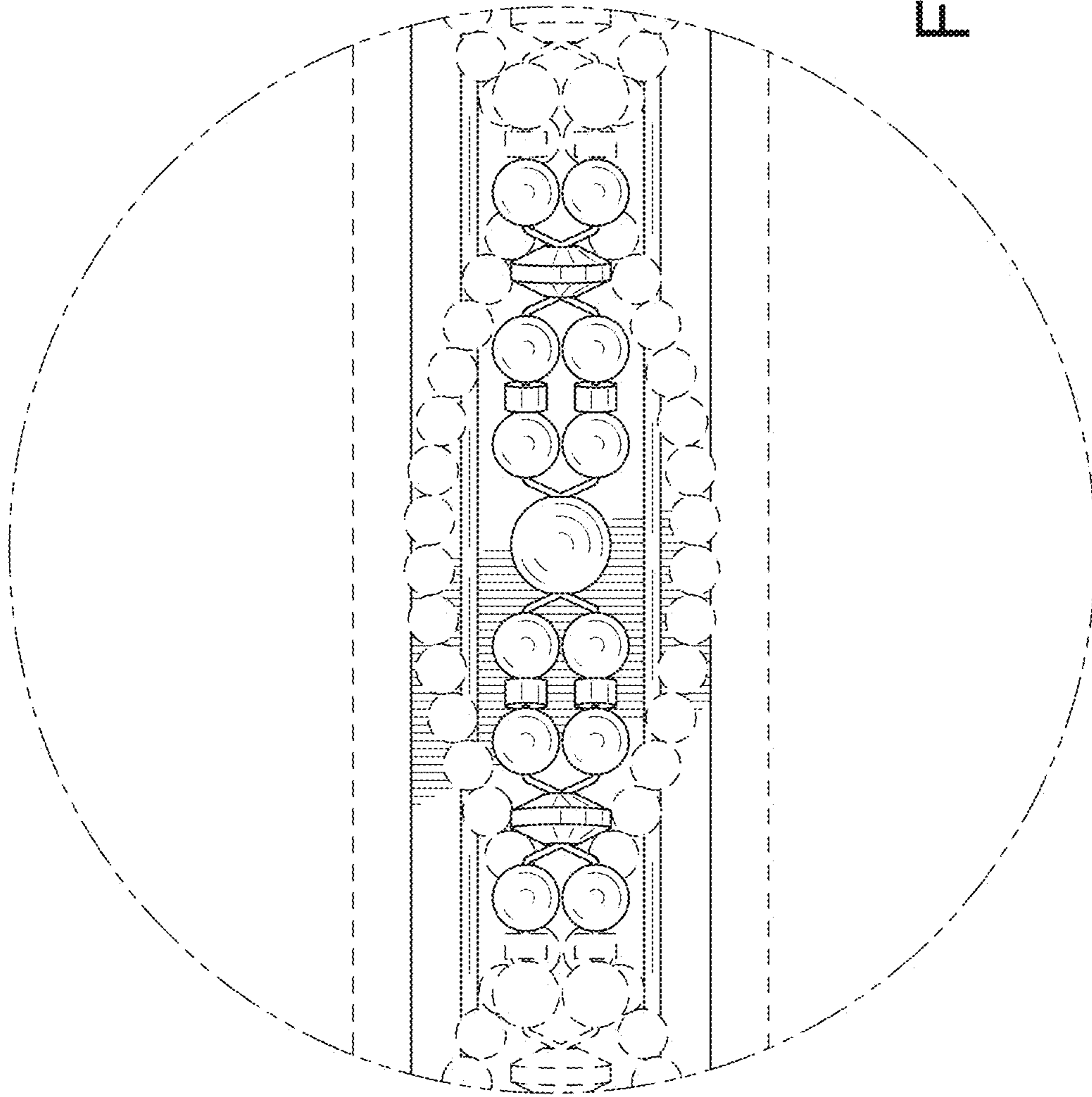


FIG. 9

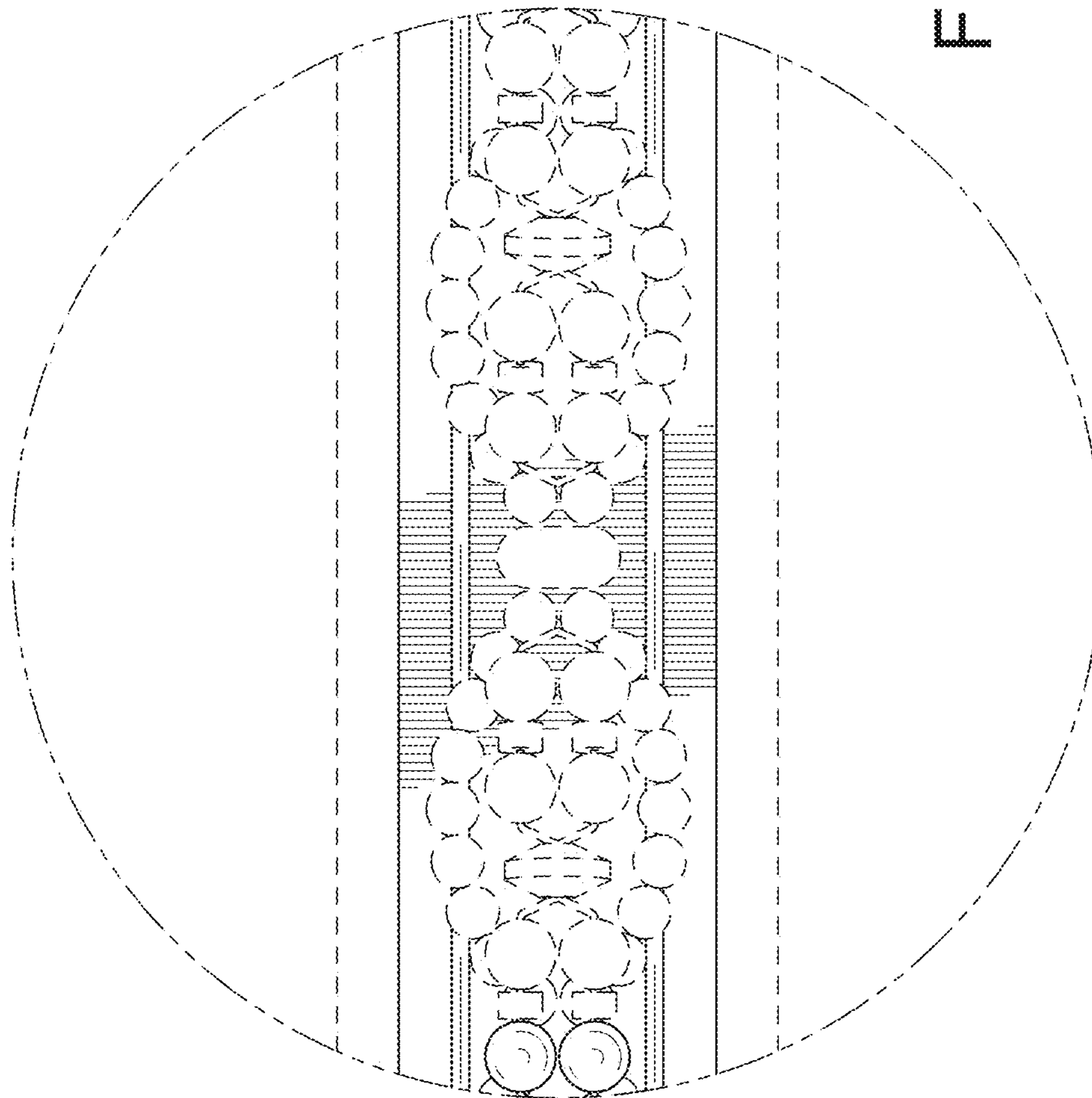


FIG. 10

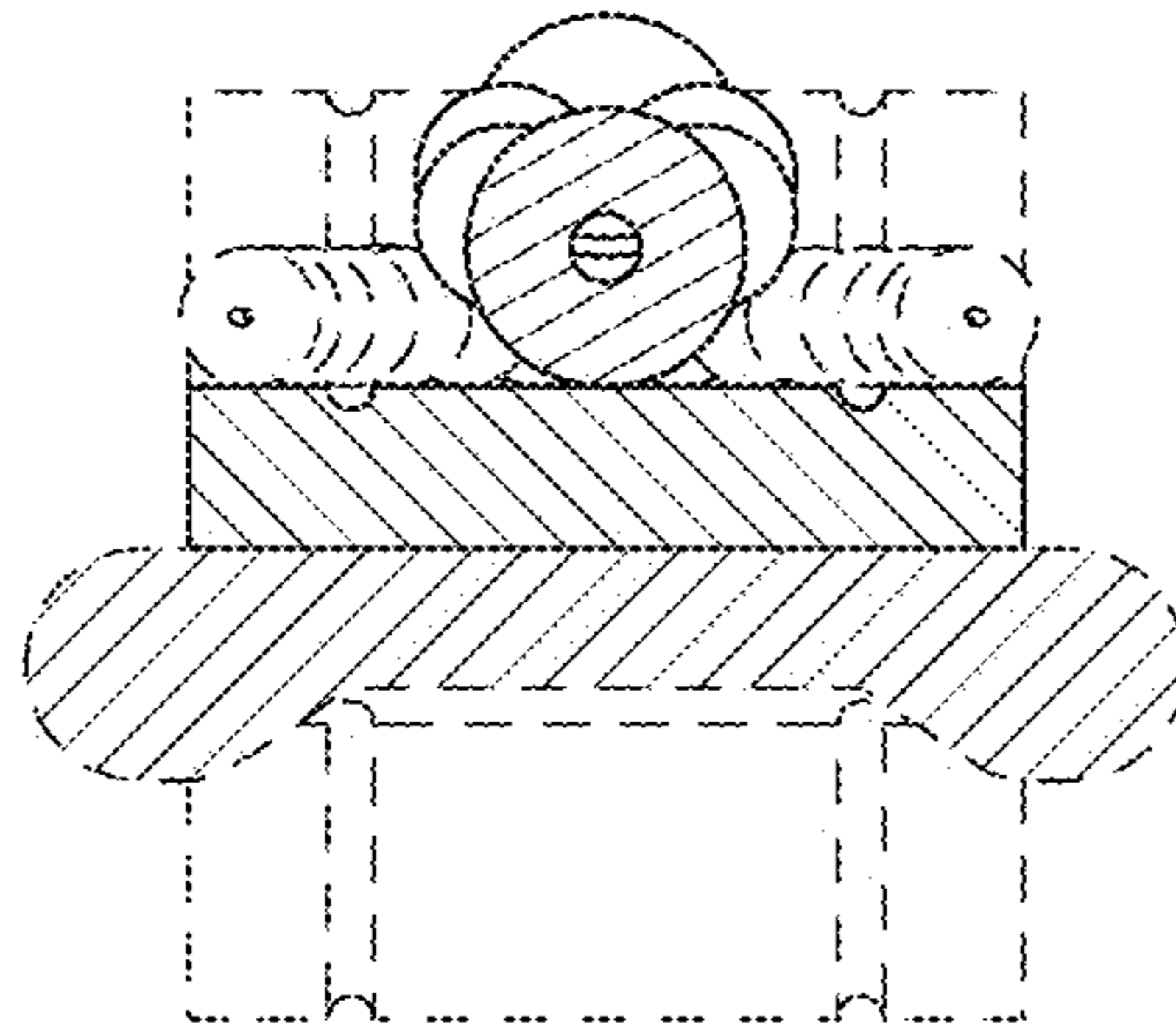


FIG. 12

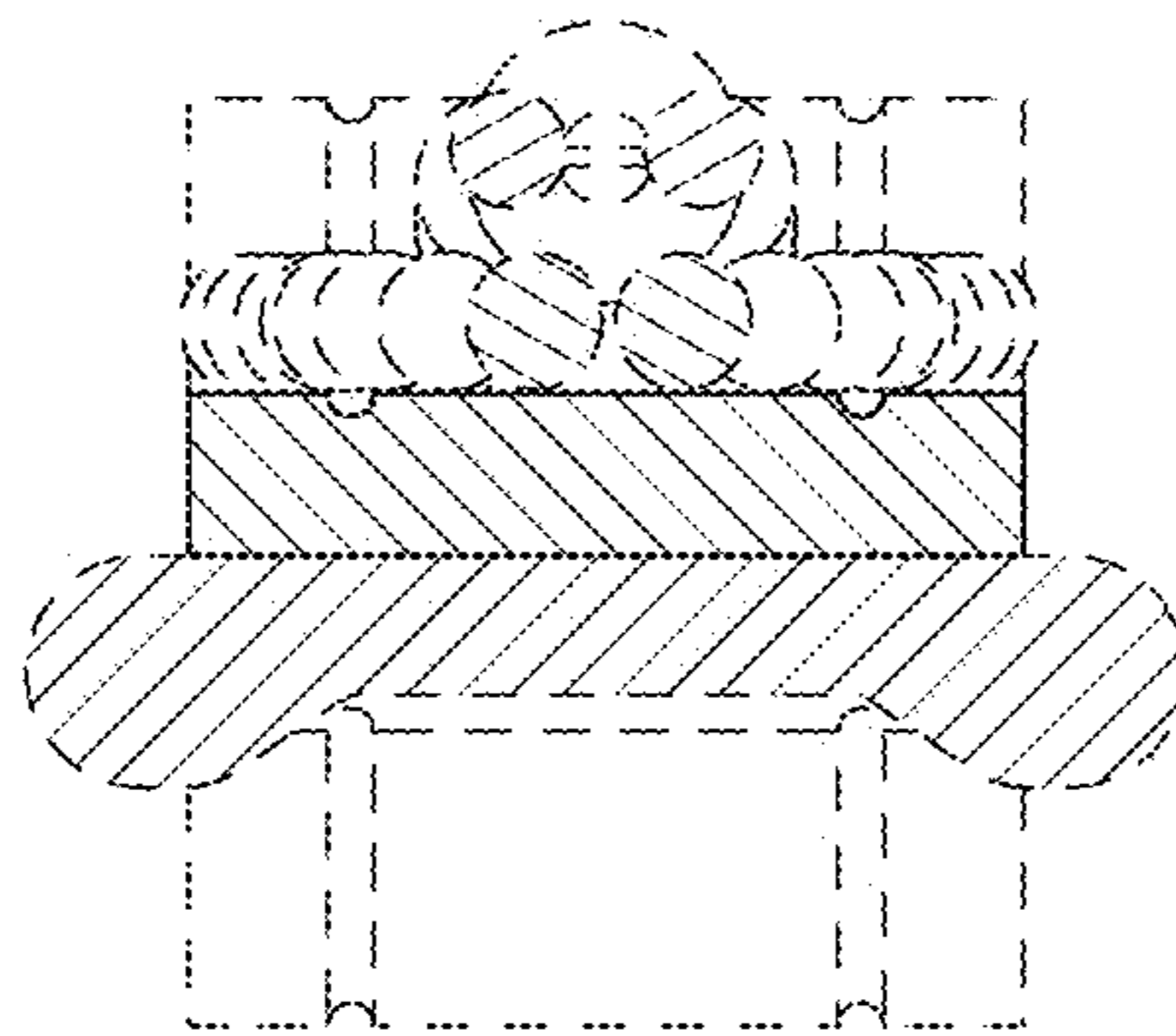


FIG. 11