



US00D876023S

(12) **United States Design Patent** (10) **Patent No.:** **US D876,023 S**
Eom (45) **Date of Patent:** **** Feb. 18, 2020**

(54) **AUTOMATIC PET FEEDER**

(71) Applicant: **SaltNLight Inc.**, Daejeon (KR)

(72) Inventor: **Bo Yun Eom**, Daejeon (KR)

(73) Assignee: **SaltNLight Inc.**, Daejeon (KR)

(**) Term: **15 Years**

(21) Appl. No.: **29/674,854**

(22) Filed: **Dec. 26, 2018**

(30) **Foreign Application Priority Data**

Jun. 28, 2018 (KR) 30-2018-0029860

(51) **LOC (12) Cl.** **30-07**

(52) **U.S. Cl.**
USPC **D30/122**

(58) **Field of Classification Search**

USPC D30/121, 122, 129-133; 119/61.5, 51.01, 119/61.56, 51.03, 59, 62, 63, 51.5, 57.8, 119/74, 61.54, 61.55, 53, 53.5, 75, 56.2, 119/51.02, 51.11, 51.12, 57.1, 52.1, 515; 312/204; 248/151, 188; 108/156, 108/153.1-157; 220/23.87, 630, 737, 220/743, 9.4, 495.01, 574, 212, 255, 220/23.83; 206/515; D7/586, 543, D7/550.1, 587, 505, 584, 545, 500, D7/553.1-553.8, 546, 555, 556, 504, 565, D7/562, 602, 605, 312, 313, 320, 307, D7/306, 309, 354, 311, 399, 397, 323, D7/332, 331, 347, 346, 322, 318, 317, D7/316, 619.1; D9/429; 43/109; D22/122; 99/430, DIG. 15, 280, 285, 99/312; 222/209, 131, 363, 349, 517, 222/153.13, 401, 1, 146.5, 23, 54, 64, 51, 222/156, 399, 400.8; 219/438, 439, 441, 219/385, 386, 402, 407; 210/94, 184, 210/474, 477; D34/7-10, 1; D14/300, D14/301, 302, 308, 314, 356-359, 363,

D14/370, 420, 421, 439, 172, 188, 203.1, D14/204, 214, 221, 242, 299, 168, 197, D14/205, 210; D15/122, 135, 82; D18/50; D28/38
CPC A01K 5/02; A01K 5/0225; A01K 5/0114; A01K 5/025; A01K 5/0266; A01K 5/0275; A01K 5/0283; A01K 5/0291; A01K 5/0258; A01K 7/00; G01F 11/24; G01F 23/02; B67D 1/0425; B67D 1/04; B67D 1/00; B67D 1/02; B67D 1/0871; B67D 1/0802; A47J 41/0033; A47J 41/005; A47J 41/0088;
(Continued)

(56) **References Cited**

U.S. PATENT DOCUMENTS

4,721,063 A * 1/1988 Atchley A01K 5/0114
119/52.1
D348,336 S * 6/1994 Woo D30/122
(Continued)

Primary Examiner — Susan Moon Lee

(74) *Attorney, Agent, or Firm* — Revolution IP, PLLC

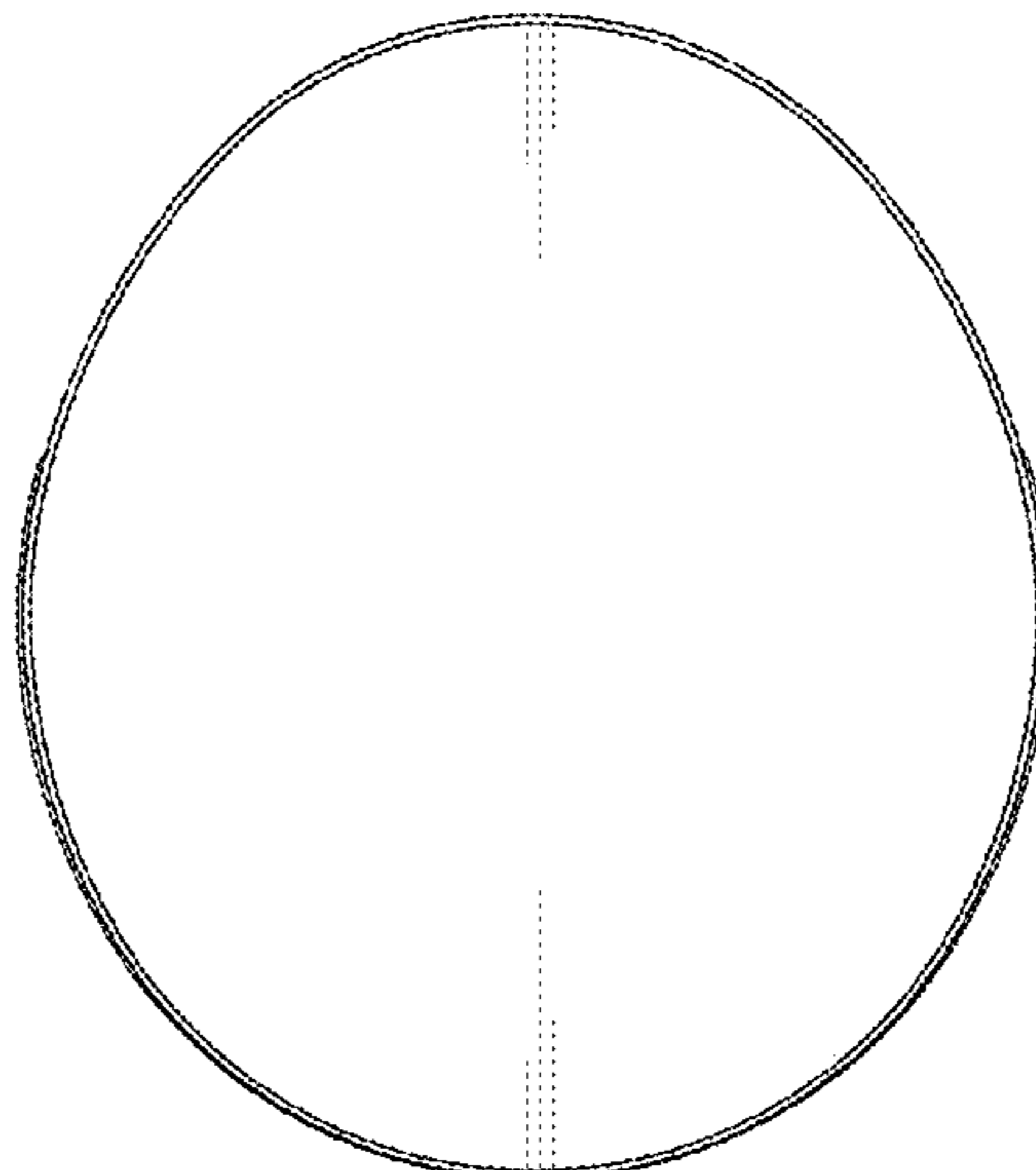
(57) **CLAIM**

The ornamental design for an automatic pet feeder, as shown and described.

DESCRIPTION

FIG. 1 is a front perspective view of an automatic pet feeder showing my new design;
FIG. 2 is a front view thereof;
FIG. 3 is a rear view thereof;
FIG. 4 is a left side view thereof;
FIG. 5 is a right side view thereof;
FIG. 6 is a top view thereof;
FIG. 7 is a bottom view thereof;
FIG. 8 is a bottom perspective view thereof; and,
FIG. 9 is a reference view showing use state thereof.

(Continued)



The broken lines are for illustrative purposes only and form no part of the claimed design.

1 Claim, 9 Drawing Sheets

(58) Field of Classification Search

CPC A47J 41/0094; A47J 31/04; A47J 31/053;
 B05B 11/00; B05B 11/0002; B05B
 11/0005; B05B 11/001; C02F 1/003;
 C02F 1/283; C02F 2307/02

See application file for complete search history.

(56) References Cited

U.S. PATENT DOCUMENTS

D351,261 S * 10/1994 Woo D30/122
 5,353,739 A * 10/1994 Chu A01K 5/0233
 119/51.03

5,404,838 A * 4/1995 Khan A01K 5/0114
 119/51.5
 D405,560 S * 2/1999 Chrisco D30/121
 D432,279 S * 10/2000 Kim D30/121
 D581,197 S * 11/2008 Kassenaar D7/306
 D702,983 S * 4/2014 Clark D7/306
 D731,124 S * 6/2015 Shin D30/122
 D739,614 S * 9/2015 Ausman D30/121
 D816,394 S * 5/2018 Yeung D7/378
 D822,292 S * 7/2018 Hua D30/122
 D840,115 S * 2/2019 Nieves D30/122
 D843,665 S * 3/2019 Zeng D30/122
 2002/0134313 A1 * 9/2002 Andrew King A01K 5/025
 119/51.02
 2005/0217591 A1 * 10/2005 Turner A01K 5/0114
 119/51.02
 2010/0139570 A1 * 6/2010 Pflugsten A01K 5/0142
 119/63
 2010/0307424 A1 * 12/2010 Evans A01K 1/0107
 119/416
 2017/0238503 A1 * 8/2017 Deritis A01K 5/0275

* cited by examiner

FIG. 1

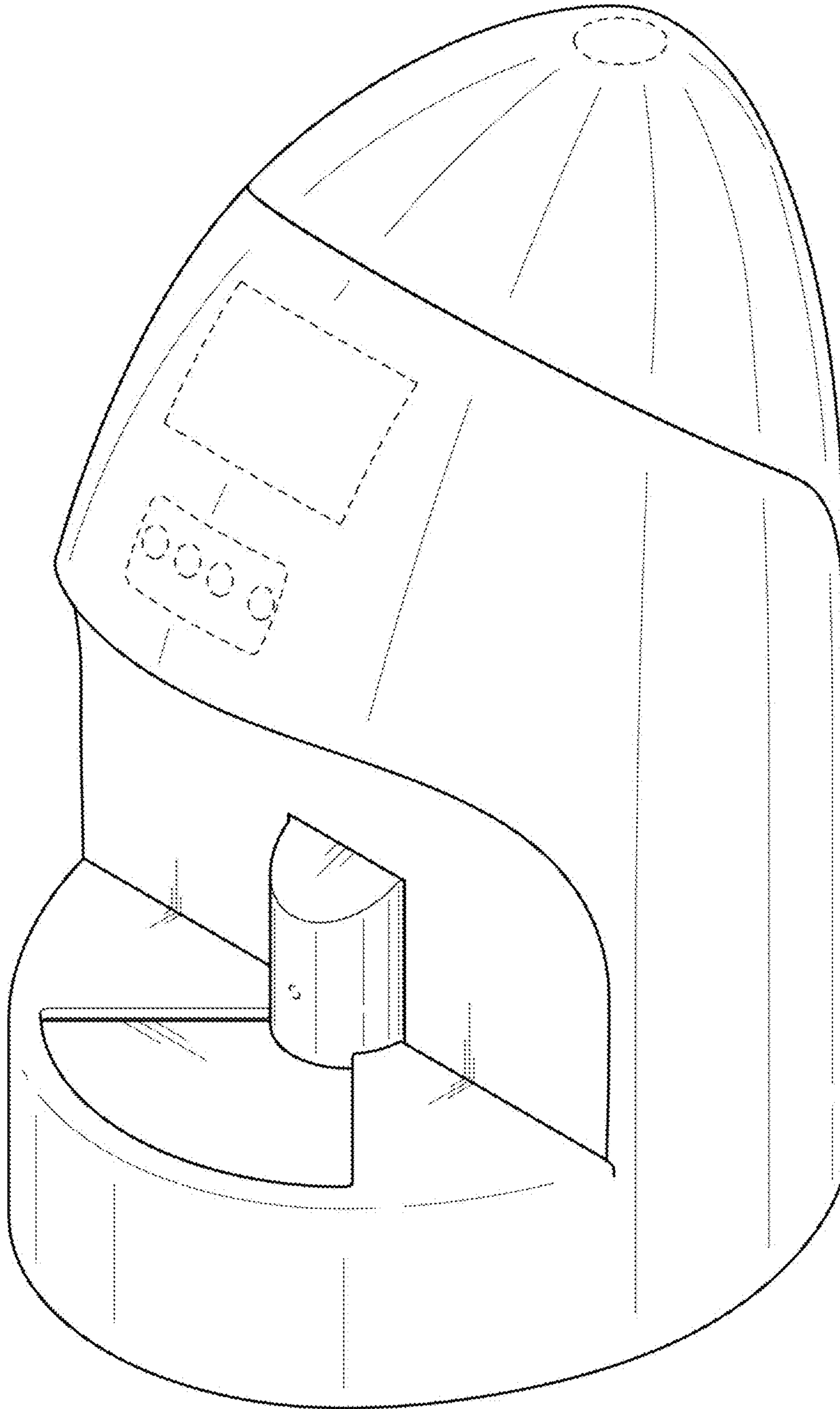


FIG. 2

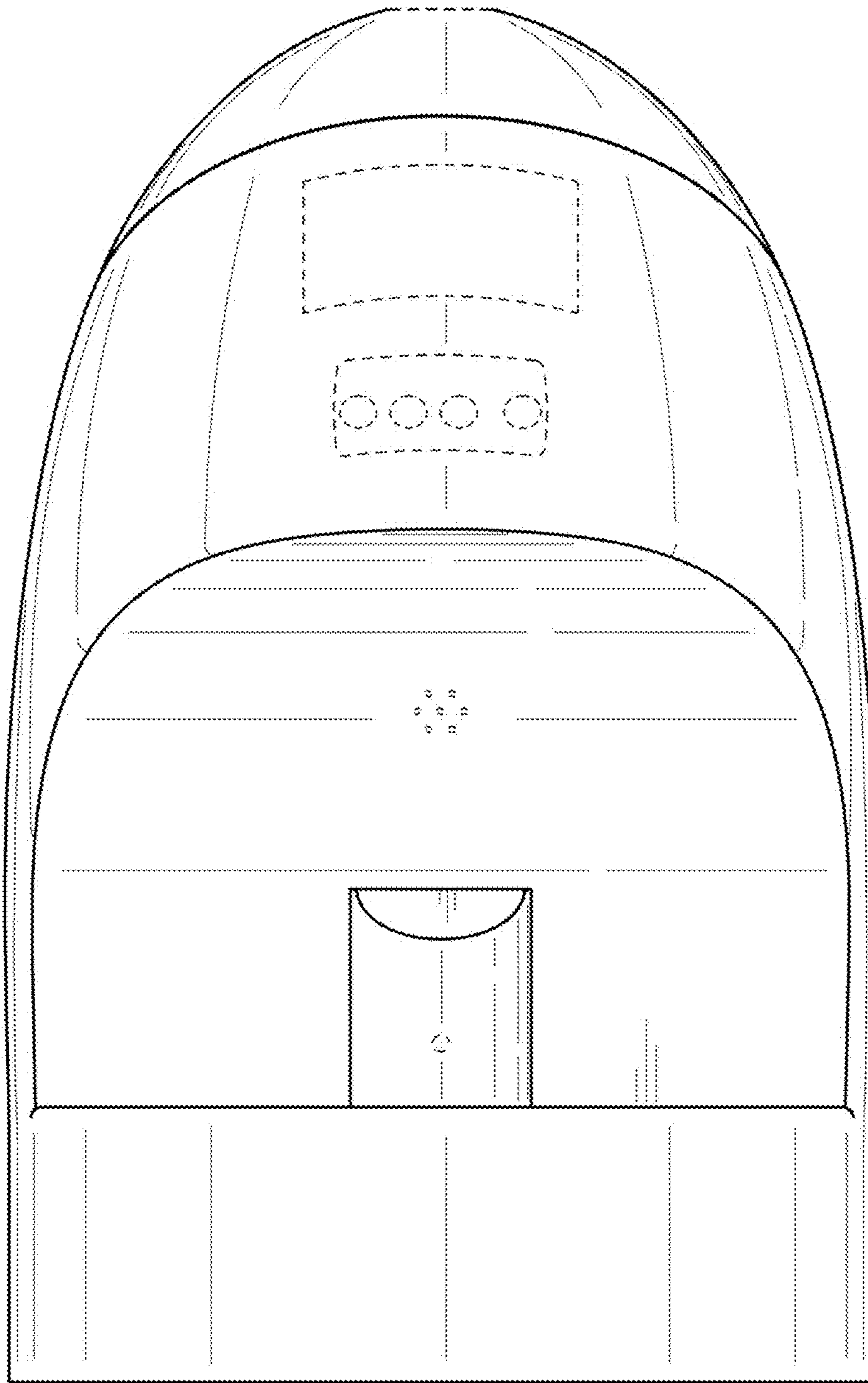


FIG. 3

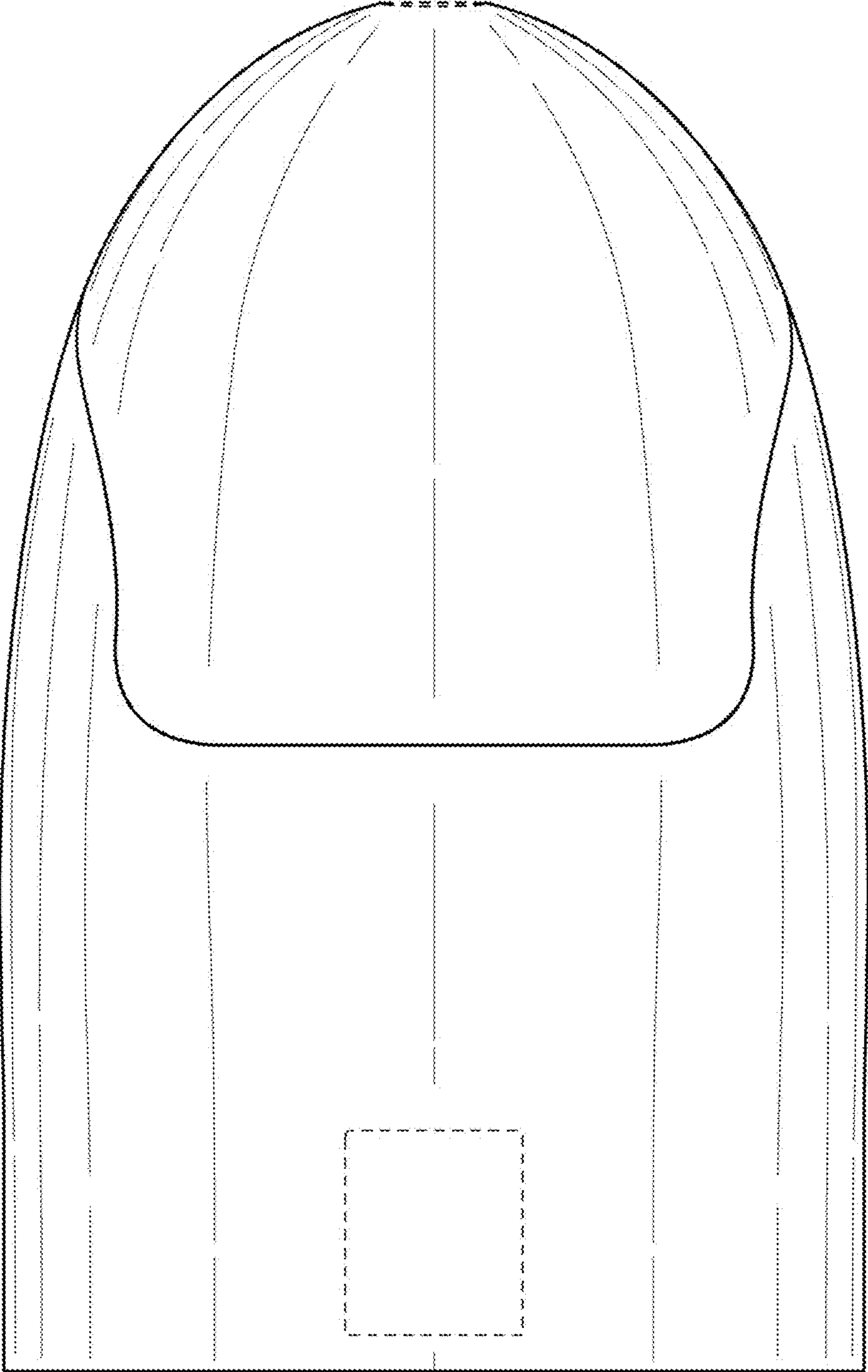


FIG. 4

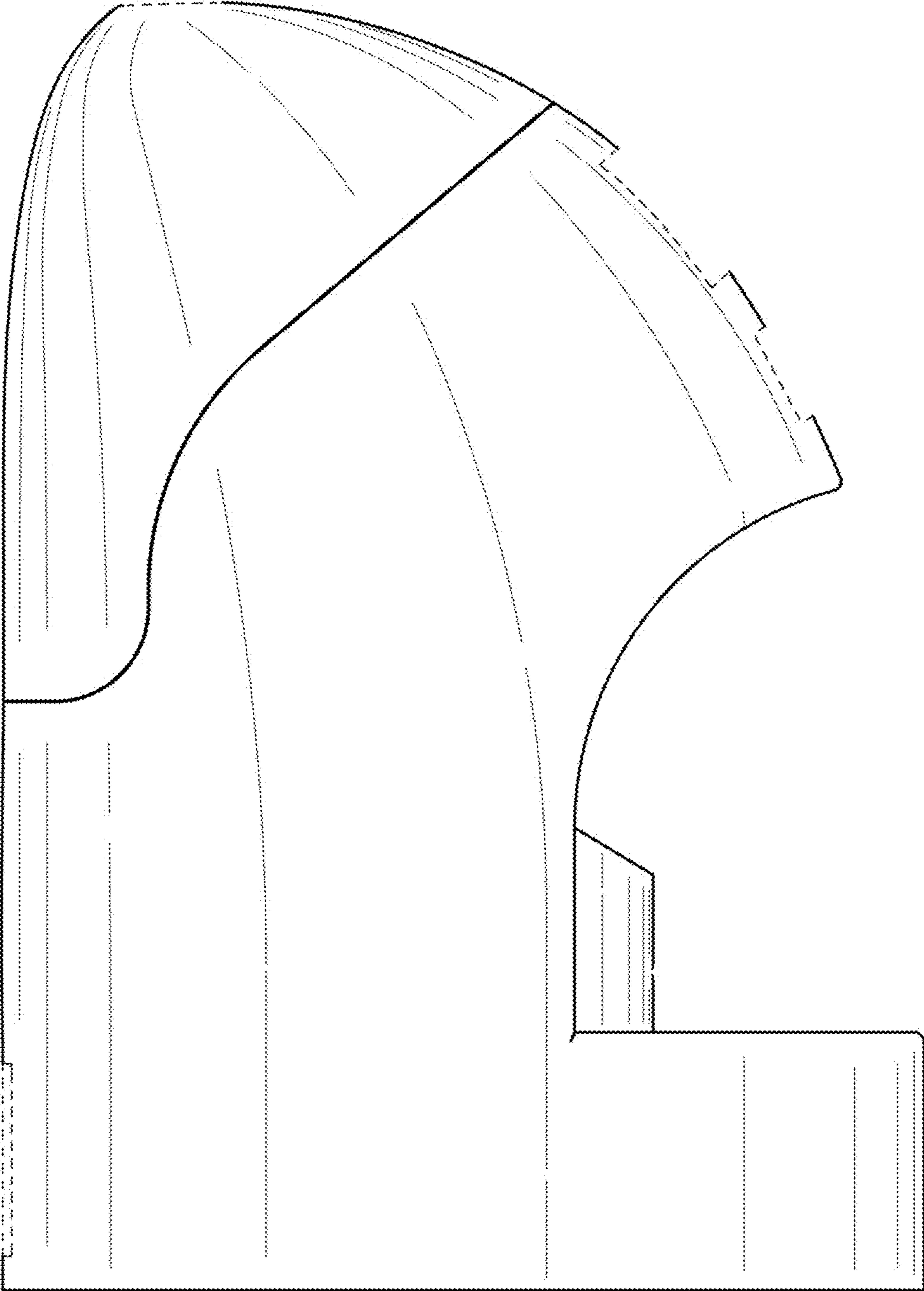


FIG. 5

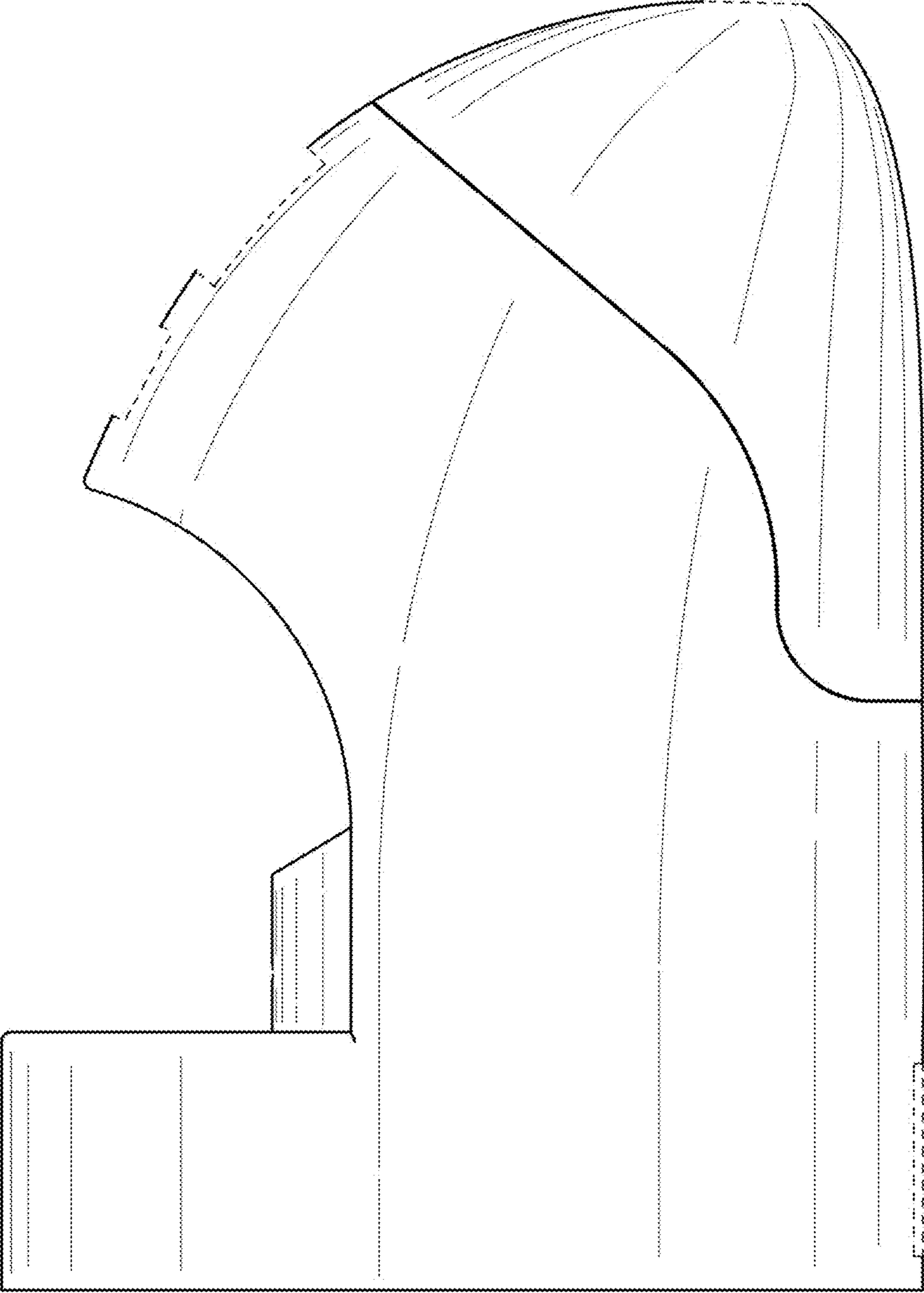


FIG. 6

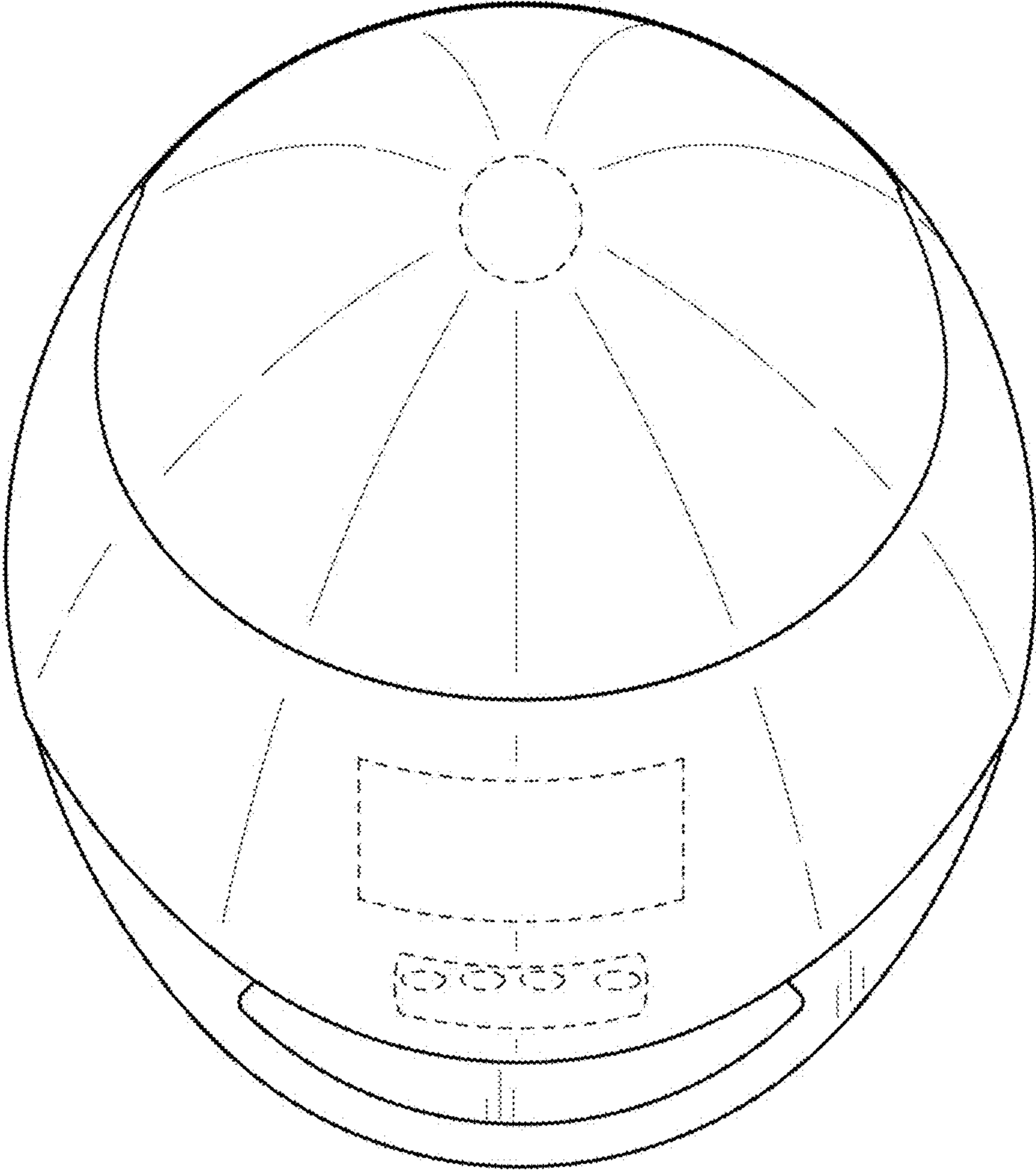


FIG. 7

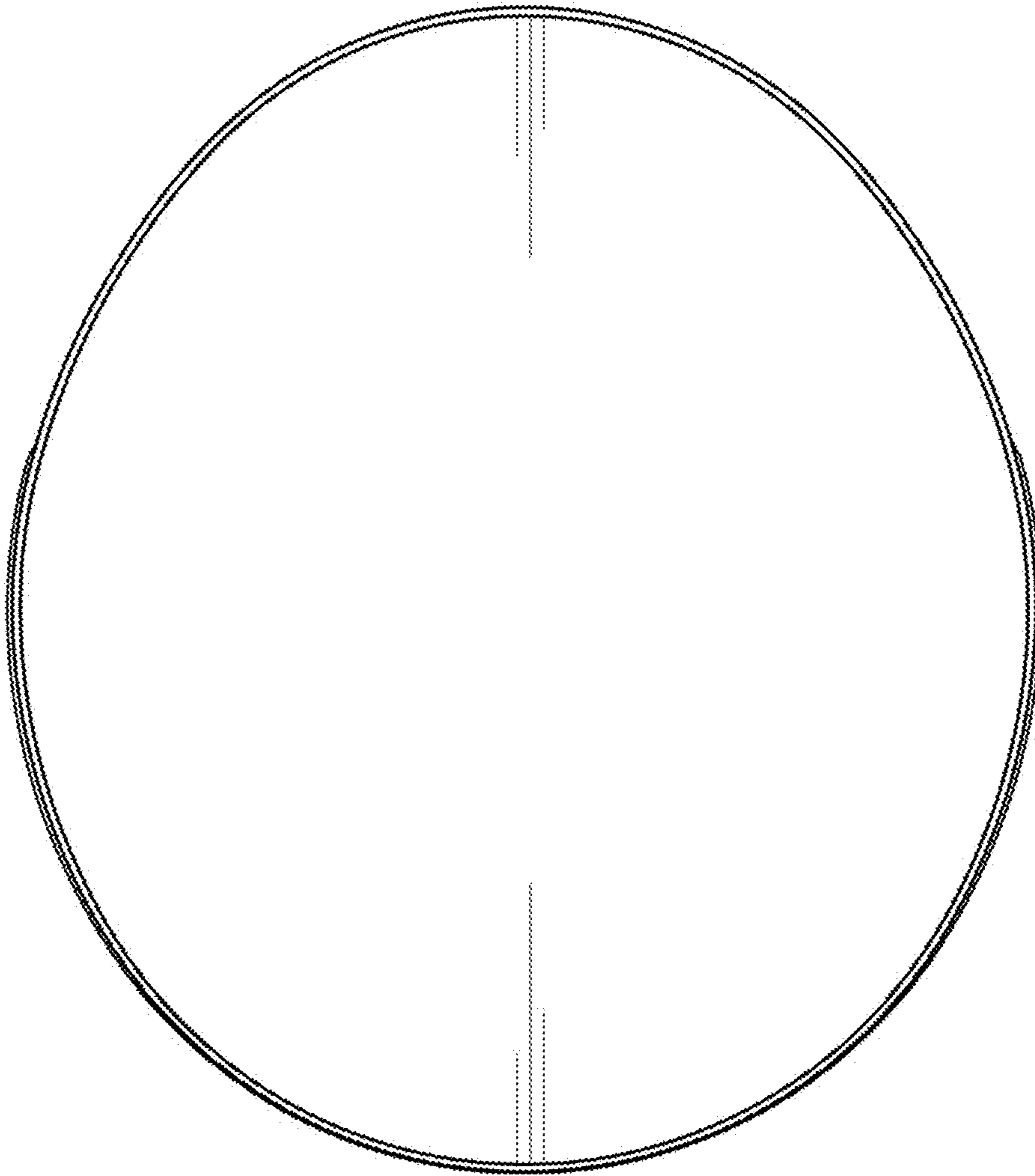


FIG. 8

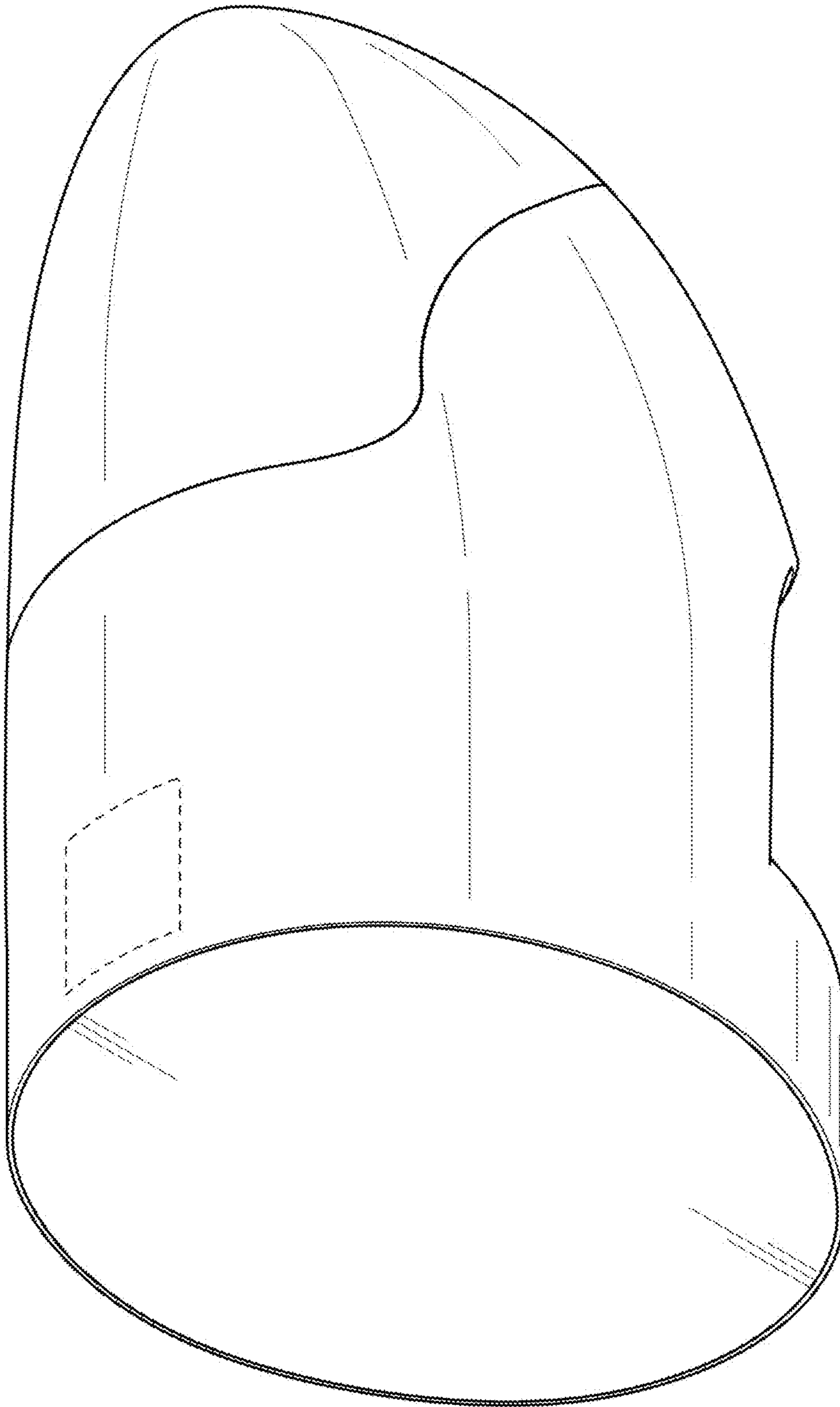


FIG. 9

