



US00D876022S

(12) **United States Design Patent**
Hua et al.

(10) **Patent No.:** **US D876,022 S**
(45) **Date of Patent:** **** Feb. 18, 2020**

(54) **ANIMAL FEEDER**

(71) Applicant: **CIXI HUAZHJIE PLASTIC
PRODUCT CO., LTD.,** Zhejiang (CN)

(72) Inventors: **Jie Hua,** Zhejiang (CN); **Shimin Hua,**
Zhejiang (CN)

(73) Assignee: **CIXI HUAZHJIE PLASTIC
PRODUCT CO., LTD.,** Zhejiang (CN)

(**) Term: **15 Years**

(21) Appl. No.: **29/646,644**

(22) Filed: **May 7, 2018**

(30) **Foreign Application Priority Data**

Mar. 16, 2018 (CN) 2018 3 0098379

(51) **LOC (12) Cl.** **30-07**

(52) **U.S. Cl.**
USPC **D30/122**

(58) **Field of Classification Search**

USPC D30/121, 122, 129-133; 119/61.5, 51.01,
119/61.56, 51.03, 59, 62, 63, 51.5, 57.8,
119/74, 61.54, 61.55, 53, 53.5, 75, 56.2,
119/51.02, 51.11, 51.12, 57.1, 52.1, 515;
312/204; 248/151, 188; 108/156,
108/153.1-157; 220/23.87, 630, 737,
220/743, 9.4, 495.01, 574, 212, 255,
220/23.83; 206/515; D7/586, 543,
D7/550.1, 587, 505, 584, 545, 500,
D7/553.1-553.8, 546, 555, 556, 504, 565,
D7/562, 602, 605, 312, 313, 320, 307,
D7/306, 309, 354, 311, 399, 397, 323,
D7/332, 331, 347, 346, 322, 318, 317,
D7/316, 619.1; D9/429; 43/109;
D22/122; 99/430, DIG. 15, 280, 285,
99/312; 222/209, 131, 363, 349, 517,
222/153.13, 401, 1, 146.5, 23, 54, 64, 51,
222/156, 399, 400.8; 219/438, 439, 441,
219/385, 386, 402, 407; 210/94, 184,
210/474, 477

CPC A01K 5/02; A01K 5/0225; A01K 5/0114;
A01K 5/025; A01K 5/0266; A01K
5/0275; A01K 5/0283; A01K 5/0291;
A01K 5/0258; A01K 7/00; G01F 11/24;
G01F 23/02; B67D 1/0425; B67D 1/04;
B67D 1/00; B67D 1/02; B67D 1/0871;
B67D 1/0802; A47J 41/0033; A47J
41/005; A47J 41/0088; A47J 41/0094;
A47J 31/04; A47J 31/053; B05B 11/00;
B05B 11/0002; B05B

(Continued)

(56) **References Cited**

U.S. PATENT DOCUMENTS

D330,098 S * 10/1992 VanSkiver D30/121
6,681,718 B1 * 1/2004 Mcllarky A01K 5/0291
119/51.11

(Continued)

Primary Examiner — Susan Moon Lee

(74) *Attorney, Agent, or Firm* — JCIPRNET

(57) **CLAIM**

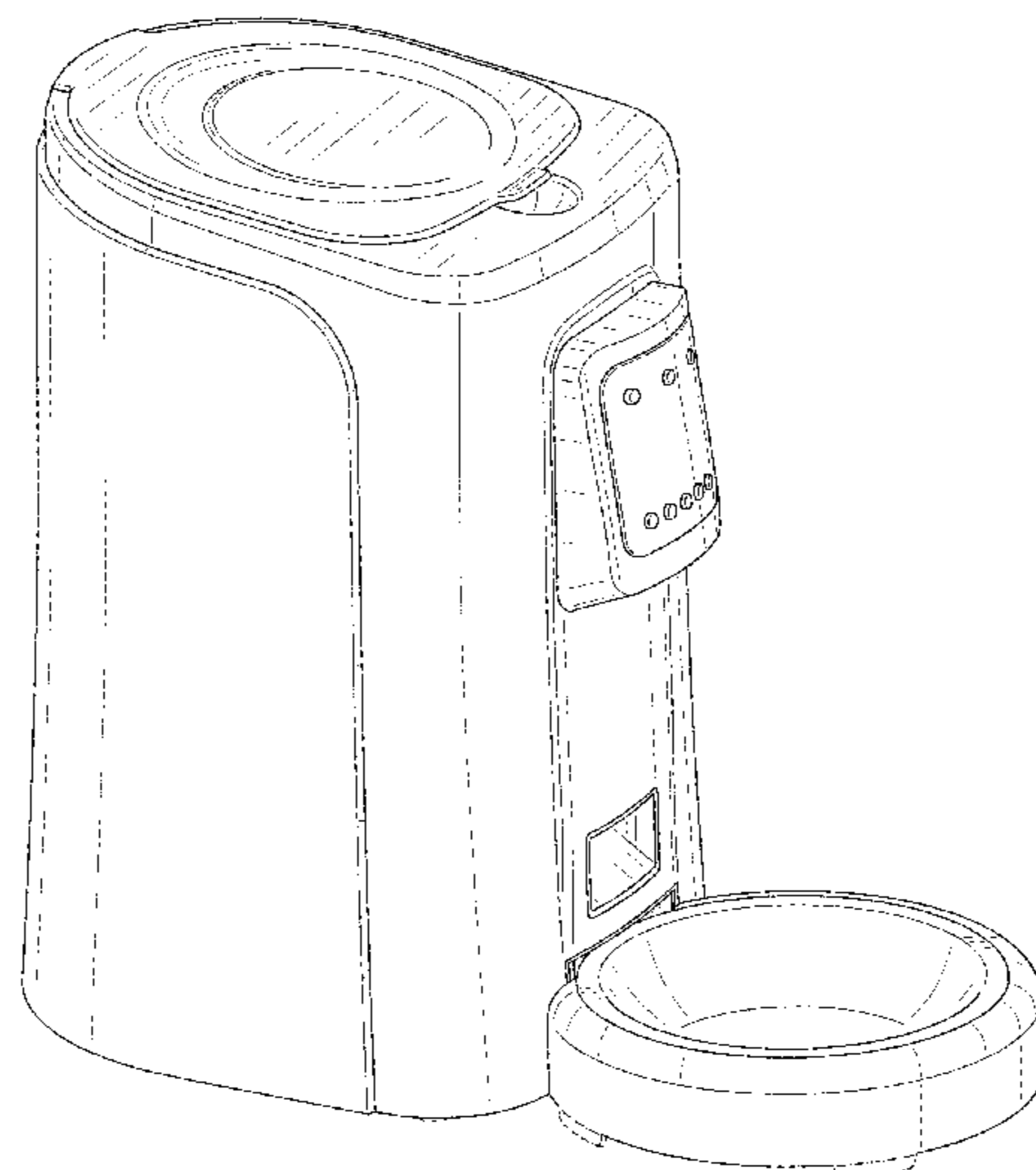
The ornamental design for an animal feeder, as shown and described.

DESCRIPTION

FIG. 1 is a perspective view of an animal feeder showing our new design;
FIG. 2 is a front view thereof;
FIG. 3 is a rear view thereof;
FIG. 4 is a left side view thereof;
FIG. 5 is a right side view thereof;
FIG. 6 is a top view thereof; and,
FIG. 7 is a bottom view thereof.

The dot-dash broken lines immediately adjacent the claim represent the bounds of the claimed design, while all other broken lines are included for the purpose of illustration only; the broken lines form no part of the claimed design.

1 Claim, 7 Drawing Sheets



(58) **Field of Classification Search**

CPC 11/0005; B05B 11/001; C02F 1/003; C02F
1/283; C02F 2307/02

See application file for complete search history.

(56) **References Cited**

U.S. PATENT DOCUMENTS

D581,196 S * 11/2008 Kassenaar D7/306
D581,197 S * 11/2008 Kassenaar D7/306
D594,266 S * 6/2009 Nakatani D7/306
D637,769 S * 5/2011 Weber D30/121
D736,481 S * 8/2015 Cornwell D30/122
D747,047 S * 1/2016 Cornwell D30/122
D835,356 S * 12/2018 Xie D30/122
D836,850 S * 12/2018 Li D30/122
D843,665 S * 3/2019 Zeng D30/122
D844,258 S * 3/2019 Xu D30/122
2013/0213308 A1* 8/2013 Koskey, Jr. A01K 7/027
119/74
2013/0333622 A1* 12/2013 Jin A01K 5/0291
119/51.01
2015/0068463 A1* 3/2015 Worry A01K 5/0114
119/57.1
2015/0143750 A1* 5/2015 Jalbert E06B 7/32
49/25
2015/0164044 A1* 6/2015 Powers A01K 5/0225
119/61.5

* cited by examiner

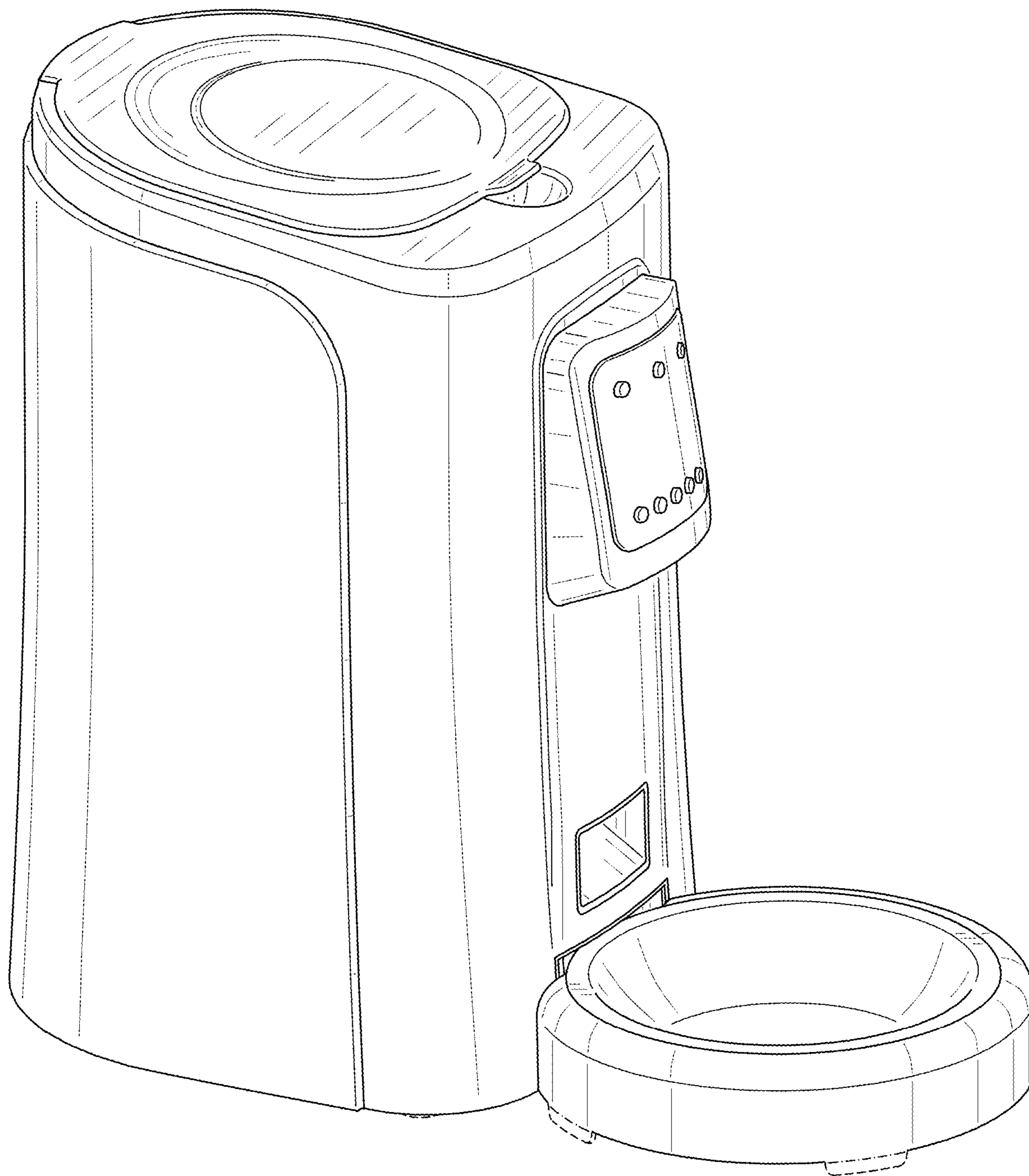


FIG. 1

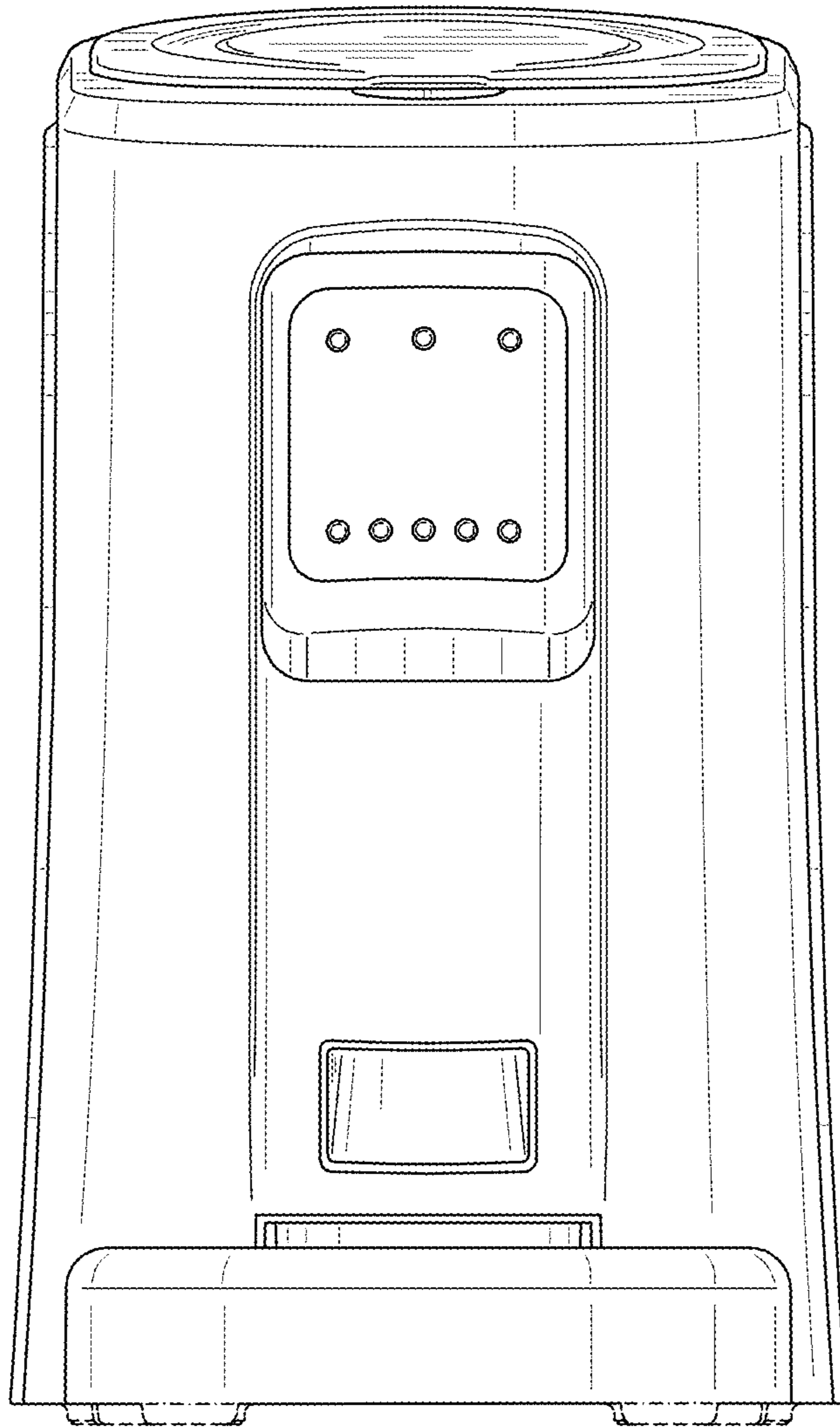


FIG. 2

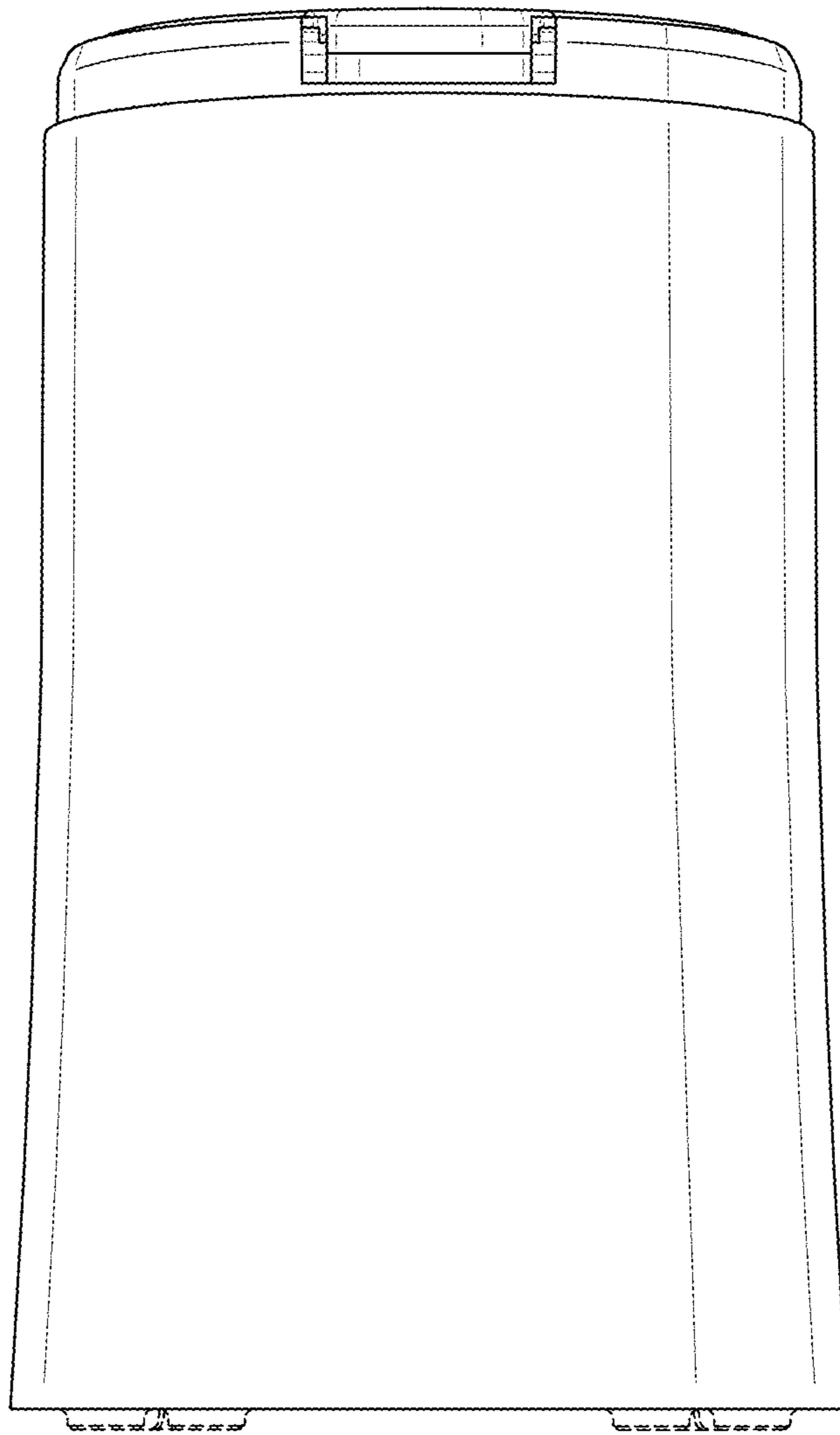


FIG. 3

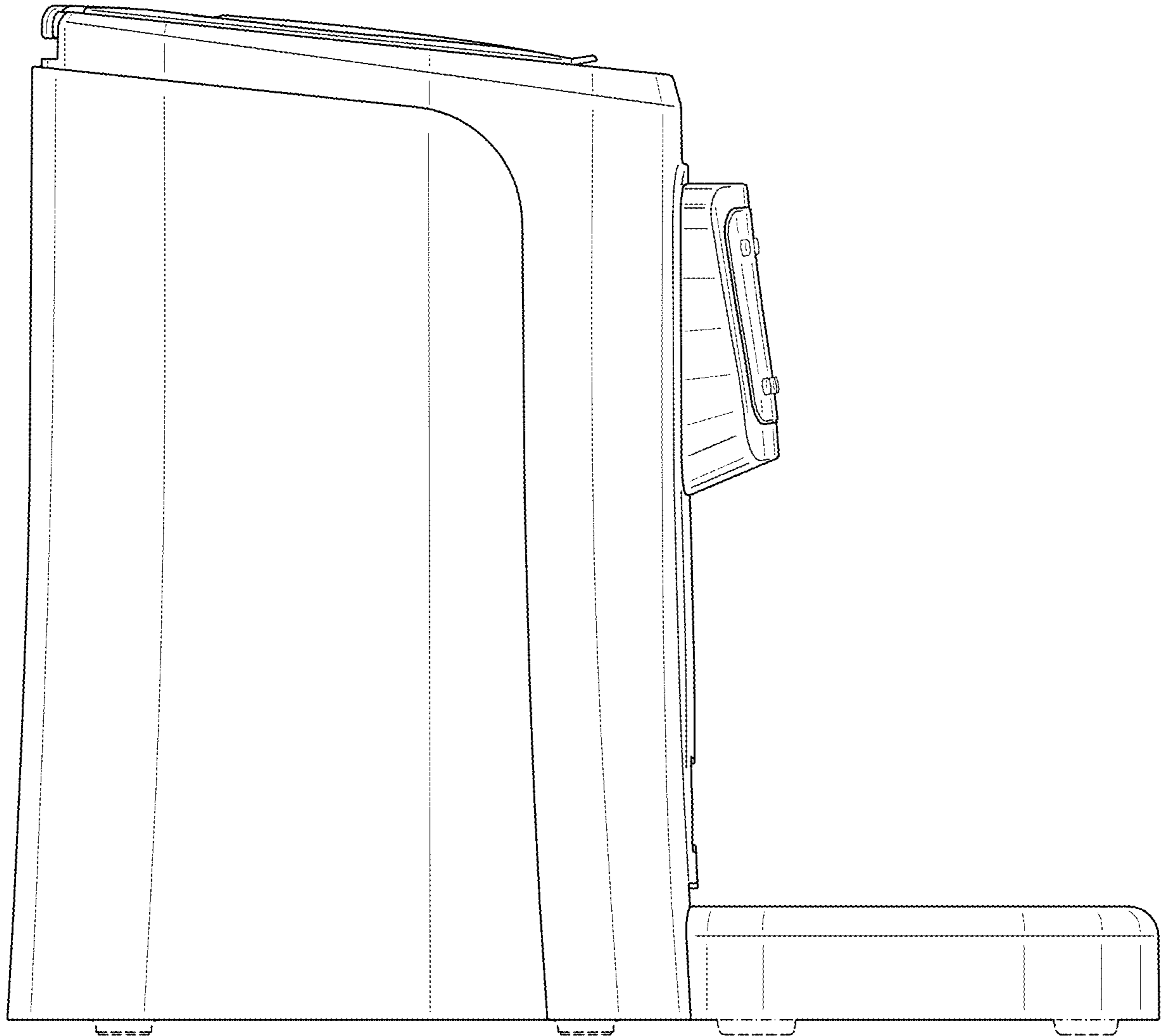


FIG. 4

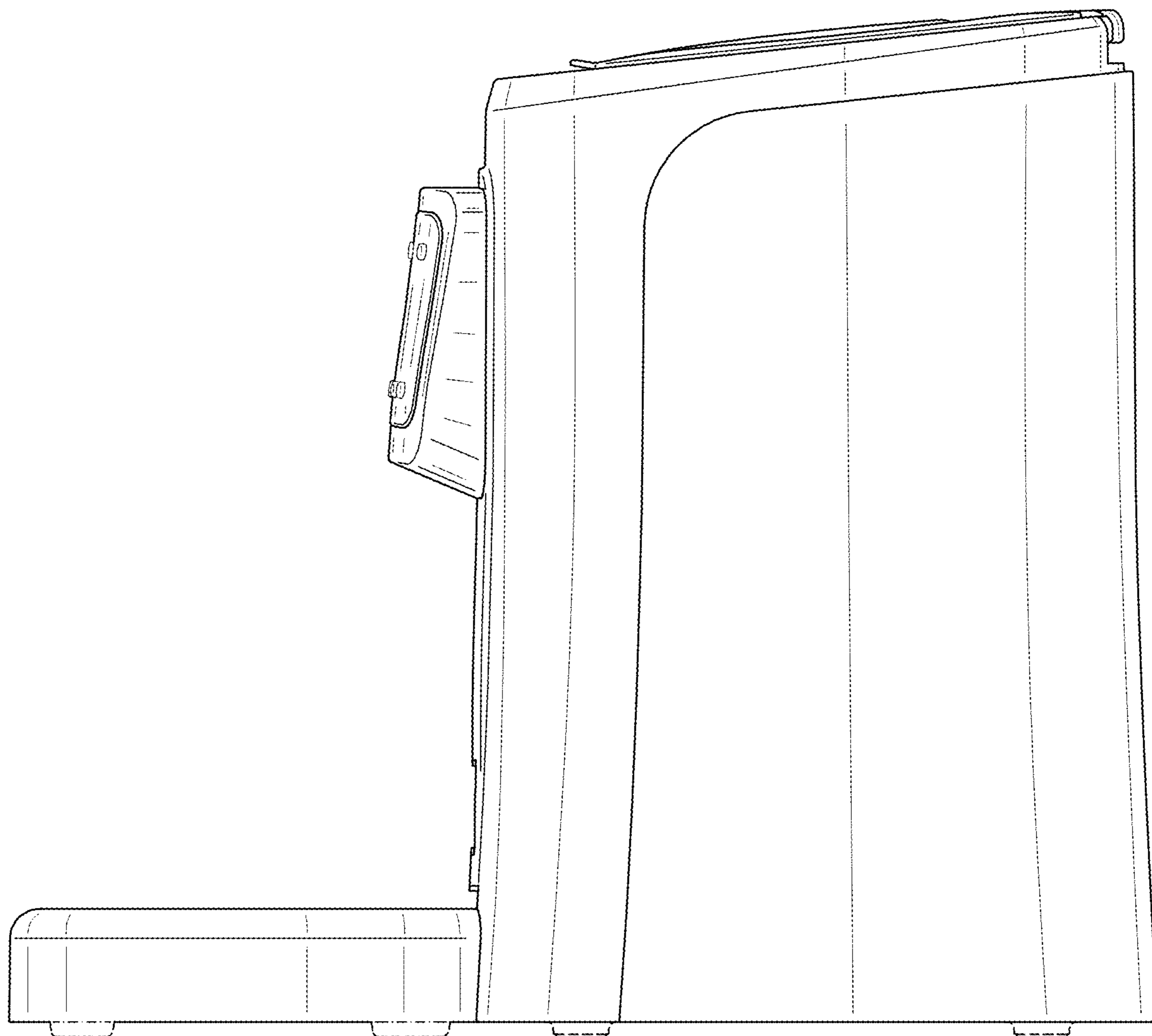


FIG. 5

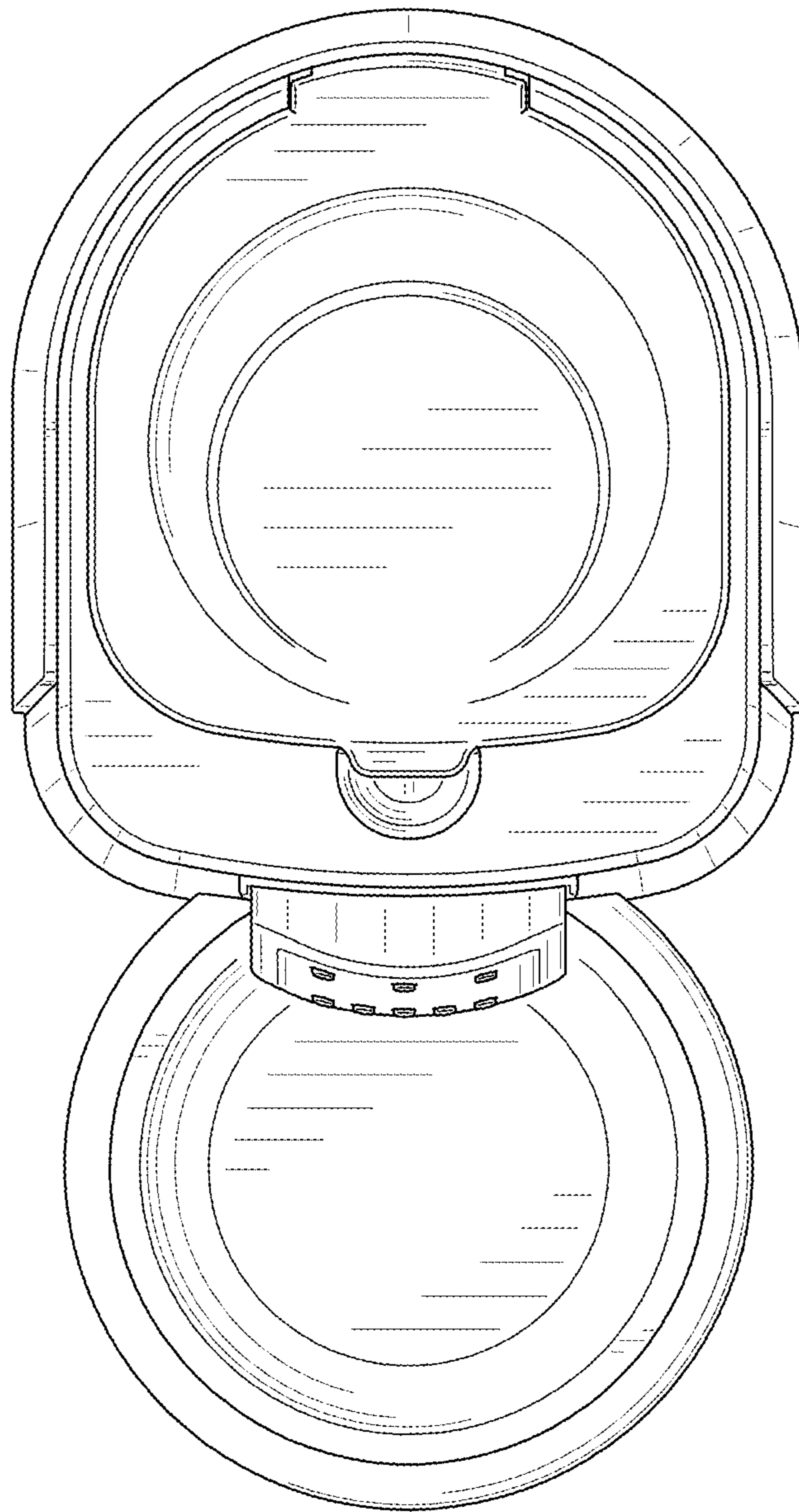


FIG. 6

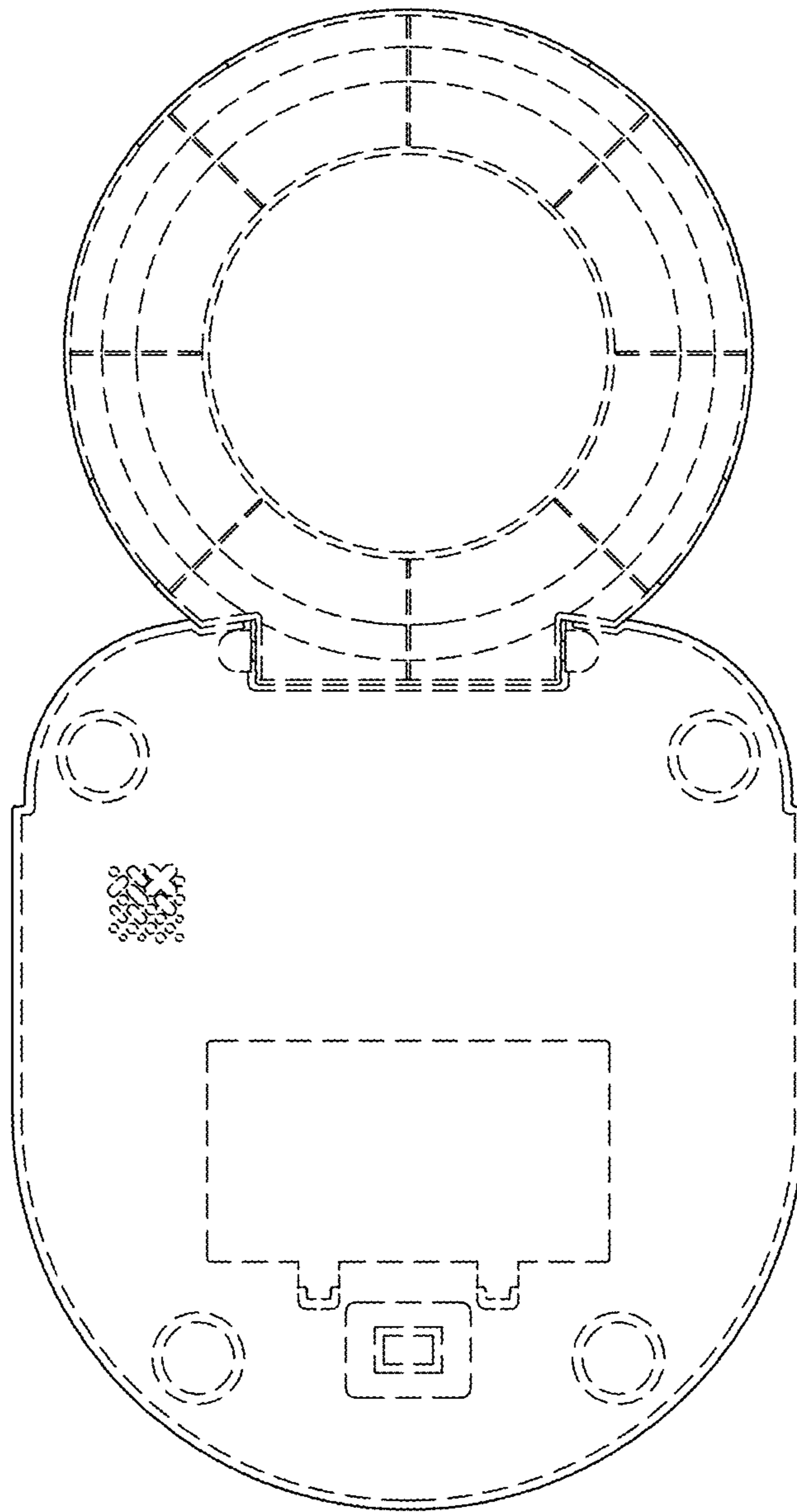


FIG. 7