



US00D876021S

(12) **United States Design Patent**  
**Gevaert**

(10) **Patent No.:** **US D876,021 S**  
(45) **Date of Patent:** **\*\* Feb. 18, 2020**

(54) **TRANSPORT CONTAINER FOR ANIMALS**

(71) Applicant: **MP GROUP NV**, Izegem (BE)

(72) Inventor: **Sabine Gevaert**, Bredene (BE)

(\*\*) Term: **15 Years**

(21) Appl. No.: **35/505,187**

(22) Filed: **May 24, 2018**

(80) **Hague Agreement Data**

Int. Filing Date: **May 24, 2018**

Int. Reg. No.: **DM/101658**

Int. Reg. Date: **May 24, 2018**

Int. Reg. Pub. Date: **Jun. 29, 2018**

(51) **LOC (12) Cl.** ..... **30-02**

(52) **U.S. Cl.**  
USPC ..... **D30/108**

(58) **Field of Classification Search**  
USPC ..... D30/108, 109, 114  
CPC .. A01K 1/0245; A01K 1/0236; A01K 1/0107;  
A01K 1/033; A01K 15/021; A01K 1/011;  
A01K 1/0254; A01K 1/0272; A01K  
5/0114; A01K 5/0258; A01K 5/0291;  
A01K 7/06

See application file for complete search history.

(56) **References Cited**

**U.S. PATENT DOCUMENTS**

3,710,761 A \* 1/1973 Gregory ..... A01K 1/0245  
119/496  
D364,712 S \* 11/1995 Murphy ..... D30/108

D374,510 S \* 10/1996 Barreto, III ..... D30/108  
D570,556 S \* 6/2008 Richardson ..... D30/109  
D584,458 S \* 1/2009 You ..... D30/109  
D615,251 S \* 5/2010 Scherbing ..... D30/109  
D713,099 S \* 9/2014 Chance ..... D30/109  
D720,503 S \* 12/2014 Lloyd ..... D30/109  
9,370,165 B2 \* 6/2016 de Bien ..... A01K 1/034  
D800,394 S \* 10/2017 Walter ..... D30/109  
D808,596 S \* 1/2018 Veness ..... D30/108  
2011/0041774 A1 \* 2/2011 Northrop ..... A01K 1/0245  
119/497

\* cited by examiner

*Primary Examiner* — Jennifer L Watkins

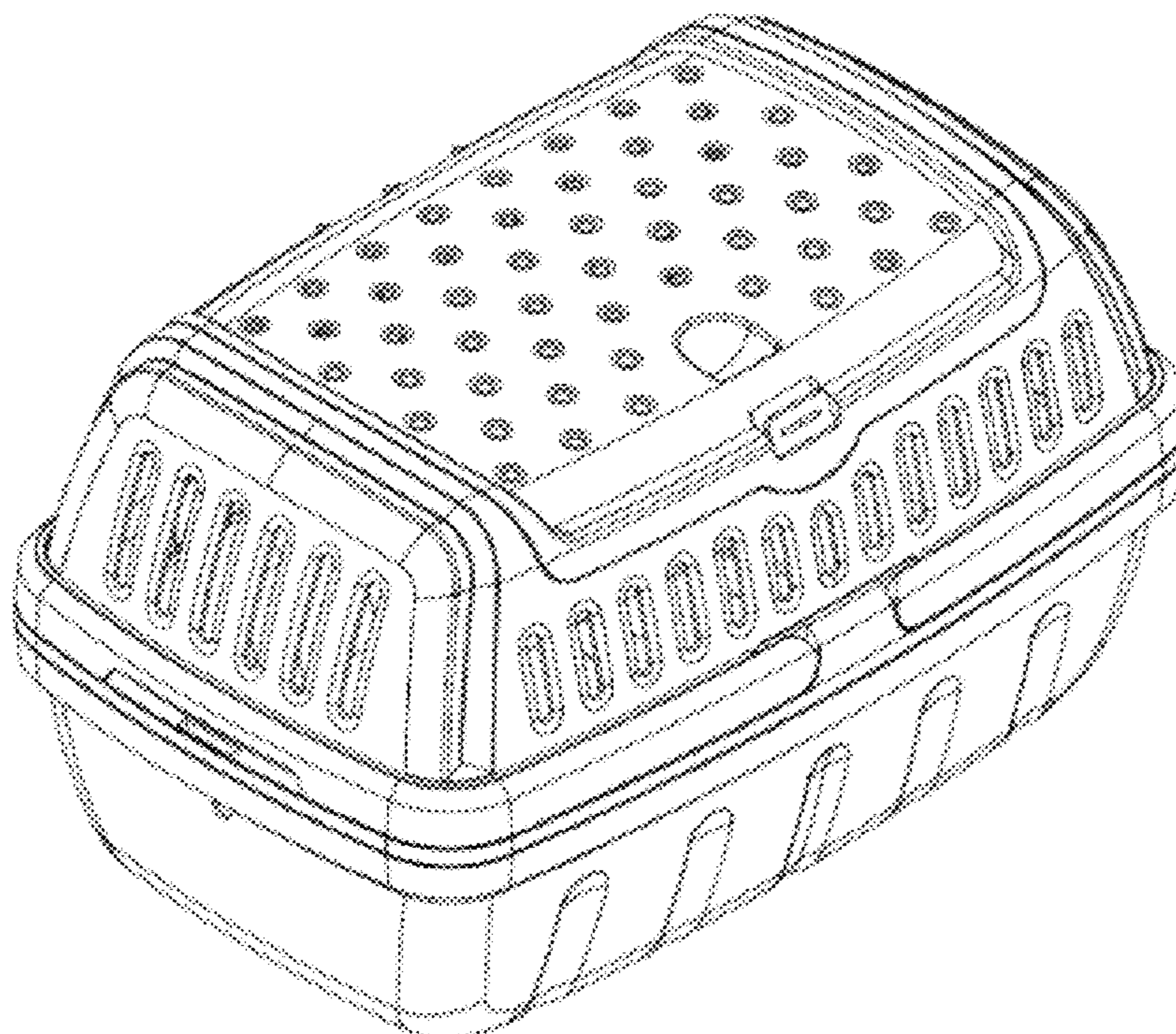
(57) **CLAIM**

The ornamental design for a transport container for animals, as shown and described.

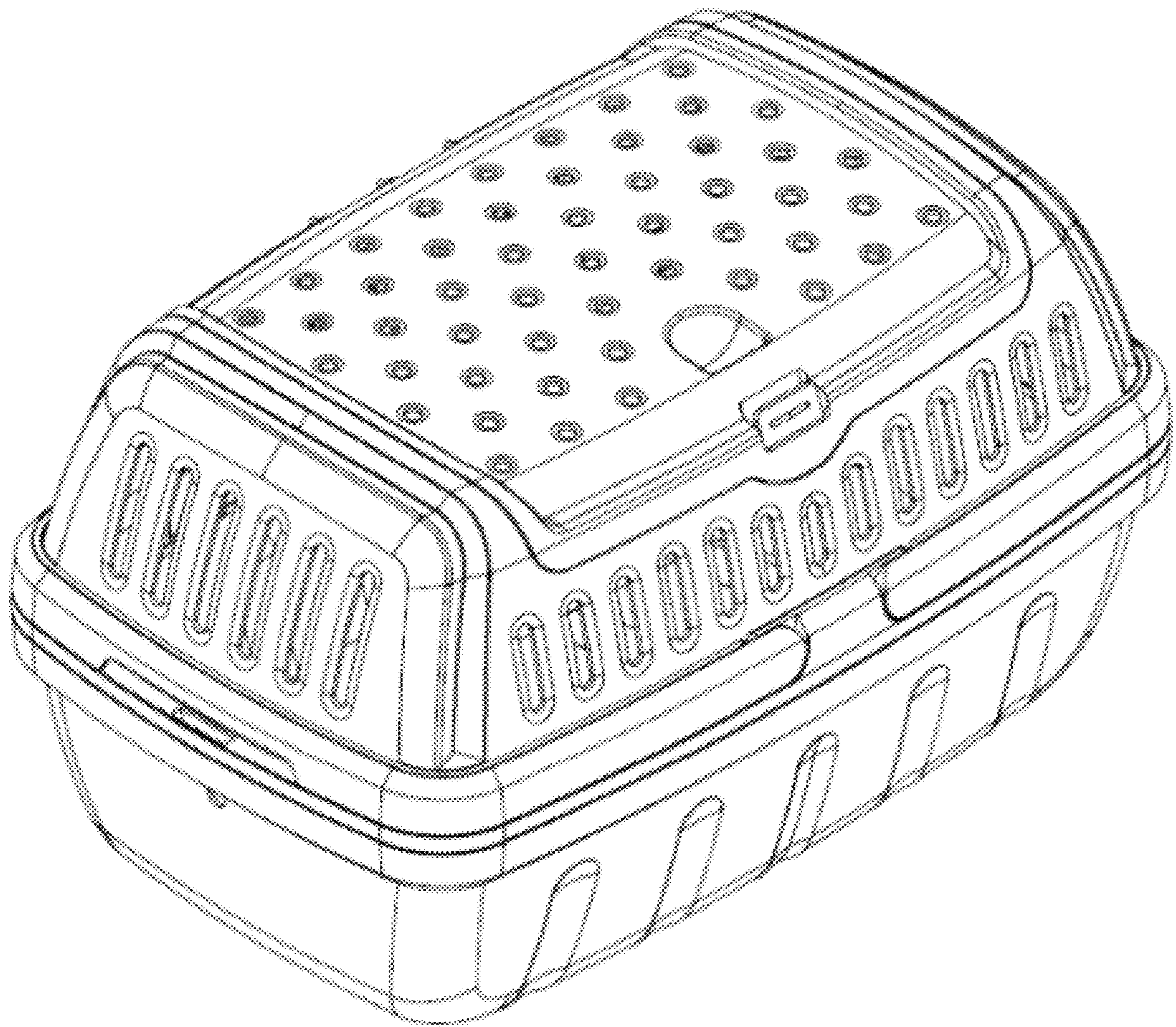
**DESCRIPTION**

- 1. Transport container for animals
- 1.1 is a front perspective view of a transport container for animals showing my new design;
- 1.2 is an exploded view thereof with the base of the container in a flipped position showing the bottom and back sides of the base;
- 1.3 is a perspective view thereof in an open position;
- 1.4 is a top plan view thereof;
- 1.5 is a front elevational view thereof; and
- 1.6 is a detailed perspective view of the top portion thereof.

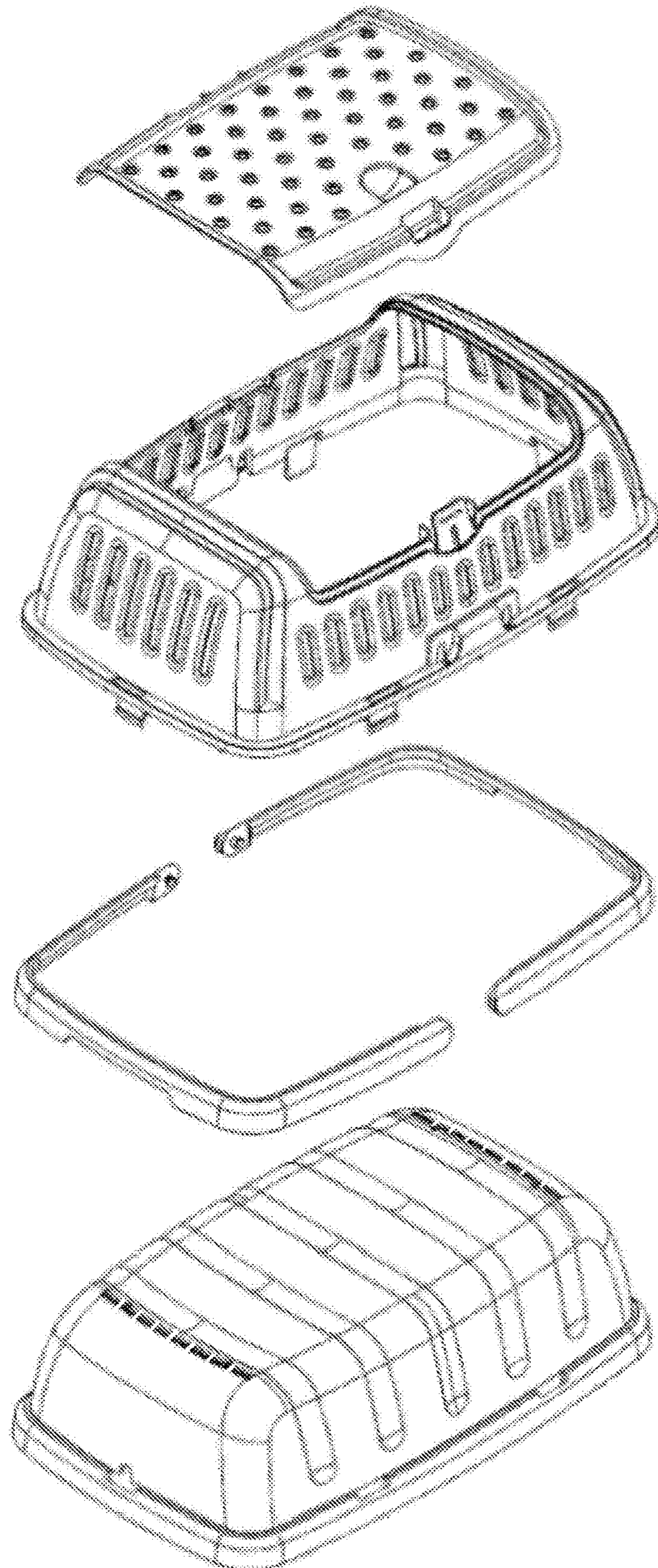
**1 Claim, 6 Drawing Sheets**



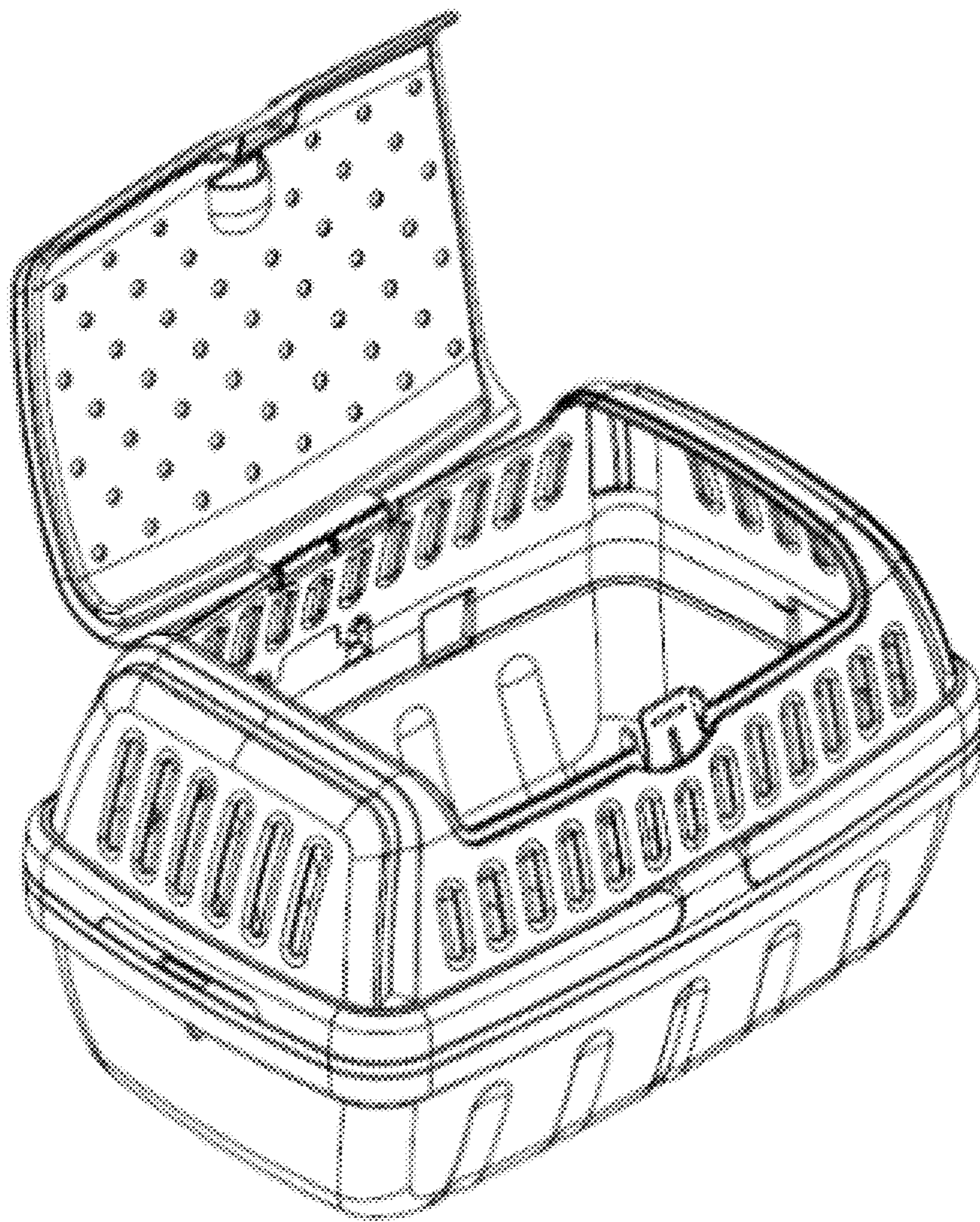
**1.1**



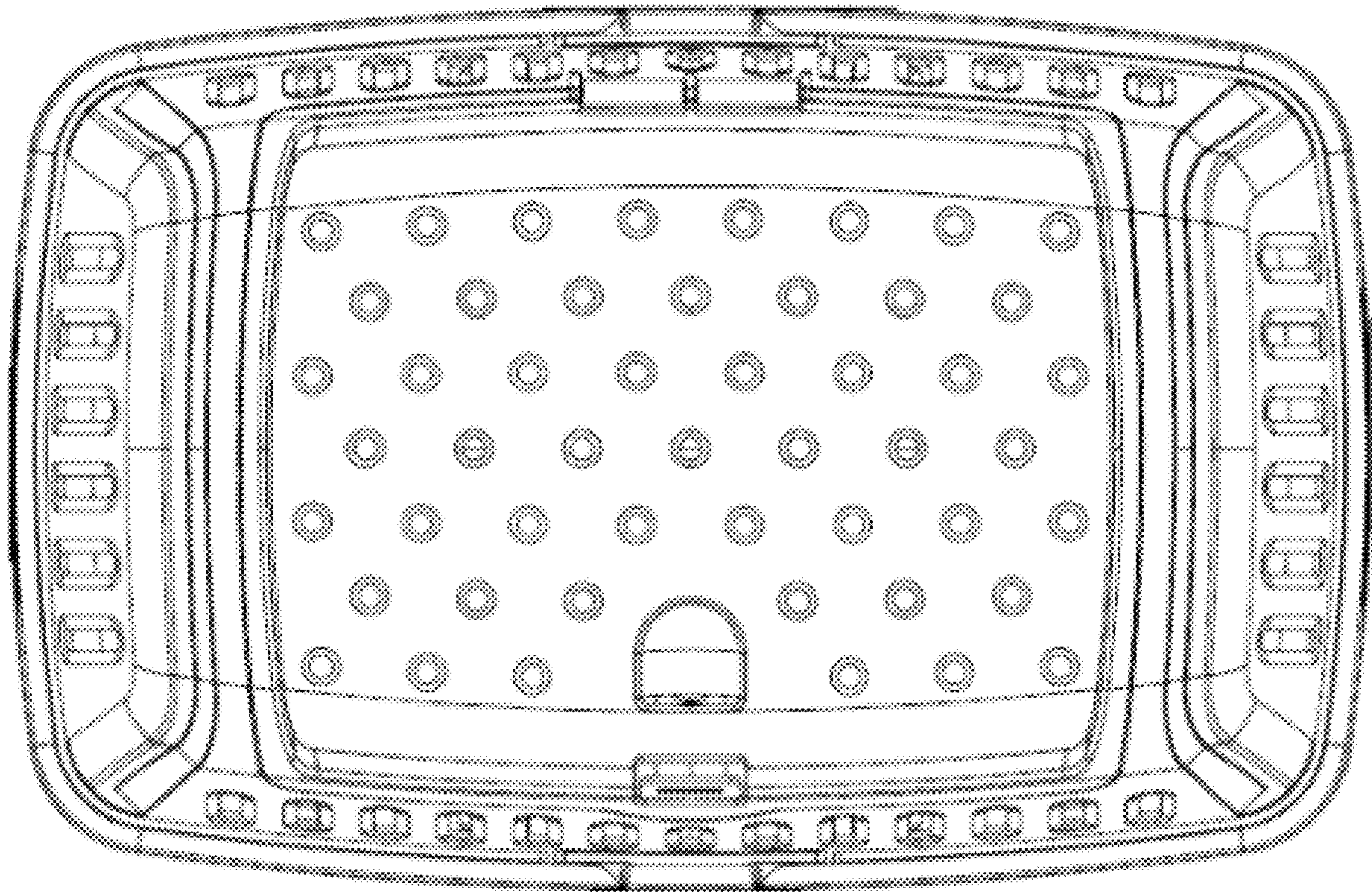
# 1.2



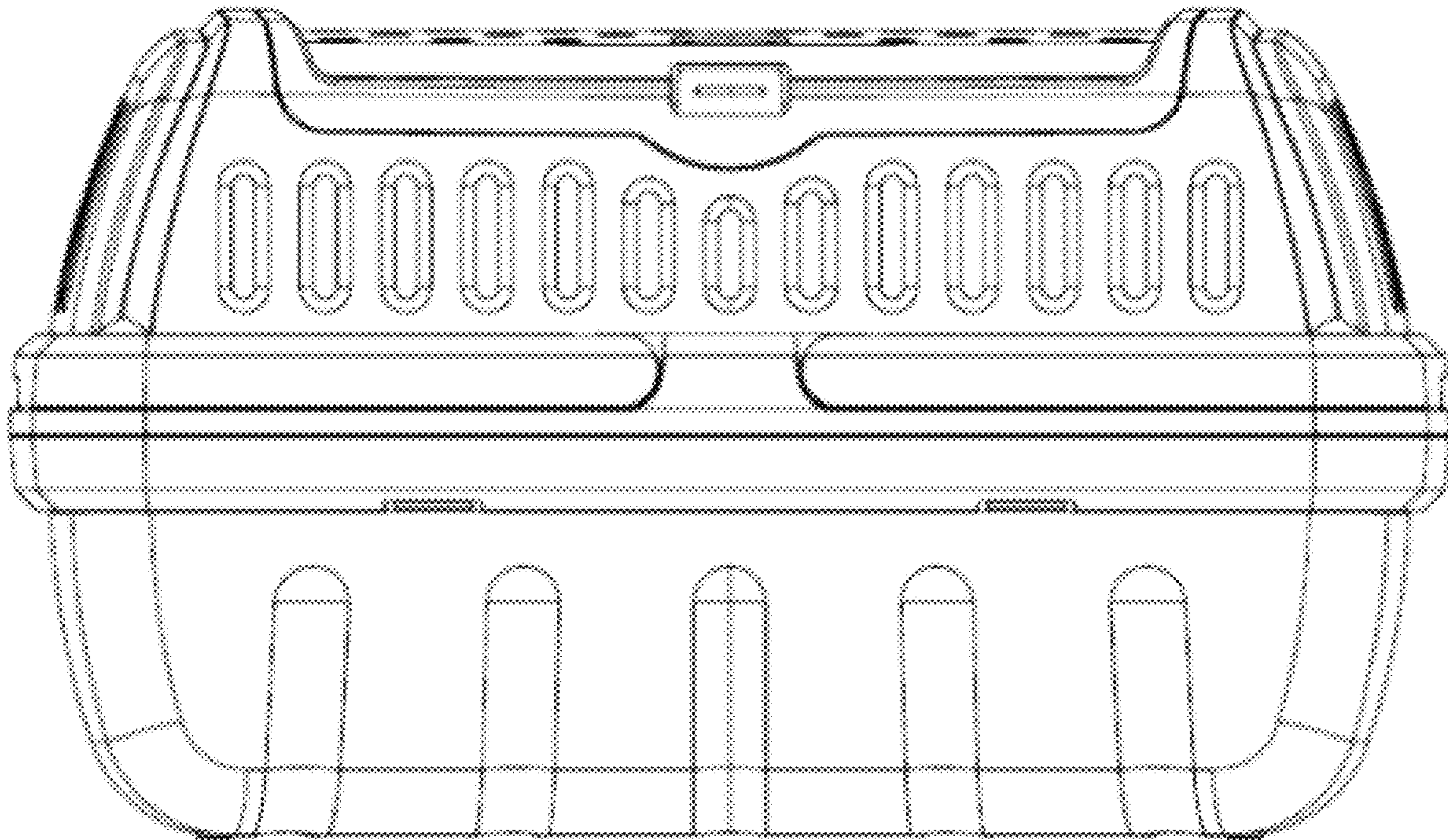
# 1.3



1.4



1.5



1.6

