



US00D876020S

(12) **United States Design Patent**  
**Langlois et al.**

(10) **Patent No.:** **US D876,020 S**  
(45) **Date of Patent:** **\*\* Feb. 18, 2020**

(54) **UPPER PORTION OF A FACE SHIELD**

D764,116 S \* 8/2016 Collette ..... D29/106  
9,498,014 B2 \* 11/2016 Princip ..... A42B 3/064  
D786,508 S \* 5/2017 Ricket ..... D29/106

(71) Applicant: **SPORT MASKA INC.**, Montréal (CA)

(72) Inventors: **Simon Langlois**,  
Notre-Dame-de-l'île-Perrot (CA); **Brian Steenbrink**,  
Pointe-Claire (CA); **Pierre-Luc Beauchamp**,  
Montréal (CA); **Thierry Petelle**,  
Montréal (CA)

(73) Assignee: **SPORT MASKA INC.**, Montreal  
(Quebec) (CA)

(\*\*) Term: **15 Years**

(21) Appl. No.: **29/661,506**

(22) Filed: **Aug. 28, 2018**

(51) **LOC (12) Cl.** ..... **29-02**

(52) **U.S. Cl.**  
USPC ..... **D29/122; D29/106**

(58) **Field of Classification Search**  
USPC ..... D29/100, 102, 104, 105, 106, 107, 108,  
D29/109, 110, 122  
CPC .. A42B 1/066; A42B 1/00; A42B 1/06; A42B  
3/228; A42B 3/00; A42B 3/08; A42B  
3/32; A42B 3/222; A42B 3/20; A42B  
3/227; A42B 3/105; A42B 3/06; A42B  
3/0406; A42B 3/18; A42B 3/166; A42B  
3/16; A42B 3/22; A42B 3/04; A42B  
3/0473; A42B 3/127; A63B 71/10; A63B  
71/105; A41D 13/0512

See application file for complete search history.

(56) **References Cited**

**U.S. PATENT DOCUMENTS**

D587,852 S \* 3/2009 Nimmons ..... D29/122  
9,131,744 B2 \* 9/2015 Erb ..... A42B 3/124

**OTHER PUBLICATIONS**

Perani's Hockey World, "Bauer Recon Gull Shield (X200)", 2005,  
<https://www.hockeyworld.com/Bauer-Recon-Full-Shield-X200>.

\* cited by examiner

*Primary Examiner* — Randall H Gholson

(74) *Attorney, Agent, or Firm* — Thomas|Horstemeyer,  
LLP

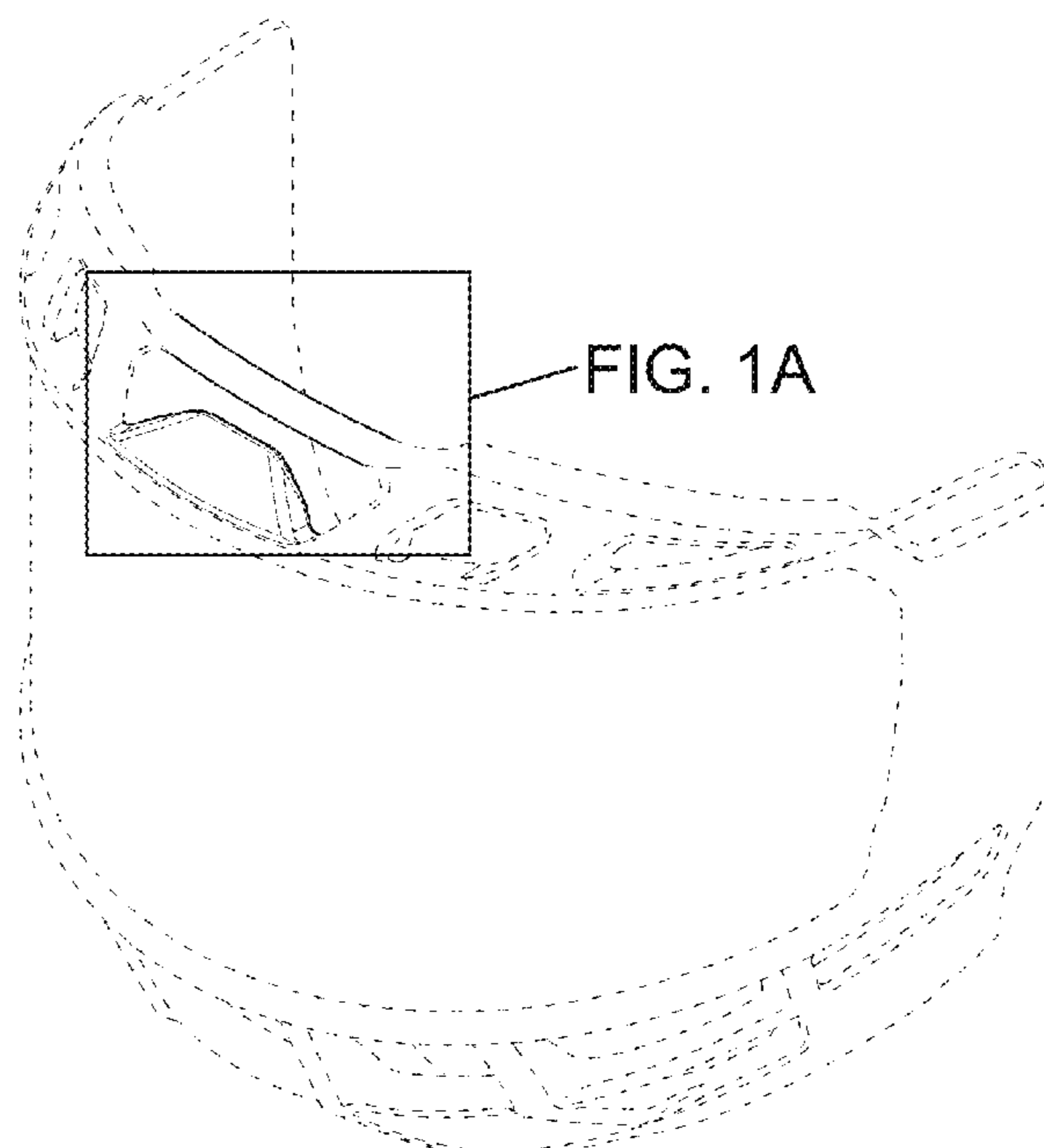
(57) **CLAIM**

The ornamental design for a upper portion of a face shield,  
as shown and described.

**DESCRIPTION**

FIG. 1 is a front side perspective view of an upper portion  
of a face shield according to the present design;  
FIG. 1A is an enlarged perspective view of the portion  
shown in the square area identified as FIG. 1A in FIG. 1;  
FIG. 2 is a top perspective view of the face shield upper  
portion of FIG. 1;  
FIG. 2A is an enlarged perspective view of the portion  
shown with the square area identified as FIG. 2A in FIG. 2;  
FIG. 3 is a front elevational view of the face shield upper  
portion of FIG. 1; and,  
FIG. 3A is an enlarged front view of the portion shown with  
the square area identified as FIG. 3A in FIG. 3.  
The broken lines represent portions that form no part of the  
claimed design.

**1 Claim, 3 Drawing Sheets**



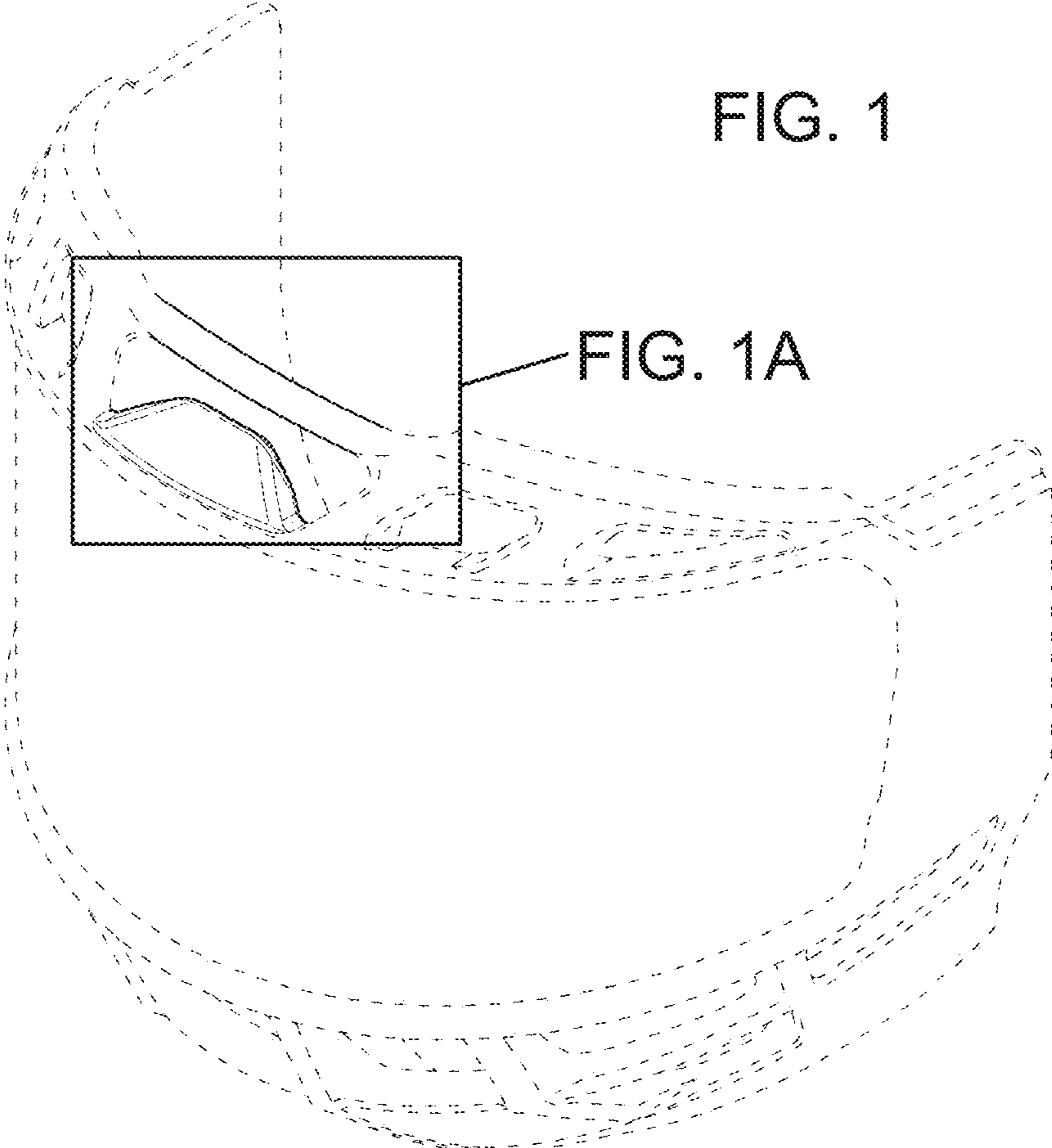


FIG. 1

FIG. 1A

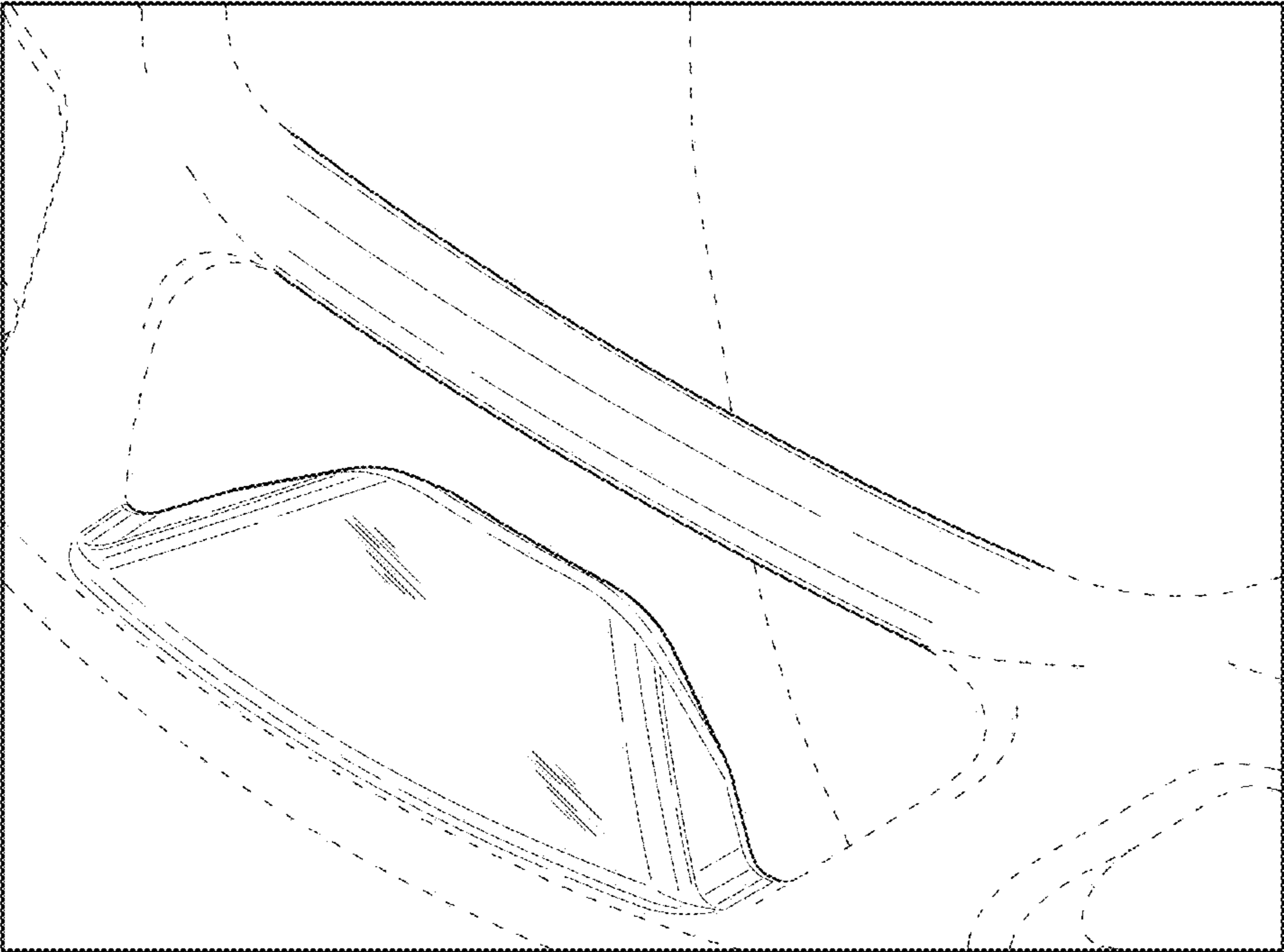


FIG. 1A

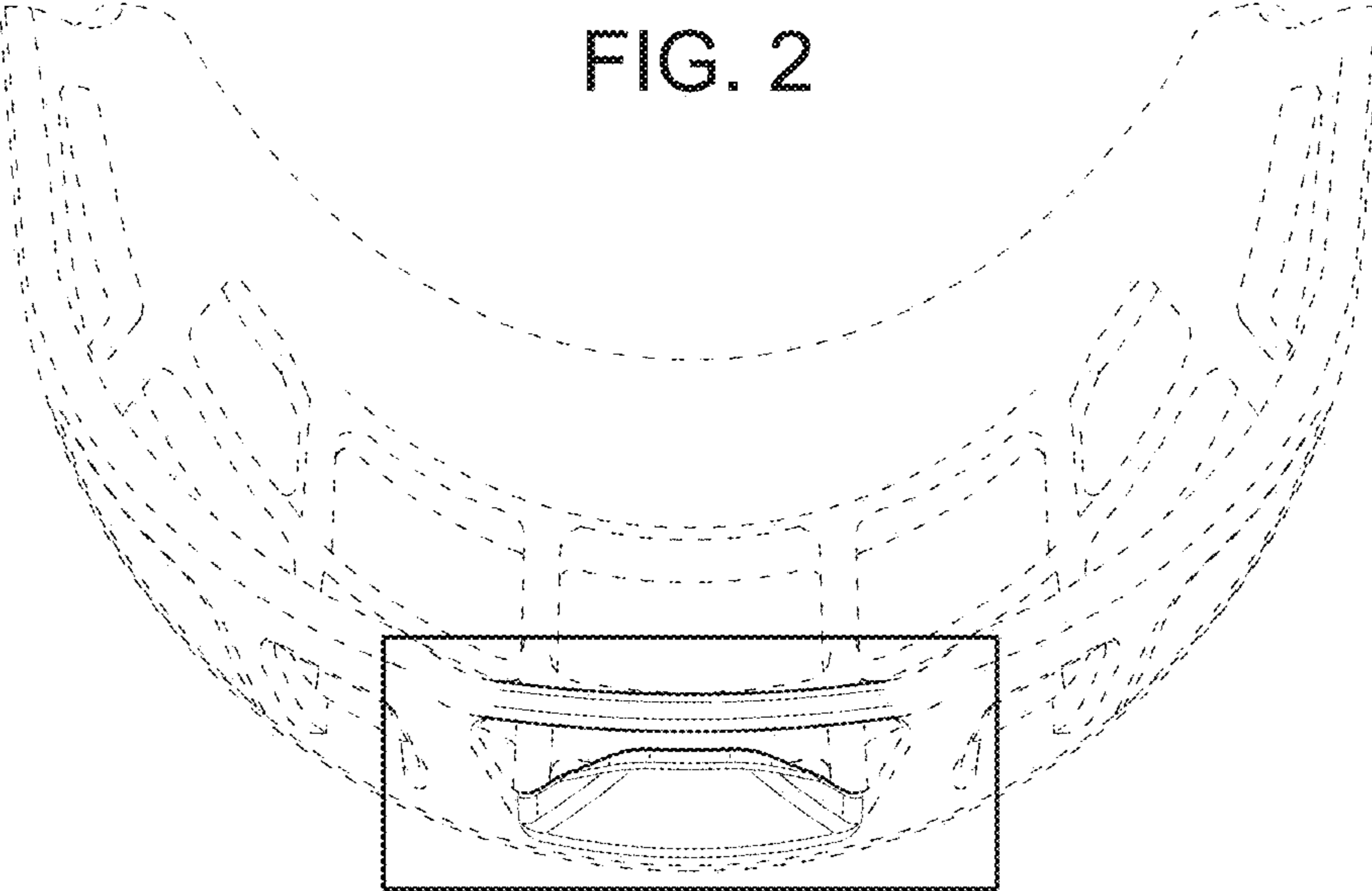


FIG. 2A

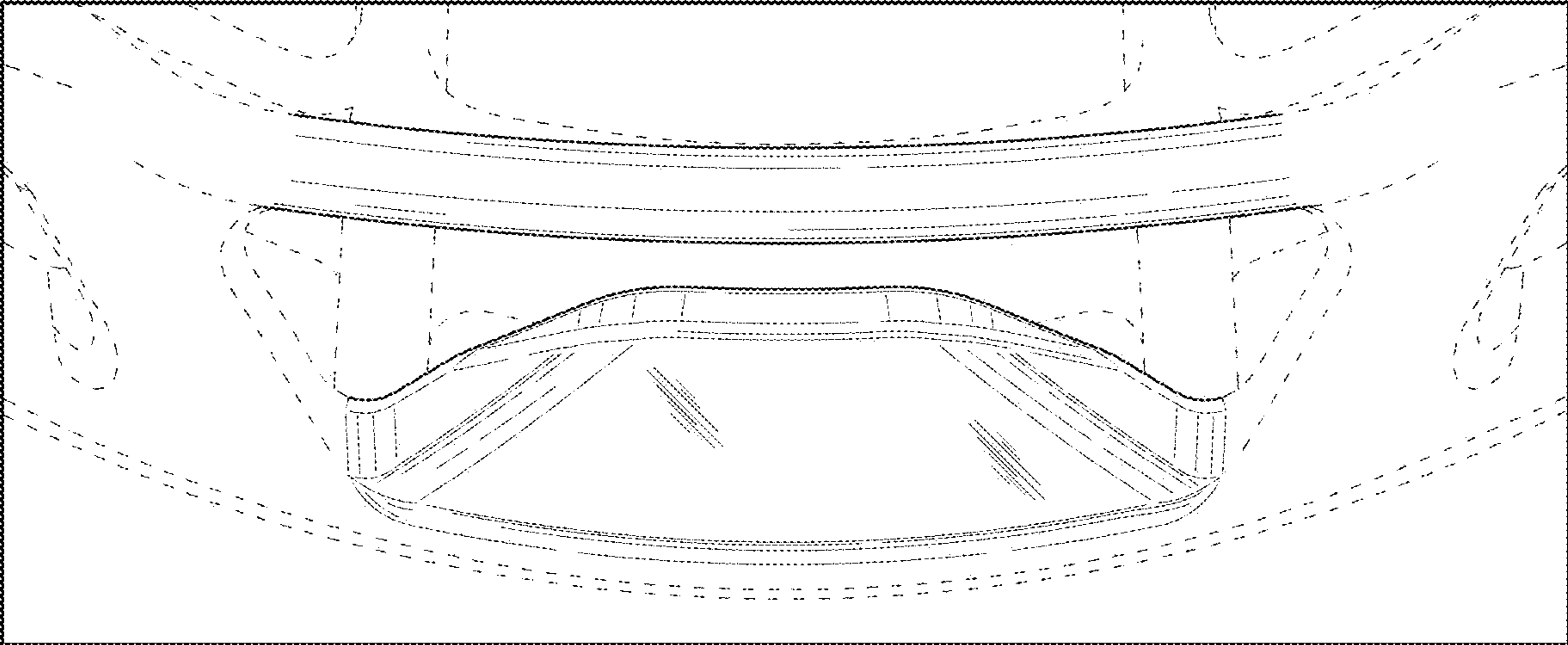


FIG. 2A

FIG. 3A

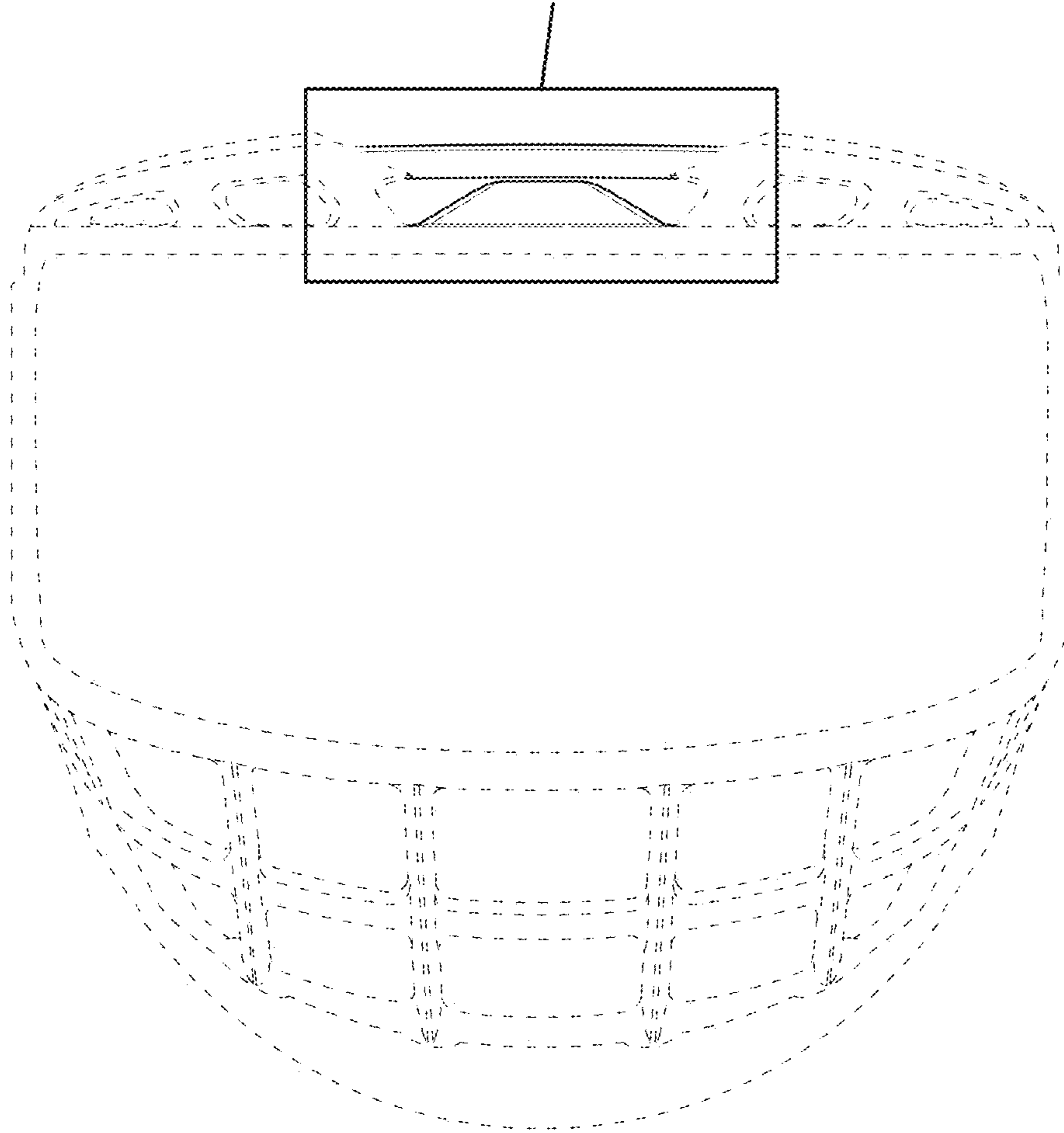


FIG. 3

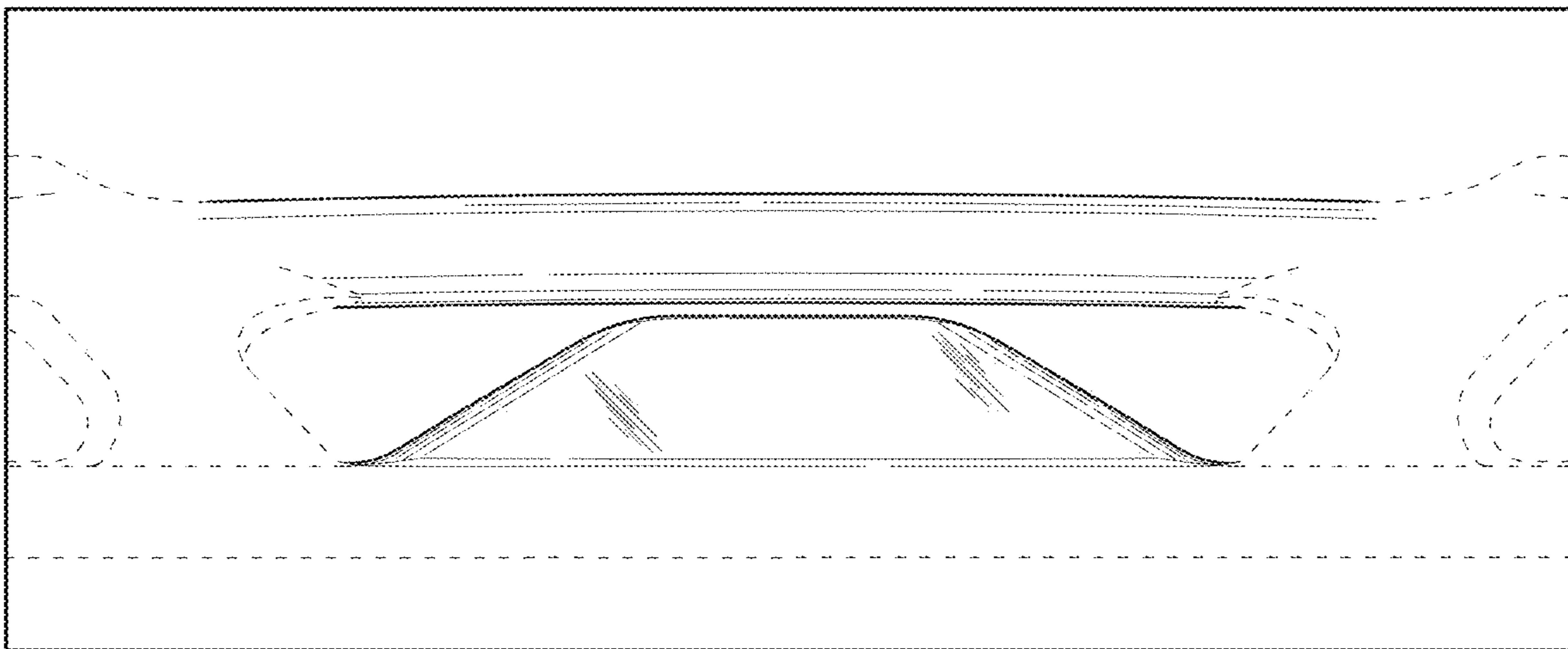


FIG. 3A