

US00D876017S

(12) **United States Design Patent**  
**Gustafsson et al.**

(10) **Patent No.:** **US D876,017 S**  
(45) **Date of Patent:** **\*\* Feb. 18, 2020**

(54) **ATTACHMENT ARM**

(71) Applicant: **3M INNOVATIVE PROPERTIES COMPANY**, St. Paul, MN (US)

(72) Inventors: **Hans O. E. Gustafsson**, Värnamo (SE);  
**Henric L. O. Hansson**, Värnamo (SE);  
**Van Cuong Bui**, Jönköping (SE);  
**Niclas P. Hörnquist**, Anderstorp (SE)

(73) Assignee: **3M Innovative Properties Company**,  
St. Paul, MN (US)

(\*\*) Term: **15 Years**

(21) Appl. No.: **29/625,097**

(22) Filed: **Nov. 7, 2017**

(30) **Foreign Application Priority Data**

May 10, 2017 (EM) ..... 001458517

(51) **LOC (12) Cl.** ..... **29-02**

(52) **U.S. Cl.**  
USPC ..... **D29/112**

(58) **Field of Classification Search**  
USPC ..... D29/102, 105, 106, 108, 109–112, 122  
CPC . A61F 11/14; A61F 9/029; A61F 9/00; A42B  
3/166; A42B 3/04; A42B 3/16; A42B  
1/06; A42B 1/24; F41H 1/04; H04R  
25/00  
See application file for complete search history.

(56) **References Cited**

U.S. PATENT DOCUMENTS

3,197,785 A \* 8/1965 Simpson ..... A42B 3/166  
2/423  
3,430,261 A \* 3/1969 Benner ..... A42B 3/166  
2/423  
3,461,463 A \* 8/1969 Beguin ..... A42B 3/166  
2/423  
D244,491 S \* 5/1977 Csiki ..... D29/105

4,069,512 A \* 1/1978 Palmaer ..... A42B 3/166  
2/209  
4,104,743 A \* 8/1978 Bottger ..... A42B 3/166  
2/423  
4,944,361 A \* 7/1990 Lindgren ..... A42B 3/166  
181/129  
5,546,610 A \* 8/1996 Herzig ..... A42B 3/225  
2/422  
D427,382 S \* 6/2000 Leight ..... D29/112  
D434,191 S \* 11/2000 Emilsson ..... D29/112  
D541,484 S \* 4/2007 Birgersson ..... A61F 11/14  
D29/112  
7,283,641 B2 \* 10/2007 Rolla ..... A42B 3/166  
381/370  
D635,686 S \* 4/2011 Tucker ..... D24/209  
D663,902 S \* 7/2012 Karlsson ..... A61F 11/14  
D29/122  
D741,550 S \* 10/2015 Edwardsson ..... D29/112

(Continued)

*Primary Examiner* — Mark A Goodwin  
(74) *Attorney, Agent, or Firm* — Katherine M. Scholz;  
Dena M. Ehrich

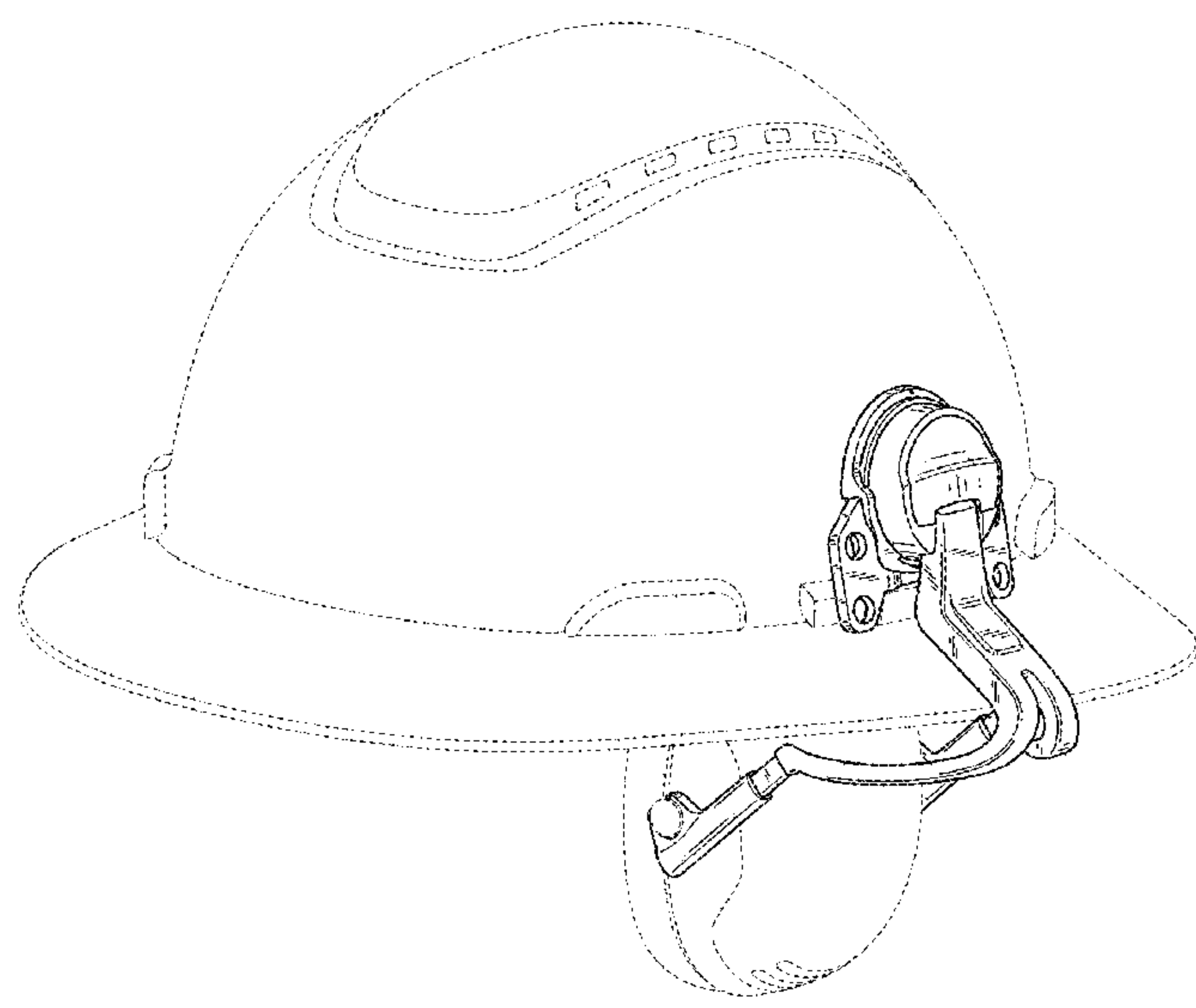
(57) **CLAIM**

The ornamental design for an attachment arm, as shown and described.

**DESCRIPTION**

FIG. 1 is a perspective view showing the new design for an attachment arm;  
FIG. 2 is a side view thereof;  
FIG. 3 is a side view thereof;  
FIG. 4 is a front view thereof;  
FIG. 5 is a rear view thereof;  
FIG. 6 is a top view thereof; and,  
FIG. 7 is a bottom view thereof.  
The broken line showing of the helmet and hearing protector is included for the purpose of illustrating environmental use only and forms no part of the claimed design.

**1 Claim, 7 Drawing Sheets**



(56)

**References Cited**

U.S. PATENT DOCUMENTS

D744,171 S \* 11/2015 Rose ..... D29/112  
D763,518 S \* 8/2016 Fletcher ..... D29/112  
D807,585 S \* 1/2018 Fletcher ..... D29/112  
D821,354 S \* 6/2018 Ohmachi ..... D14/205  
D848,679 S \* 5/2019 Wilson ..... D29/112  
2004/0218776 A1\* 11/2004 Rolla ..... A42B 3/166  
381/374  
2007/0226865 A1\* 10/2007 Lindgren ..... A42B 3/166  
2/6.2  
2010/0281605 A1\* 11/2010 Pereira ..... A42B 3/166  
2/422  
2013/0205477 A1\* 8/2013 Pfanner ..... A42B 3/166  
2/416  
2013/0219598 A1\* 8/2013 Pfanner ..... A42B 3/16  
2/423  
2017/0049179 A1\* 2/2017 Nordin ..... A42B 3/166

\* cited by examiner

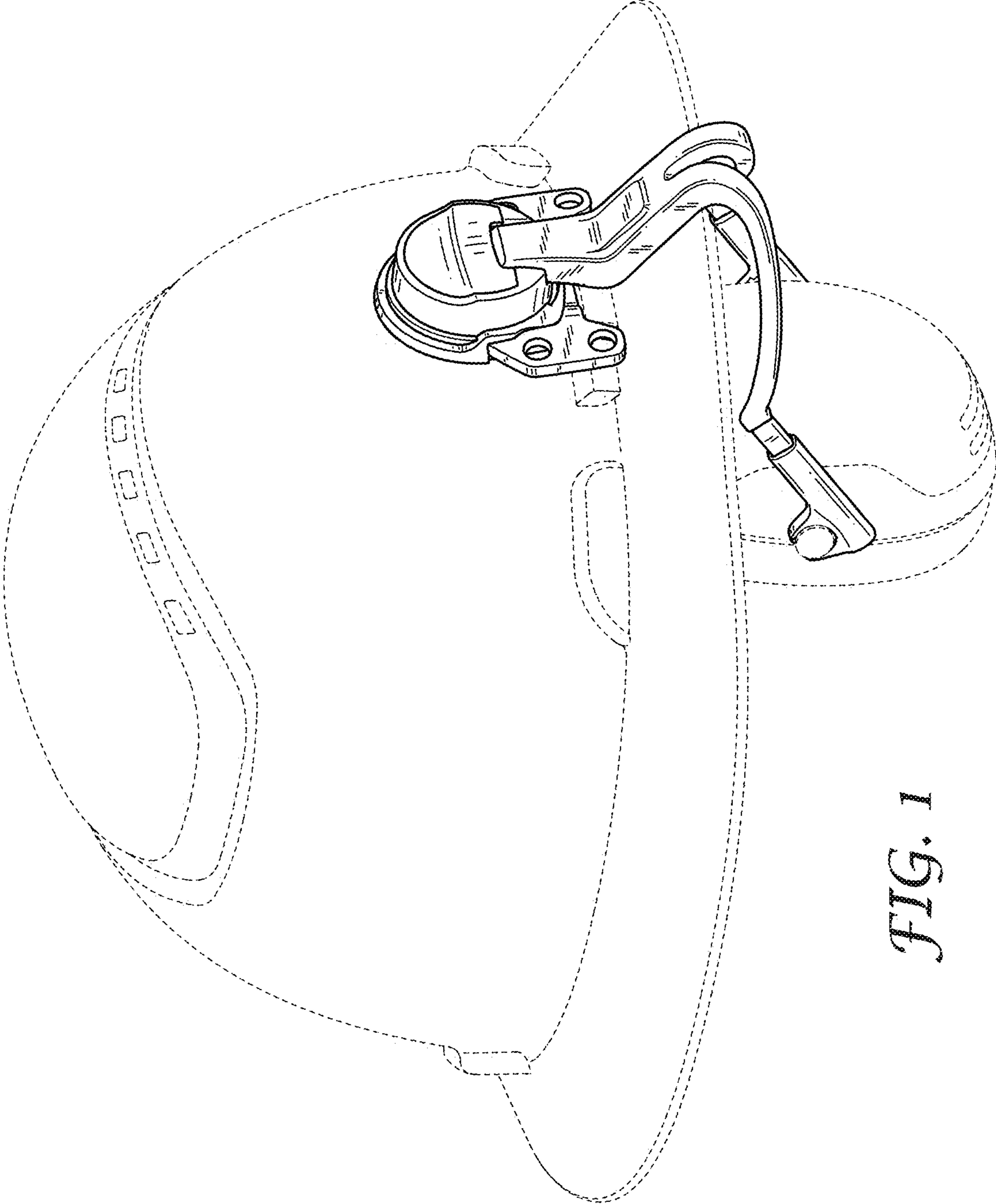


FIG. 1

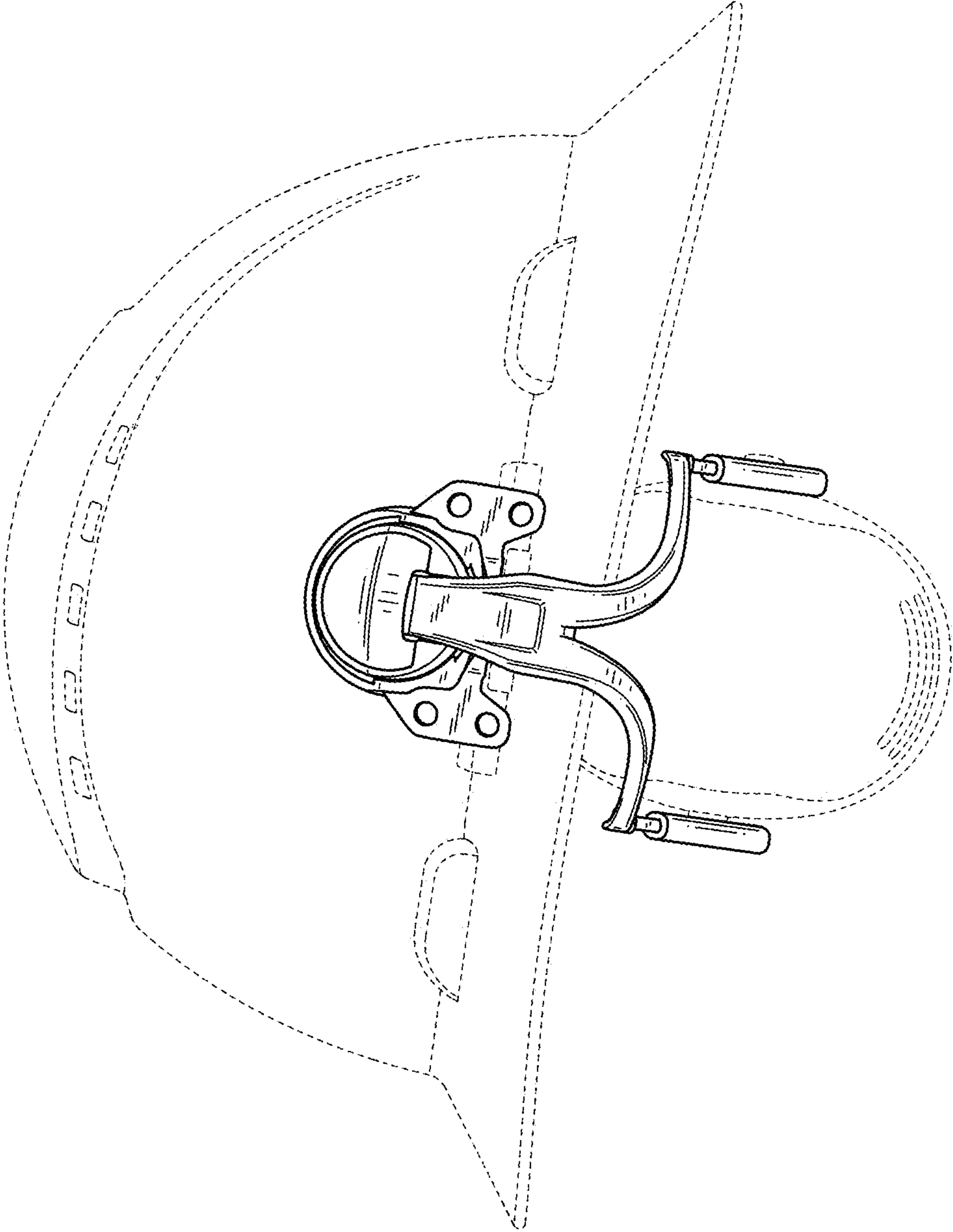


FIG. 2

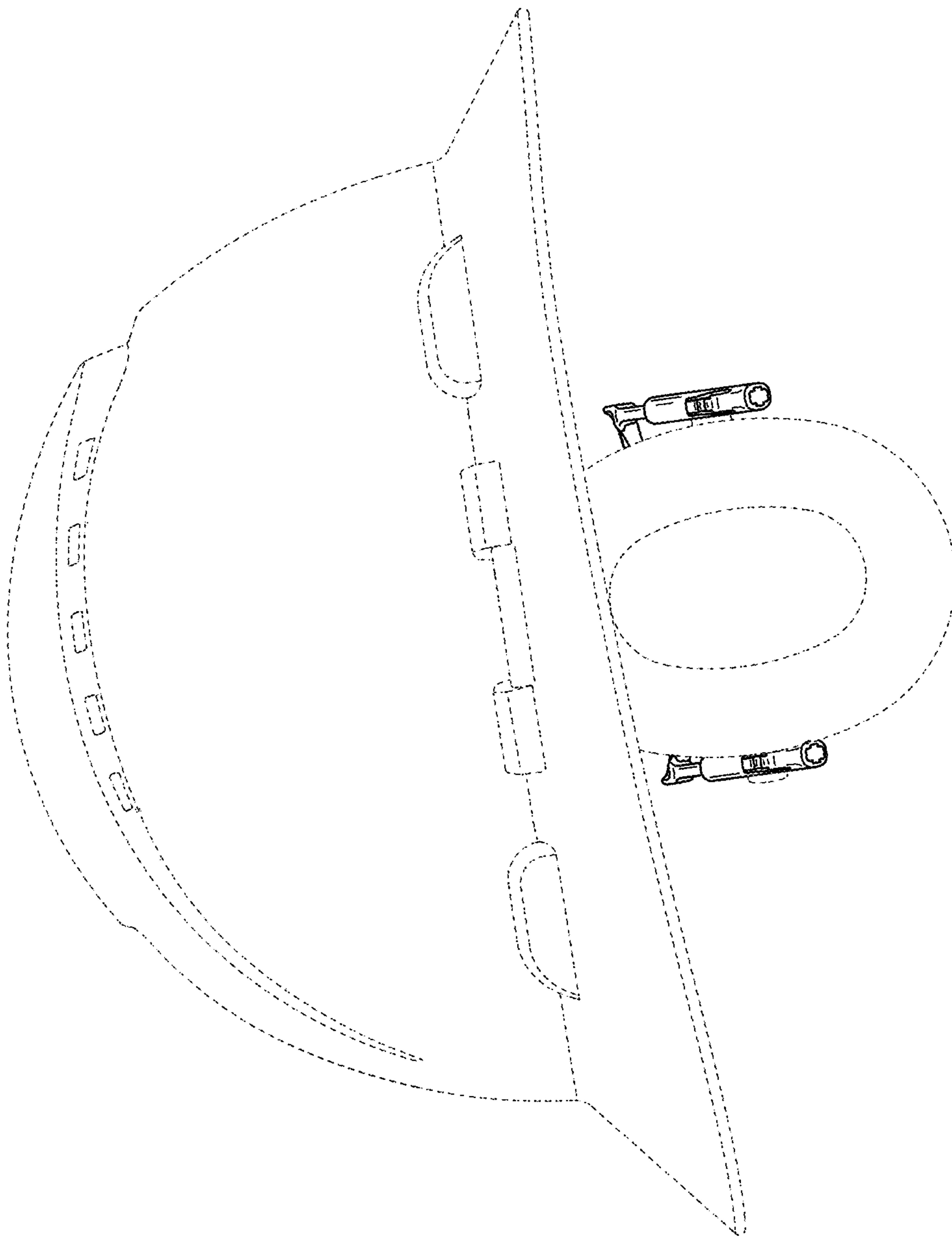


FIG. 3

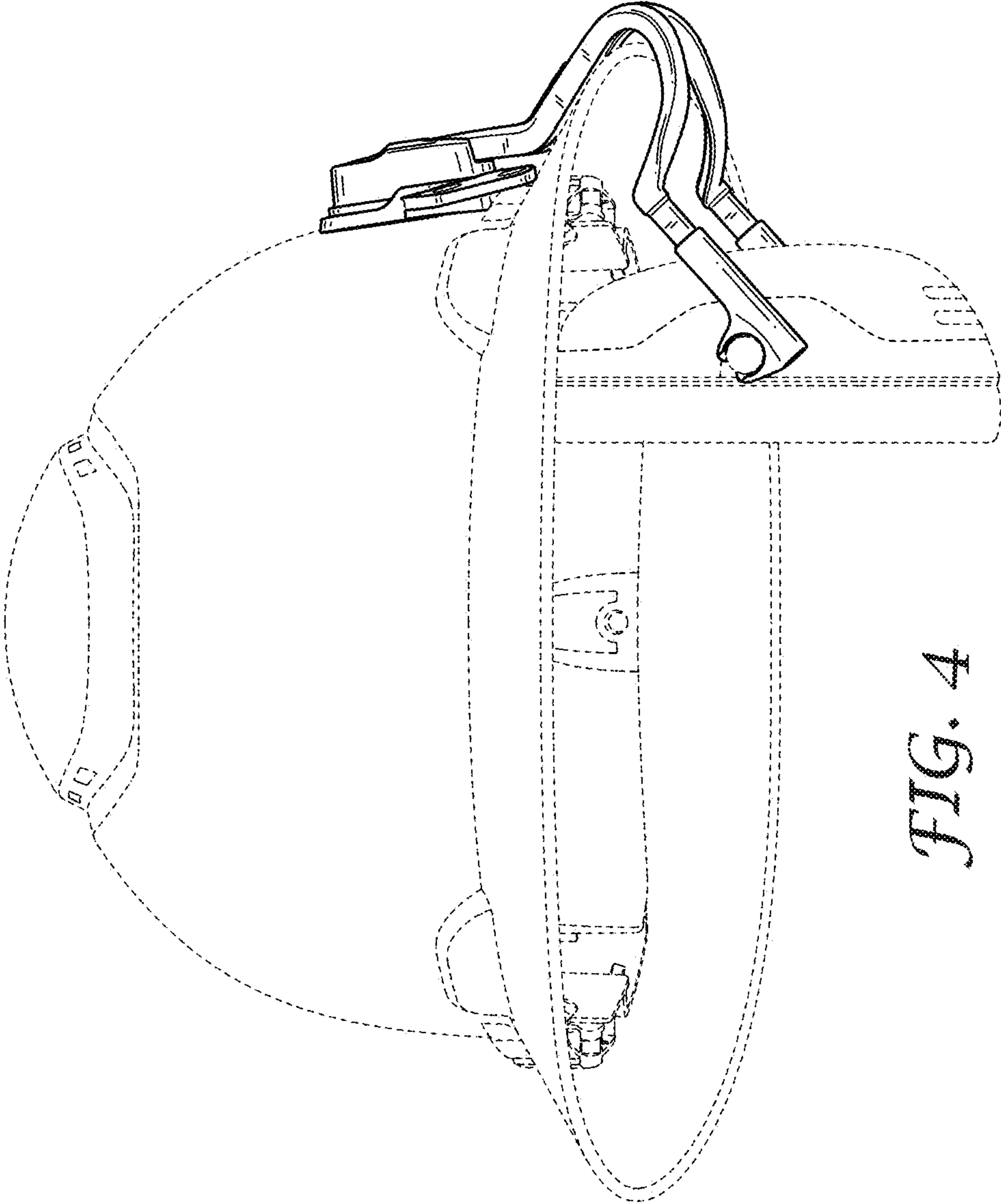


FIG. 4



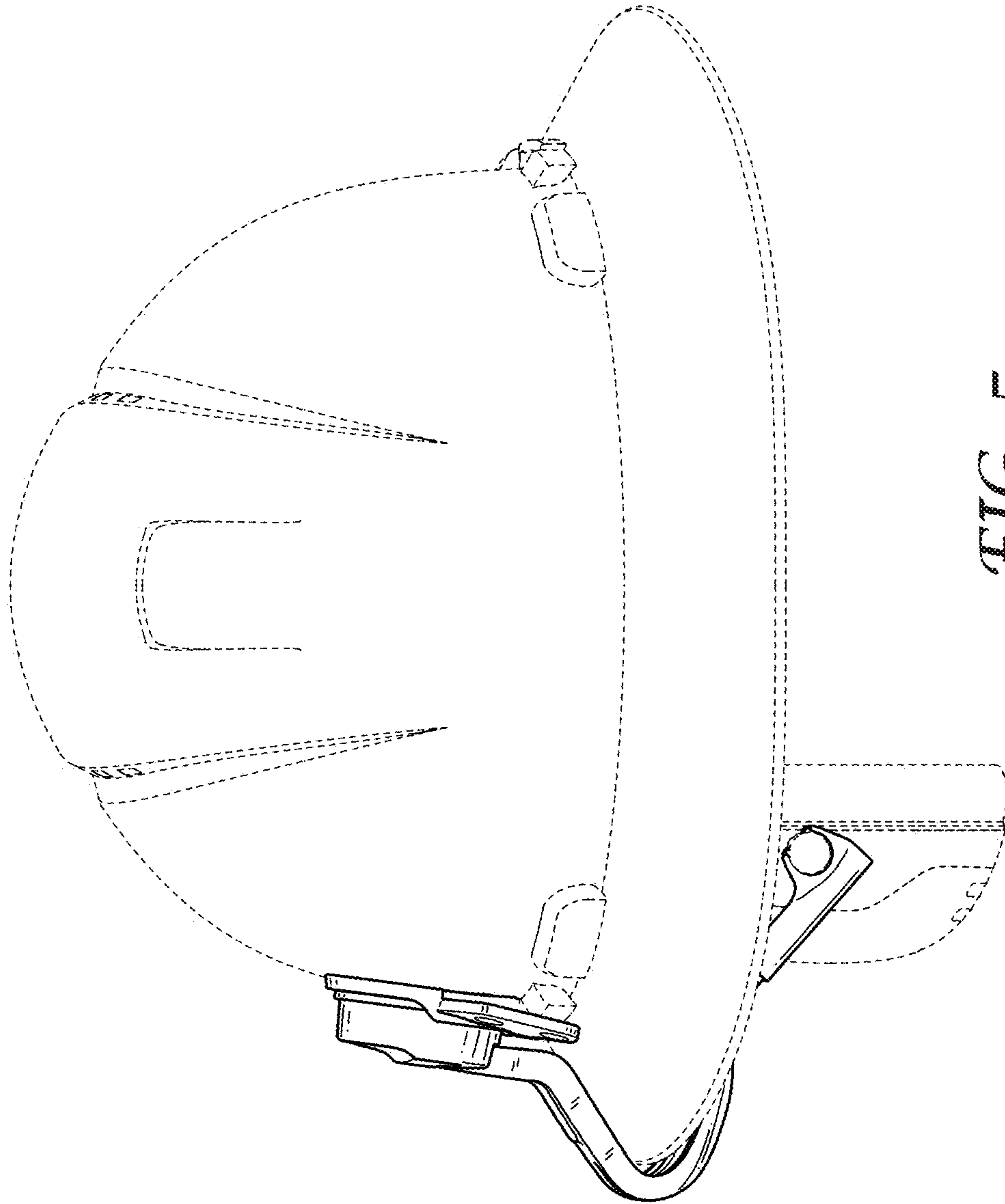


FIG. 5

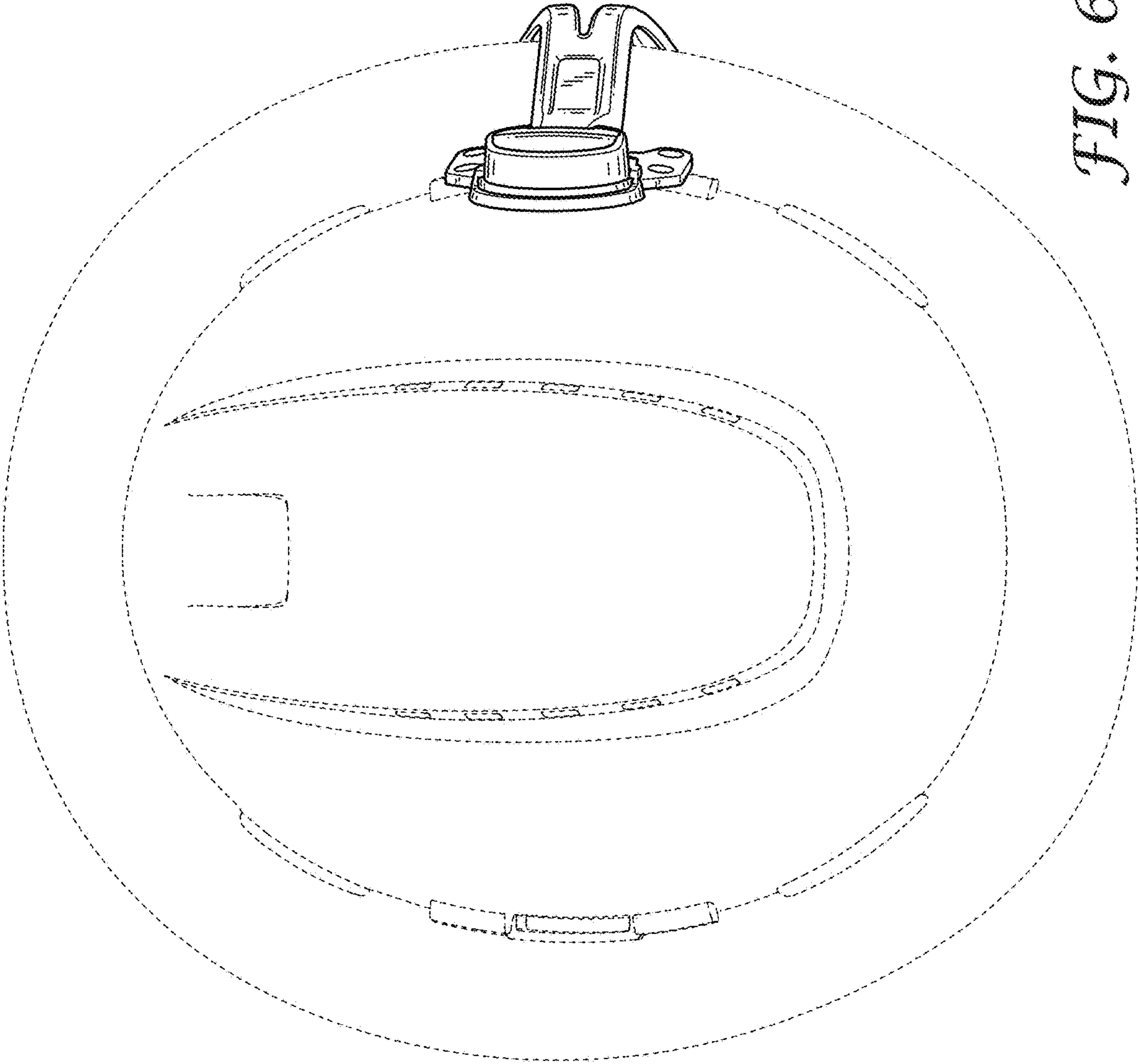


FIG. 6



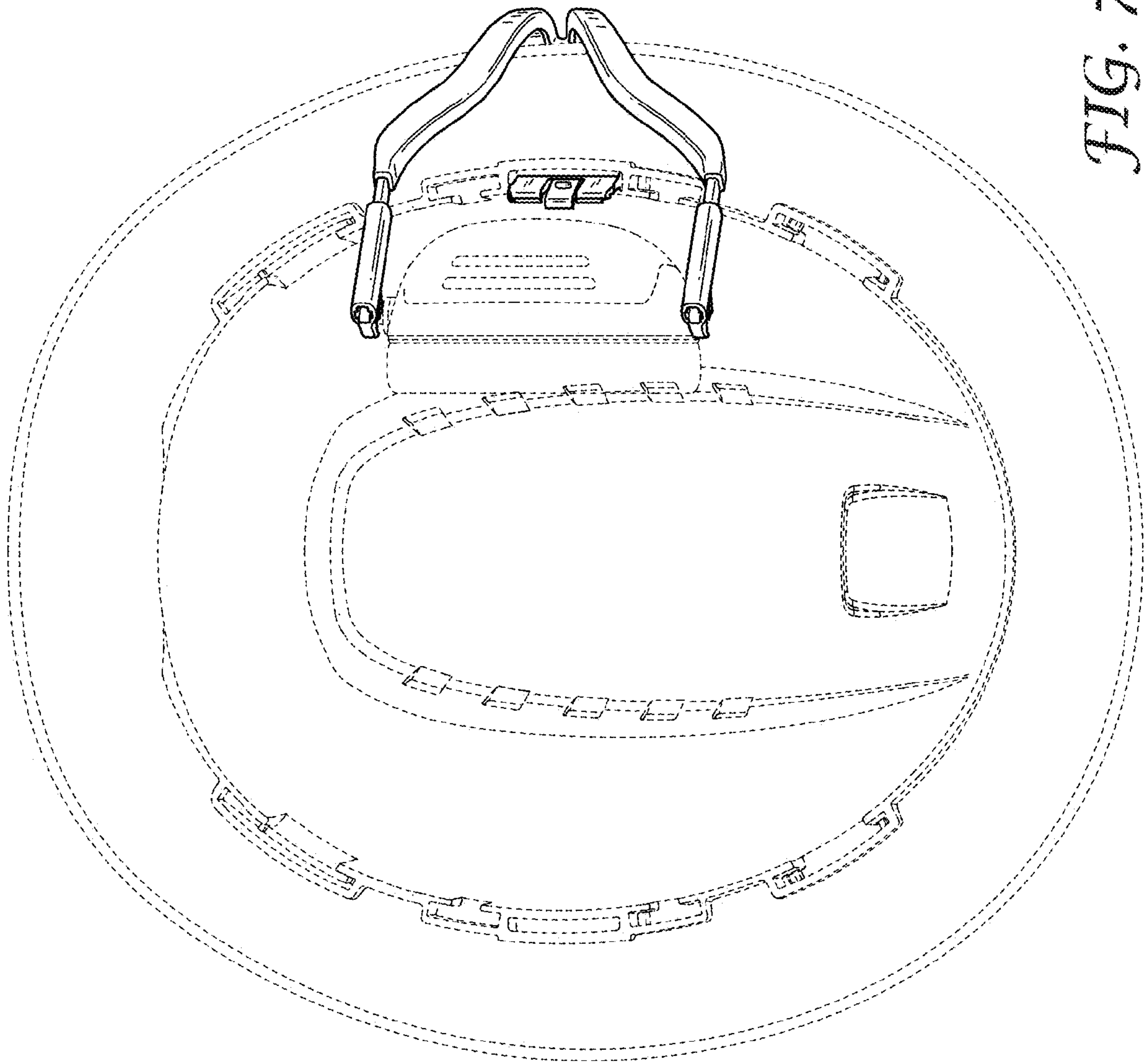


FIG. 7