



US00D876014S

(12) **United States Design Patent**
Lin et al.

(10) **Patent No.:** **US D876,014 S**
(45) **Date of Patent:** **** Feb. 18, 2020**

(54) **RECHARGEABLE HAIR CURLER**

(71) Applicant: **Dongguan Bidisco Electric Co., Ltd.**,
Dongguan (CN)

(72) Inventors: **Qionquan Lin**, Dongguan (CN);
Shenglong Wei, Dongguan (CN);
Shengquan Wang, Dongguan (CN);
Taiqiao Yin, Dongguan (CN); **Peikai**
Zhu, Dongguan (CN)

(73) Assignee: **DONGGUAN BIDISCO ELECTRIC**
CO., LTD., Dongguan (CN)

(**) Term: **15 Years**

(21) Appl. No.: **29/663,492**

(22) Filed: **Sep. 17, 2018**

(30) **Foreign Application Priority Data**

Aug. 17, 2018 (CN) 201830457570

(51) **LOC (12) Cl.** **28-03**

(52) **U.S. Cl.**
USPC **D28/35**

(58) **Field of Classification Search**

USPC D28/10, 35, 37-38
CPC A45D 2/00; A45D 2001/045; A45D 1/16;
A45D 1/04; A45D 1/18; A45D 1/06-14;
A45D 2/02-10; A45D 2/38-42; A45D
2/001-002

See application file for complete search history.

(56) **References Cited**

U.S. PATENT DOCUMENTS

D559,447 S * 1/2008 Leung D28/35
D596,797 S * 7/2009 Kwok D28/35

D605,357 S * 12/2009 Kwok D28/35
7,730,895 B2 * 6/2010 Maddocks A45D 1/06
132/224
8,232,505 B2 * 7/2012 Hottenrott A45D 1/06
132/232
D769,523 S * 10/2016 Fan D28/35
D833,070 S * 11/2018 Chandra D28/35
D835,843 S * 12/2018 Fan D28/35
D850,002 S * 5/2019 Bates D28/35
D854,245 S * 7/2019 Takemura D28/35
D861,985 S * 10/2019 Liao D28/35
2017/0164707 A1 * 6/2017 Cowdry H05B 3/06

* cited by examiner

Primary Examiner — Jennifer Rivard

(74) *Attorney, Agent, or Firm* — Hemisphere Law, PLLC;
Zhigang Ma

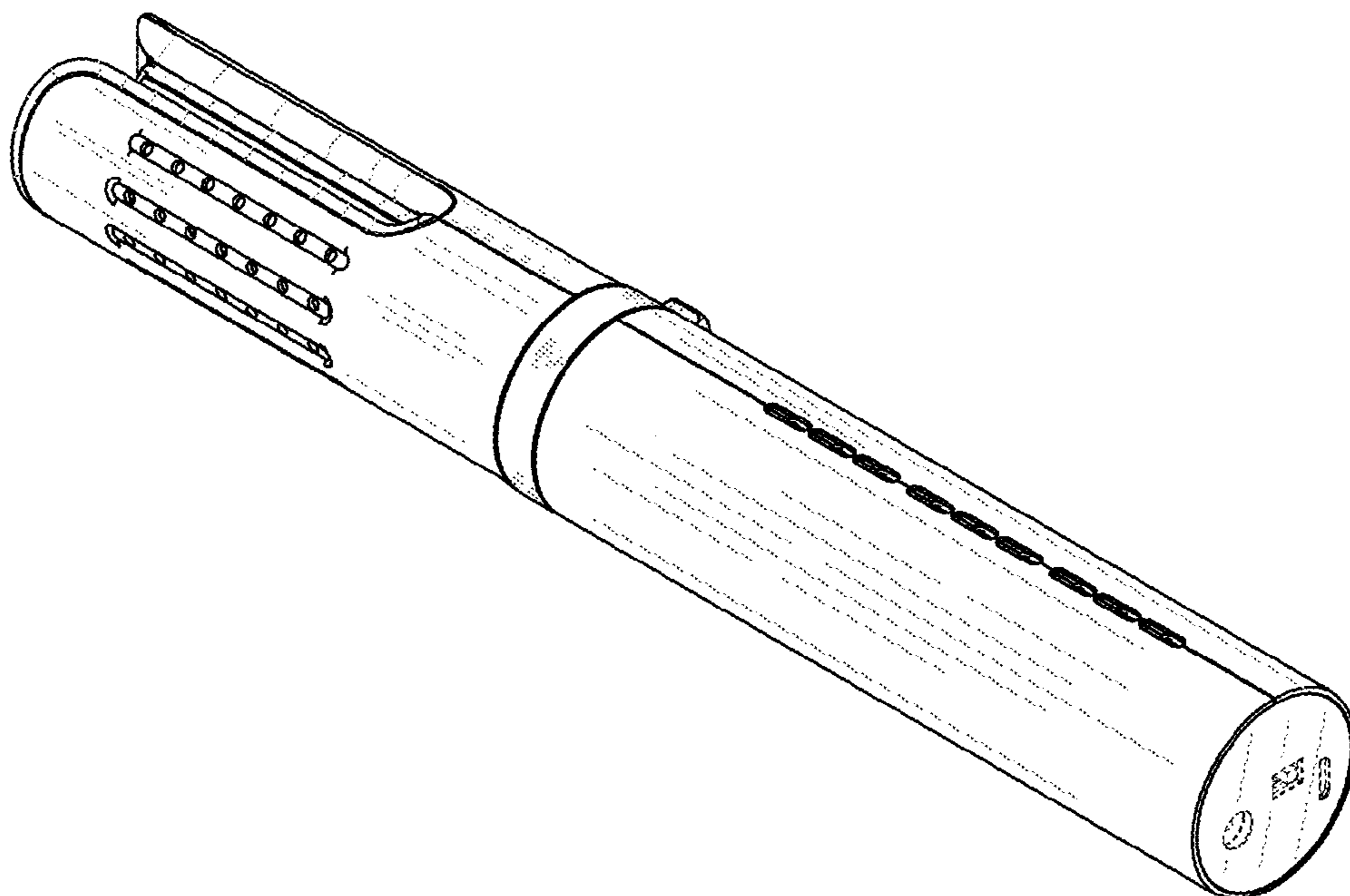
(57) **CLAIM**

The ornamental design for a rechargeable hair curler, as shown and described.

DESCRIPTION

FIG. 1 is a perspective view of a rechargeable hair curler, showing our new design;
FIG. 2 is a front view thereof;
FIG. 3 is a rear view thereof;
FIG. 4 is a left side view thereof;
FIG. 5 is a right side view thereof;
FIG. 6 is a top plan view thereof; and,
FIG. 7 is a bottom plan view thereof.
The broken lines shown are included for the purpose of illustrating portions of the rechargeable hair curler which form no part of the claimed design.

1 Claim, 4 Drawing Sheets



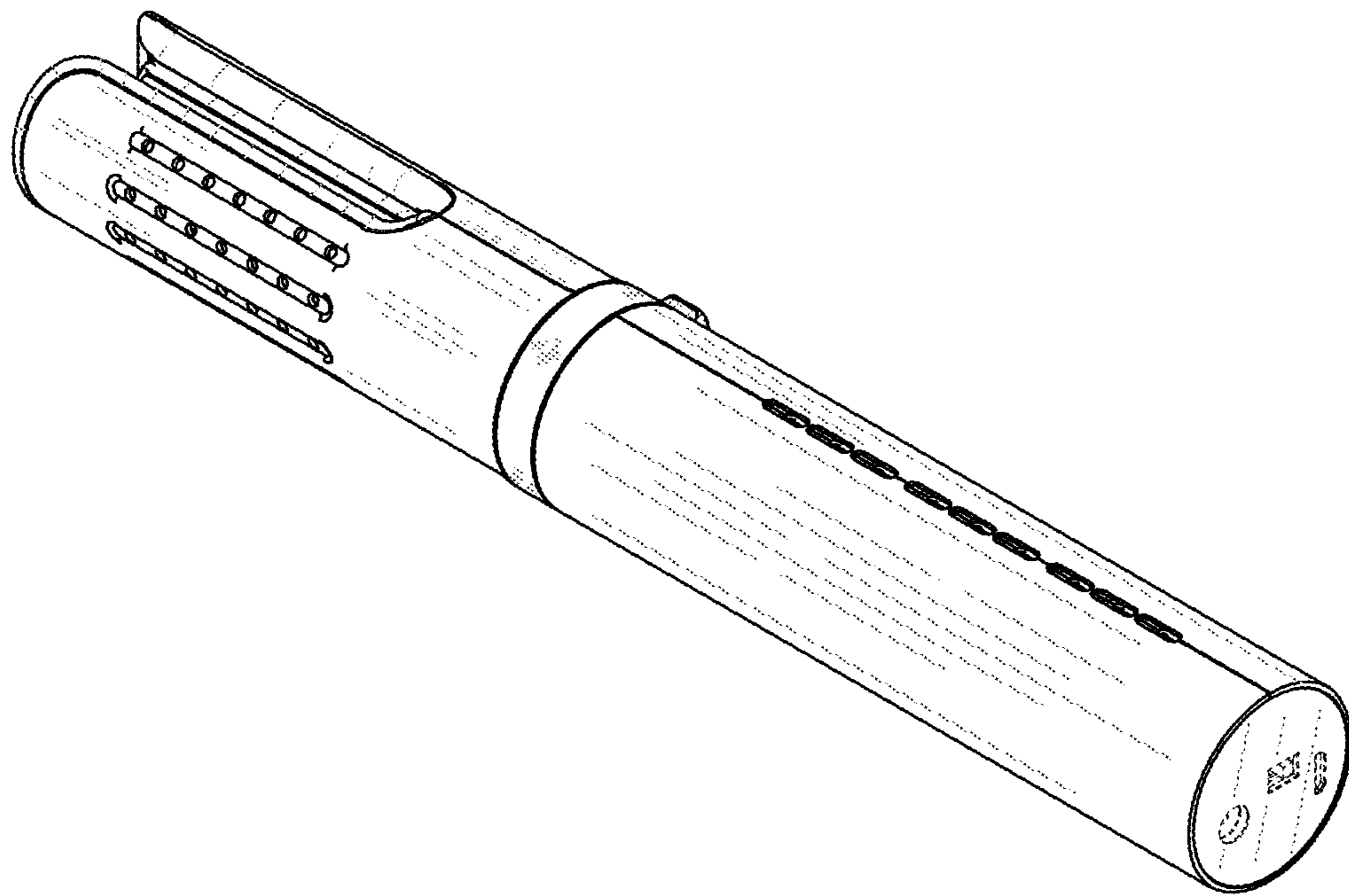


FIG.1

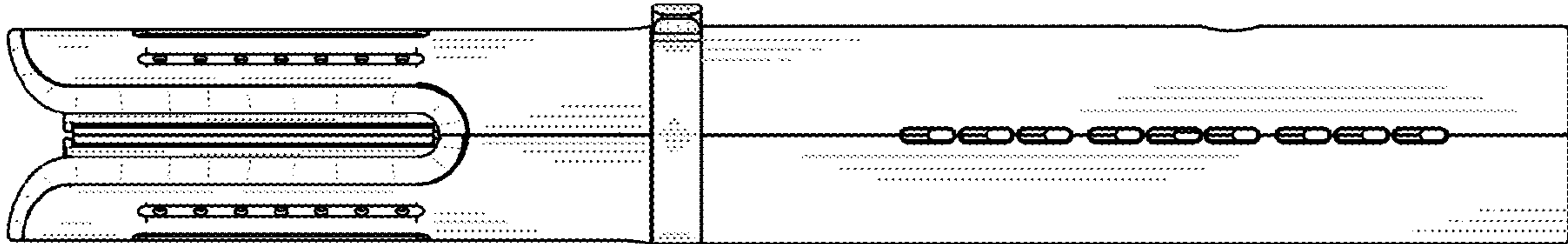


FIG.2

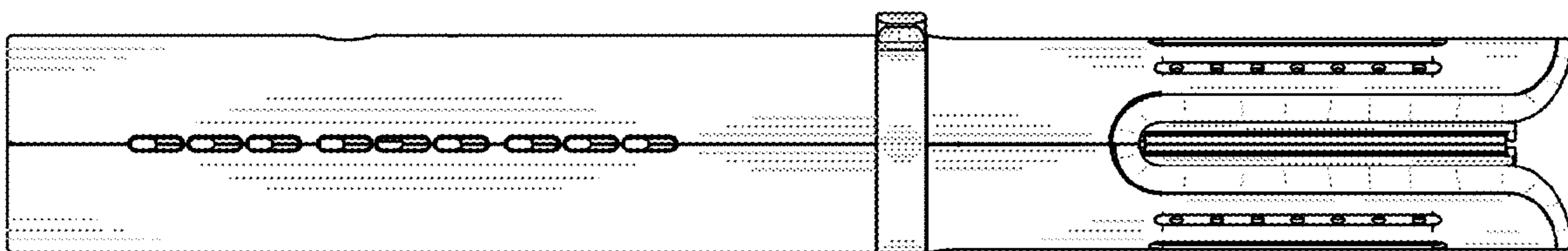


FIG.3

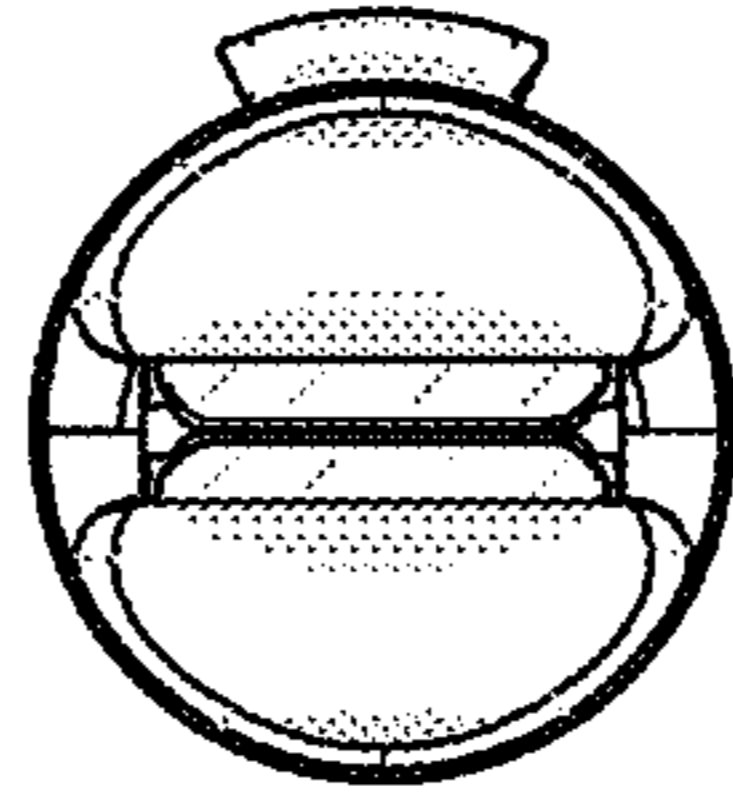


FIG. 4

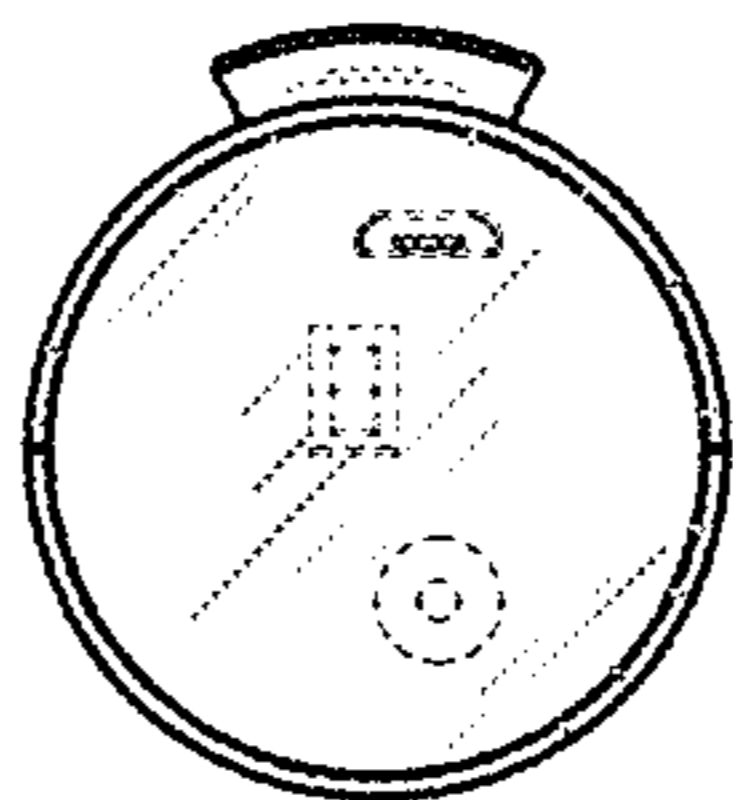


FIG. 5

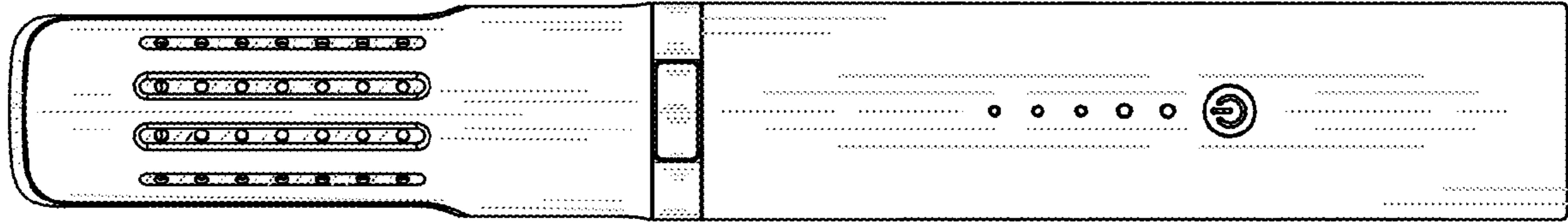


FIG.6

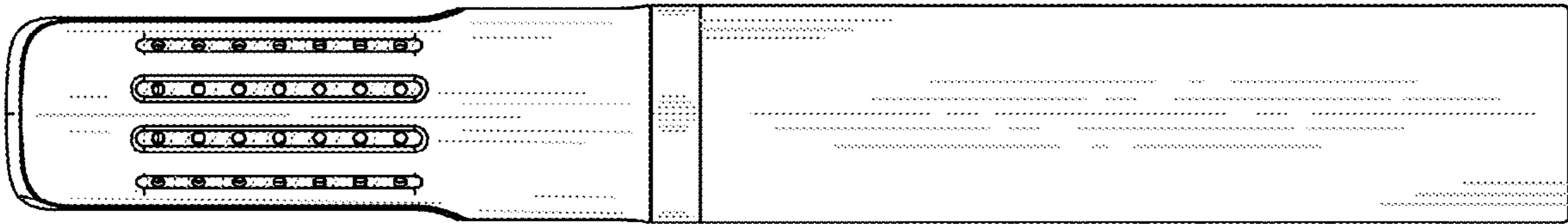


FIG.7