



US00D876013S

(12) **United States Design Patent**
Jin

(10) **Patent No.:** **US D876,013 S**

(45) **Date of Patent:** **** Feb. 18, 2020**

- (54) **HAIR IRON HEATING PLATES**
- (71) Applicant: **JCYHOLDINGS CO., LTD.**,
Seongnam-si, Gyeonggi-do (KR)
- (72) Inventor: **Kim Hyun Jin**, Seoul (KR)
- (73) Assignee: **JCYHOLDINGS CO., LTD.** (KR)
- (**) Term: **15 Years**
- (21) Appl. No.: **29/627,429**
- (22) Filed: **Nov. 27, 2017**
- (30) **Foreign Application Priority Data**
Jul. 19, 2017 (KR) 30-2017-0033347
- (51) **LOC (12) Cl.** **28-03**
- (52) **U.S. Cl.**
USPC **D28/35**
- (58) **Field of Classification Search**
USPC D28/35, 38
CPC A45D 2/001-002; A45D 1/18; A45D
1/06-14; A45D 2/38-42
See application file for complete search history.

- (56) **References Cited**
U.S. PATENT DOCUMENTS
5,934,293 A * 8/1999 Kaizuka A45D 1/12
132/224
6,223,753 B1 * 5/2001 Lo A45D 2/001
132/224
D516,242 S * 2/2006 Habibi D28/35
7,465,904 B2 * 12/2008 Kim A45D 1/04
132/228
D599,058 S * 8/2009 Kim D28/35
D606,252 S * 12/2009 Leung D28/35
D643,974 S * 8/2011 Renault D28/35
D698,486 S * 1/2014 Deng D28/35

- 8,967,159 B1 * 3/2015 Jenkins A45D 2/001
132/223
D849,322 S * 5/2019 Grienay D28/35
2009/0107518 A1 * 4/2009 Cohen A45D 2/002
132/224
2013/0146081 A1 * 6/2013 Chan A45D 2/001
132/229
2017/0231350 A1 * 8/2017 Moore A45D 2/40
132/224
2018/0177273 A1 * 6/2018 Jeong A45D 1/00
2018/0213908 A1 * 8/2018 Lee A45D 2/001
2018/0255897 A1 * 9/2018 Kelley A45D 2/002

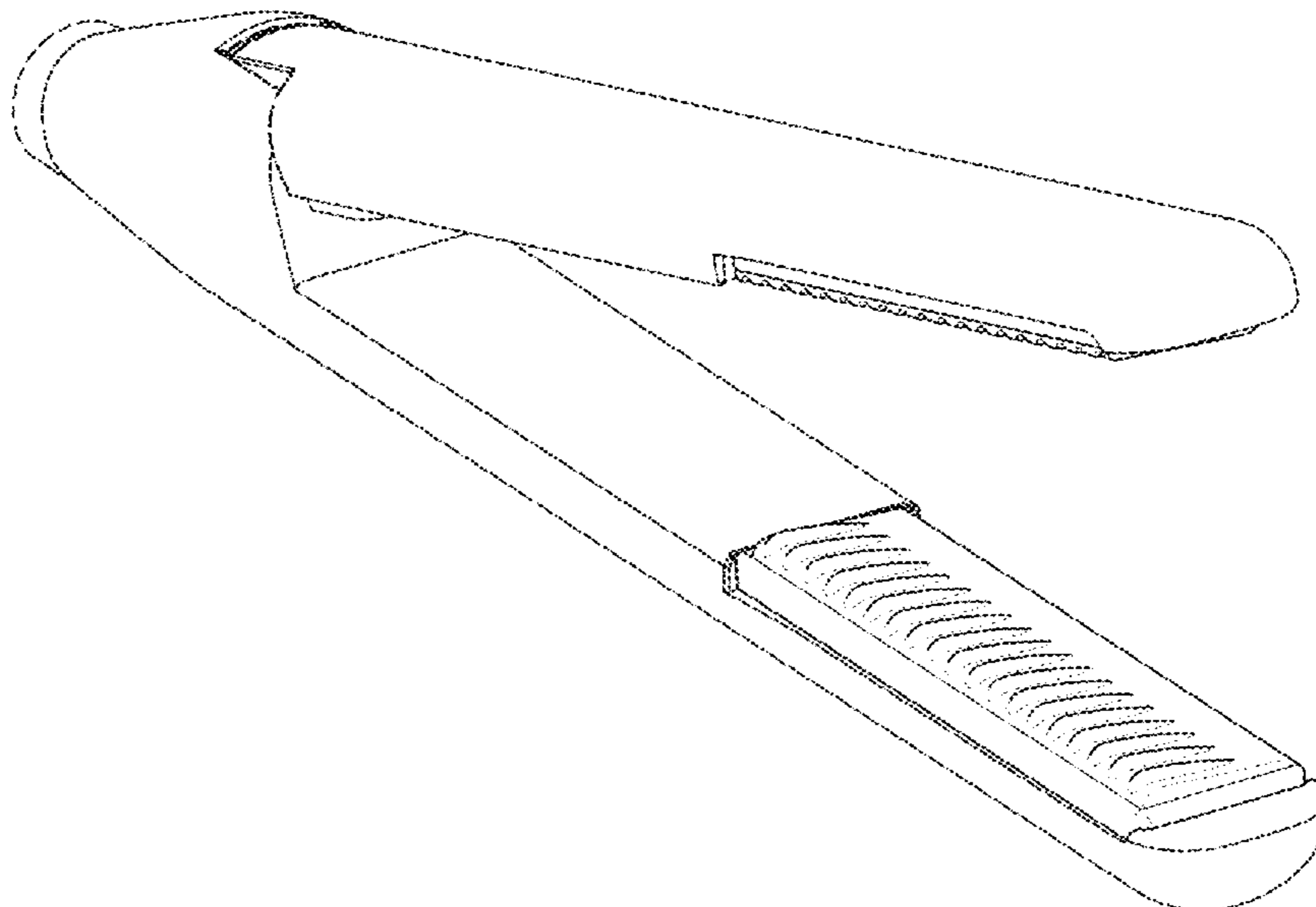
* cited by examiner

Primary Examiner — Jennifer Rivard
(74) *Attorney, Agent, or Firm* — Christopher M. Scherer;
DeWitt LLP

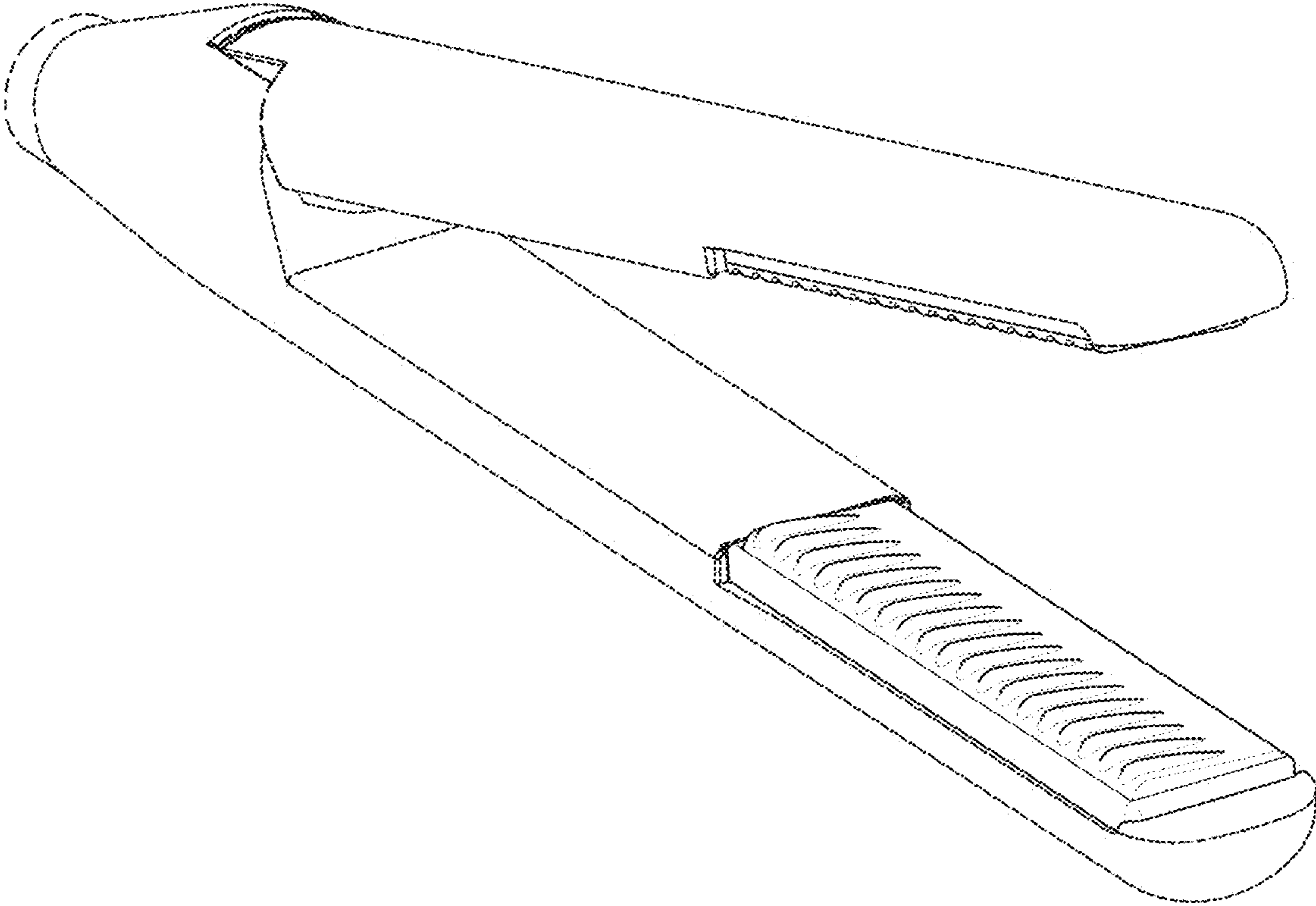
(57) **CLAIM**
The ornamental design for a hair iron heating plates, as shown and described.

DESCRIPTION
FIG. 1 is a top perspective view showing an embodiment of a new design for a hair iron heating plates;
FIG. 2 is a front view thereof;
FIG. 3 is a back view thereof;
FIG. 4 is a left side view thereof;
FIG. 5 is a right side view thereof;
FIG. 6 is a top view thereof;
FIG. 7 is a bottom view thereof;
FIG. 8 is an enlarged right side view of the hair iron in a second, closed position; and,
FIG. 9 is a top perspective view showing the embodiment with an enlarged view showing a projection of a heat plat portion of the hair iron heating plates.
The dashed lines showing portions of the hair iron heating plates are included for the purpose of illustrating environment and form no part of the claimed invention.

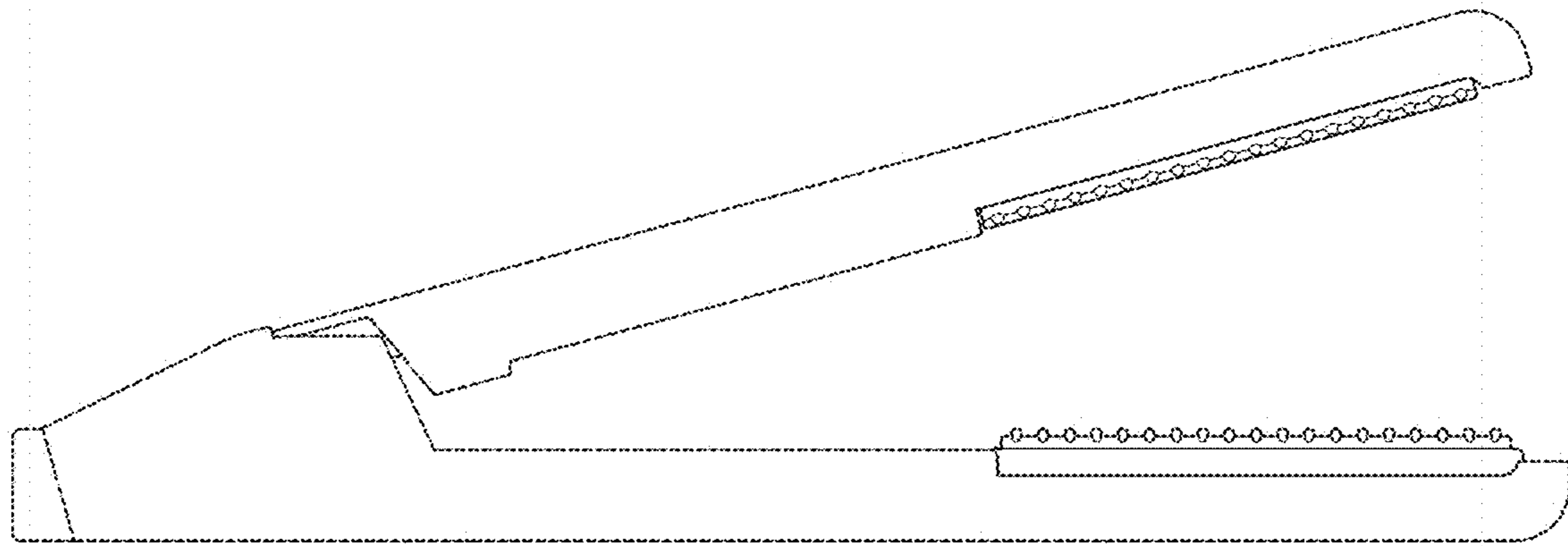
1 Claim, 5 Drawing Sheets



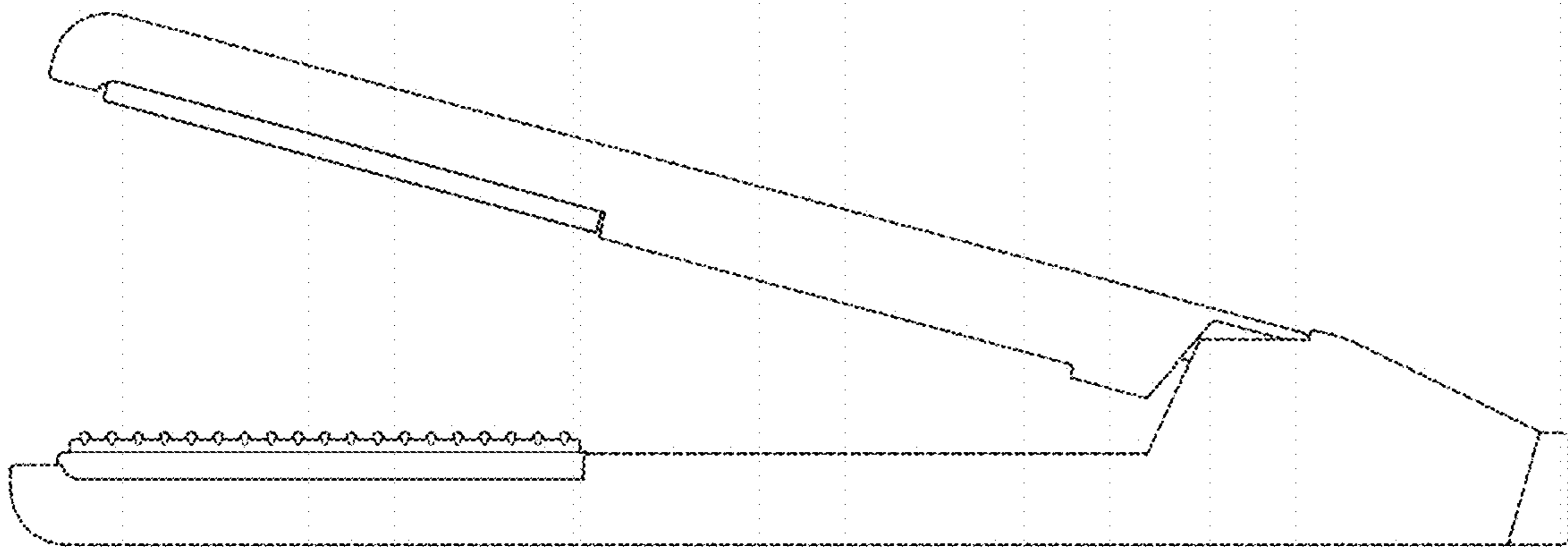
[Fig. 1]



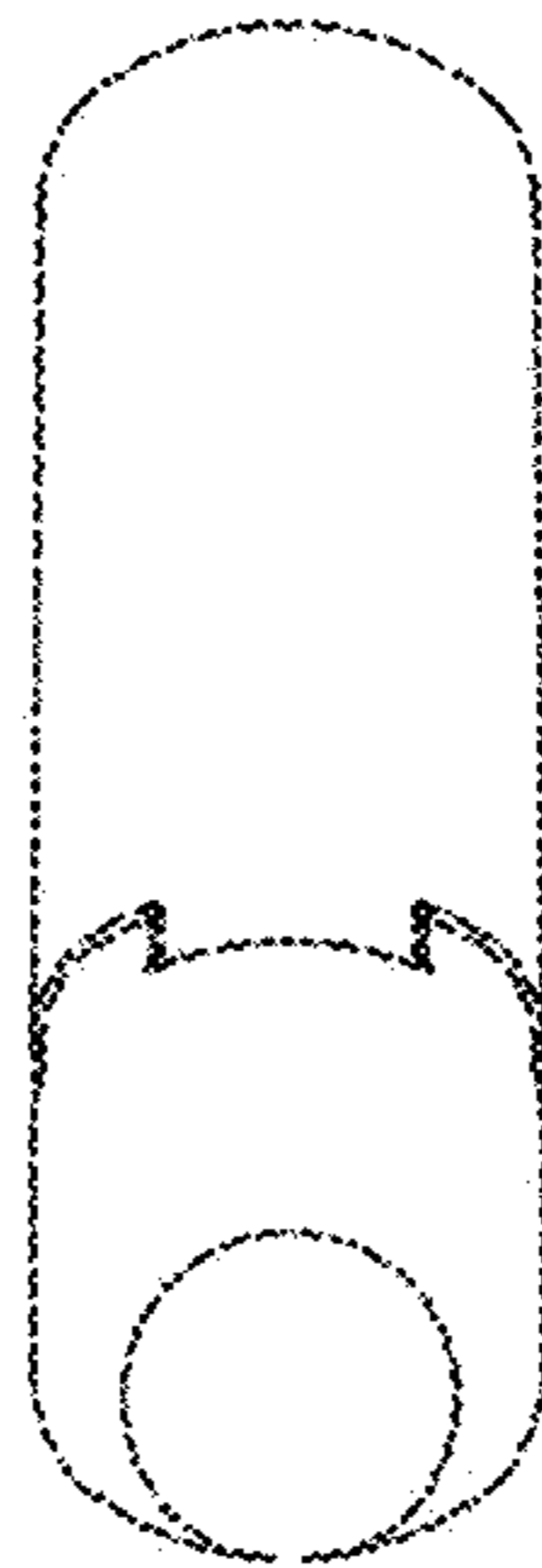
[Fig. 2]



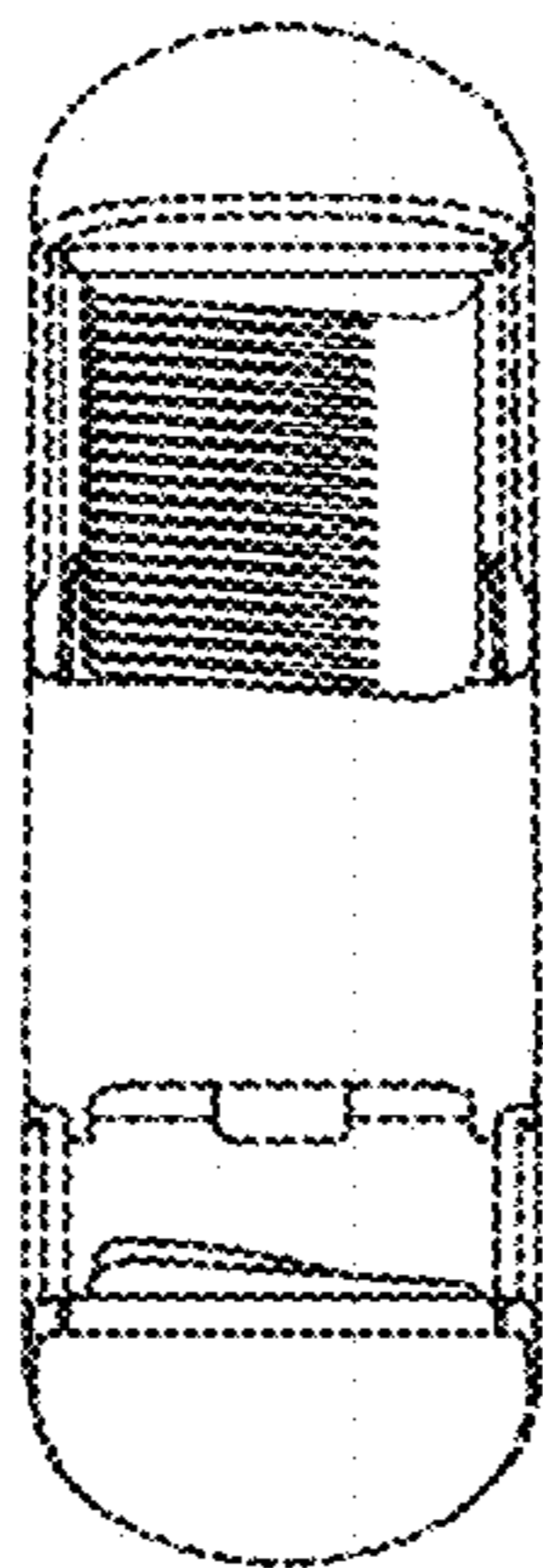
[Fig. 3]



[Fig. 4]



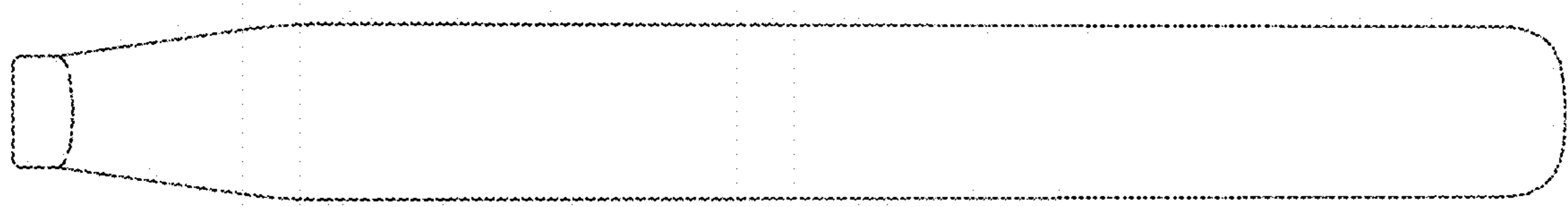
[Fig. 5]



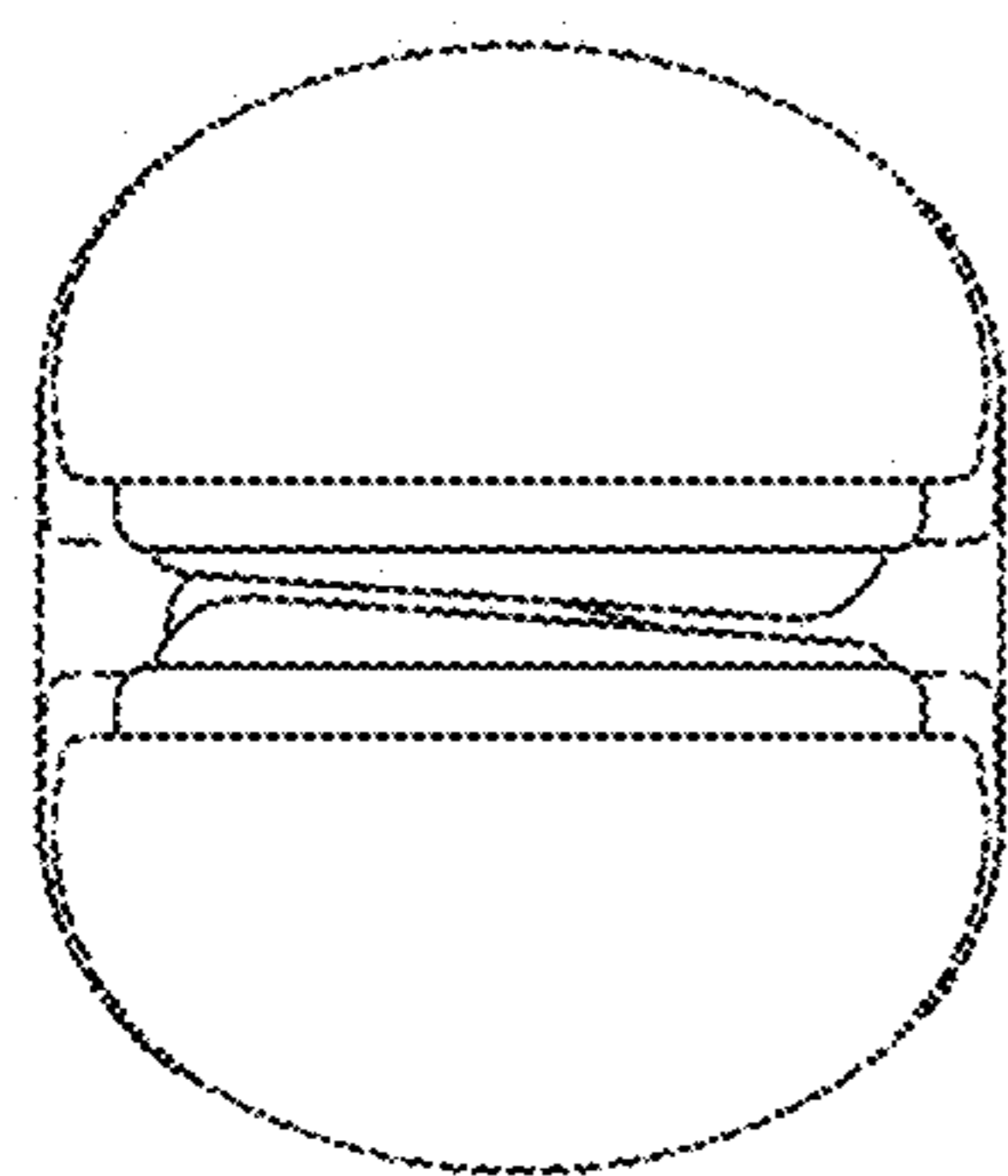
[Fig. 6]



[Fig. 7]



[Fig. 8]



[Fig. 9]

