



US00D876012S

(12) **United States Design Patent** (10) **Patent No.:** **US D876,012 S**  
**Ko** (45) **Date of Patent:** **\*\* \*Feb. 18, 2020**

- (54) **COMB FOR DYEING**
- (71) Applicant: **Hair Friends Co., Ltd**, Jeju (KR)
- (72) Inventor: **Hee Seog Ko**, Jeju (KR)
- (73) Assignee: **HAIR FRIENDS CO., LTD.**, Jeju-si (KR)
- (\*) Notice: This patent is subject to a terminal disclaimer.
- (\*\*) Term: **15 Years**
- (21) Appl. No.: **29/543,135**
- (22) Filed: **Oct. 21, 2015**
- (51) **LOC (12) Cl.** ..... **28-03**
- (52) **U.S. Cl.**  
USPC ..... **D28/21**
- (58) **Field of Classification Search**  
USPC ..... D4/117; D28/20–21, 28–31, 7, 18, D28/22–27; D30/158–159  
CPC ..... A45D 24/00; A45D 24/02; A45D 24/04; A45D 24/10; A45D 24/12; A45D 24/22  
See application file for complete search history.

- (56) **References Cited**  
U.S. PATENT DOCUMENTS
- |                |         |           |       |                       |
|----------------|---------|-----------|-------|-----------------------|
| D244,882 S *   | 6/1977  | Long      | ..... | D28/18                |
| D245,453 S *   | 8/1977  | Cousins   | ..... | D28/18                |
| D253,849 S *   | 1/1980  | Schroeder | ..... | D28/24                |
| D377,694 S *   | 1/1997  | Smal      | ..... | D28/18                |
| D399,602 S *   | 10/1998 | Ratnam    | ..... | D28/25                |
| D428,525 S *   | 7/2000  | Gazzo     | ..... | D28/7                 |
| D429,378 S *   | 8/2000  | Wu        | ..... | D28/24                |
| 6,260,557 B1 * | 7/2001  | Yarbrough | ..... | A45D 24/22<br>132/114 |
| D450,884 S *   | 11/2001 | Yoshida   | ..... | D28/20                |
| D461,281 S *   | 8/2002  | Lee       | ..... | D28/24                |
| D462,808 S *   | 9/2002  | Swaner    | ..... | D28/20                |
| D466,250 S *   | 11/2002 | Lee       | ..... | D28/25                |

- |                |         |              |       |                         |
|----------------|---------|--------------|-------|-------------------------|
| D469,575 S *   | 1/2003  | Grace        | ..... | D28/25                  |
| D472,346 S *   | 3/2003  | Lee          | ..... | D28/24                  |
| D474,561 S *   | 5/2003  | Glucksman    | ..... | D28/25                  |
| D493,914 S *   | 8/2004  | Vena         | ..... | D28/20                  |
| D531,753 S *   | 11/2006 | Davis        | ..... | D28/20                  |
| D611,195 S *   | 3/2010  | Gieux        | ..... | D28/7                   |
| 8,316,863 B2 * | 11/2012 | De Laforcade | ..... | B29C 45/2626<br>132/112 |
| D684,315 S *   | 6/2013  | Tsai         | ..... | D28/30                  |
| D702,880 S *   | 4/2014  | Tsai         | ..... | D28/30                  |
- (Continued)

**OTHER PUBLICATIONS**

Hot Selling New Fashion Design Beauty hair chalk hair color comb Magic Hair Dye Comb, posted date unknown, alibaba.com, Copyright © 1999-2016, site visited Jul. 15, 2016, Available from Internet, <[https://www.alibaba.com/product-detail/Hot-Selling-New-Fashion-Design-Beauty\\_60297029635.html](https://www.alibaba.com/product-detail/Hot-Selling-New-Fashion-Design-Beauty_60297029635.html)>.\*

(Continued)

*Primary Examiner* — Cathron C Brooks  
*Assistant Examiner* — Sharon S Oum  
(74) *Attorney, Agent, or Firm* — STIP Law Group, LLC

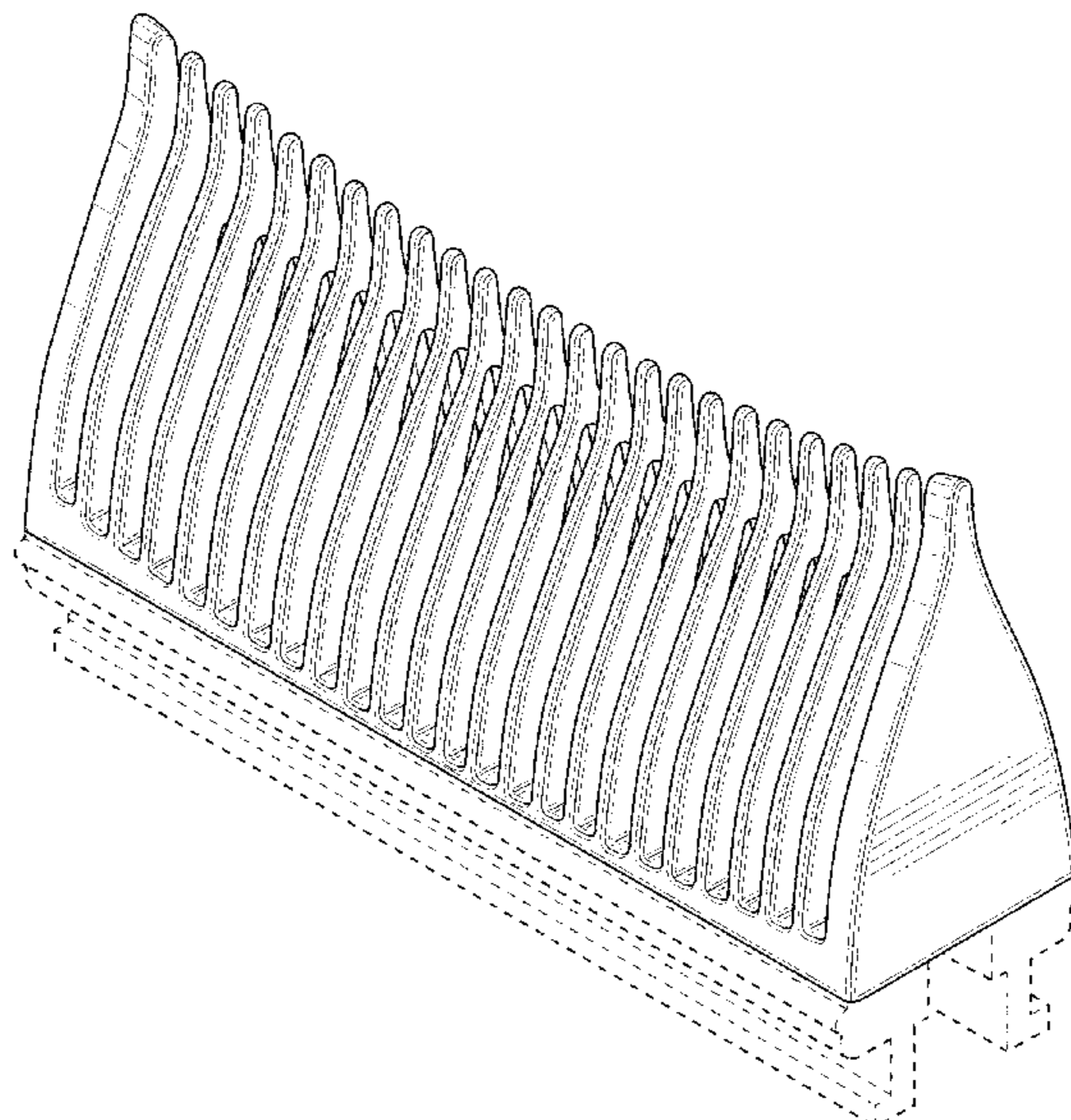
(57) **CLAIM**

The ornamental design for a comb for dyeing, as shown and described.

**DESCRIPTION**

FIG. 1 is a perspective view of the comb for dyeing, illustrating the whole configuration of the present design. FIG. 2 is a rear view of the comb for dyeing of FIG. 1. FIG. 3 is a right side view of the comb for dyeing of FIG. 1. FIG. 4 is a top view of the comb for dyeing of FIG. 1; and, FIG. 5 is a bottom view of the comb for dyeing of FIG. 1. The broken lines illustrate portions of the comb for dyeing that form no part of the claimed design.

**1 Claim, 5 Drawing Sheets**



(56)

**References Cited**

U.S. PATENT DOCUMENTS

D706,977 S \* 6/2014 Langley ..... D28/7  
2001/0029960 A1\* 10/2001 Asano ..... A45D 24/22  
132/116  
2012/0034015 A1\* 2/2012 Kudo ..... A45D 24/22  
401/143  
2014/0056636 A1\* 2/2014 Gueret ..... A45D 19/02  
401/268  
2014/0251363 A1\* 9/2014 Wagner ..... A45D 24/22  
132/202  
2015/0136163 A1\* 5/2015 Chininis ..... A45D 24/007  
132/119.1

OTHER PUBLICATIONS

3 in 1 Hair Straightener Comb, posted date unknown, aliexpress.com, Copyright © 2010-2016, site visited Jul. 19, 2016, Available from Internet, <<http://www.aliexpress.com/item/3-in-1-Hair-Straightener-Comb-Hair-Straightener-Brush-Tourmaline-Ceramic-Negative-Ions-Hair-Straightener-Reto/32501038633.html>>.\*

\* cited by examiner

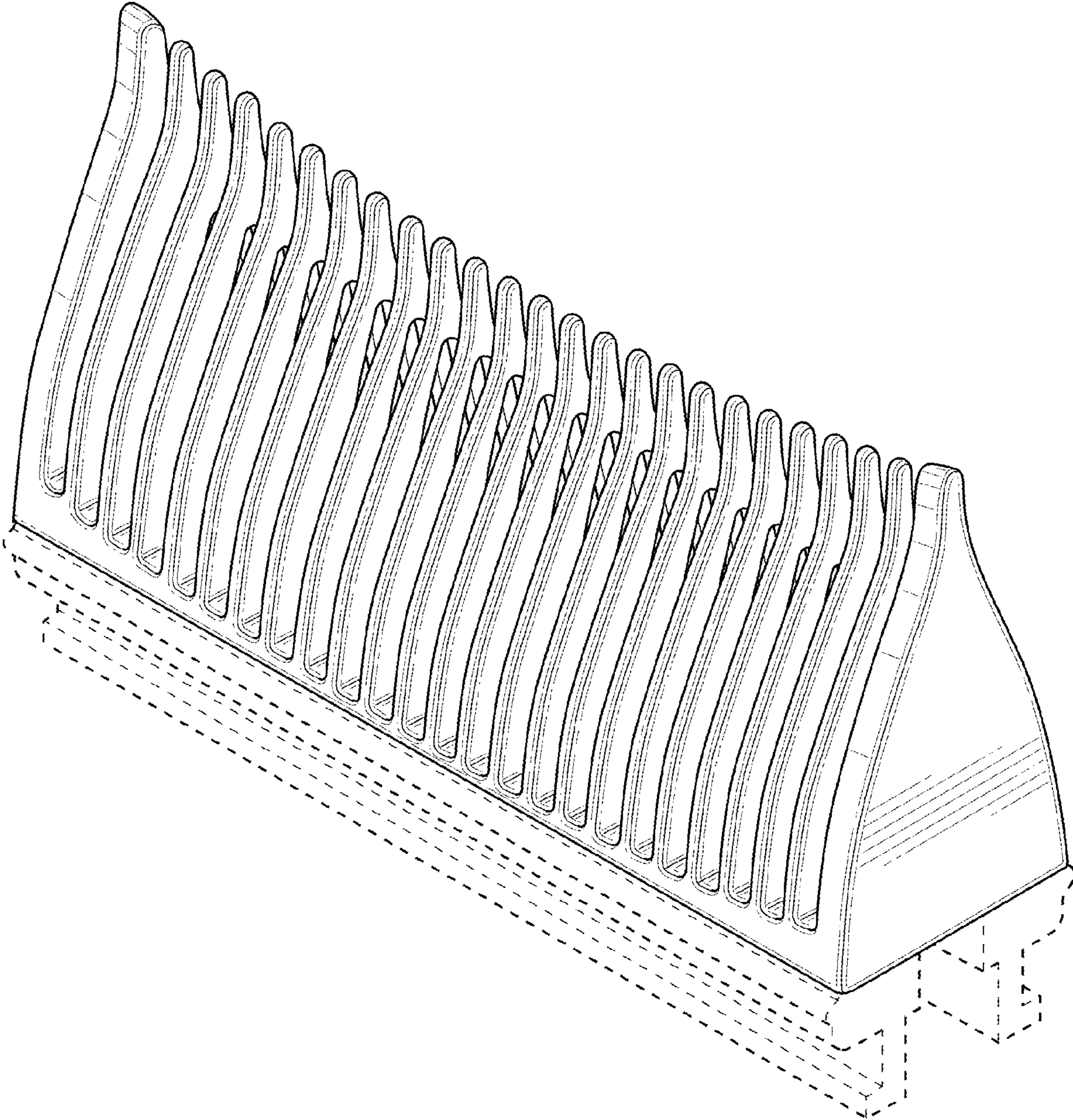


FIG. 1

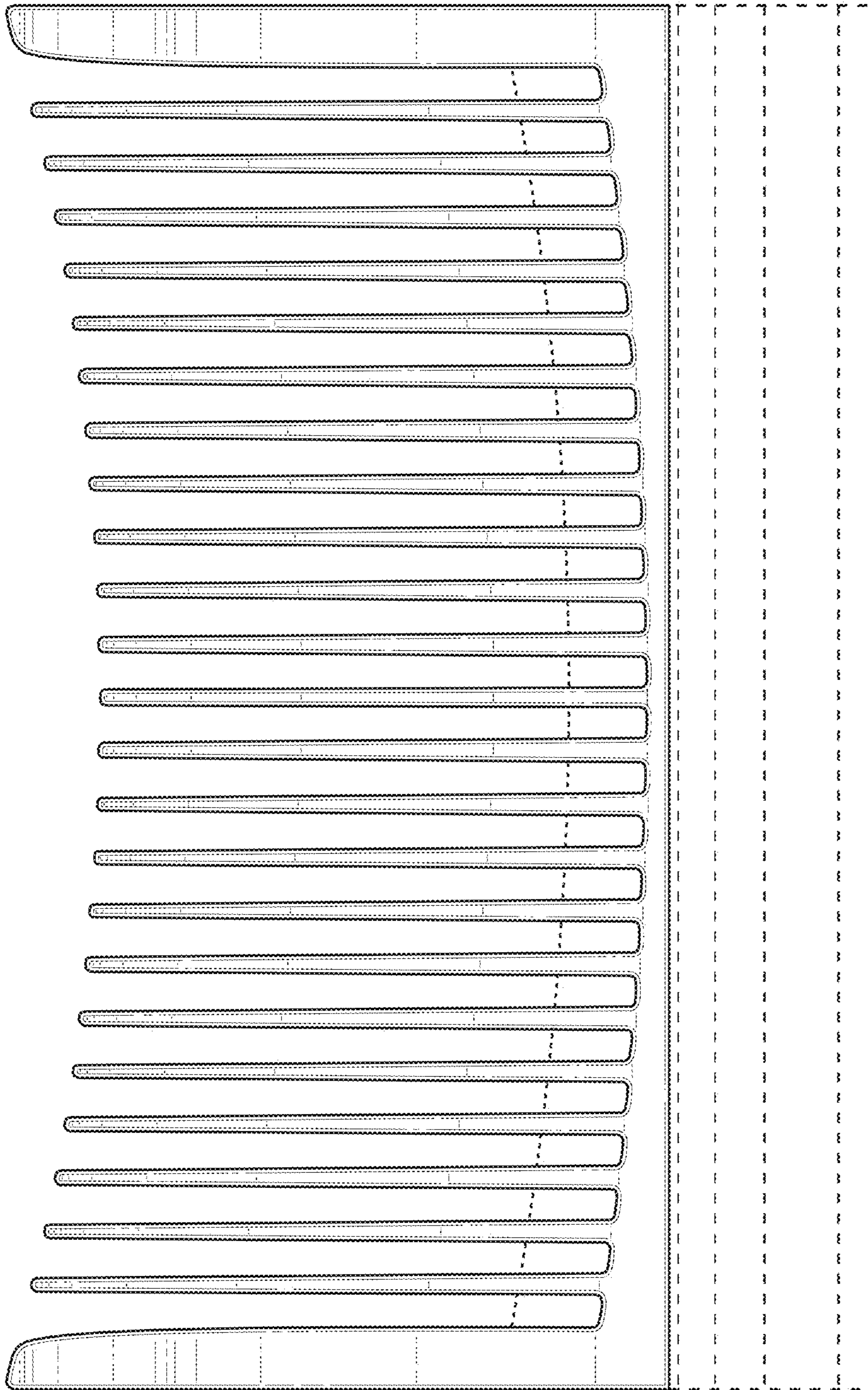


FIG. 2

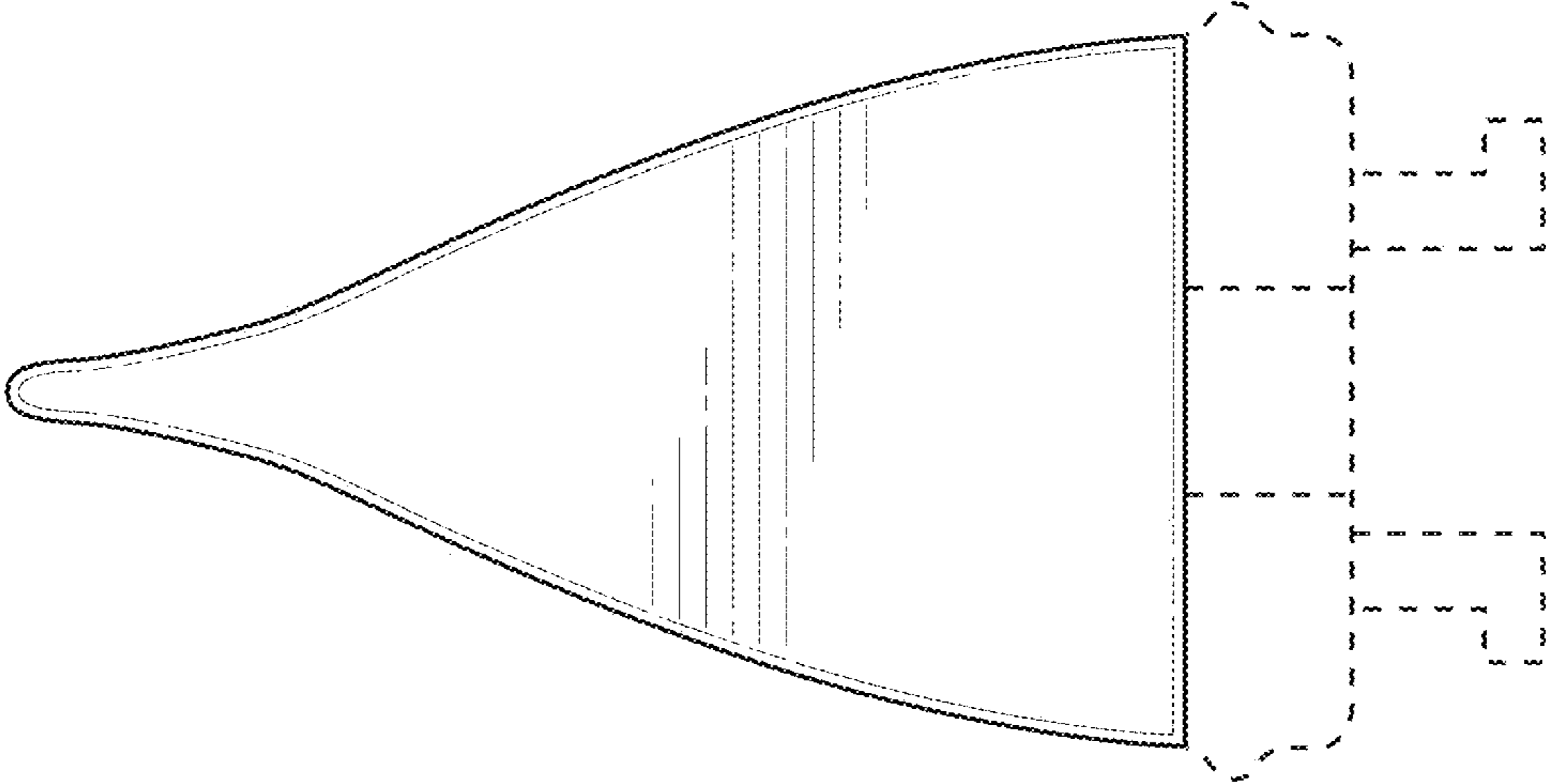


FIG. 3

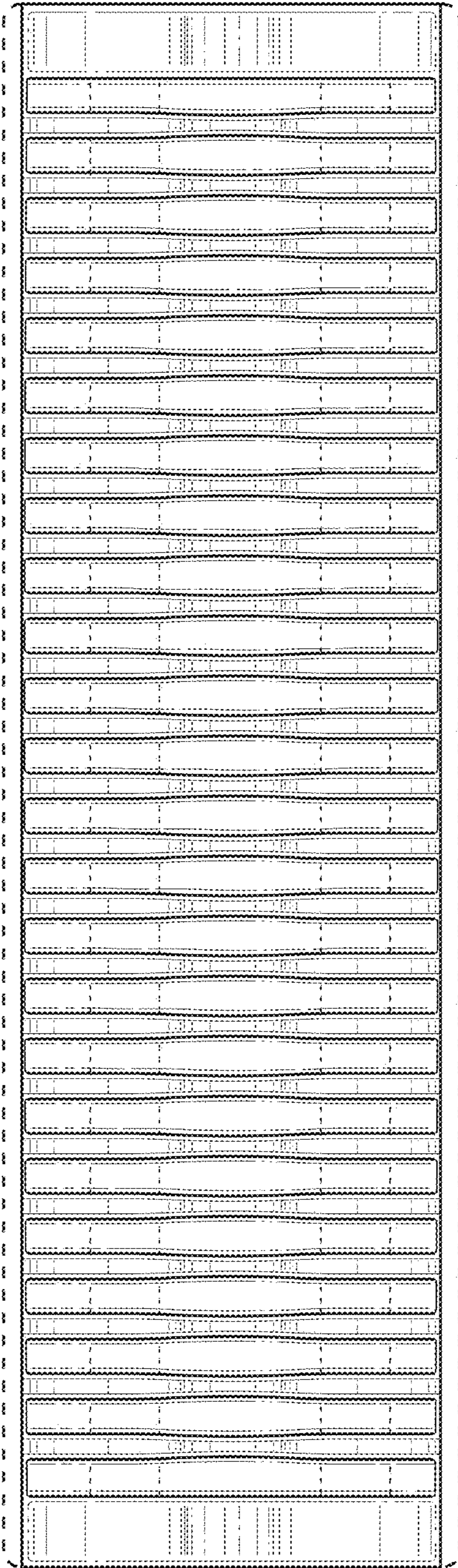
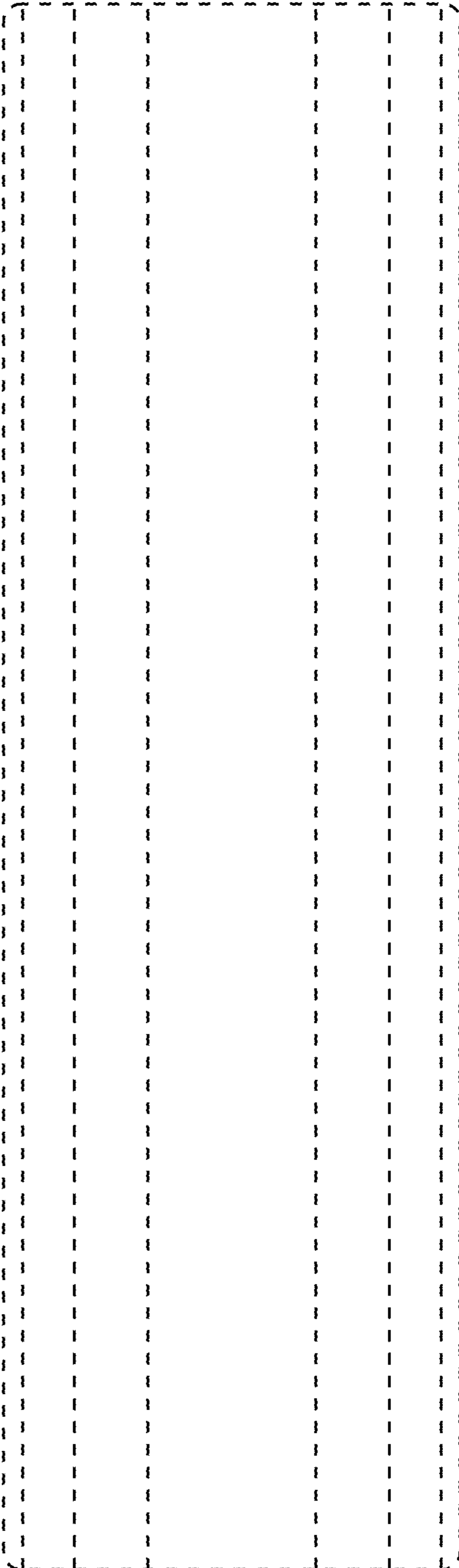


FIG. 4



**FIG. 5**