



US00D876007S

(12) **United States Design Patent** (10) **Patent No.:** **US D876,007 S**  
**Fornarelli** (45) **Date of Patent:** **\*\* Feb. 18, 2020**

(54) **HANDLE FOR A VAPORIZER**

(71) Applicant: **Thomas Fornarelli**, Chicago, IL (US)

(72) Inventor: **Thomas Fornarelli**, Chicago, IL (US)

(73) Assignee: **DB INNOVATION INC.**, Chicago, IL (US)

(\*\*) Term: **15 Years**

(21) Appl. No.: **29/594,494**

(22) Filed: **Feb. 18, 2017**

**Related U.S. Application Data**

(63) Continuation-in-part of application No. 29/569,895, filed on Jul. 1, 2016, now Pat. No. Des. 825,098, and (Continued)

(51) **LOC (12) Cl.** ..... **27-07**

(52) **U.S. Cl.**  
USPC ..... **D27/167**

(58) **Field of Classification Search**  
USPC ..... D27/100, 101, 102–105, 114, 137, 139, D27/141–144, 152, 153, 154, 155, 160, (Continued)

(56) **References Cited**

**U.S. PATENT DOCUMENTS**

D87,476 S \* 8/1932 Mattison ..... D27/192  
D148,239 S \* 12/1947 Harper ..... D27/167  
(Continued)

**FOREIGN PATENT DOCUMENTS**

EM 002679795-0001 S 4/2016  
JP D1247460 S 8/2005  
WO 2016005602 A1 1/2016

**OTHER PUBLICATIONS**

Minimalist wood brass double ring . By RongDesigns. listed Apr. 23, 2019. found online [Jul. 3, 2019] <https://www.etsy.com/listing/>

226945122/minimalist-wood-brass-double-ring-two?gpla=1&gao=1&&utm\_source=google&utm\_medium=cpc&utm\_campaign=shopping\_us\_structurestest2019\_a-jewelry-rings-other&utm\_custom1=4b77bb69-0c7f.\*

*Primary Examiner* — Marissa J Cash

(74) *Attorney, Agent, or Firm* — Flener IP & Business Law; Zareefa B. Flener

(57) **CLAIM**

The ornamental design for a handle for a vaporizer, as shown and described.

**DESCRIPTION**

FIG. 1 is a perspective view of a handle for a vaporizer, showing my new design;

FIG. 2 is a left elevational view of the handle for a vaporizer of FIG. 1;

FIG. 3 is a front elevational view of the handle for a vaporizer of FIG. 1;

FIG. 4 is a right elevational view of the handle for a vaporizer of FIG. 1;

FIG. 5 is a back elevational view of the handle for a vaporizer of FIG. 1;

FIG. 6 is a top plan view of the handle for a vaporizer of FIG. 1;

FIG. 7 is a bottom plan view of the handle for a vaporizer of FIG. 1;

FIG. 8 is a perspective view of a second embodiment for a handle for a vaporizer, showing my new design;

FIG. 9 is a right elevational view of the handle for a vaporizer of FIG. 8;

FIG. 10 is a front elevational view of the handle for a vaporizer of FIG. 8;

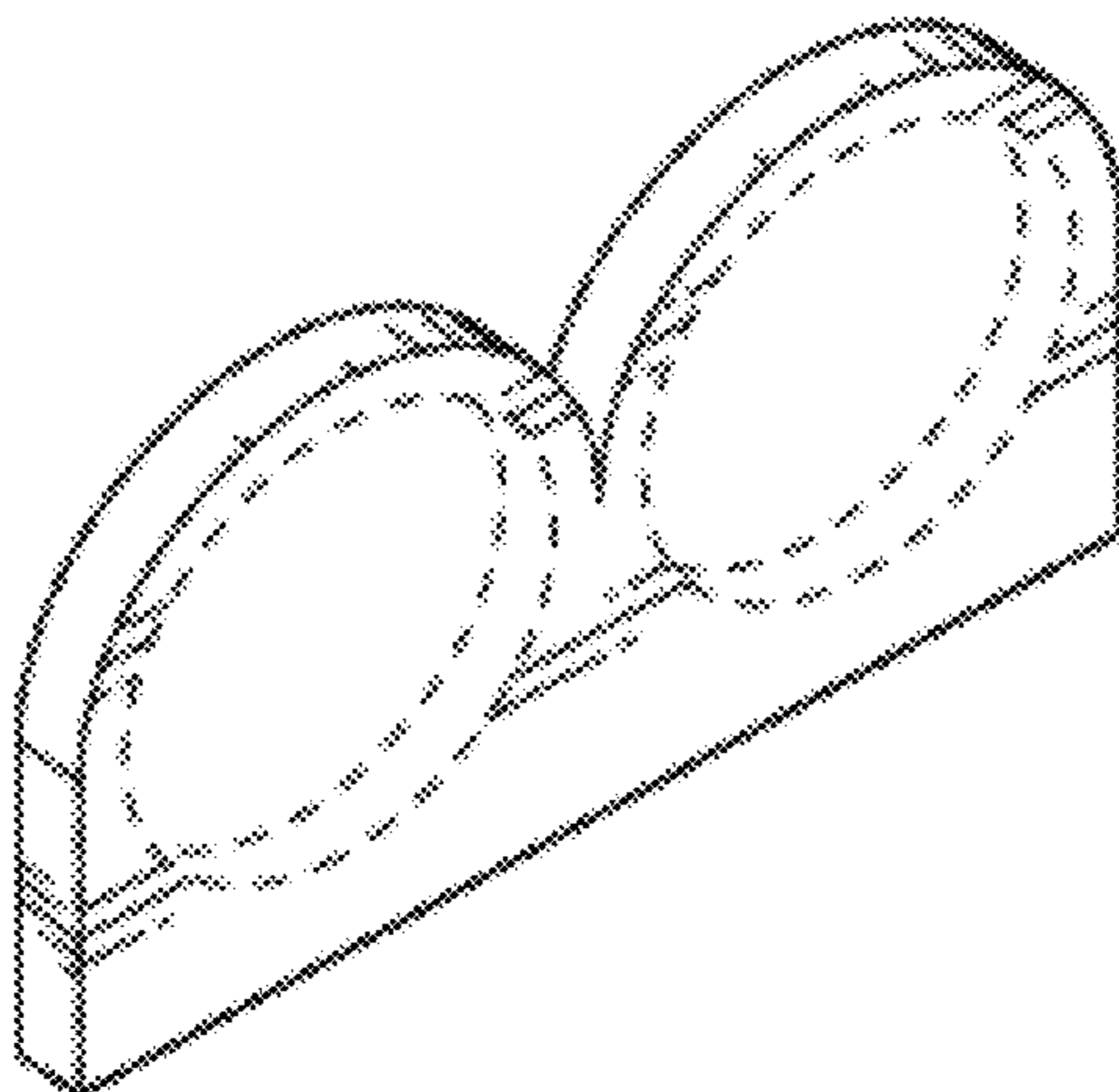
FIG. 11 is a left elevational view of the handle for a vaporizer of FIG. 8;

FIG. 12 is a back elevational view of the handle for a vaporizer of FIG. 8;

FIG. 13 is a top plan view of the handle for a vaporizer of FIG. 8; and,

FIG. 14 is a bottom plan view of the handle for a vaporizer of FIG. 8.

(Continued)



The broken line showing is for purposes of illustrating portions of the handle for a vaporizer that forms no part of the claimed design.

**1 Claim, 2 Drawing Sheets**

**Related U.S. Application Data**

a continuation-in-part of application No. 29/569,896, filed on Jul. 1, 2016, now Pat. No. Des. 816,267.

(58) **Field of Classification Search**

USPC ..... D27/161, 162-196, 136, 128; D23/366; D7/416; D24/110; D8/371, 380, 499; D32/25; D15/199; D9/626, 349, 432; D11/143, 146

CPC ..... A24F 47/002; A24F 47/00; A24F 3/02; A24C 5/44; A24C 5/425

See application file for complete search history.

(56) **References Cited**

U.S. PATENT DOCUMENTS

D248,877 S \* 8/1978 Harris ..... D27/159  
 D305,214 S \* 12/1989 Campbell ..... D11/26  
 D392,069 S \* 3/1998 Rowland ..... D27/183  
 D427,433 S \* 7/2000 Leibeck ..... D27/189  
 6,234,167 B1 5/2001 Cox et al.  
 6,260,554 B1 \* 7/2001 Rowland ..... A24F 1/26  
 131/173  
 6,298,857 B1 \* 10/2001 Schmidt ..... A24F 13/24  
 131/250

6,345,739 B1 2/2002 Mekata  
 D477,893 S \* 7/2003 Cohen Harel ..... D27/157  
 D505,747 S \* 5/2005 Zilberman ..... D27/189  
 D535,054 S \* 1/2007 Zilberman ..... D27/189  
 D565,790 S \* 4/2008 Eisman ..... D27/161  
 D573,303 S \* 7/2008 Fuente ..... D27/189  
 D592,092 S \* 5/2009 Flynn ..... D11/26  
 D618,392 S \* 6/2010 LoRe ..... D27/172  
 D686,103 S \* 7/2013 Mitsui ..... D11/26  
 D700,034 S \* 2/2014 Kessler ..... D8/300  
 D708,038 S \* 7/2014 Edson ..... D8/300  
 D723,738 S 3/2015 Liu  
 D725,310 S 3/2015 Eksouzian  
 D728,725 S \* 5/2015 Anderson ..... D22/108  
 D737,508 S 8/2015 Liu  
 D738,569 S \* 9/2015 Saide ..... D22/117  
 9,271,528 B2 3/2016 Liu  
 D754,913 S \* 4/2016 Almsberger ..... D27/152  
 9,301,547 B2 4/2016 Liu  
 D791,403 S \* 7/2017 Malhi ..... D27/195  
 D806,946 S \* 1/2018 Deahj ..... D27/172  
 D807,575 S \* 1/2018 Luo ..... D27/141  
 D809,194 S \* 1/2018 Falcone ..... D27/172  
 D816,267 S \* 4/2018 Fornarelli ..... D27/101  
 D822,898 S \* 7/2018 Ruiz ..... D27/191  
 D825,098 S \* 8/2018 Fornarelli ..... D27/101  
 2007/0068523 A1 3/2007 Fishman  
 2013/0180084 A1 \* 7/2013 Edson ..... A45B 9/02  
 16/430  
 2014/0190503 A1 7/2014 Li et al.  
 2014/0261488 A1 9/2014 Tucker  
 2015/0020826 A1 1/2015 Liu  
 2015/0164145 A1 6/2015 Zhou  
 2015/0305407 A1 \* 10/2015 Li ..... A61M 11/08  
 131/273  
 2016/0106936 A1 4/2016 Kimmel  
 2017/0119044 A1 \* 5/2017 Oligschlaeger ..... A24F 15/00

\* cited by examiner

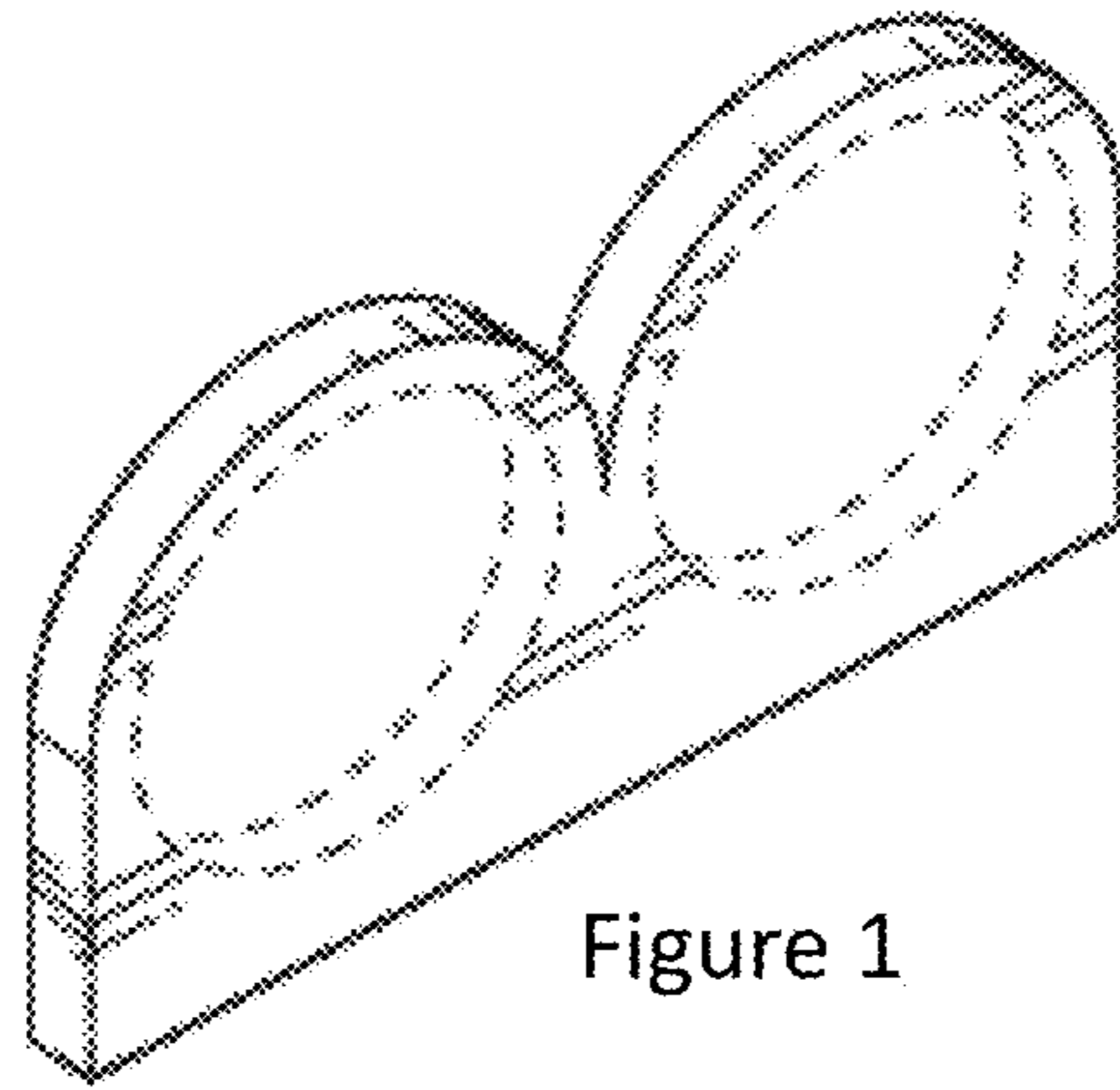


Figure 1

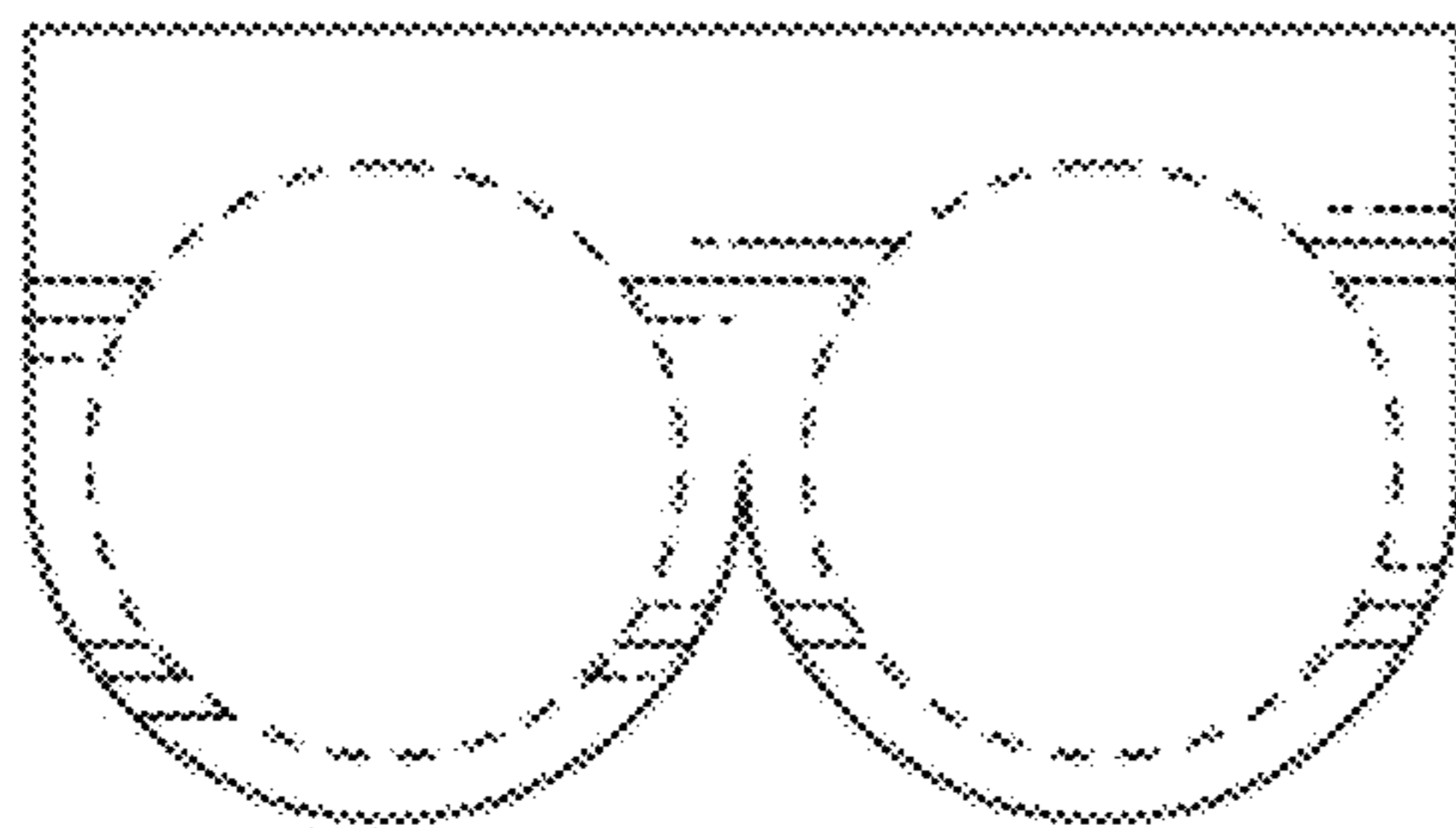


Figure 2

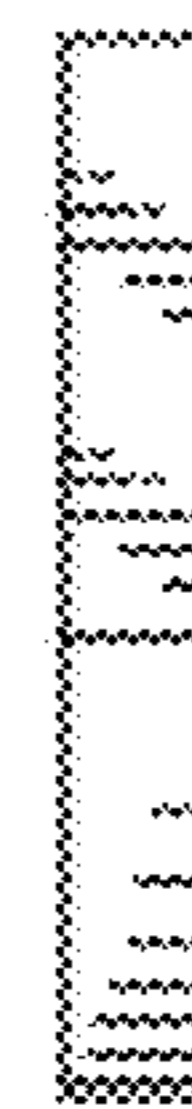


Figure 3

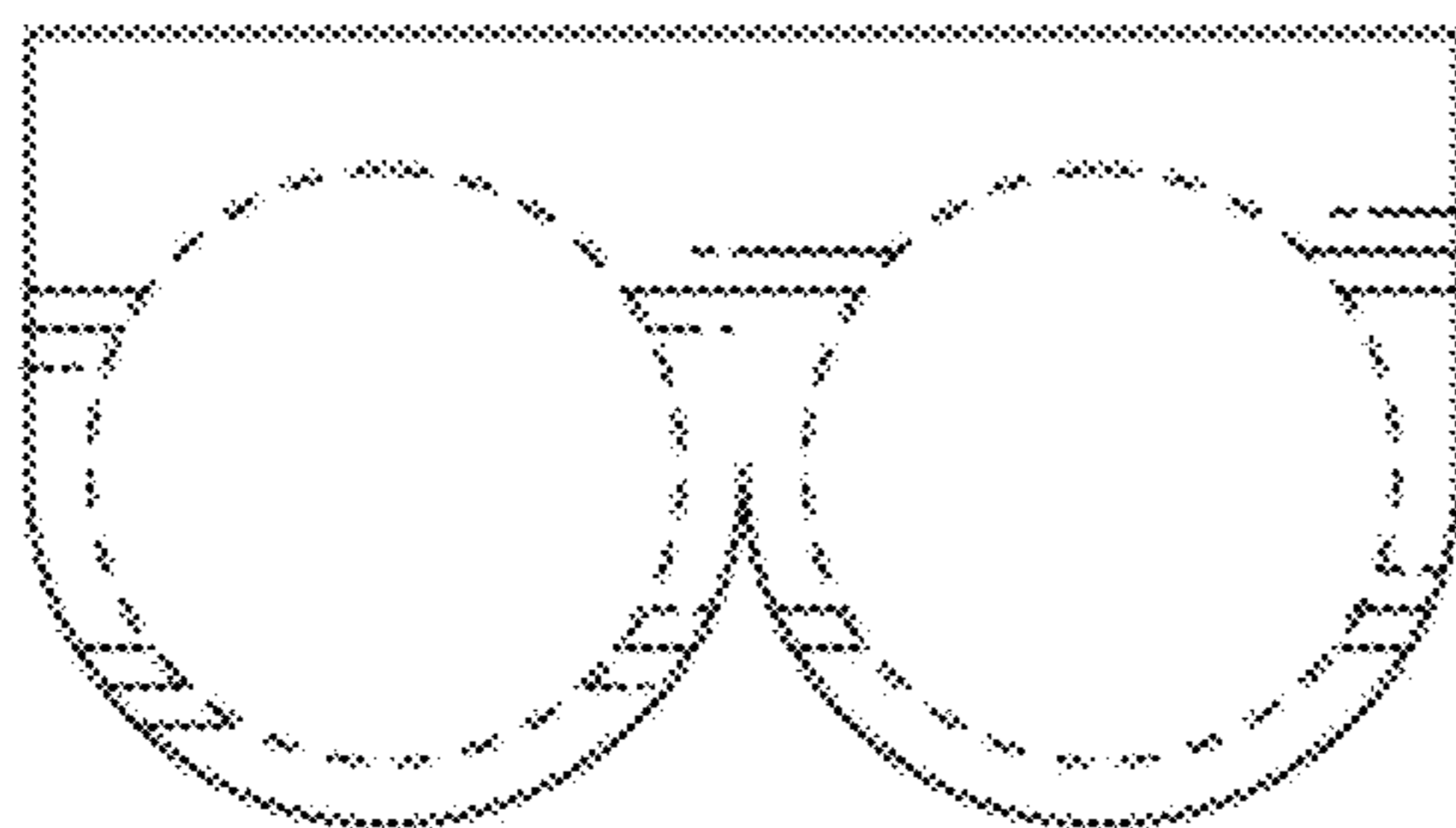


Figure 4

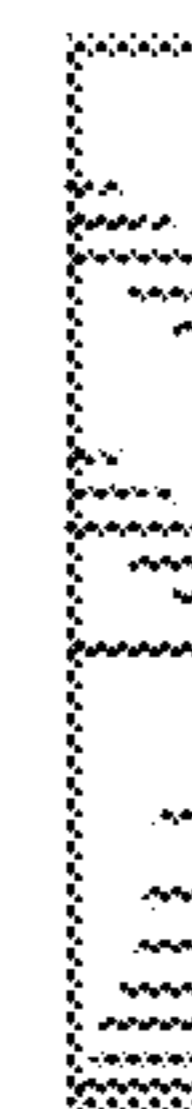


Figure 5



Figure 6

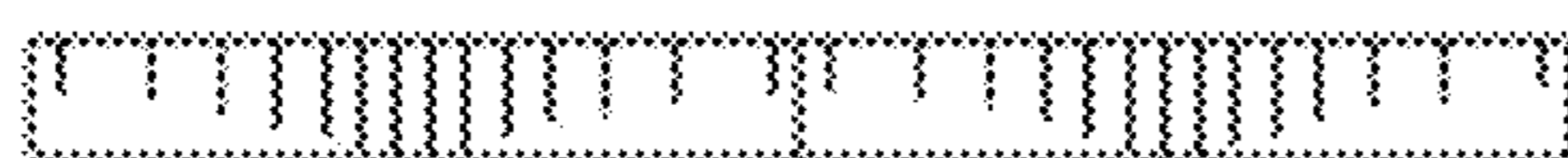


Figure 7

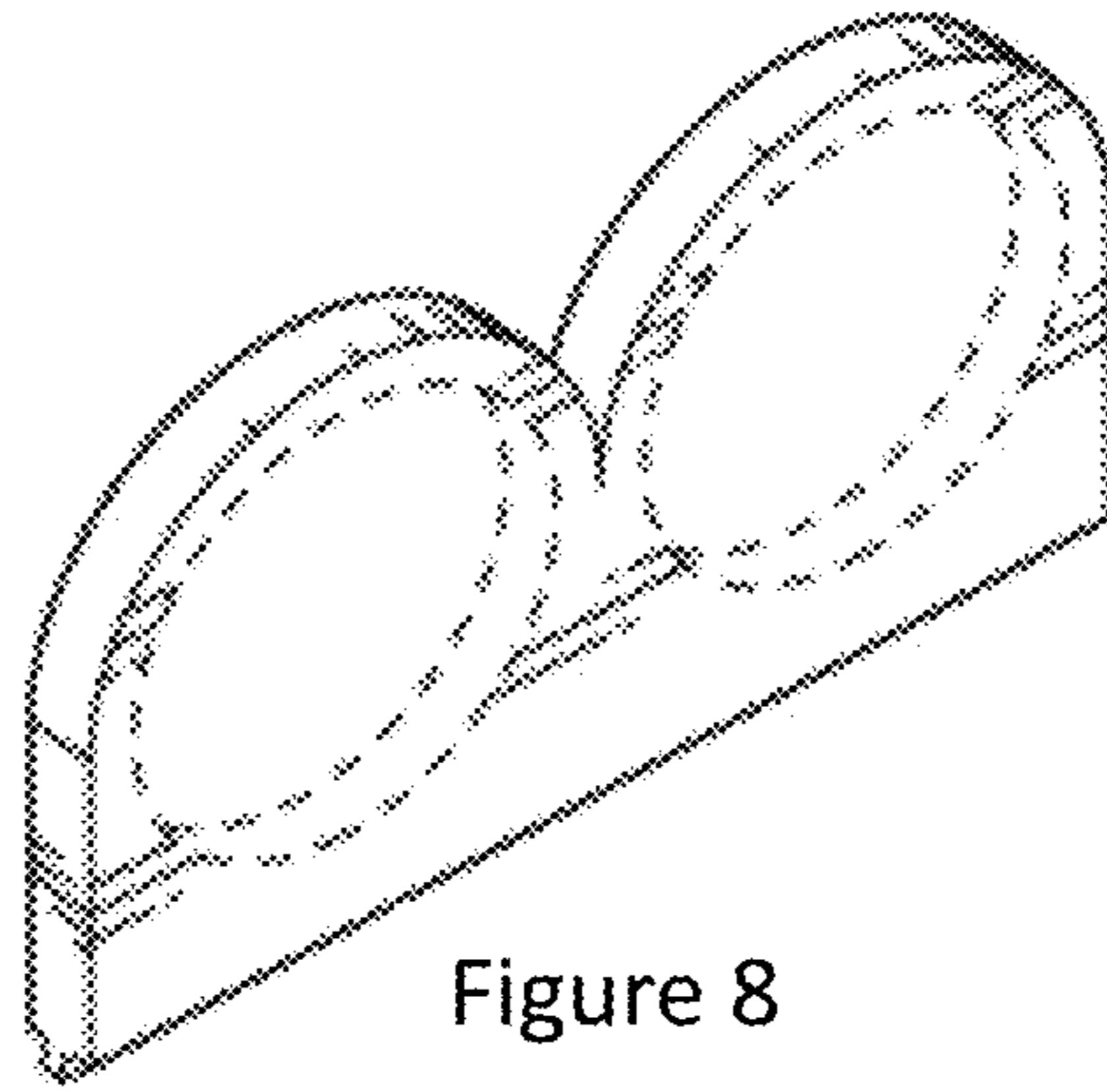


Figure 8

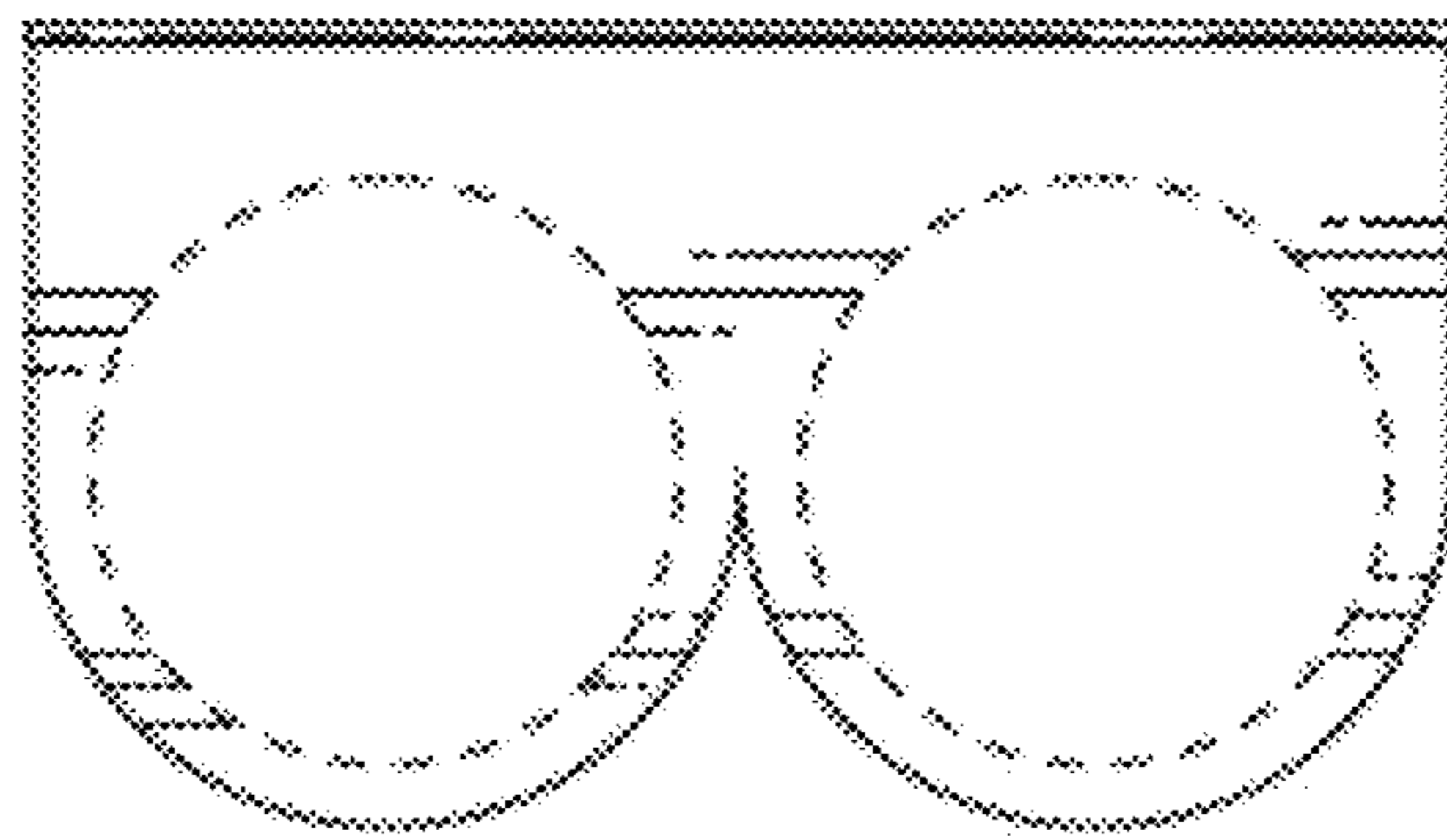


Figure 9

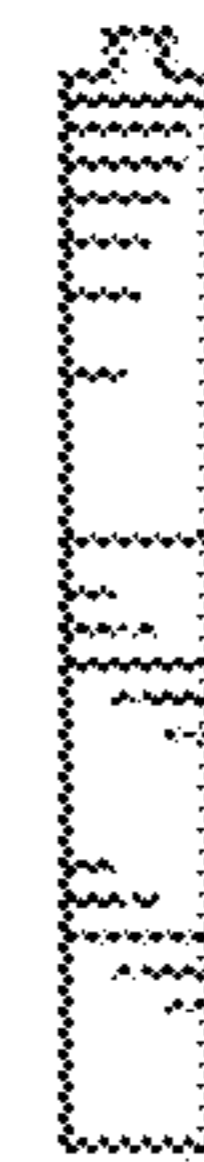


Figure 10

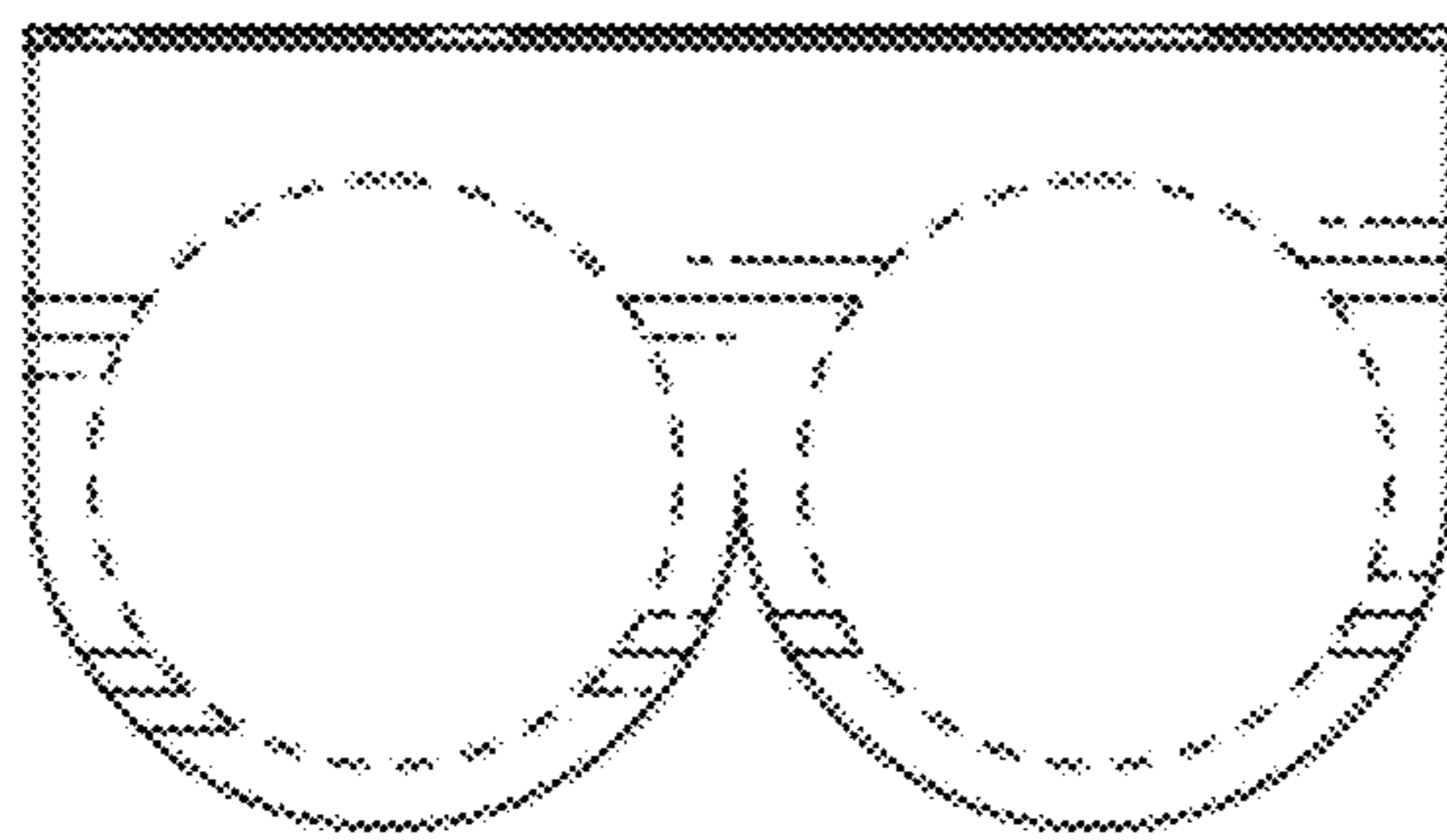


Figure 11

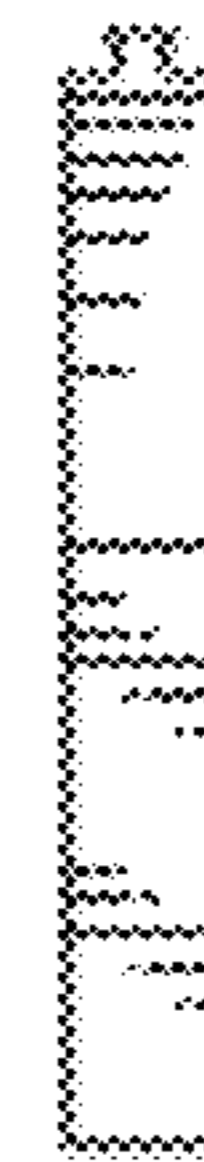


Figure 12

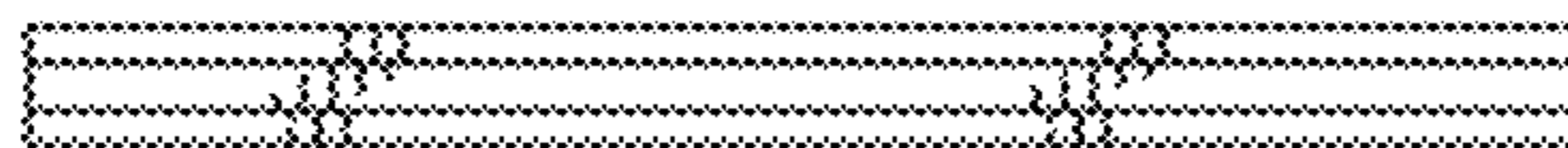


Figure 13



Figure 14