



US00D876004S

(12) **United States Design Patent** (10) **Patent No.:** **US D876,004 S**  
**Wang** (45) **Date of Patent:** **\*\* Feb. 18, 2020**

- (54) **ELECTRONIC VAPING DEVICE**
- (71) Applicant: **Shenzhen Jinzhuoheng Electronic Technology Co., Ltd**, Shenzhen, Guangdong (CN)
- (72) Inventor: **Yiyong Wang**, Shenzhen (CN)
- (73) Assignee: **Shenzhen Jinzhuoheng Electronic Technology Co., Ltd**, Shenzhen, Guangdong (CN)
- (\*\*) Term: **15 Years**
- (21) Appl. No.: **29/670,601**
- (22) Filed: **Nov. 16, 2018**
- (51) **LOC (12) Cl.** ..... **27-01**
- (52) **U.S. Cl.**  
USPC ..... **D27/101**
- (58) **Field of Classification Search**  
USPC ..... D27/101, 100, 162–165, 172, 183, D27/185–192, 194; D24/110, 110.5; 128/202.21, 203.12; 131/273, 270, 191, 131/329, 330, 360–365  
CPC .... A24F 47/002; A24F 47/006; A24F 47/008; A61M 15/00; A61M 15/06  
See application file for complete search history.

- D818,636 S \* 5/2018 Qiu ..... D27/101
- D827,195 S \* 8/2018 Chen ..... D27/101
- D833,064 S \* 11/2018 Verleur ..... D27/172
- D834,246 S \* 11/2018 Qiu ..... D27/162
- D837,446 S \* 1/2019 Durand ..... D27/101
- D846,796 S \* 4/2019 Pan ..... D27/101
- D851,827 S \* 6/2019 Clark ..... D27/162
- D855,251 S \* 7/2019 Qiu ..... D27/162
- D859,735 S \* 9/2019 Qiu ..... D27/162

\* cited by examiner

*Primary Examiner* — Marissa J Cash

*Assistant Examiner* — Rebecca Tsehaye

(74) *Attorney, Agent, or Firm* — Entralta P.C.; Justin G. Sanders; Peter D. Weinstein

(57) **CLAIM**

The ornamental design for an electronic vaping device, as shown and described.

**DESCRIPTION**

FIGS. 1 and 2 are perspective views showing my new electronic vaping device design; FIG. 3 is a top view thereof; FIG. 4 is a bottom view thereof; FIG. 5 is a left side view thereof; FIG. 6 is a right side view thereof; FIG. 7 is a front view thereof; and, FIG. 8 is a rear view thereof.

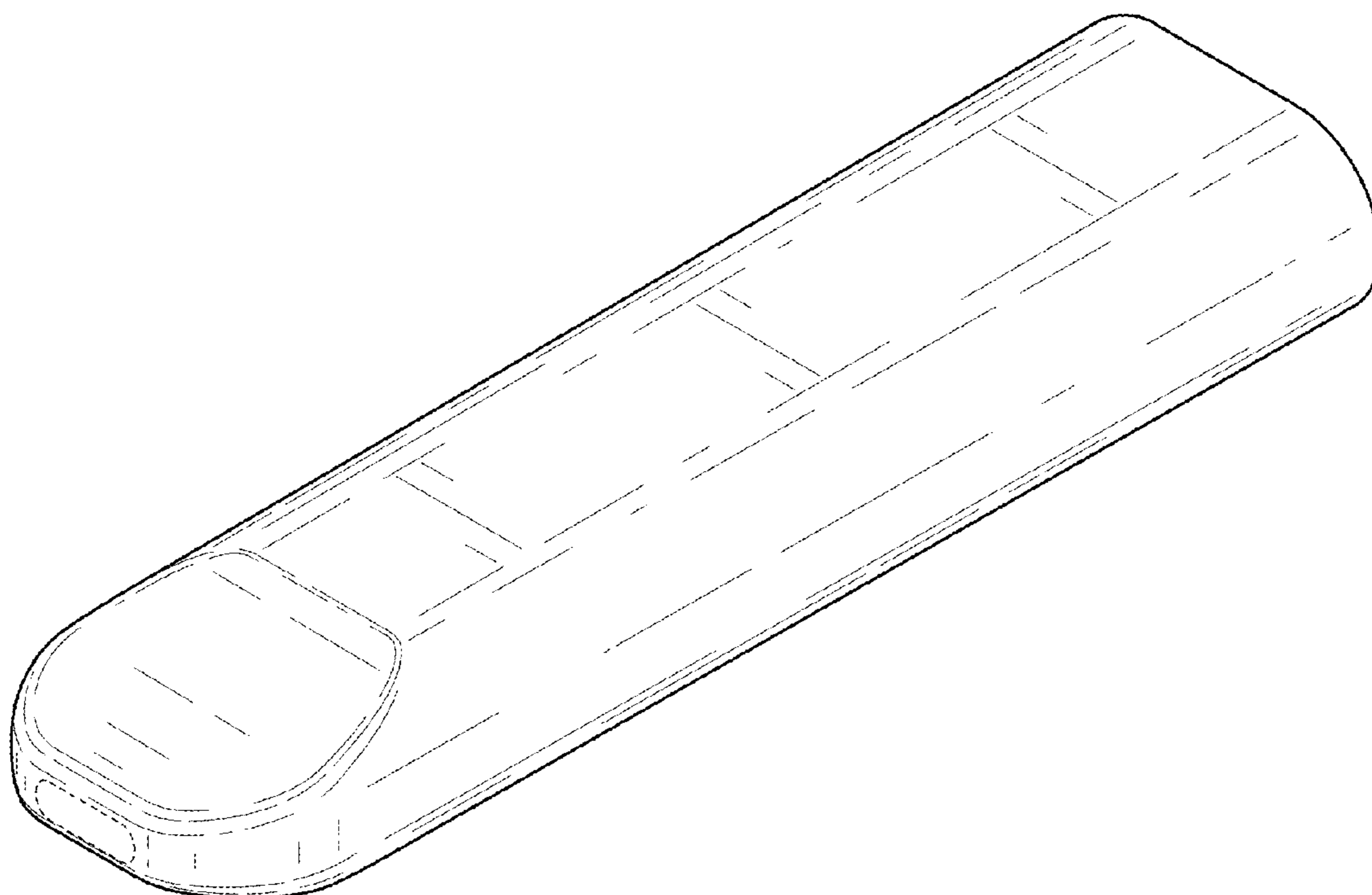
The broken lines in the drawings depict portions of the electronic vaping device that form no part of the claimed design.

**1 Claim, 4 Drawing Sheets**

(56) **References Cited**

U.S. PATENT DOCUMENTS

- D792,643 S \* 7/2017 Wong ..... D27/101
- D799,110 S \* 10/2017 Qiu ..... D27/101
- D799,112 S \* 10/2017 Qiu ..... D27/101
- D799,113 S \* 10/2017 Qiu ..... D27/101



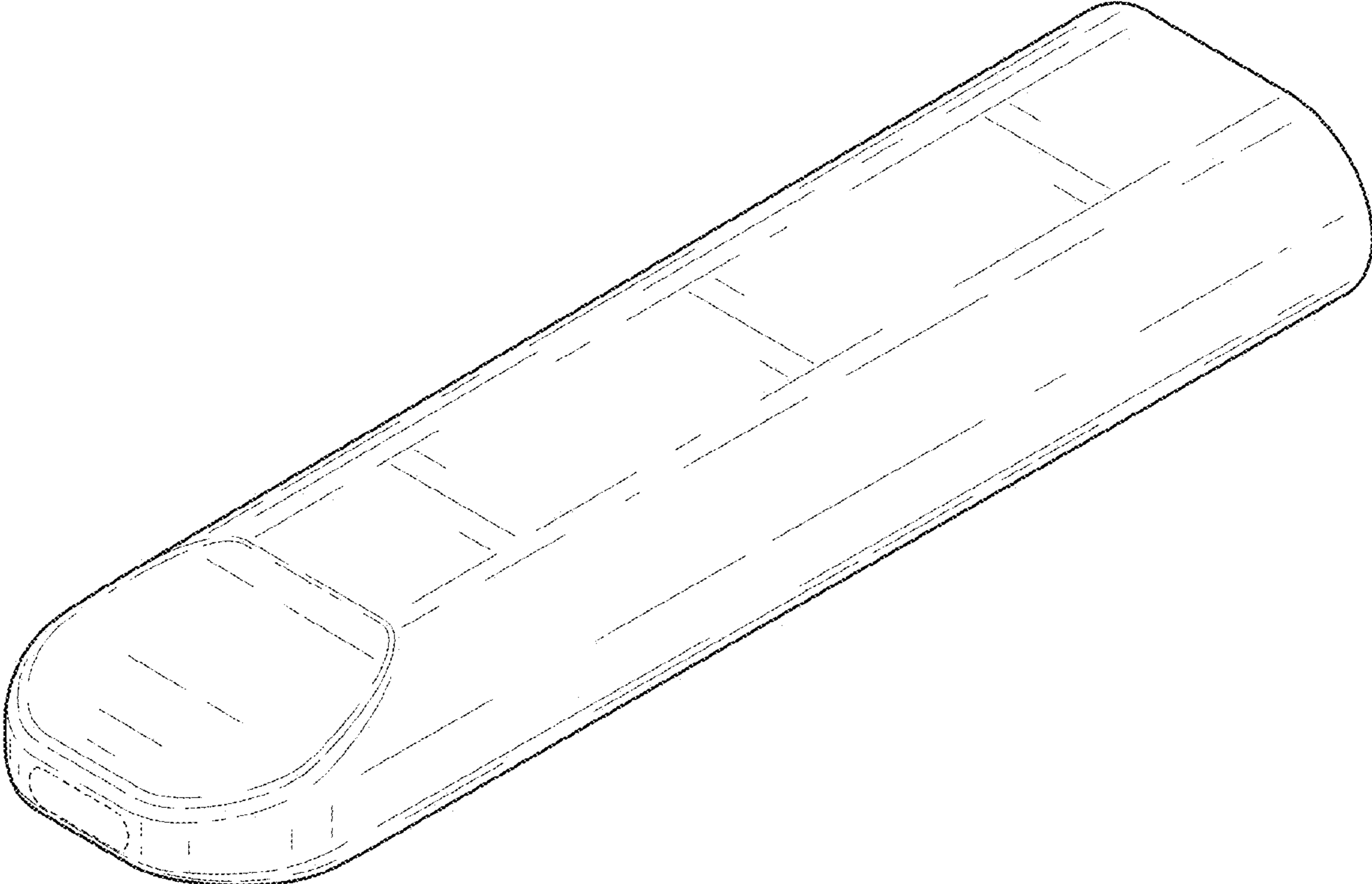


FIG. 1

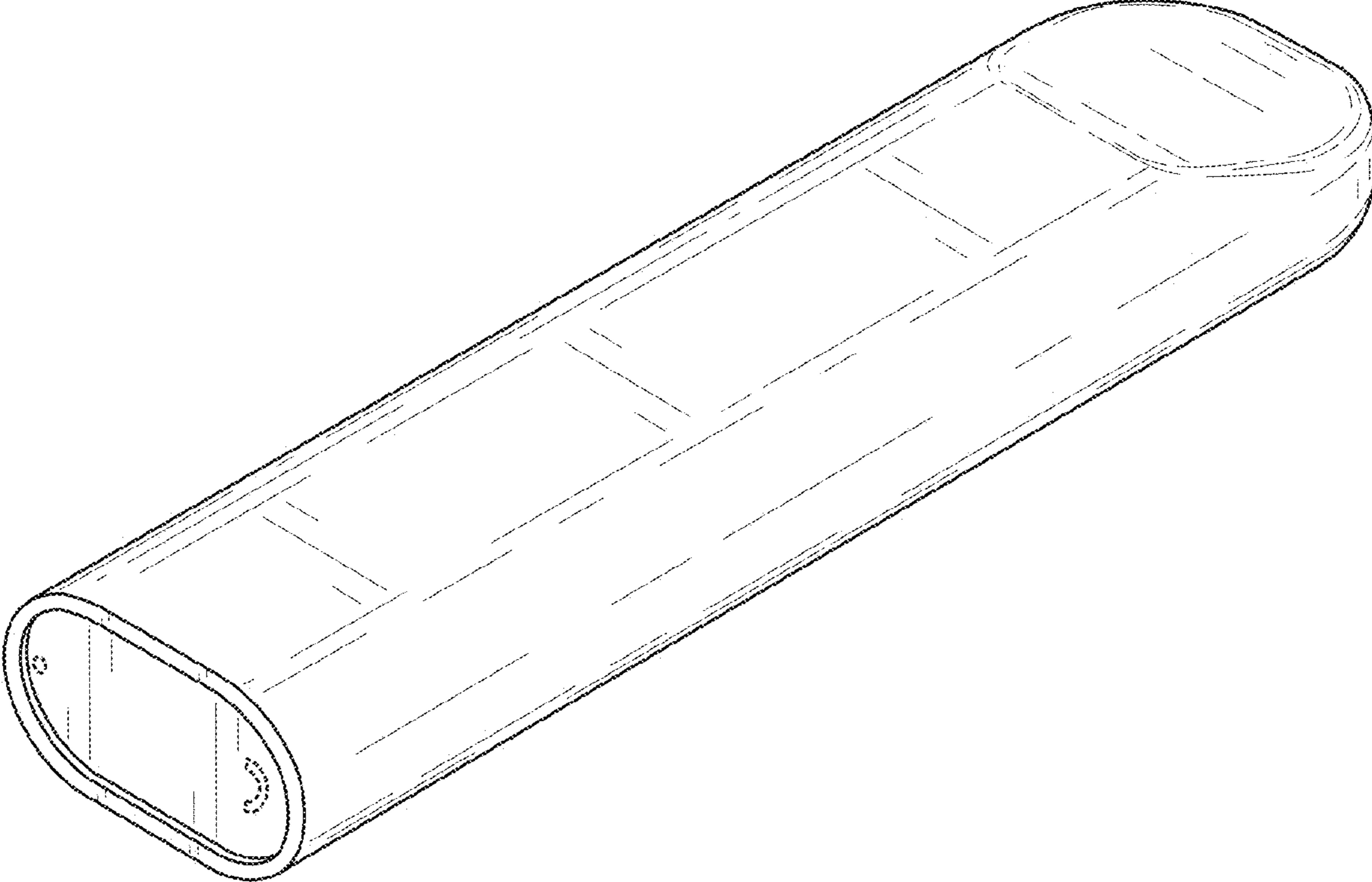


FIG. 2

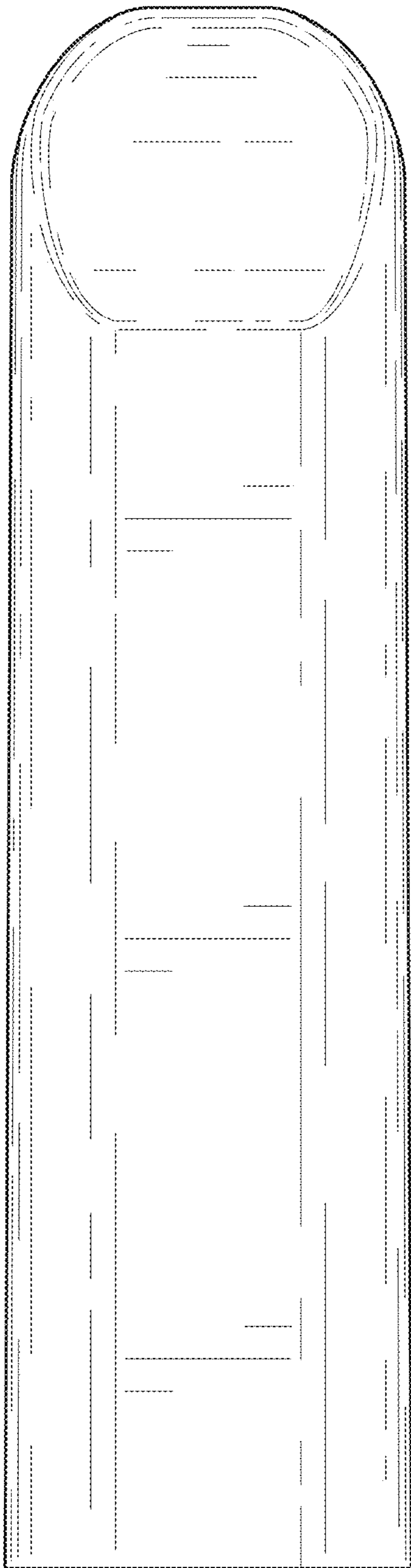


FIG. 3

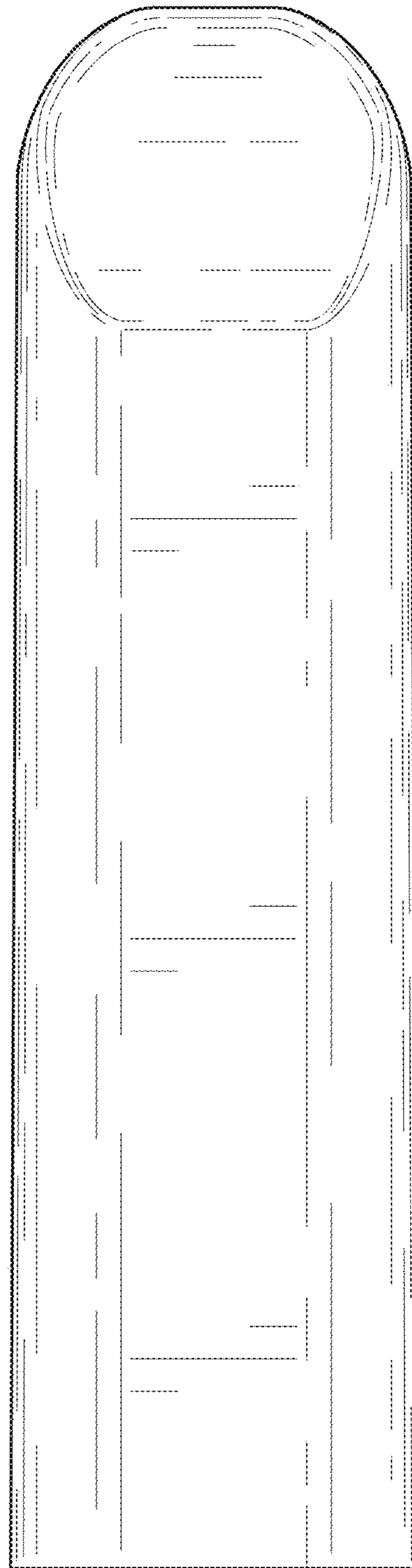


FIG. 4

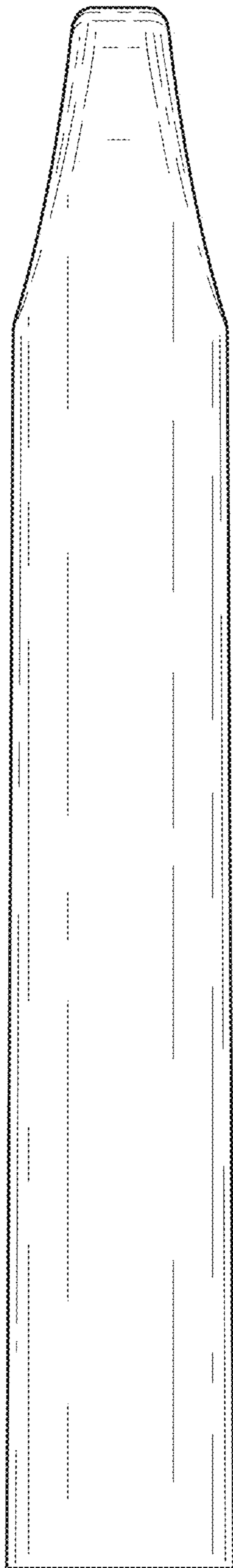


FIG. 5

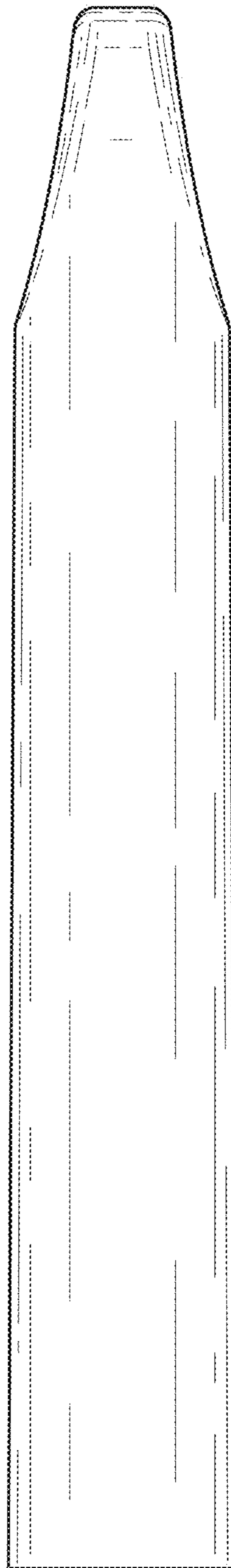


FIG. 6

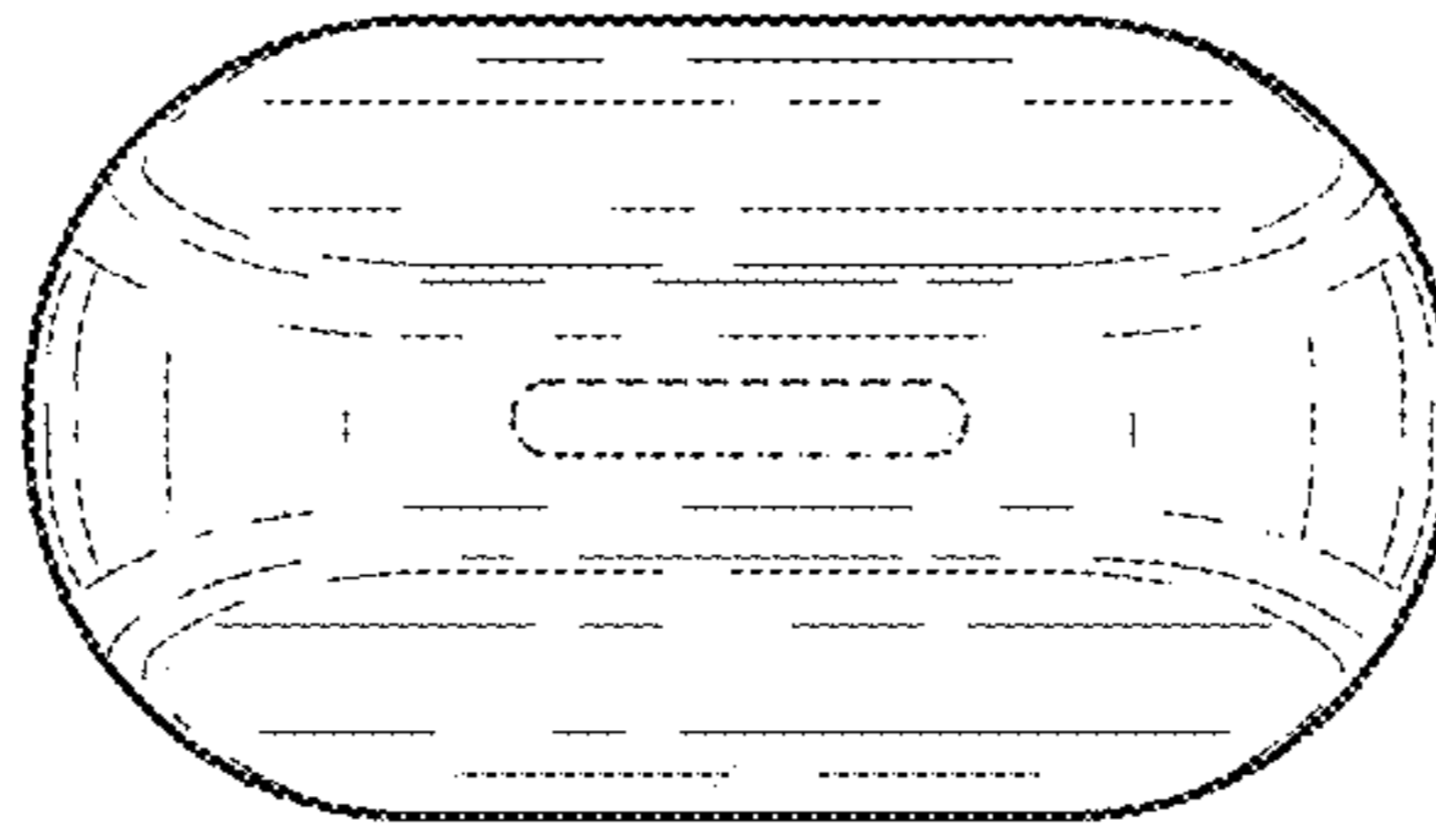


FIG. 7

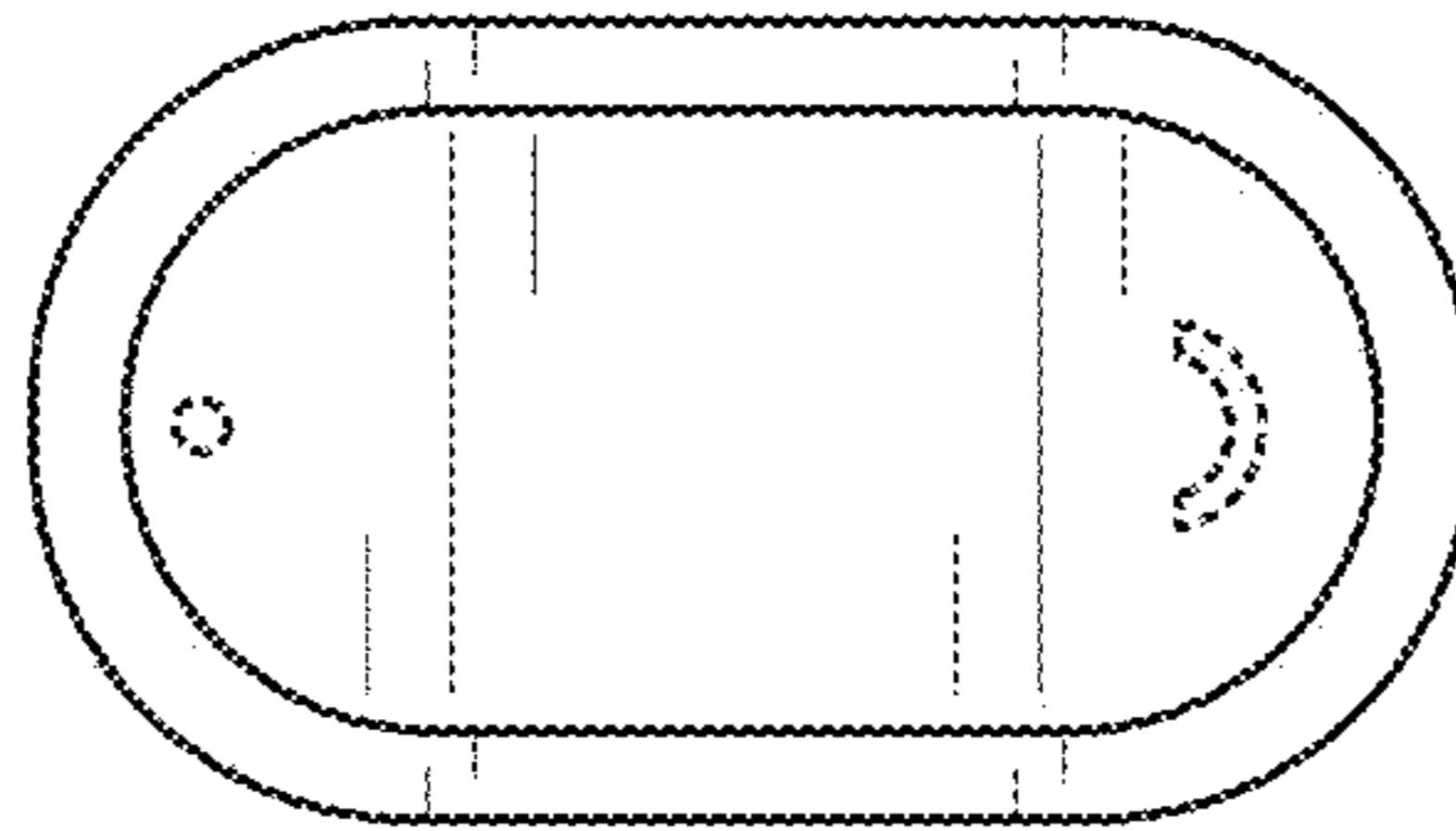


FIG. 8