



US00D876002S

(12) **United States Design Patent**
Behnke et al.

(10) **Patent No.:** **US D876,002 S**
(45) **Date of Patent:** **** Feb. 18, 2020**

- (54) **LIGHTING FIXTURE**
- (71) Applicant: **USAI, LLC**, New Windsor, NY (US)
- (72) Inventors: **Jaclyn Behnke**, Highland, NY (US);
Frank Cogliano, Pomona, NY (US)
- (73) Assignee: **USAI, LLC**, New Windsor, NY (US)
- (**) Term: **15 Years**
- (21) Appl. No.: **29/696,938**
- (22) Filed: **Jul. 2, 2019**

D298,173 S 10/1988 Oosterheerd
 D339,651 S 9/1993 Vieyra
 D345,790 S 4/1994 Caldwell
 (Continued)

OTHER PUBLICATIONS

USAI, LLC, BeveLED Block instruction sheet, 2 pages. (Jul. 1, 2016).
 (Continued)

Primary Examiner — Natasha Vujcic
 (74) *Attorney, Agent, or Firm* — St. Onge Steward
 Johnston & Reens LLC

(57) **CLAIM**

The ornamental design for a lighting fixture, as shown and described.

DESCRIPTION

FIG. 1 is a perspective view, from the bottom, of a first embodiment of a lighting fixture in accordance with the new design;
 FIG. 2 is a front view thereof, with the rear view being a mirror image;
 FIG. 3 is a left side view thereof;
 FIG. 4 is a right side view thereof; and
 FIG. 5 is a bottom view thereof, with the top forming no part of the claimed design;
 FIG. 6 is a perspective view, from the bottom, of a second embodiment of a lighting fixture in accordance with the new design;
 FIG. 7 is a front view thereof, with the rear view being identical;
 FIG. 8 is a left side view thereof, with the right side view being identical; and
 FIG. 9 is a bottom view thereof, with the top forming no part of the claimed design.
 The broken lines shown in the drawings are for the purpose of illustrating portions of the lighting fixture that form no part of the claimed design.

Related U.S. Application Data

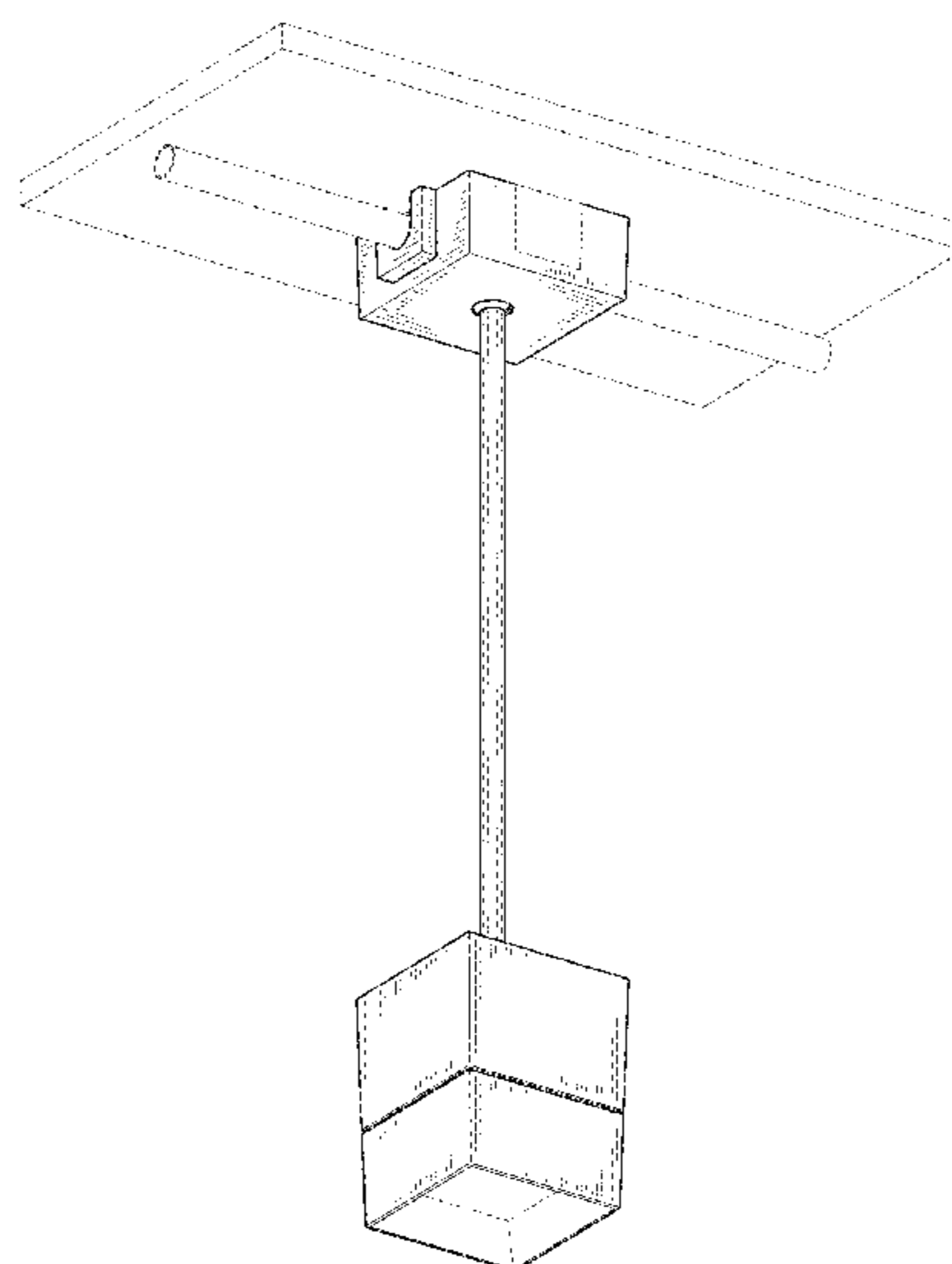
- (63) Continuation of application No. 15/972,881, filed on May 7, 2018.
- (51) **LOC (12) Cl.** **26-05**
- (52) **U.S. Cl.**
USPC **D26/138**
- (58) **Field of Classification Search**
USPC D26/72, 74, 76, 78-83, 85, 86, 88, 90,
D26/93, 111, 113, 118, 119, 120, 121,
D26/122, 138, 139, 140, 141, 142, 152;
D22/142; D21/499, 500
CPC F21S 2/00; F21S 4/00; F21S 4/003; F21S
4/005; F21S 4/006; F21S 4/007; F21S
4/008; F21S 6/00; F21S 8/00; F21S
8/024; F21S 8/026; F21S 8/031; F21S
8/033; F21S 8/035-037; F21S 8/04; F21S
8/043; F21S 8/063
See application file for complete search history.

(56) **References Cited**

U.S. PATENT DOCUMENTS

- 825,445 A 7/1906 Benjamin
- 2,034,556 A 3/1936 Biller
- D147,093 S 7/1947 Vorsanger
- 4,303,968 A 12/1981 Goralnik

1 Claim, 9 Drawing Sheets



(56)

References Cited

U.S. PATENT DOCUMENTS

D377,843 S * 2/1997 Schering D26/138
 D382,663 S 8/1997 Barry
 D399,328 S 10/1998 Compton
 D400,287 S 10/1998 Littman et al.
 D414,530 S * 9/1999 Rudy D21/500
 D422,745 S * 4/2000 Losole, III D26/138
 D423,607 S * 4/2000 Rudy D21/500
 D435,215 S * 12/2000 Guzman D9/422
 D443,942 S 6/2001 Dye et al.
 D445,527 S 7/2001 Nicholas
 D465,061 S * 10/2002 Guthrie D23/269
 D480,437 S * 10/2003 Stoneberg D21/499
 D480,828 S 10/2003 Block
 D532,148 S * 11/2006 Matsui D26/138
 D547,484 S 7/2007 Guercio
 D557,438 S 12/2007 Hsu
 D565,230 S 3/2008 Hetfield et al.
 D581,586 S * 11/2008 Conroy D26/138
 D603,552 S * 11/2009 Kampe D26/88
 D604,445 S 11/2009 Ko et al.
 D604,896 S * 11/2009 Chen D26/142
 D623,344 S * 9/2010 Tsai D26/138
 D629,561 S * 12/2010 Kim D26/138
 D637,339 S 5/2011 Hasan et al.
 D637,340 S 5/2011 Hasan et al.
 D653,799 S * 2/2012 Baker D26/138
 D707,383 S 6/2014 Carraher
 D707,386 S * 6/2014 McKenzie D26/142
 D709,643 S * 7/2014 Kohler D26/138
 D710,536 S * 8/2014 Mollaghaffari D26/138
 D722,402 S 2/2015 Orozco
 D728,842 S * 5/2015 Arola Ferrer D26/83
 D735,933 S * 8/2015 Campagna D26/142
 D740,992 S 10/2015 Orozco
 D747,029 S 1/2016 Reynolds
 D753,328 S * 4/2016 Mathews D26/63
 9,435,353 B1 9/2016 Gretz
 D770,084 S * 10/2016 Salomon D26/138
 9,466,962 B1 10/2016 Gretz
 D785,227 S 4/2017 Guzzini
 D785,852 S * 5/2017 Rashidi Doust D26/138

D790,762 S * 6/2017 Sonneman D26/138
 D791,384 S 7/2017 Park
 D791,400 S * 7/2017 Sonneman D26/138
 D795,360 S * 8/2017 Ahn D21/499
 D799,099 S 10/2017 Gismondi
 D806,304 S 12/2017 Amato et al.
 D813,436 S 3/2018 Verelst
 D813,438 S 3/2018 Vyvey
 D818,185 S * 5/2018 Wilson D26/138
 D818,192 S * 5/2018 Price D26/138
 D818,625 S 5/2018 Hohaus et al.
 D819,441 S * 6/2018 Doster D9/432
 D821,627 S 6/2018 Ko
 D823,522 S 7/2018 Gambrel et al.
 D829,953 S * 10/2018 Boti D26/74
 D829,959 S 10/2018 Amato et al.
 D834,235 S 11/2018 Gambrel et al.
 D841,220 S * 2/2019 Chen D26/88
 D843,642 S * 3/2019 Mathews D26/142
 D848,047 S 5/2019 Santoro et al.
 D855,244 S * 7/2019 Sonneman D26/113
 D856,570 S * 8/2019 Sonneman D26/113
 2015/0338071 A1 11/2015 Feit et al.
 2016/0319988 A1 11/2016 Mathews et al.
 2017/0009962 A1 1/2017 Feit et al.
 2017/0268736 A1 9/2017 Harpenau et al.
 2017/0363263 A1 12/2017 Ticktin et al.
 2018/0087750 A1 3/2018 Boulanger et al.
 2018/0119934 A1 5/2018 Schneider
 2018/0128446 A1 5/2018 Dietz
 2018/0328573 A1 11/2018 Behnke et al.

OTHER PUBLICATIONS

Chinese Gold Supplier IP65 Surface Mounted Square Downlight LED spot light dimmable. USPTO found at alibaba.com visited Mar. 18, 2019. (Year: 2019).
 COB Square mounted LED downlight No. 425557733. USPTO found at dhgate.com visited Mar. 18, 2019. (Year: 2019).
 Surface Mount Square 1-Light LED Flush Mount fixture by Bruck Lighting. SKU: BBB3018. USPTO found at wayfair.com as early as Feb. 21, 2019. (Year: 2019).

* cited by examiner

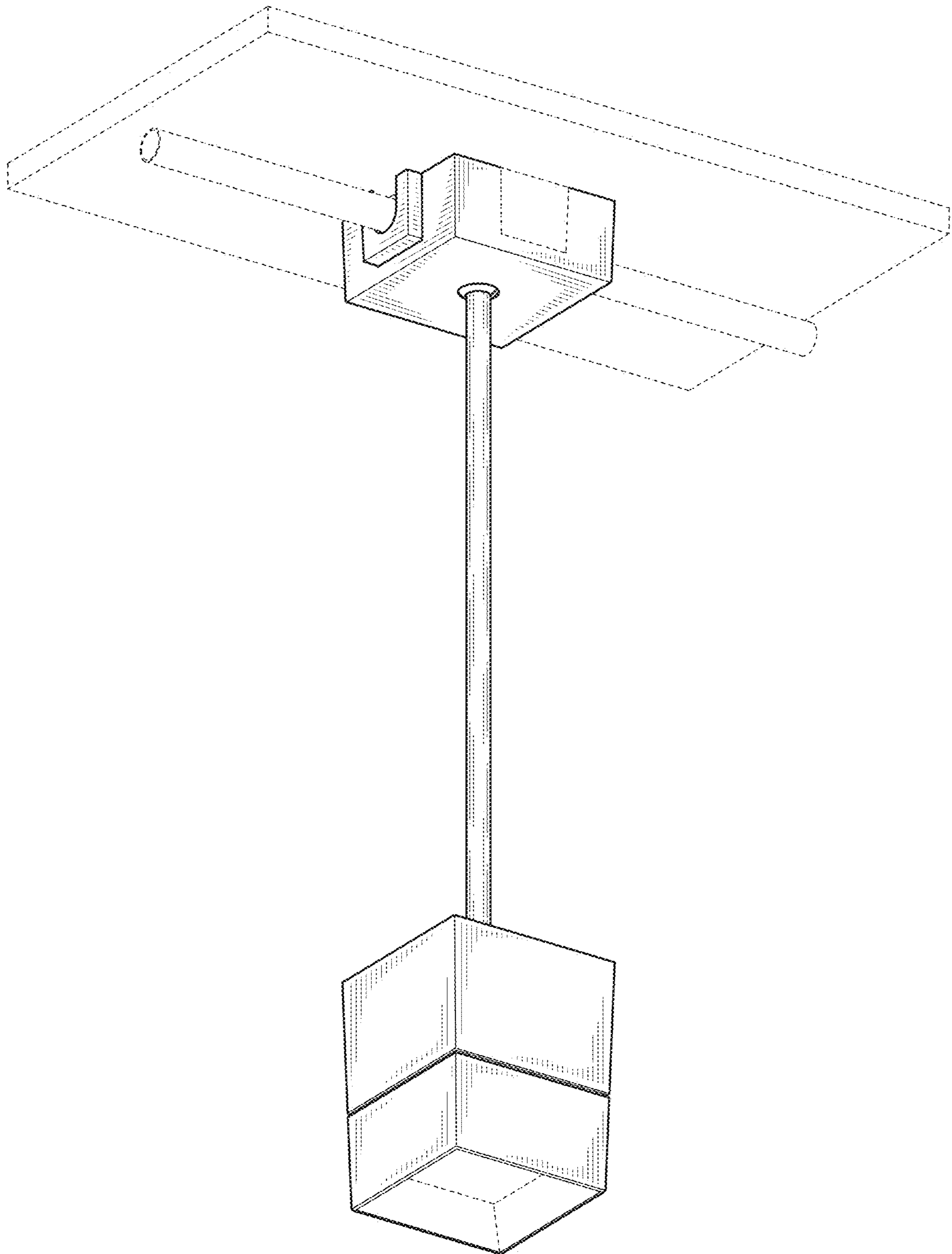


FIG. 1

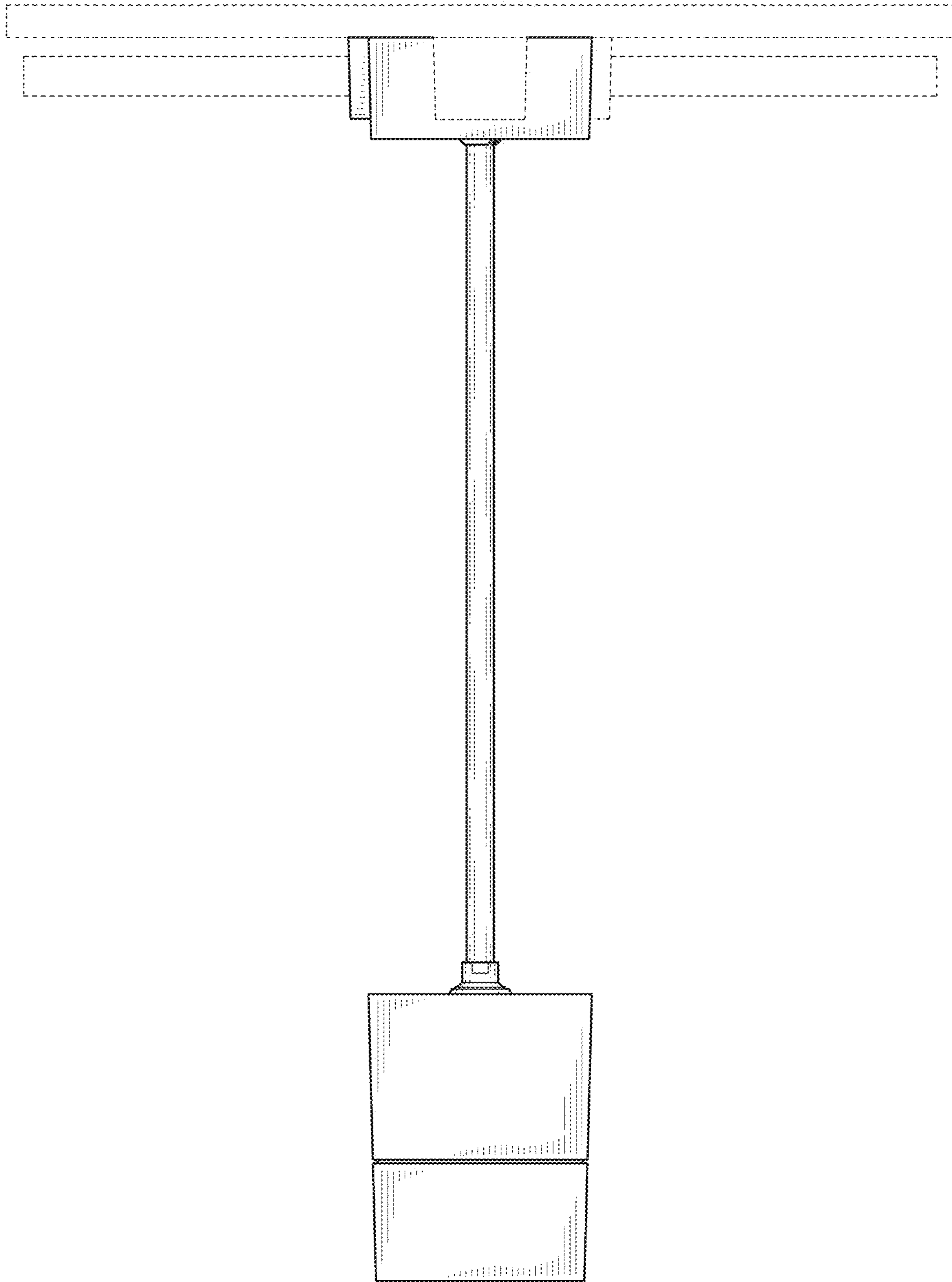


FIG. 2

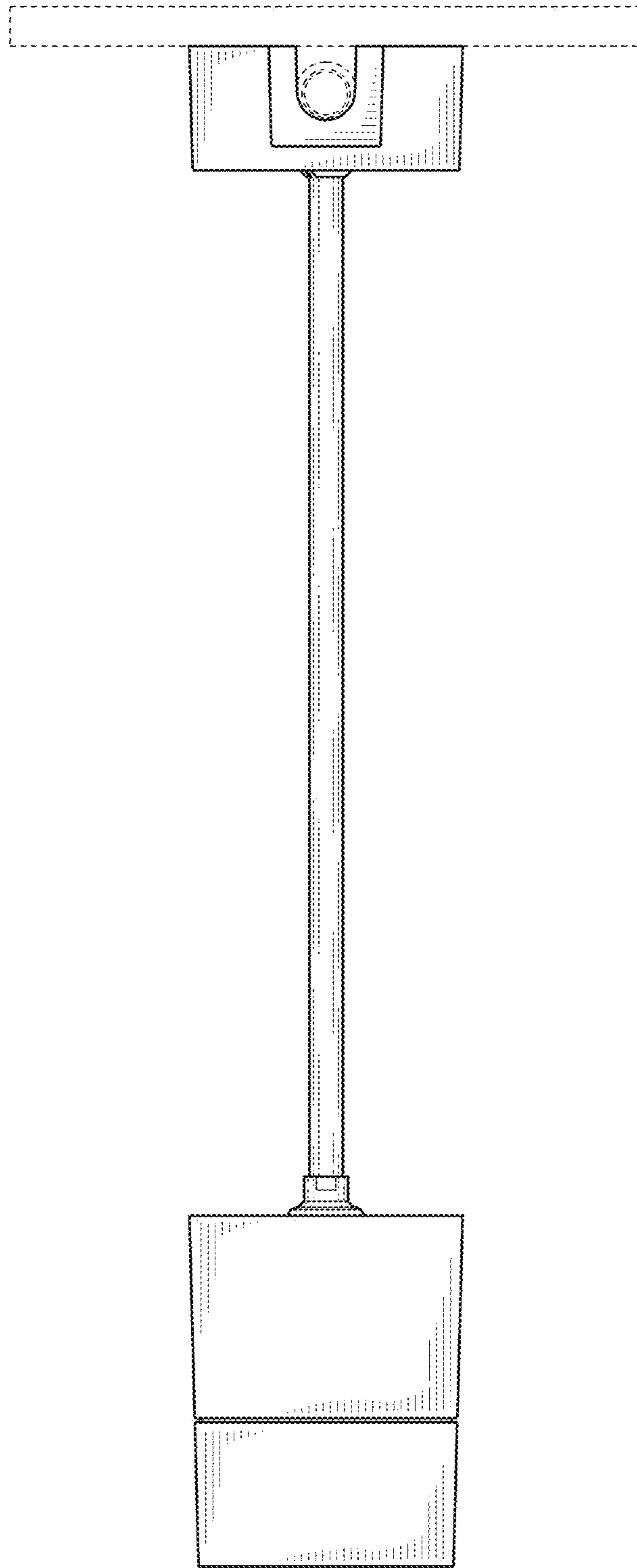


FIG. 3

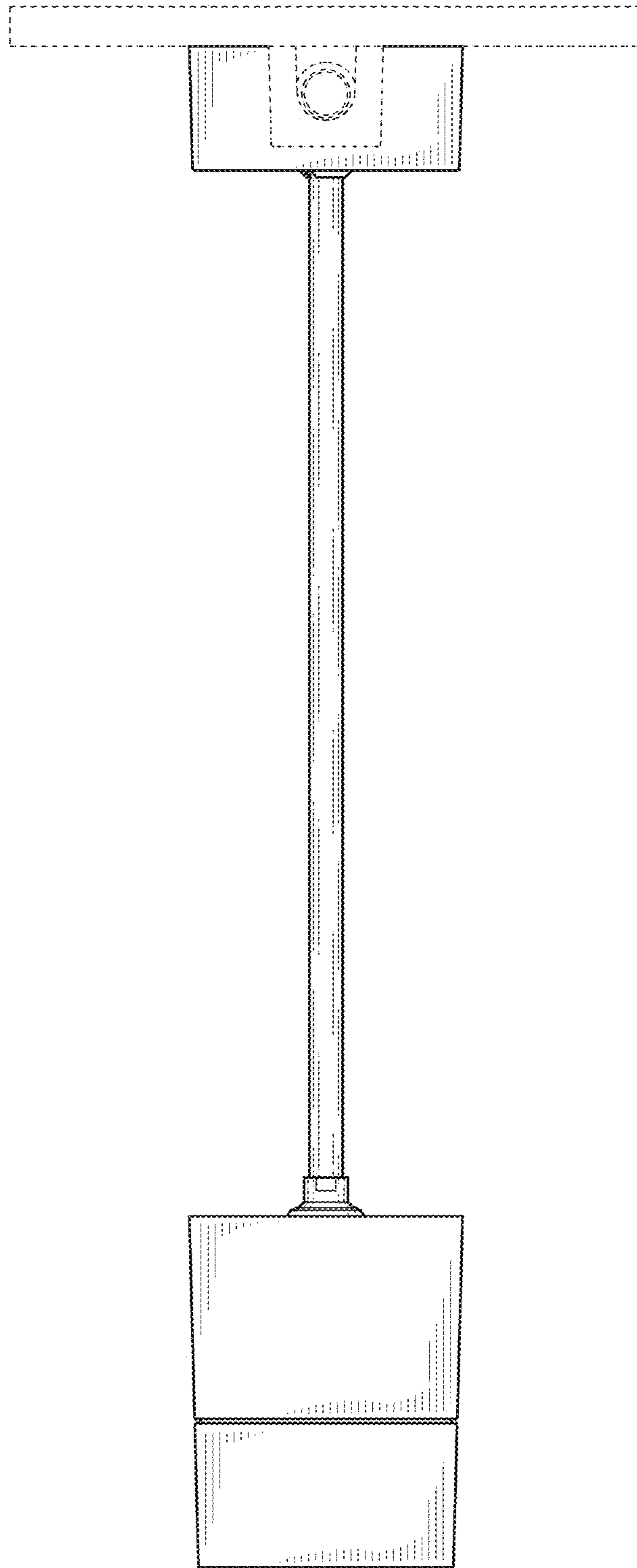


FIG. 4

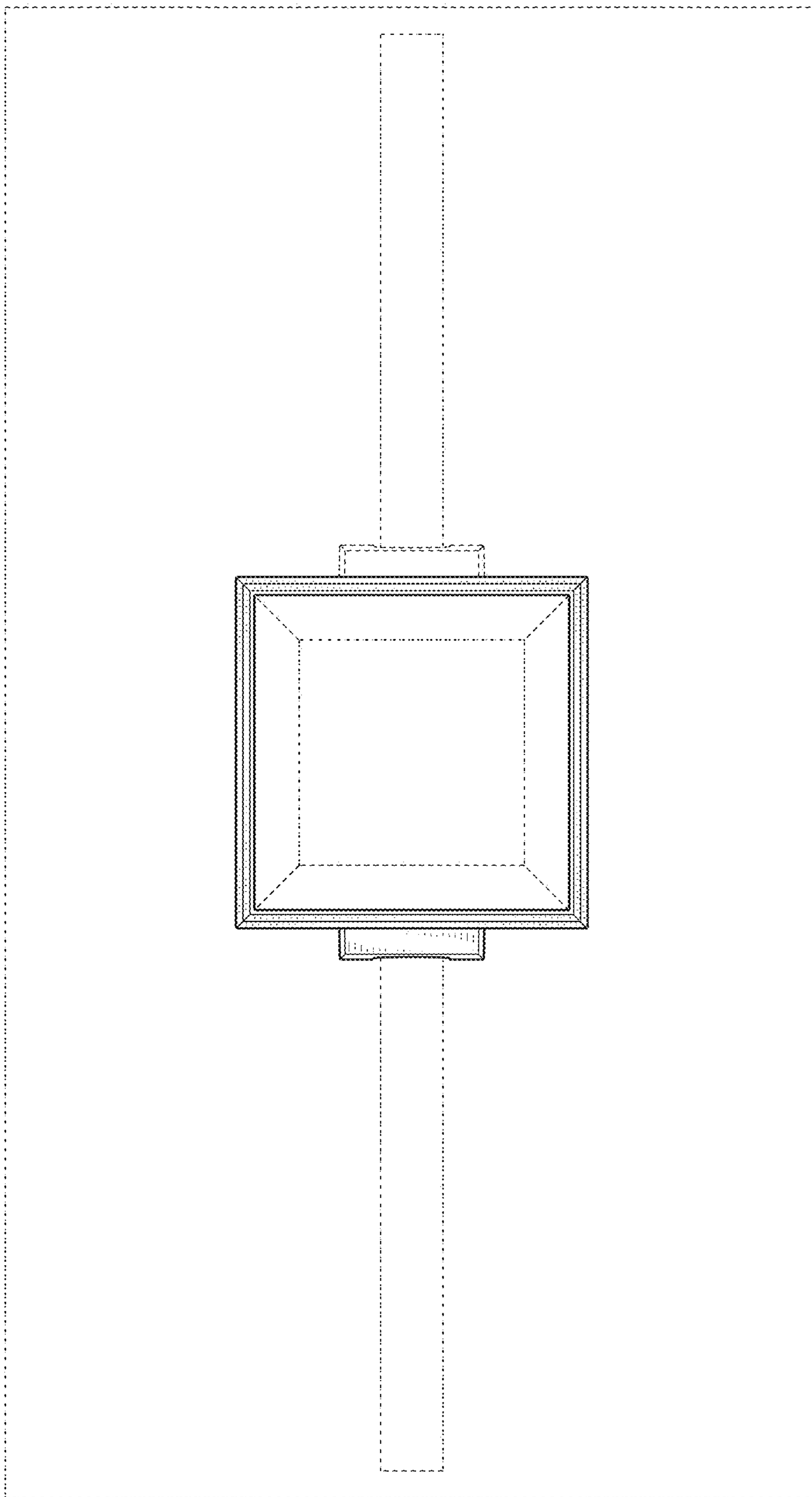


FIG. 5

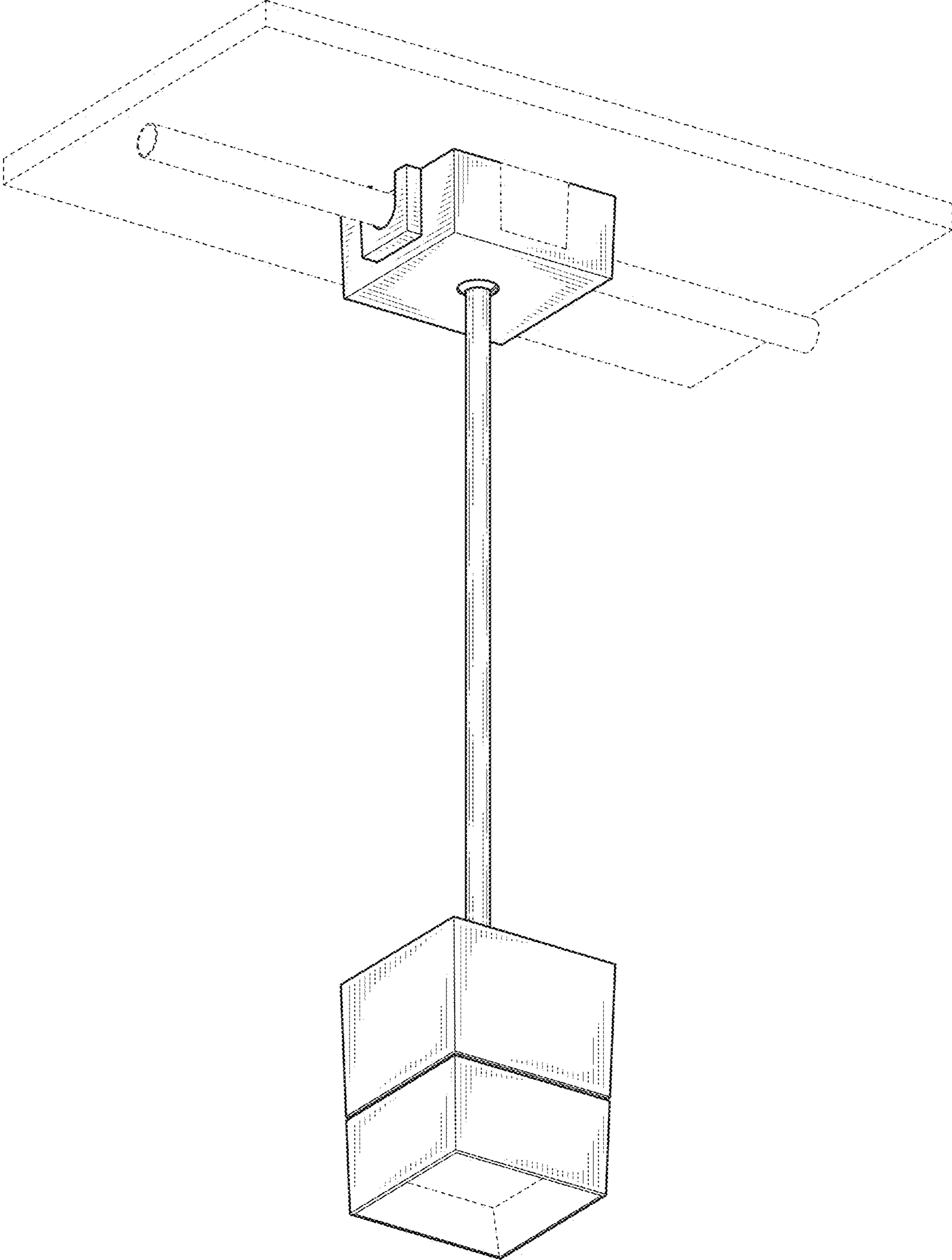


FIG. 6

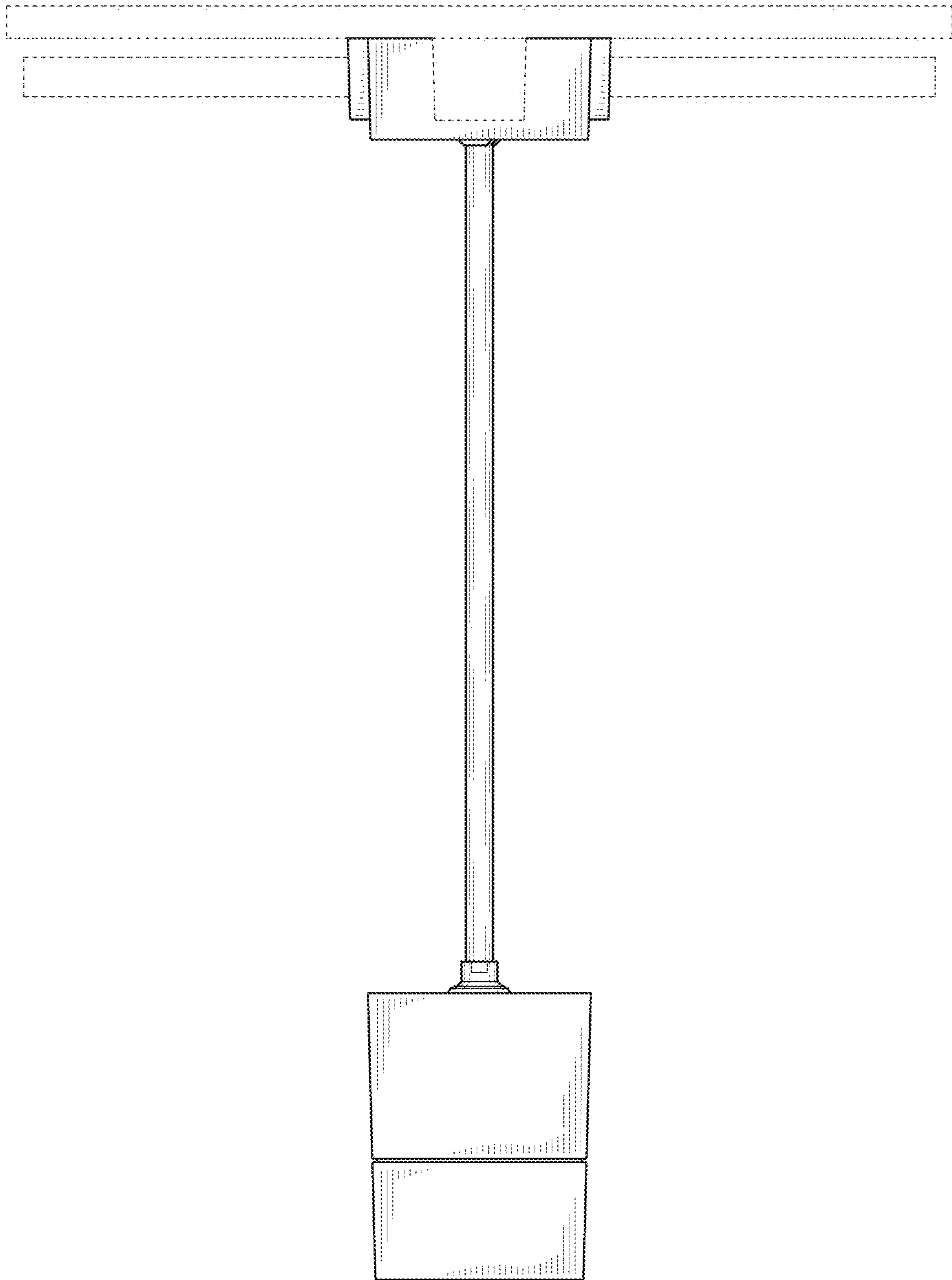


FIG. 7

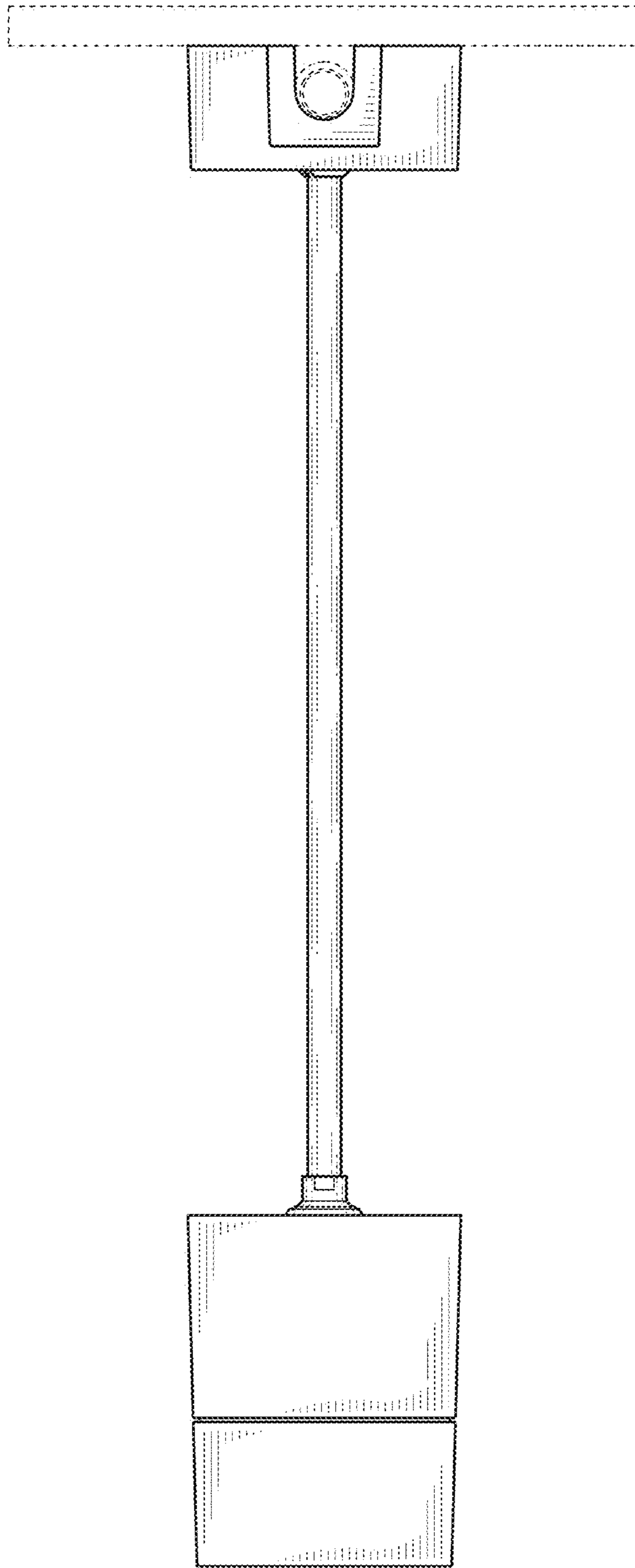


FIG. 8

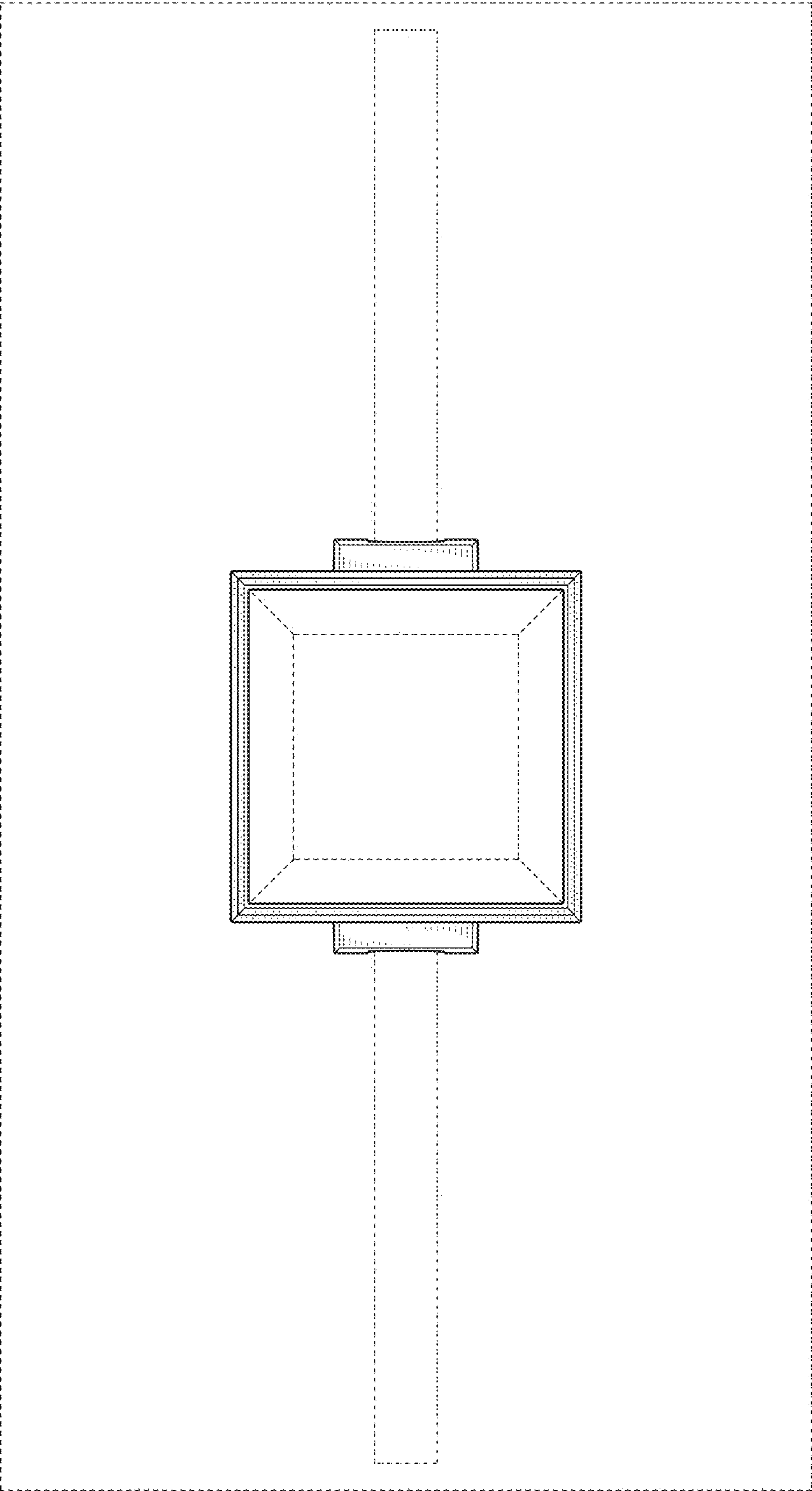


FIG. 9