



US00D876001S

(12) **United States Design Patent**
Sugiyama et al.

(10) **Patent No.:** **US D876,001 S**

(45) **Date of Patent:** **** Feb. 18, 2020**

(54) **STRIP MEMBER FOR PIPES**
(71) Applicant: **SEKISUI CHEMICAL CO., LTD.**,
Osaka (JP)
(72) Inventors: **Yoshirou Sugiyama**, Shiga (JP);
Hiroshi Sugahara, Shiga (JP); **Yuuta**
Miyatake, Shiga (JP)
(73) Assignee: **SEKISUI CHEMICAL CO., LTD.**,
Osaka (JP)

(**) Term: **15 Years**

(21) Appl. No.: **29/661,327**

(22) Filed: **Aug. 27, 2018**

(30) **Foreign Application Priority Data**

Feb. 27, 2018 (JP) 2018-004056

(51) **LOC (12) Cl.** **26-05**

(52) **U.S. Cl.**
USPC **D26/138**

(58) **Field of Classification Search**
USPC D26/1, 24, 26-28, 37-50, 35, 36, 61, 62,
D26/63, 64, 65, 66, 71, 72, 73, 74, 75,
D26/87, 89, 76, 78, 79, 80, 81, 82, 83,
D26/85, 86, 88, 90, 113, 118, 119, 120,
D26/121
CPC F21S 2/00; F21S 4/00; F21S 4/003; F21S
4/005; F21S 4/006; F21S 6/00; F21S
8/00; F21S 8/024
See application file for complete search history.

(56) **References Cited**

U.S. PATENT DOCUMENTS

D648,062 S * 11/2011 Peifer D26/138
D662,255 S * 6/2012 Klu D26/138
D662,256 S * 6/2012 Klu D26/138
D665,123 S * 8/2012 Douglas D26/138

D804,714 S * 12/2017 Seehof D26/138
D806,937 S * 1/2018 Klus D26/138
D808,066 S * 1/2018 Young D26/138
D808,579 S * 1/2018 Klus D26/138
D818,194 S * 5/2018 Trzesniowski D26/138
D818,634 S * 5/2018 Sherman D26/138
D832,494 S * 10/2018 Antony D26/138

FOREIGN PATENT DOCUMENTS

JP 2000-096996 4/2000
JP 2000-313064 11/2000
JP 2002-147650 5/2002
JP 2011-194659 10/2011
JP 2014-065170 4/2014
JP 2016-087828 5/2016
JP 2016-125608 7/2016
JP 2017-074683 4/2017
WO 2008/075681 6/2008
WO 2016/175243 11/2016
WO 2017/170866 10/2017

* cited by examiner

Primary Examiner — Mark A Goodwin

Assistant Examiner — Benjamin M Weeks

(74) *Attorney, Agent, or Firm* — Wenderoth, Lind &
Ponack, L.L.P.

(57) **CLAIM**

The ornamental design for a strip member for pipes, as shown and described.

DESCRIPTION

FIG. 1 is a front view of a strip member for pipes showing my new design;

FIG. 2 is a plan view thereof;

FIG. 3 is a bottom view thereof;

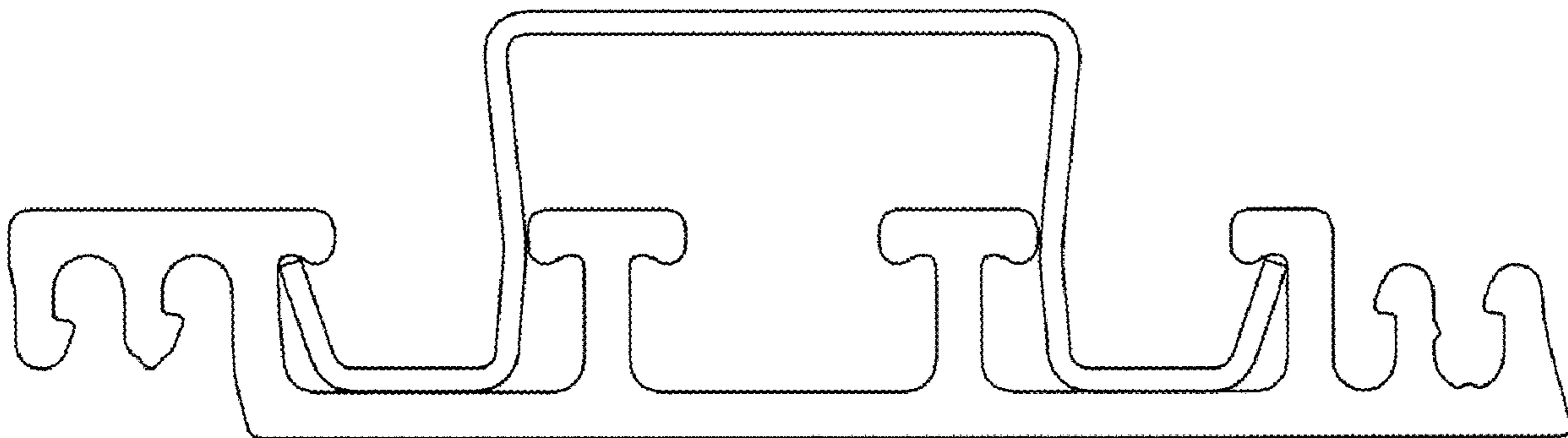
FIG. 4 is a left side view thereof;

FIG. 5 is a right side view thereof;

FIG. 6 is a perspective view thereof; and,

FIG. 7 is a reference view showing a state of use thereof.

1 Claim, 4 Drawing Sheets



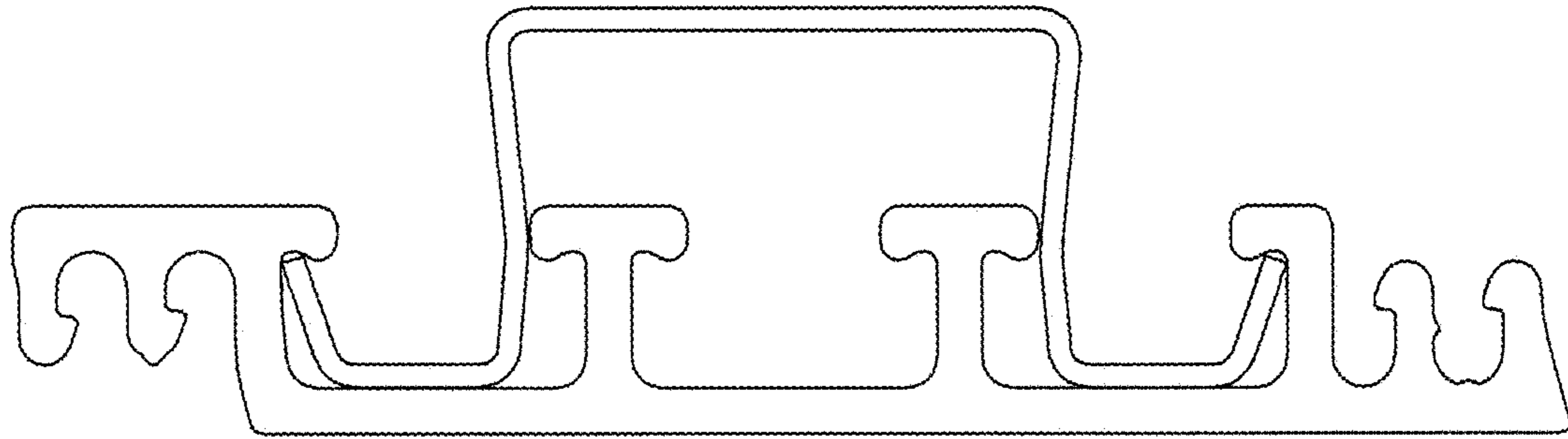


Fig. 1

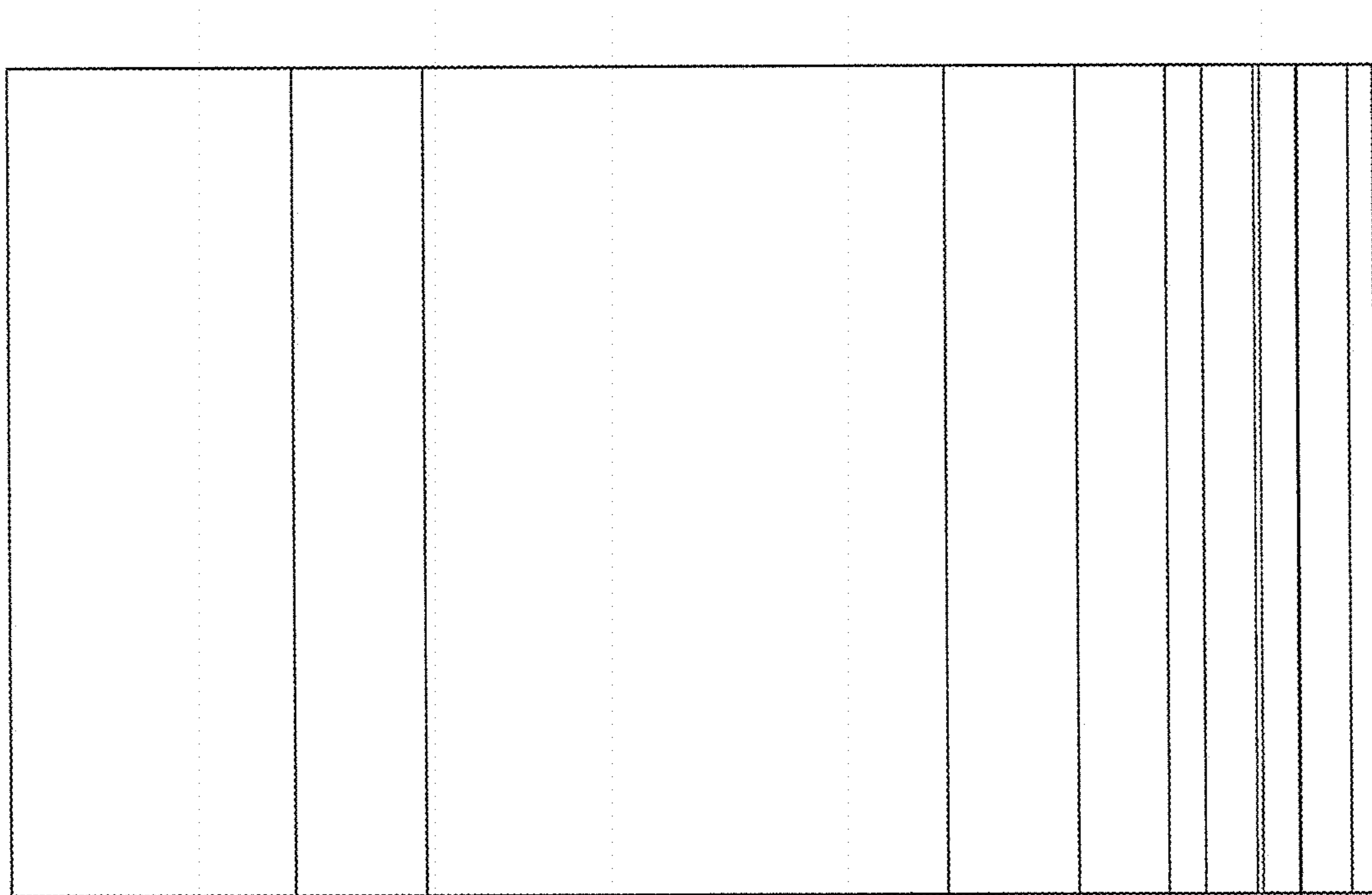


Fig. 2

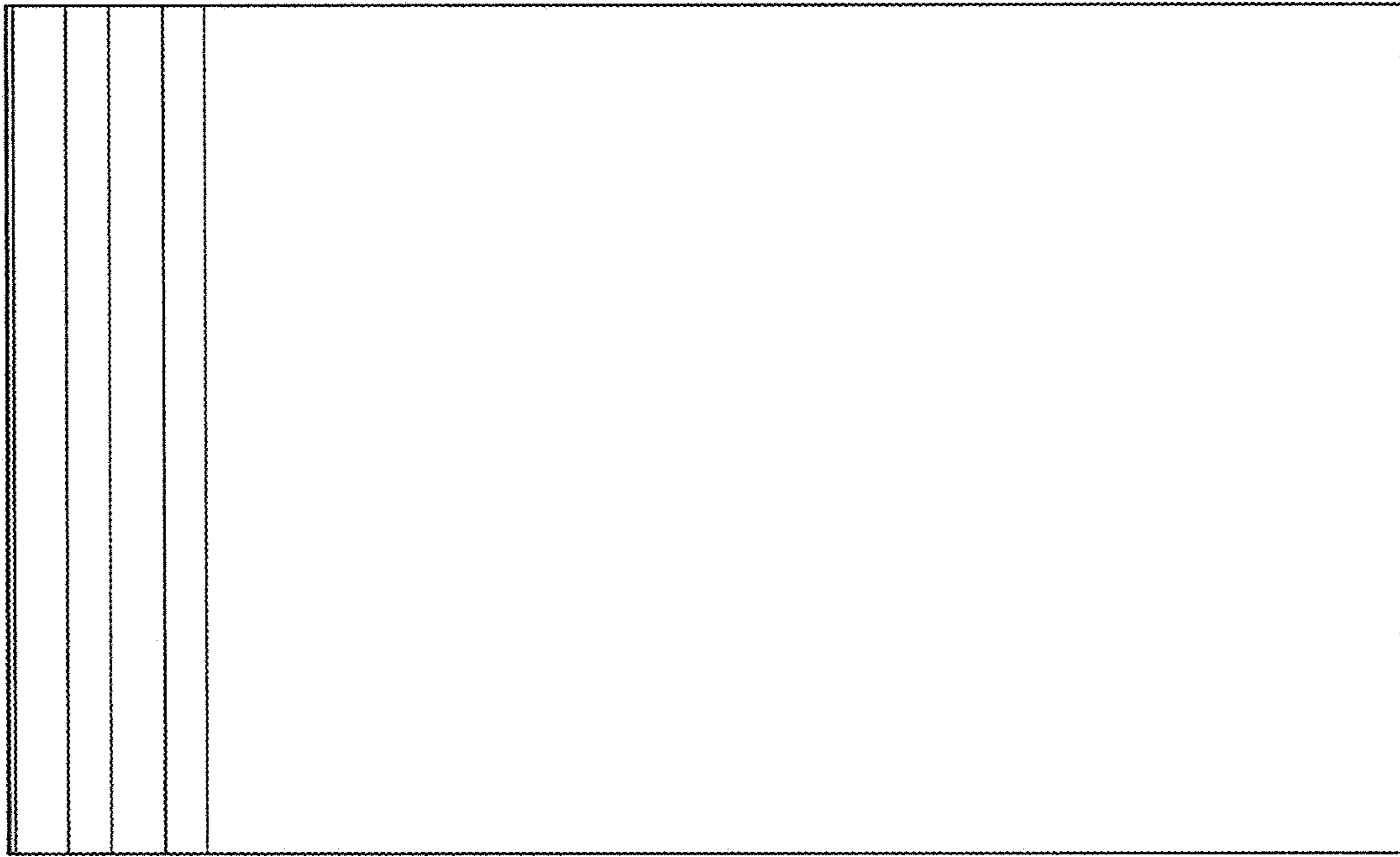


Fig. 3

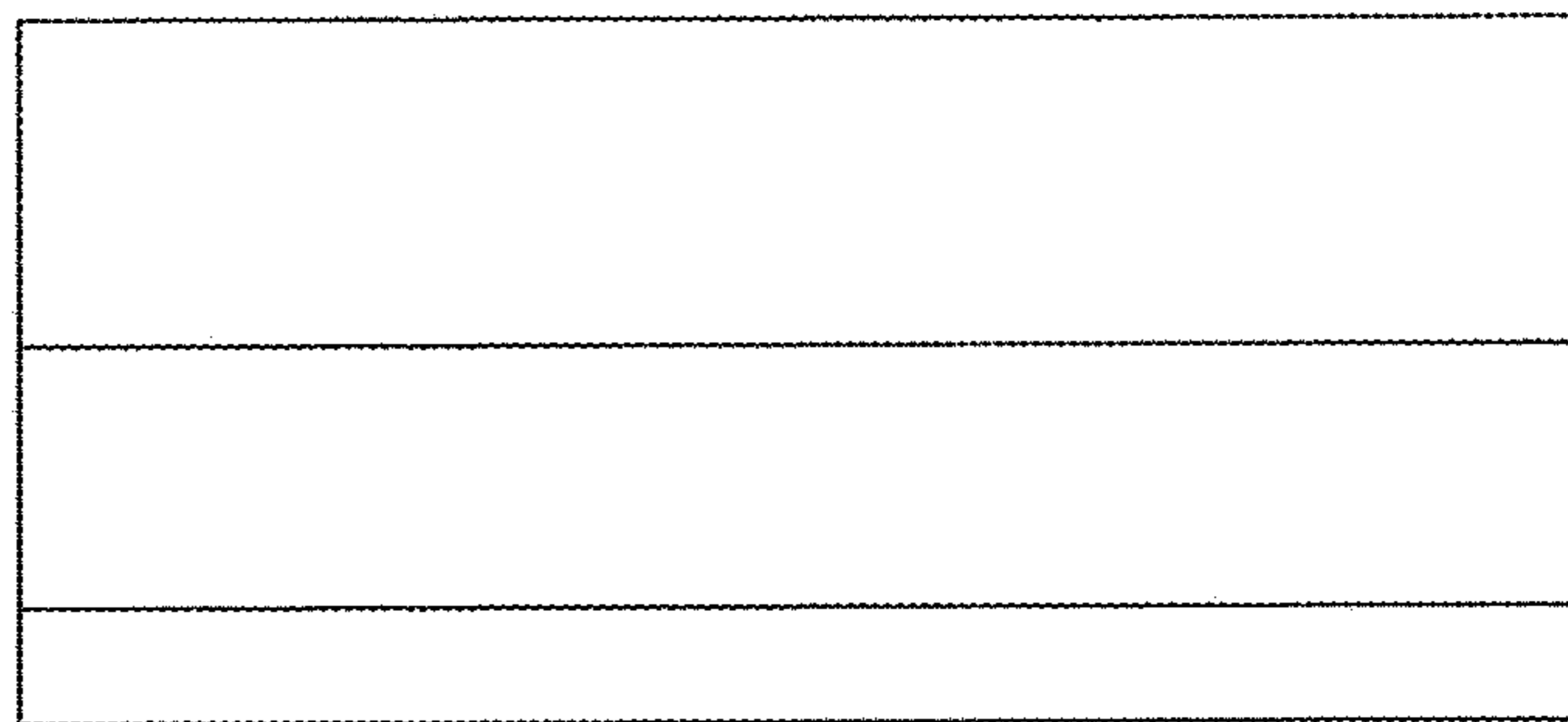


Fig. 4

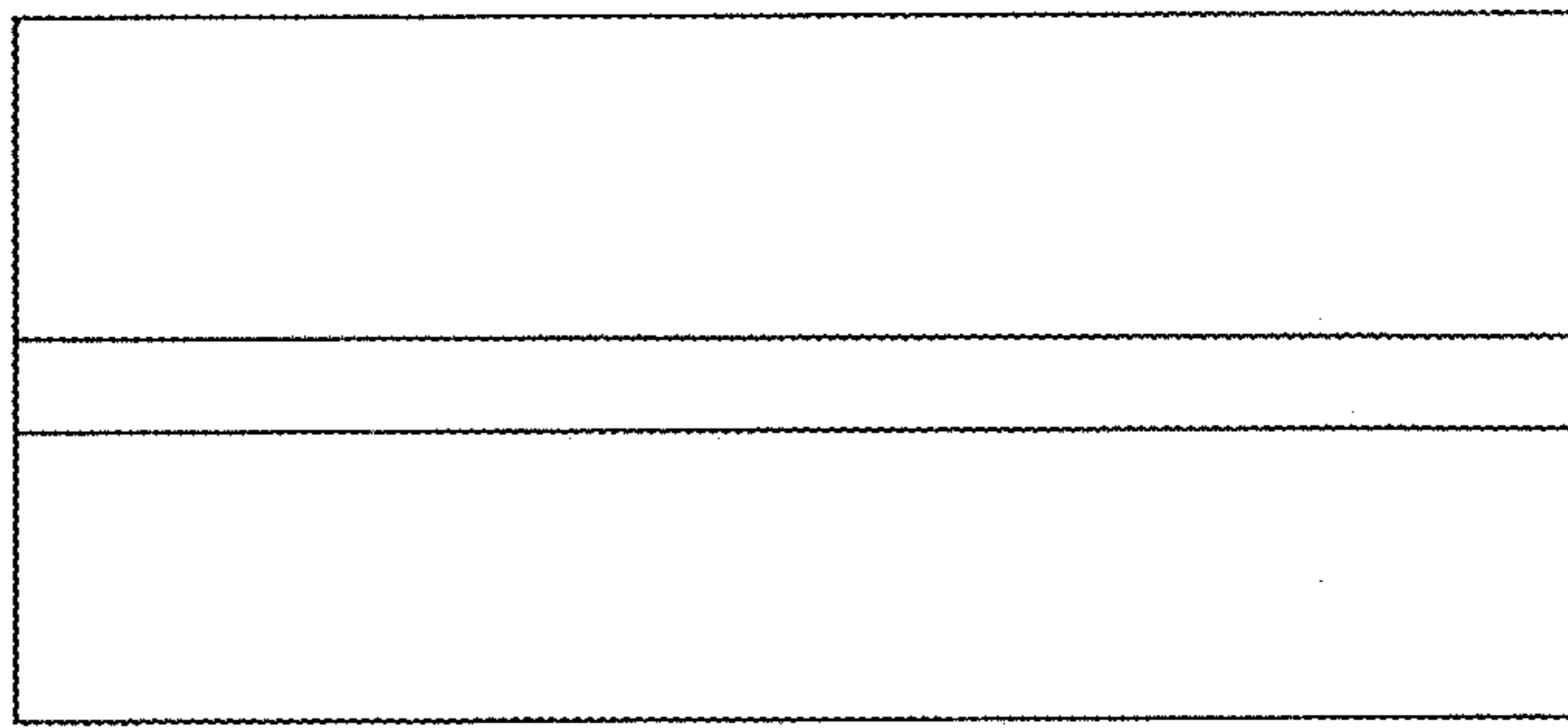


Fig. 5

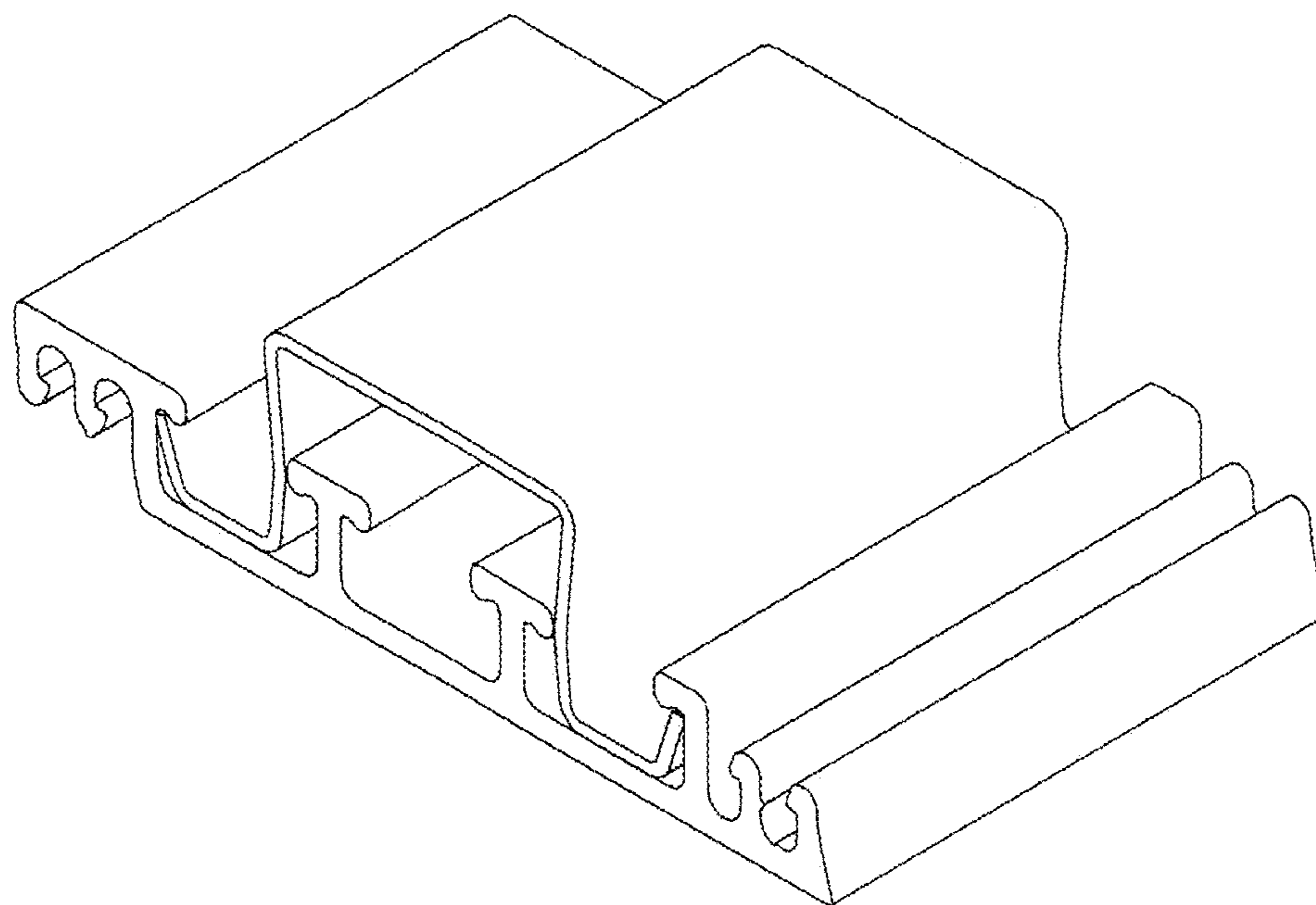


Fig. 6

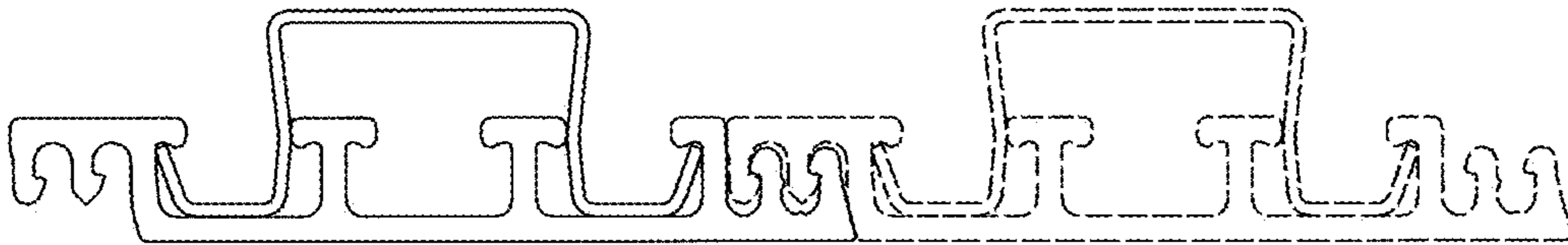


Fig. 7