



US00D875997S

(12) **United States Design Patent**
Ghasabi

(10) **Patent No.:** **US D875,997 S**

(45) **Date of Patent:** **** Feb. 18, 2020**

(54) **LIGHT FIXTURE SYSTEM**

(71) Applicant: **LUMINIZ INC.**, Etobicoke (CA)

(72) Inventor: **Amir Ghasabi**, Etobicoke (CA)

(73) Assignee: **Luminiz Inc.**, Etobicoke, Ontario (CA)

(**) Term: **15 Years**

(21) Appl. No.: **29/650,879**

(22) Filed: **Jun. 11, 2018**

(30) **Foreign Application Priority Data**

Mar. 26, 2018 (CA) 180537

(51) **LOC (12) Cl.** **26-99**

(52) **U.S. Cl.**
USPC **D26/113**

(58) **Field of Classification Search**

USPC D26/28-36, 113

CPC F21S 48/00; F21S 48/10; F21S 48/115;

F21S 48/225; F21S 48/1233; F21S

48/1266; F21S 48/1388; F21S 48/2268;

F21V 21/04; B60Q 1/30; B60Q 1/2607;

B60Q 1/2696; B62J 6/00; B62J 6/04

See application file for complete search history.

(56) **References Cited**

U.S. PATENT DOCUMENTS

D556,359 S * 11/2007 Cunius D26/75

D604,870 S * 11/2009 Hong D26/24

7,810,955 B2 * 10/2010 Stimac F21S 2/005
362/249.01

D629,139 S * 12/2010 Cai D26/72

8,142,047 B2 * 3/2012 Acampora F21V 3/00
362/217.01

D764,092 S * 8/2016 Cai D26/76

D782,095 S * 3/2017 Fletcher D26/76

* cited by examiner

Primary Examiner — Zenia I Bennett

(74) *Attorney, Agent, or Firm* — Bereskin & Parr

LLP/S.E.N.C.R.L., s.r.l.; Isis E. Caulder; Ahmed Elmallah

(57) **CLAIM**

The ornamental design for a light fixture system, as shown and described.

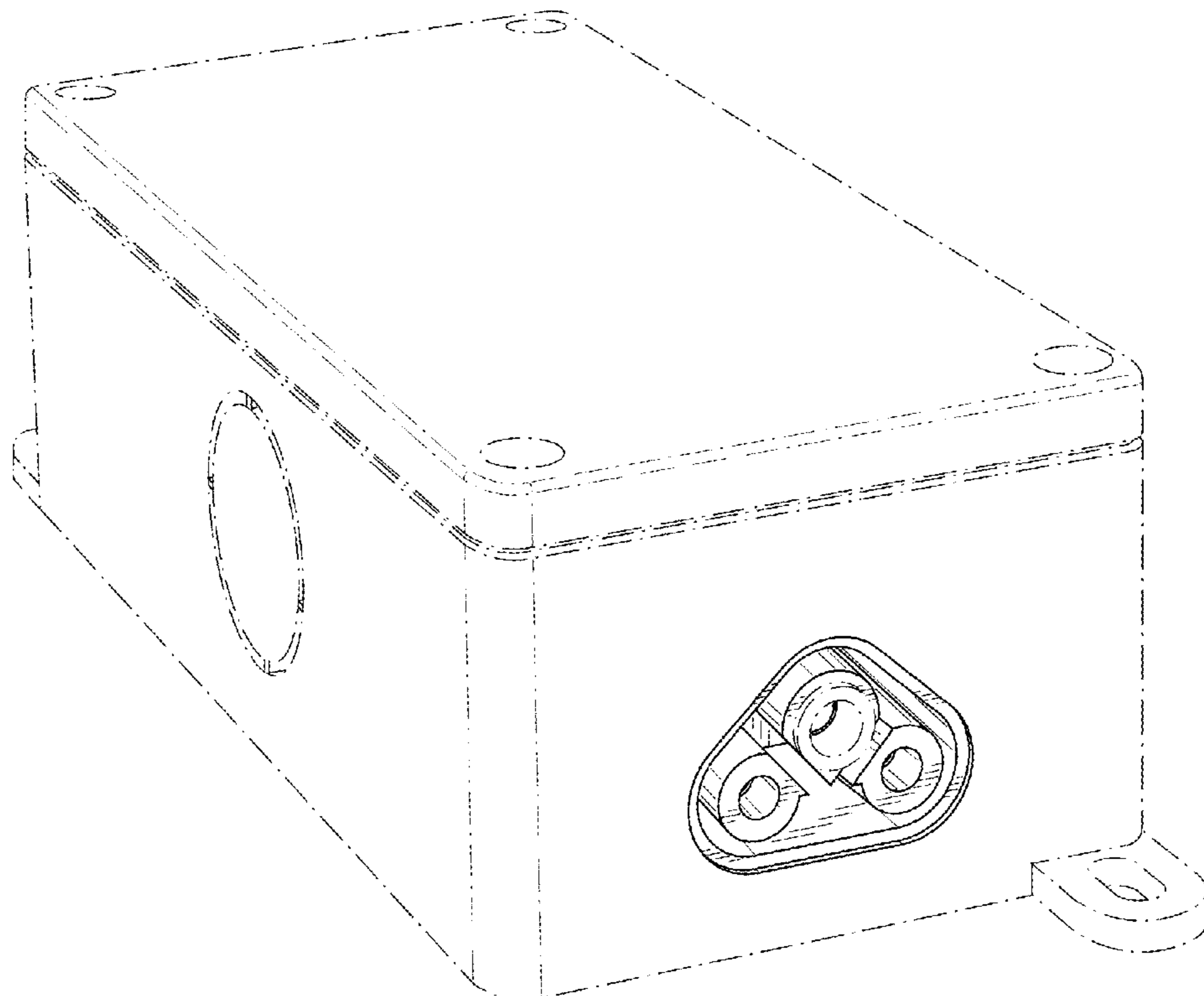
DESCRIPTION

FIG. 1 shows a top perspective view of a connector incorporated in a hard wire box of the light fixture system.

FIG. 2 shows a bottom perspective view of the design of FIG. 1; and,

FIG. 3 shows a side elevation view of the design of FIG. 1. The broken line is included for illustrative purposes only and forms no part of the claimed design

1 Claim, 3 Drawing Sheets



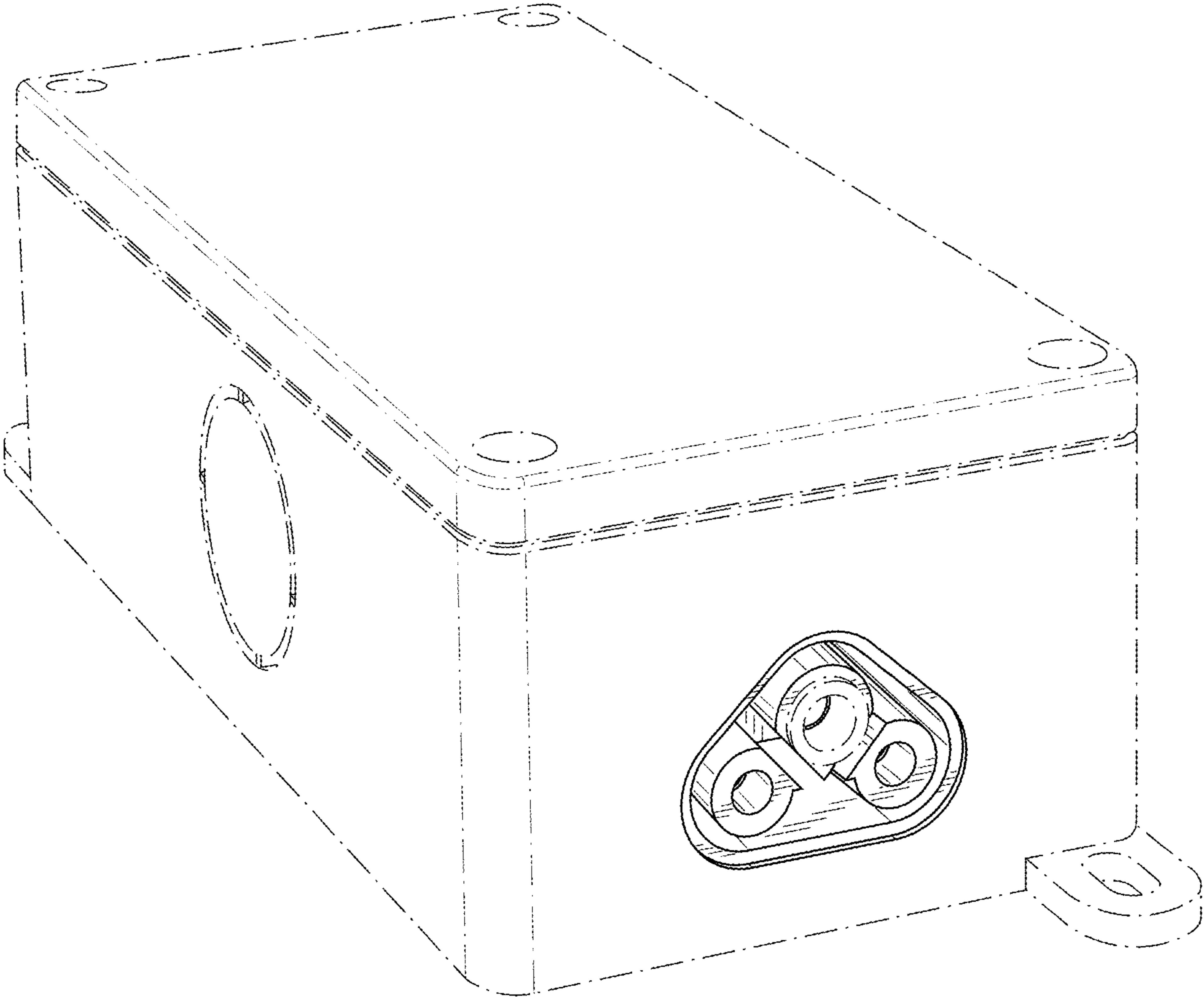


FIG. 1

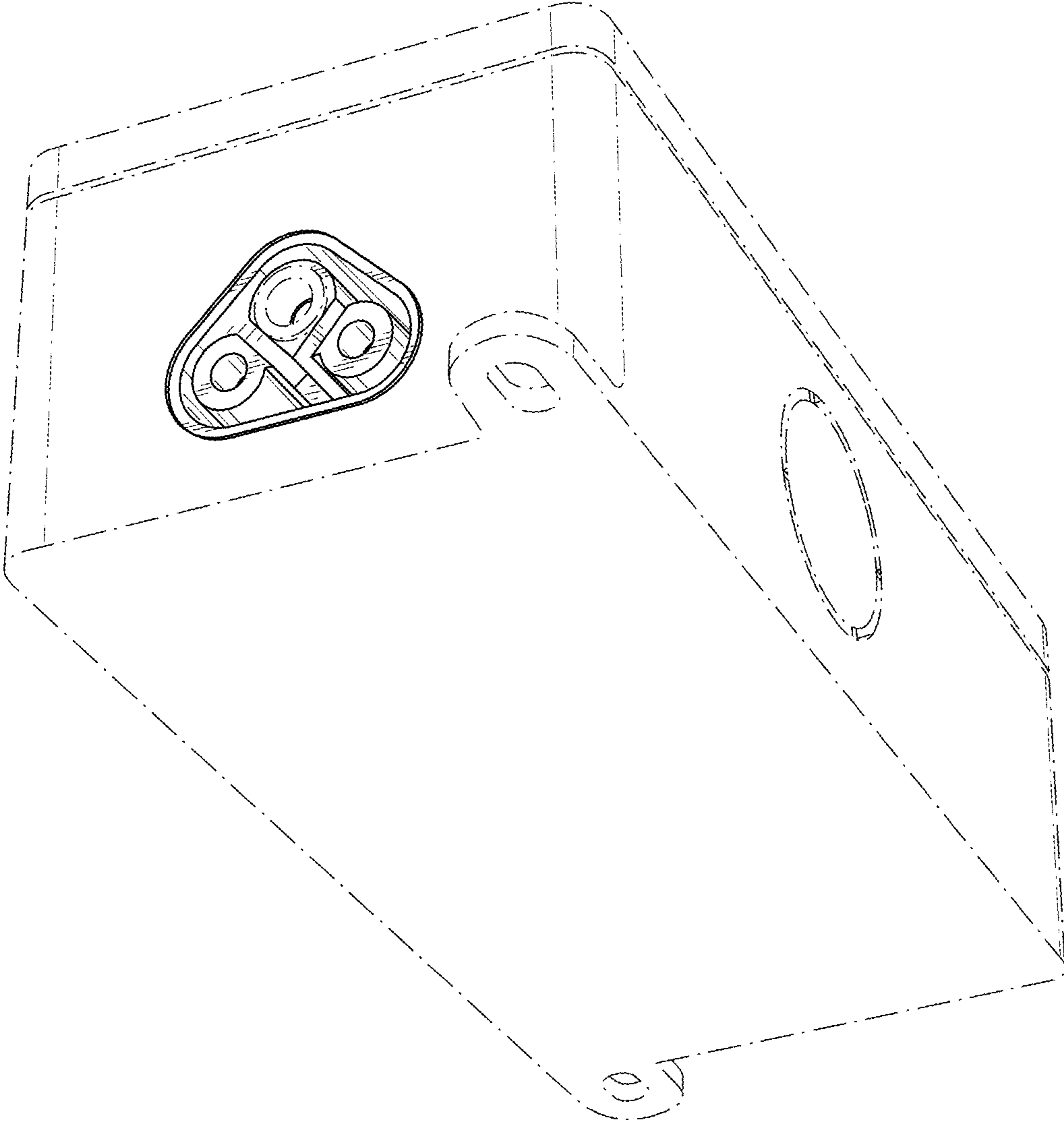


FIG. 2

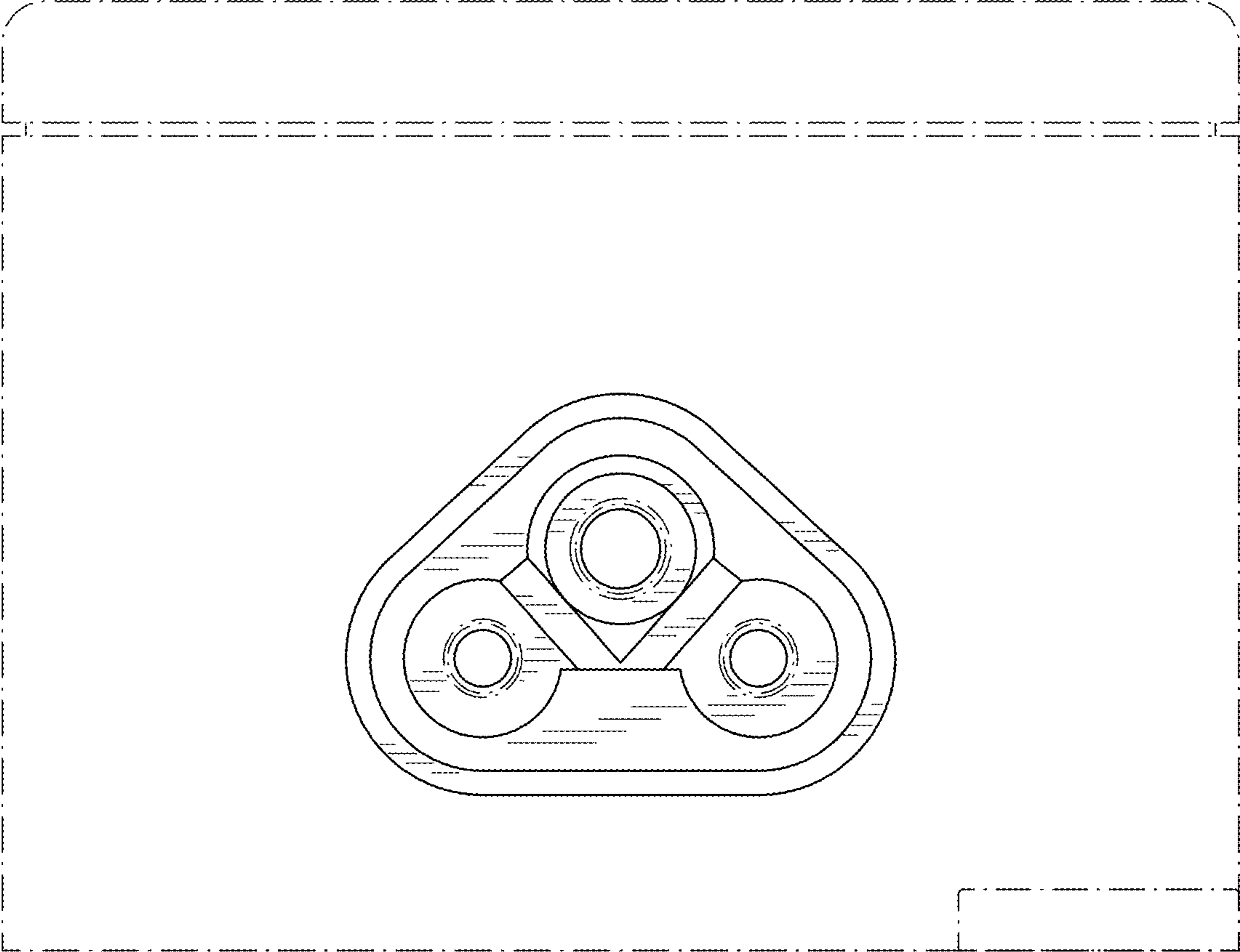


FIG. 3