



US00D875996S

(12) **United States Design Patent**
Nishio

(10) **Patent No.:** **US D875,996 S**

(45) **Date of Patent:** **** Feb. 18, 2020**

(54) **SPOT LIGHT**

(71) Applicant: **MINEBEA MITSUMI Inc.**, Nagano (JP)

(72) Inventor: **Masahisa Nishio**, Ota-ku (JP)

(73) Assignee: **MINEBEA MITSUMI INC.**, Nagano (JP)

(**) Term: **15 Years**

(21) Appl. No.: **29/621,461**

(22) Filed: **Oct. 9, 2017**

(30) **Foreign Application Priority Data**

Apr. 13, 2017 (JP) 2017-007968
Apr. 19, 2017 (JP) 2017-008410

(51) **LOC (12) Cl.** **26-99**

(52) **U.S. Cl.**
USPC **D26/113**

(58) **Field of Classification Search**
USPC D26/61, 63, 65, 67-69, 72, 88, 113
CPC .. F21S 6/00; F21S 6/002; F21V 21/00; F21V 21/02; F21V 23/04; F21W 2121/00; F21W 2131/20; F21W 2131/30; F41C 27/00

See application file for complete search history.

(56) **References Cited**

U.S. PATENT DOCUMENTS

D584,843 S *	1/2009	Kosche	D26/66
D619,289 S *	7/2010	You	D26/63
D619,290 S *	7/2010	You	D26/63
D659,871 S *	5/2012	Lee	D26/63
D729,434 S *	5/2015	Cugini	D26/110
D744,685 S *	12/2015	Zhan	D26/63

* cited by examiner

Primary Examiner — Zenia I Bennett

(74) *Attorney, Agent, or Firm* — Pearne & Gordon LLP

(57) **CLAIM**

The ornamental design for a spot light, as shown and described.

DESCRIPTION

FIG. 1 is a right-side perspective view of a spot light showing my new design;
FIG. 2 is a left-side perspective view thereof;
FIG. 3 is a front elevational view thereof;
FIG. 4 is a rear elevational view thereof;
FIG. 5 is a right-side elevational view thereof;
FIG. 6 is a left-side elevational view thereof;
FIG. 7 is a top plan view thereof; and,
FIG. 8 is a bottom plan view thereof.
The broken lines shown in the drawings depict portions of the spot light that form no part of the claimed design.

1 Claim, 8 Drawing Sheets

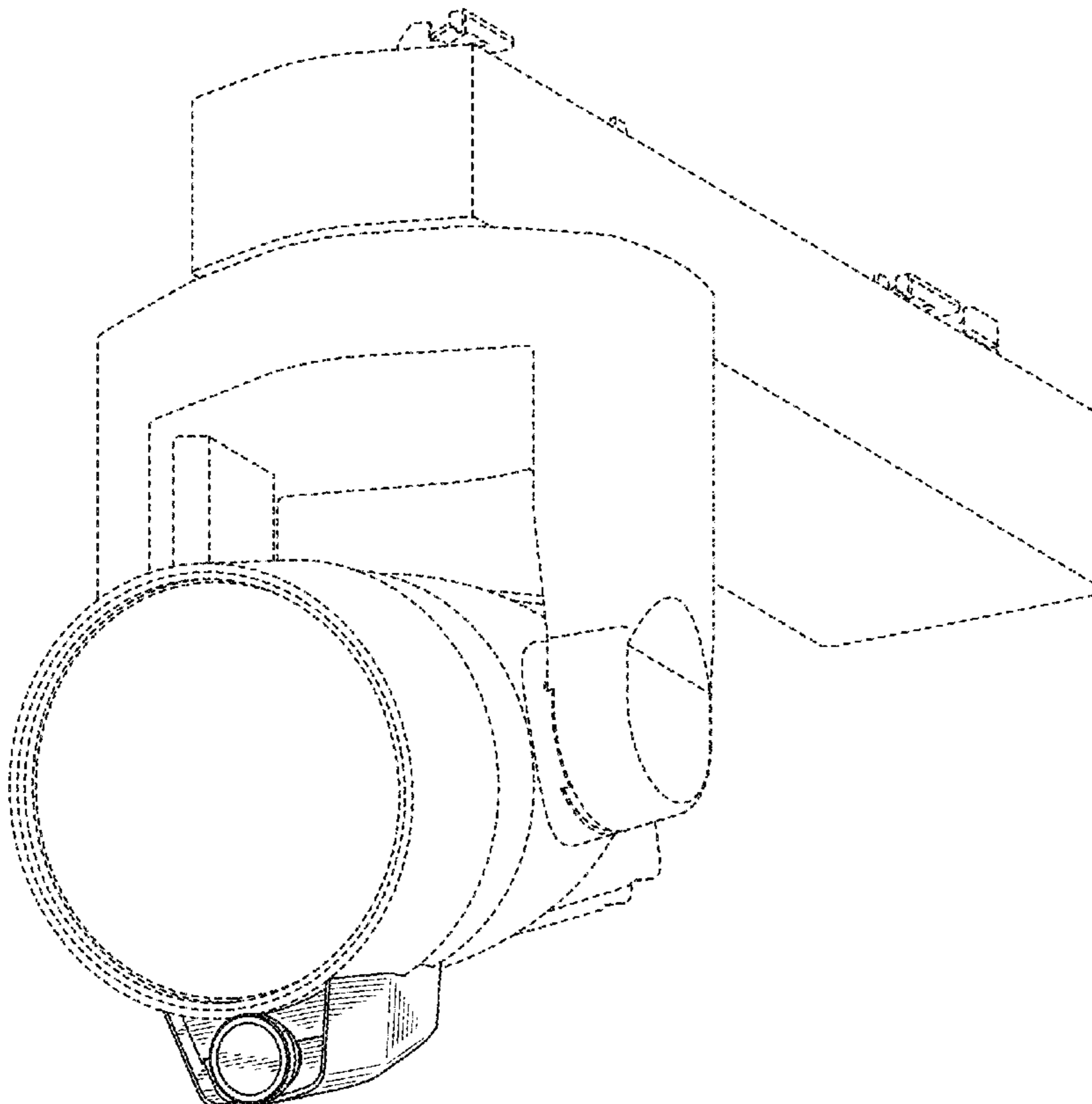


FIG. 1

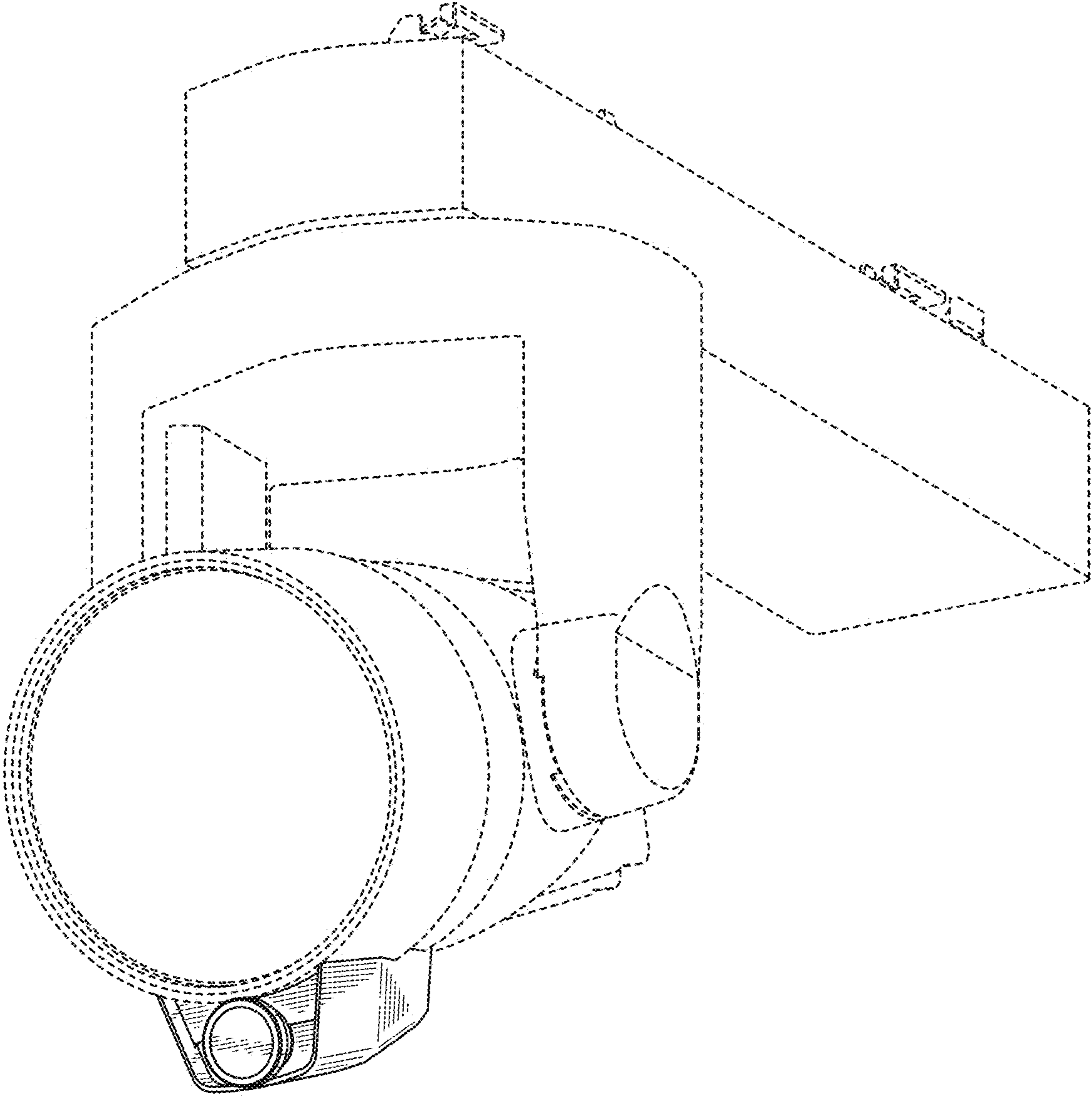


FIG. 2

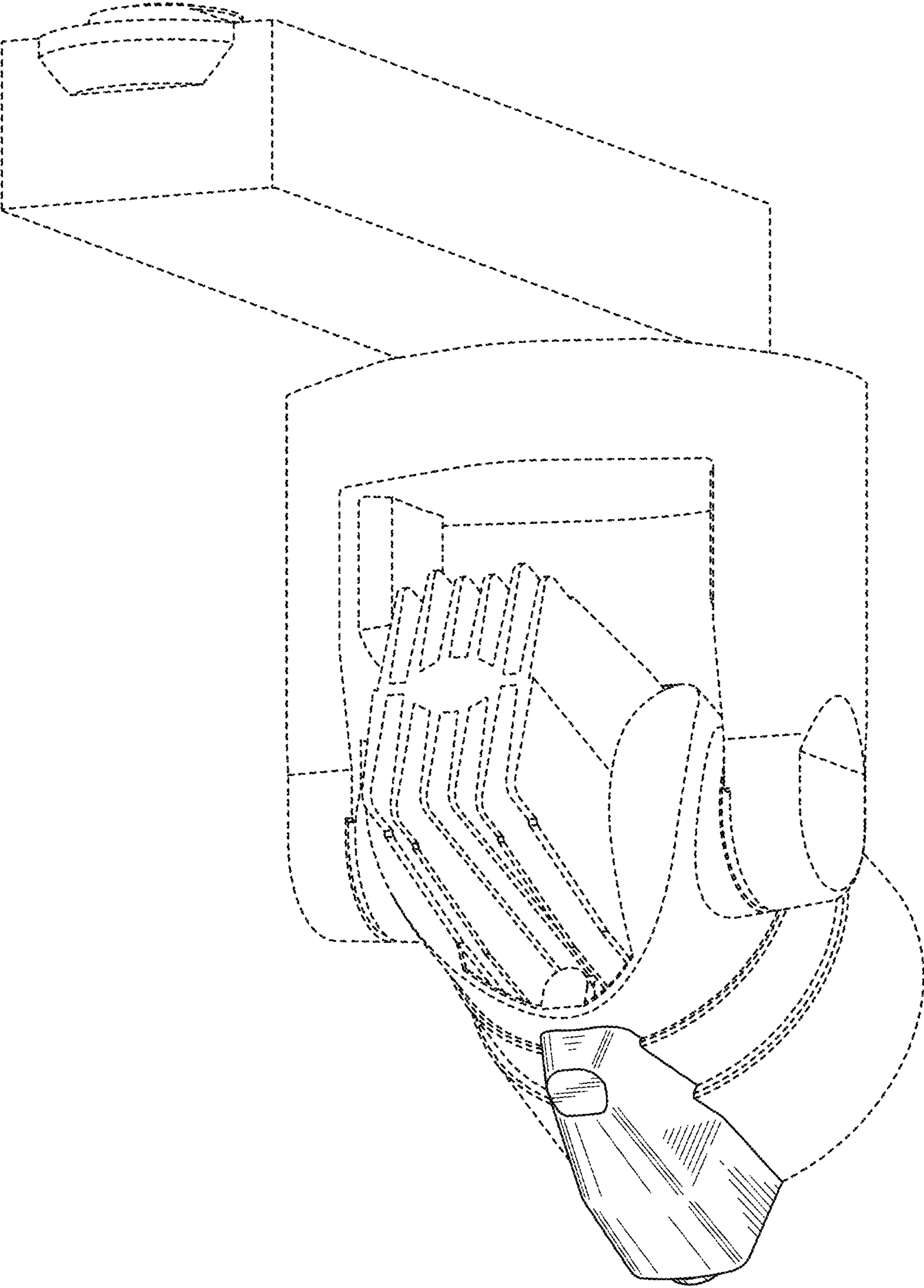
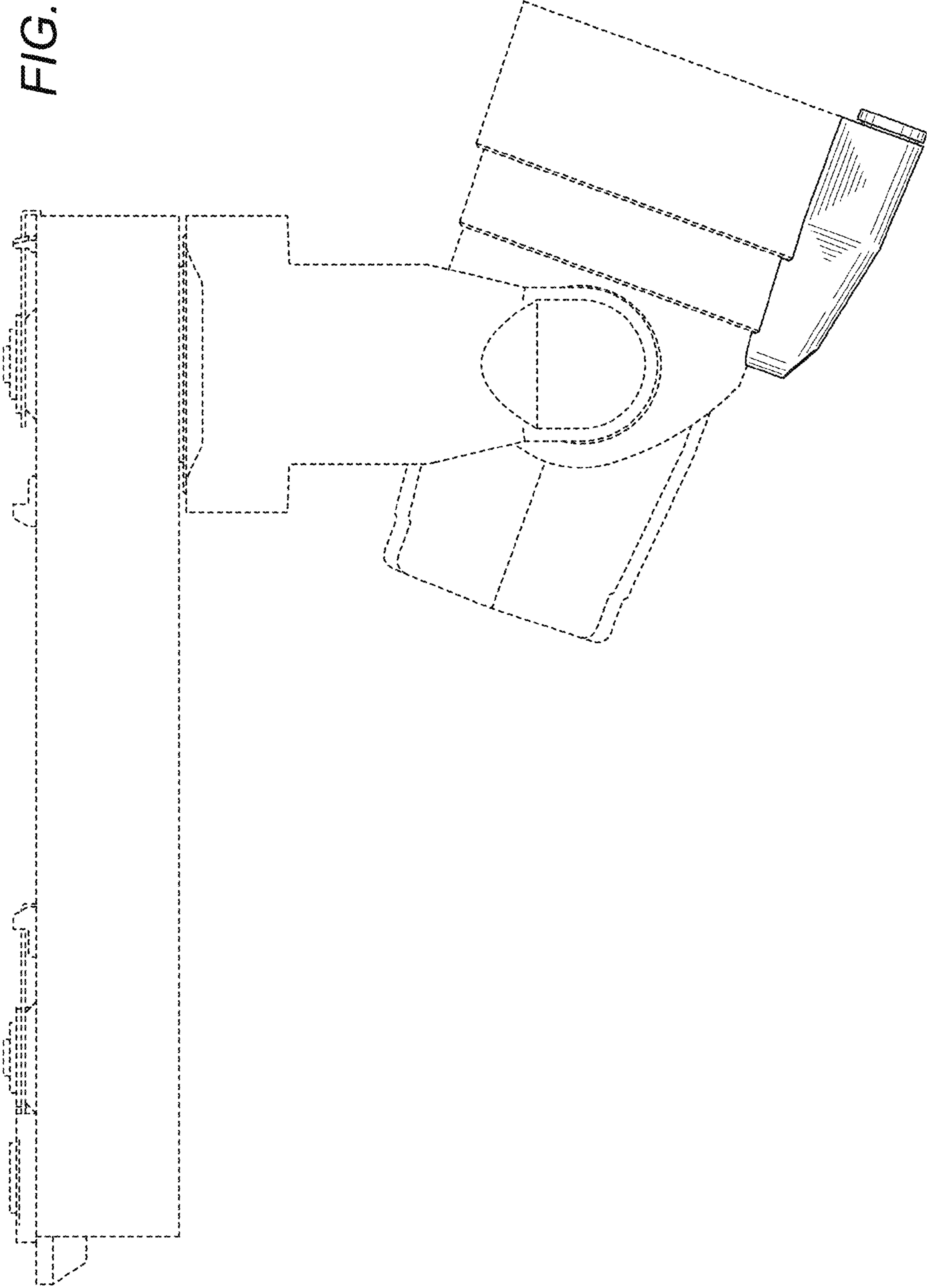


FIG. 3



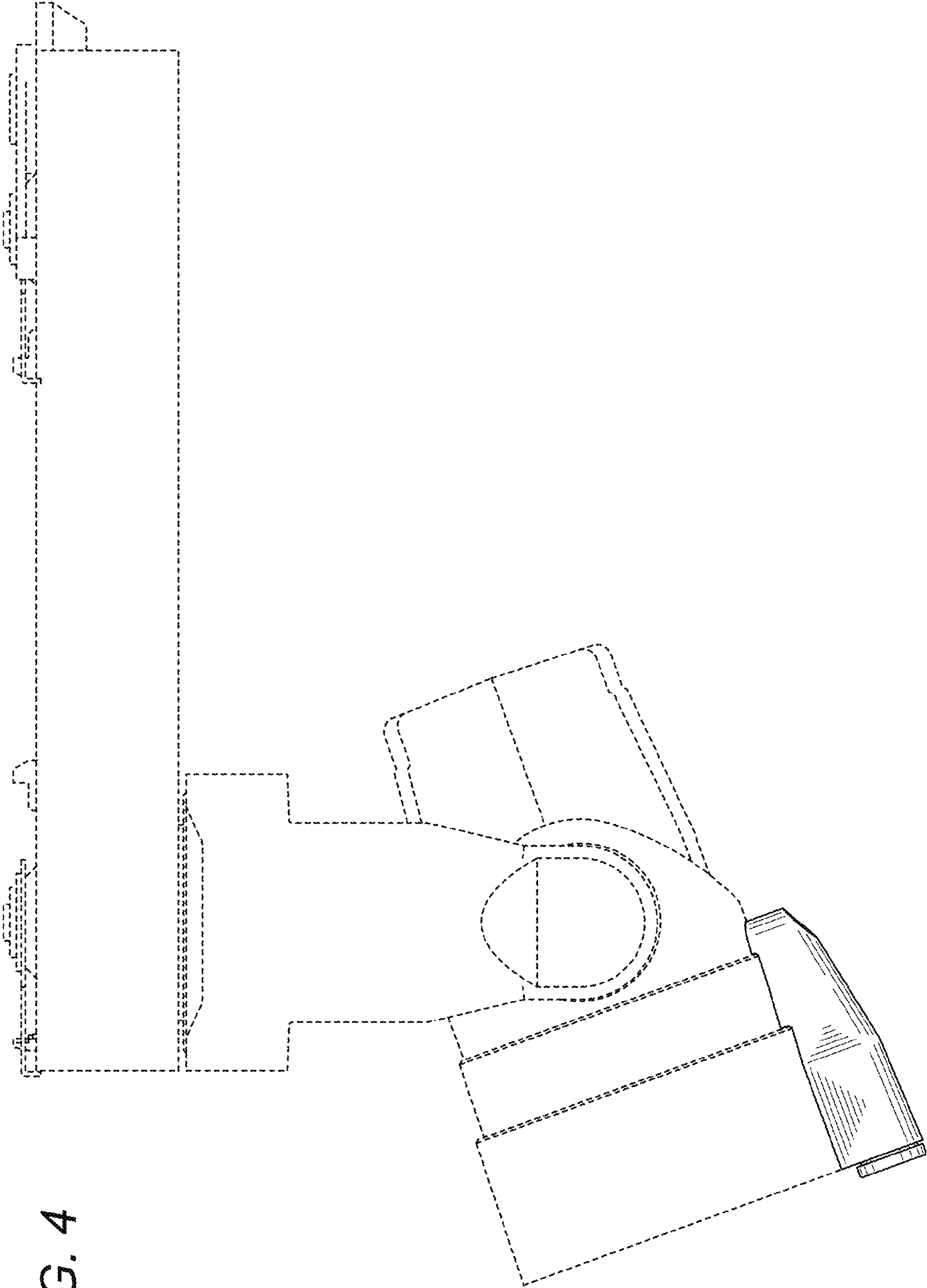


FIG. 4

FIG. 5

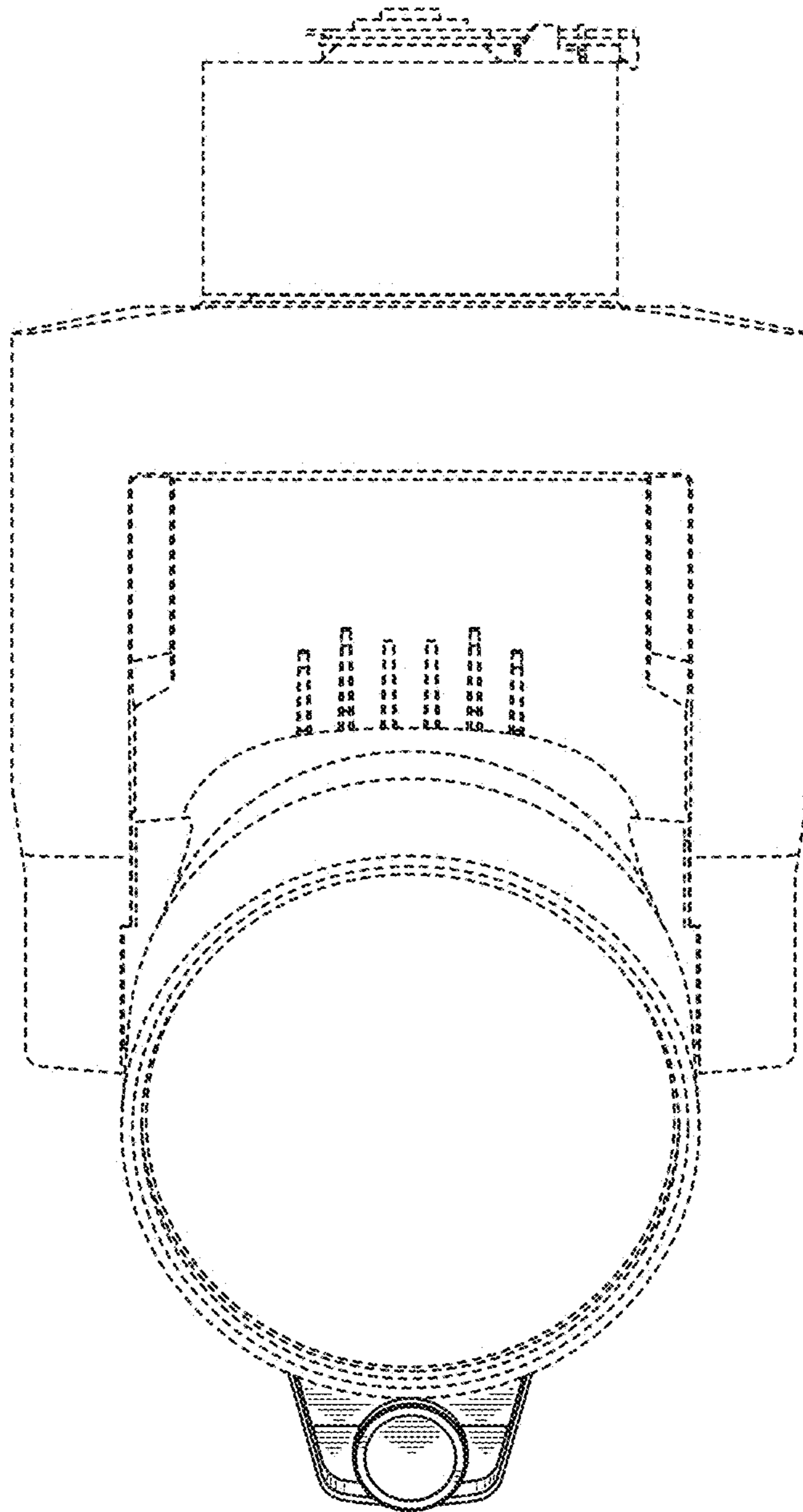


FIG. 6

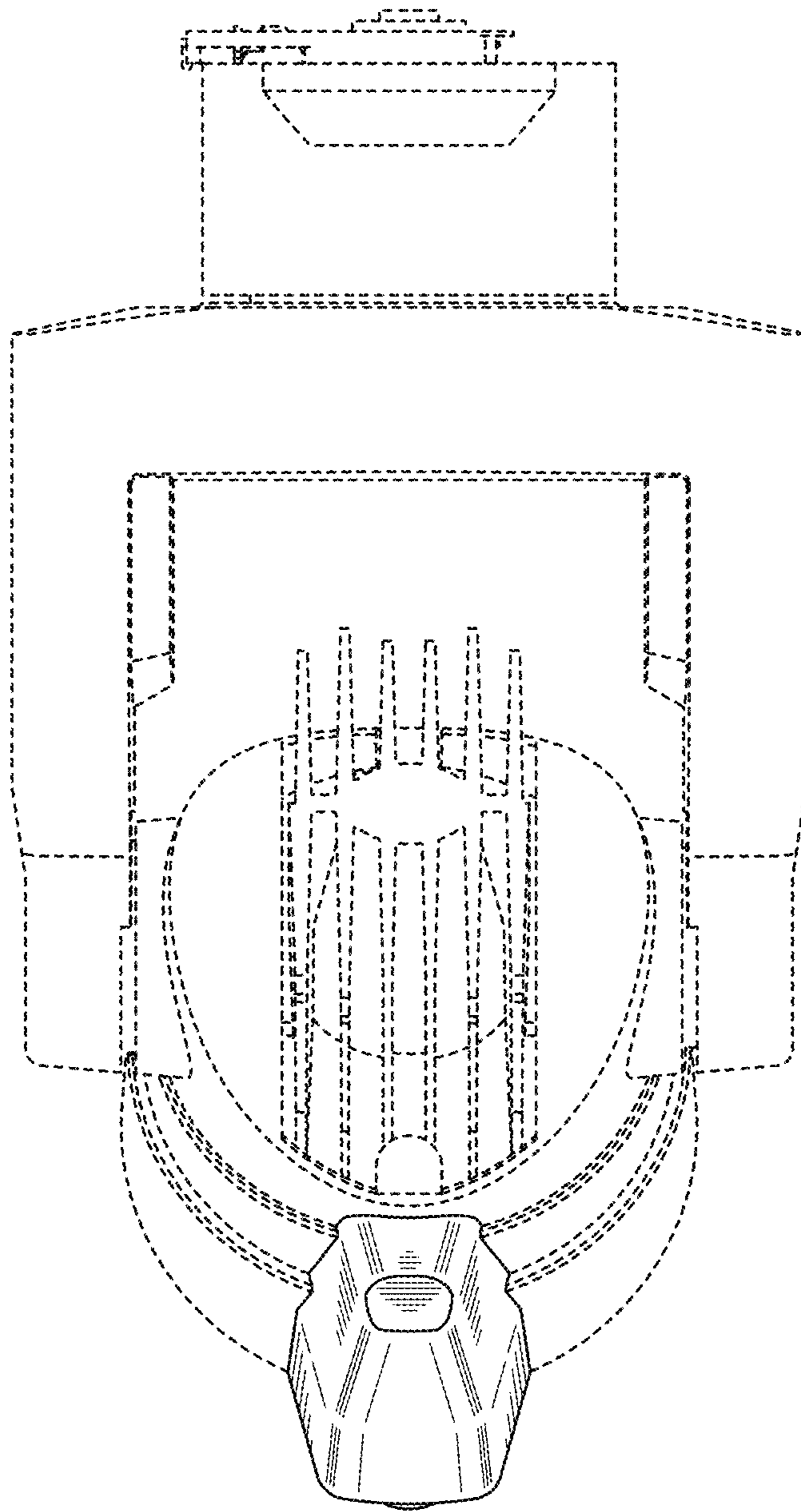
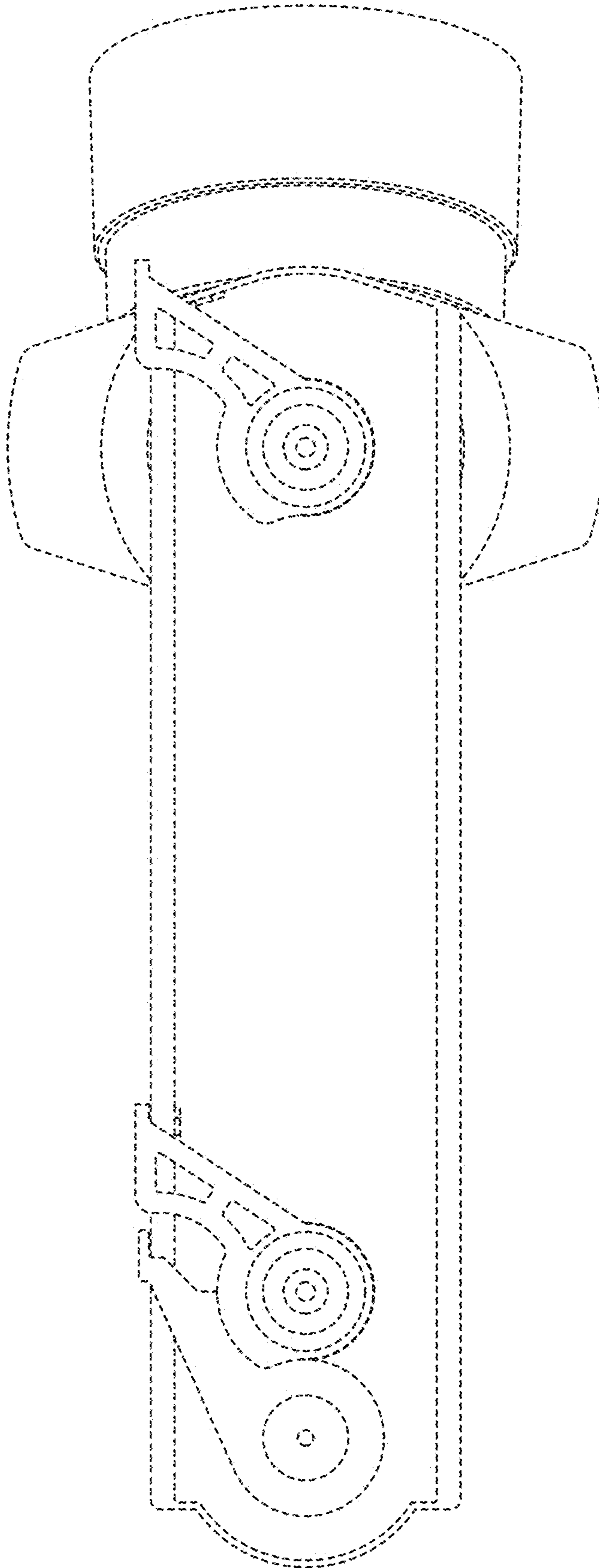


FIG. 7



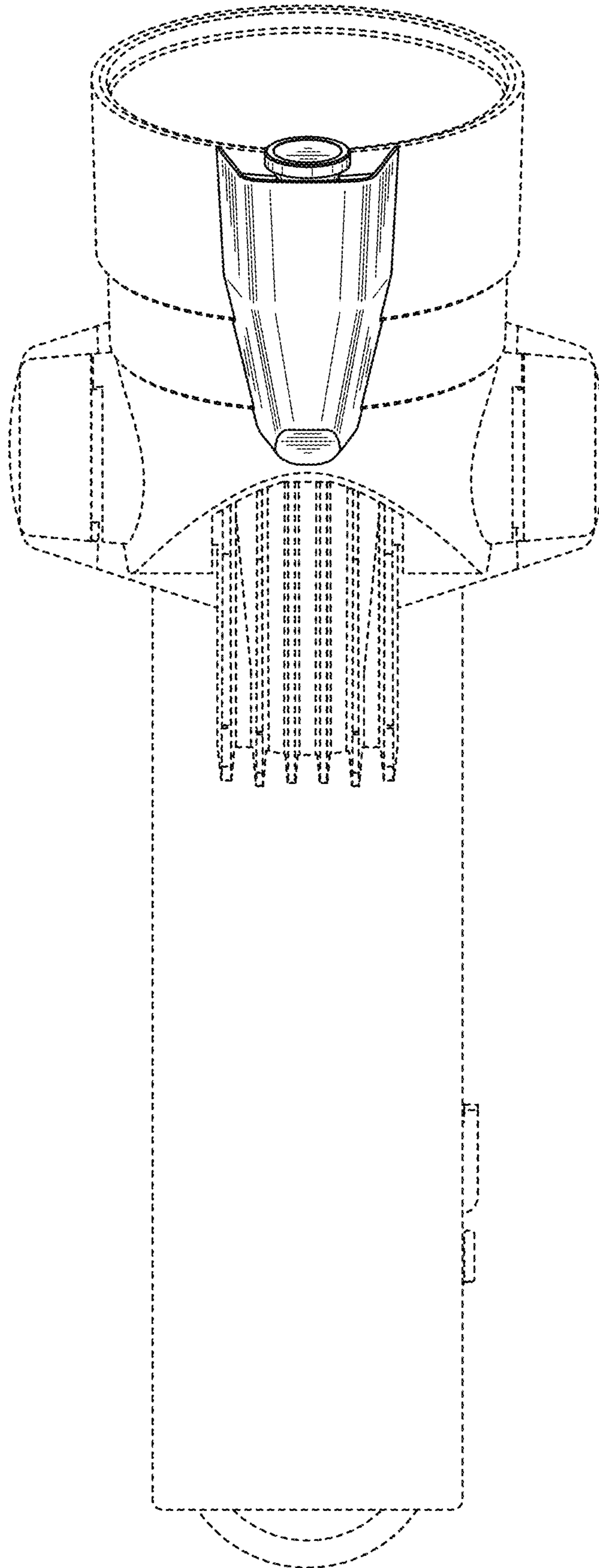


FIG. 8