



US00D875995S

(12) **United States Design Patent**
Wang

(10) **Patent No.:** **US D875,995 S**

(45) **Date of Patent:** **** Feb. 18, 2020**

(54) **FLOOR ARC LAMP**

(71) Applicant: **Gangcheng Wang**, Guangdong (CN)

(72) Inventor: **Gangcheng Wang**, Guangdong (CN)

(**) Term: **15 Years**

(21) Appl. No.: **29/653,931**

(22) Filed: **Jun. 20, 2018**

(51) **LOC (12) Cl.** **26-03**

(52) **U.S. Cl.**
USPC **D26/107**

(58) **Field of Classification Search**
USPC D26/1, 24, 61, 6, 93-94, 101, 104-110,
D26/113, 118

CPC F21S 6/00; F21S 6/002; F21S 8/036; F21S
8/08; F21V 21/00; F21V 21/02; F21V
21/06; F21V 21/116; F21W 2131/30
See application file for complete search history.

(56) **References Cited**

U.S. PATENT DOCUMENTS

D262,407 S * 12/1981 Ball D26/24
D571,943 S * 6/2008 Tragatschnig D26/65

D589,641 S * 3/2009 Sabernig D26/93
D609,852 S * 2/2010 Stoepker D26/107
D655,033 S * 2/2012 Verelst D26/107

* cited by examiner

Primary Examiner — Brian N. Vinson

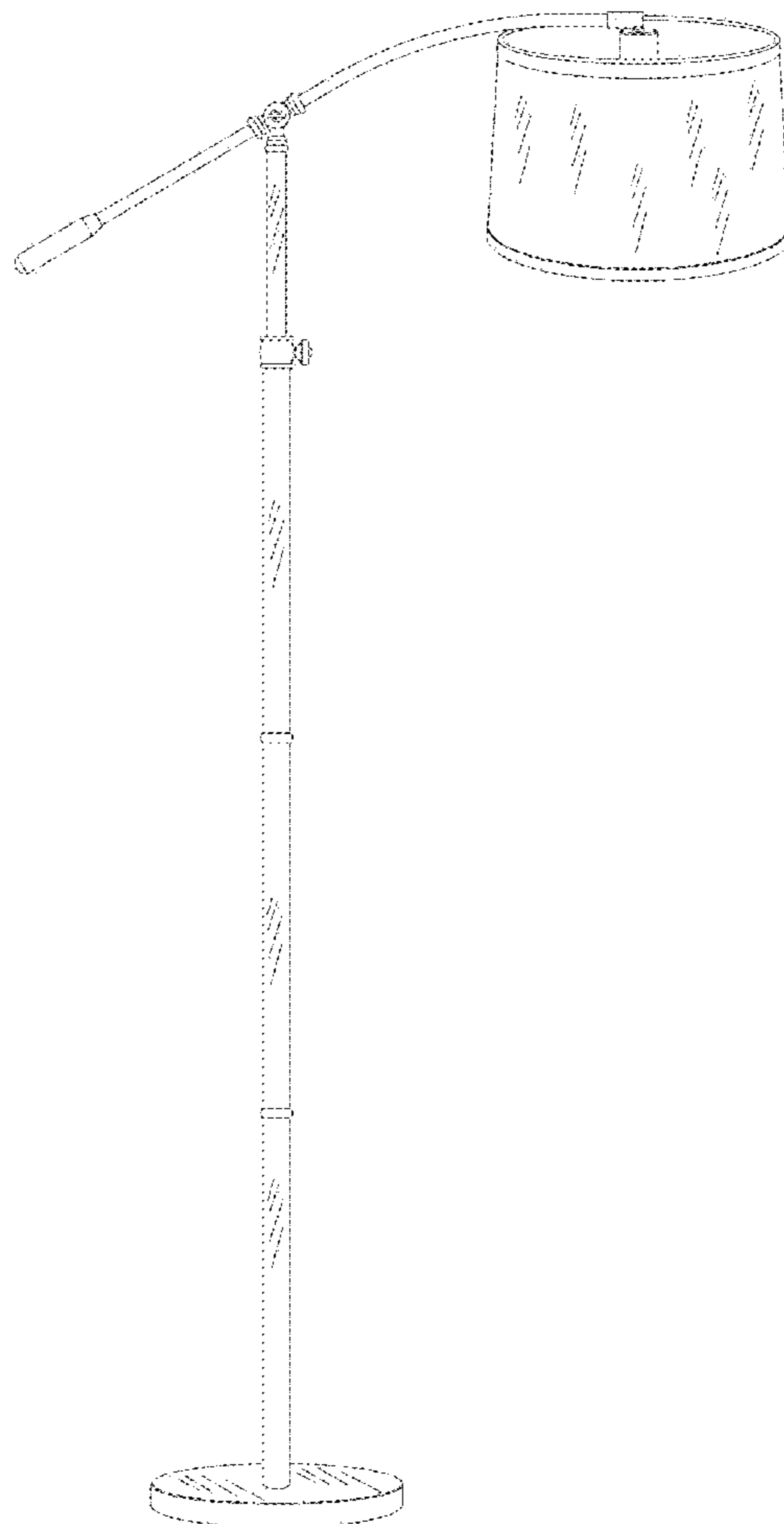
(57) **CLAIM**

The ornamental design for a floor arc lamp, as shown and described.

DESCRIPTION

FIG. 1 is a perspective view of a floor arc lamp showing my new design;
FIG. 2 is a front elevational view thereof, the rear being a mirror image;
FIG. 3 is a right side elevational view thereof;
FIG. 4 is a left side elevational view thereof; and,
FIG. 5 is a top plan view thereof.
The bottom of the floor arc lamp is unornamented.

1 Claim, 5 Drawing Sheets



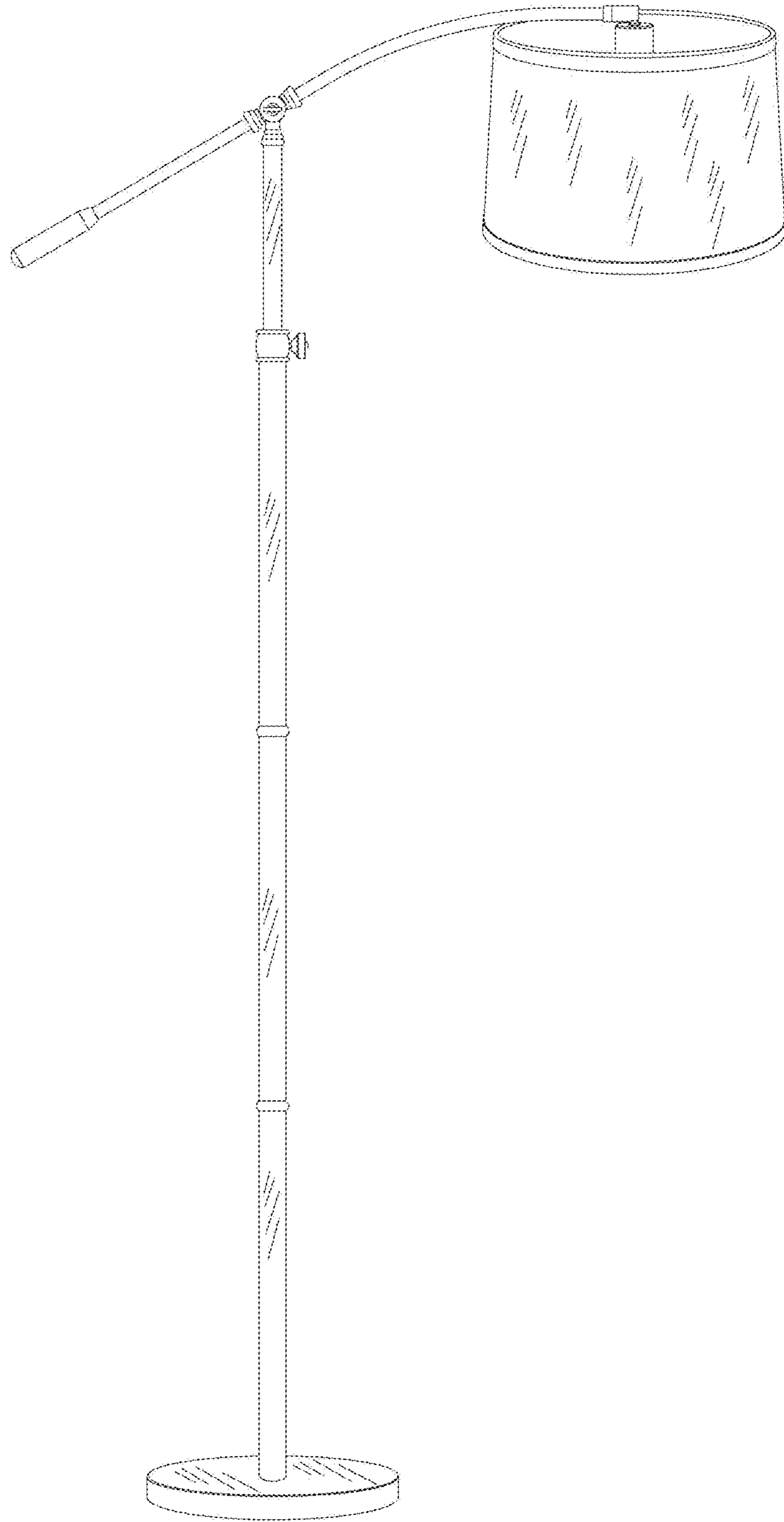


FIG. 1

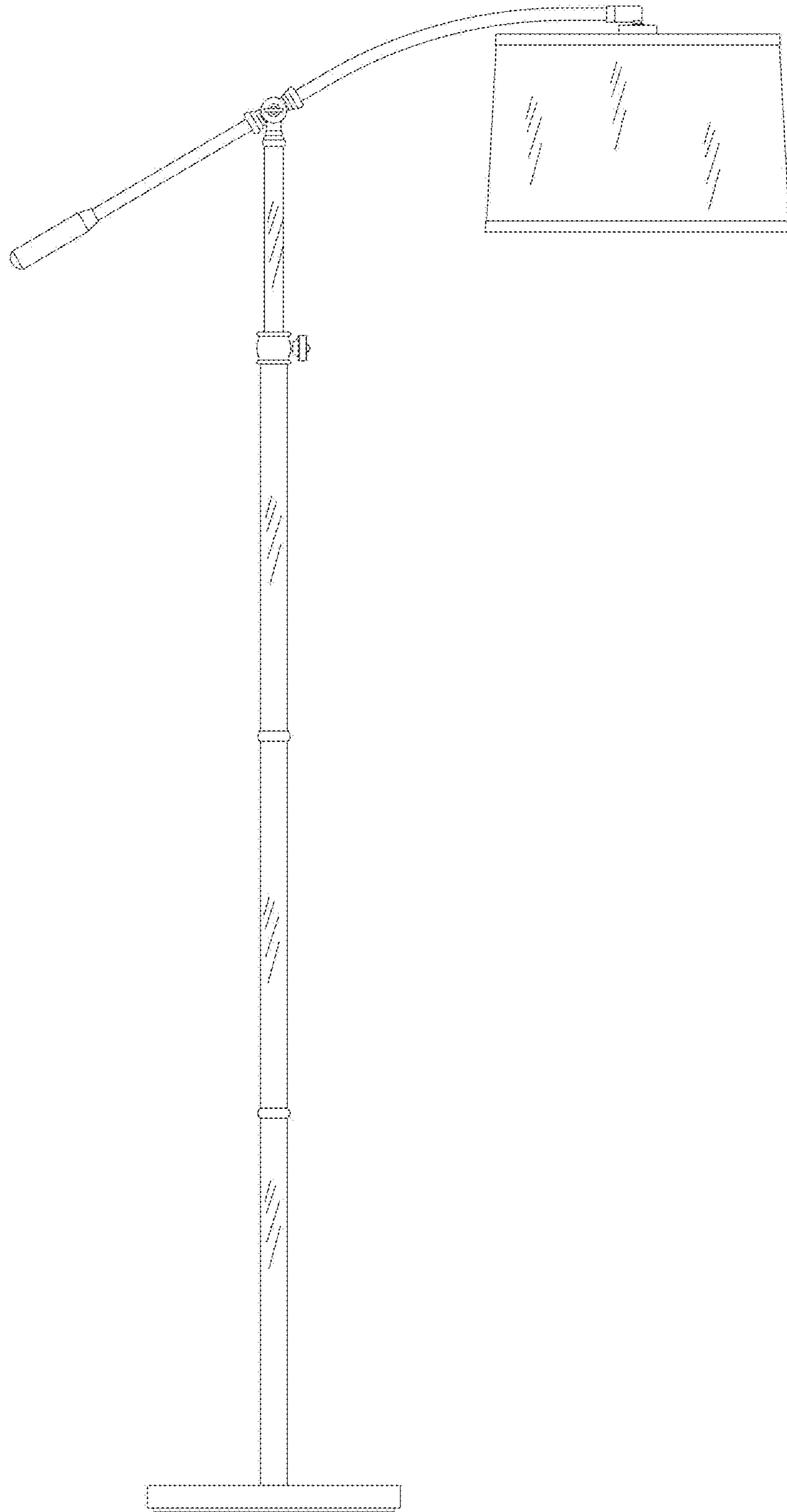


FIG. 2

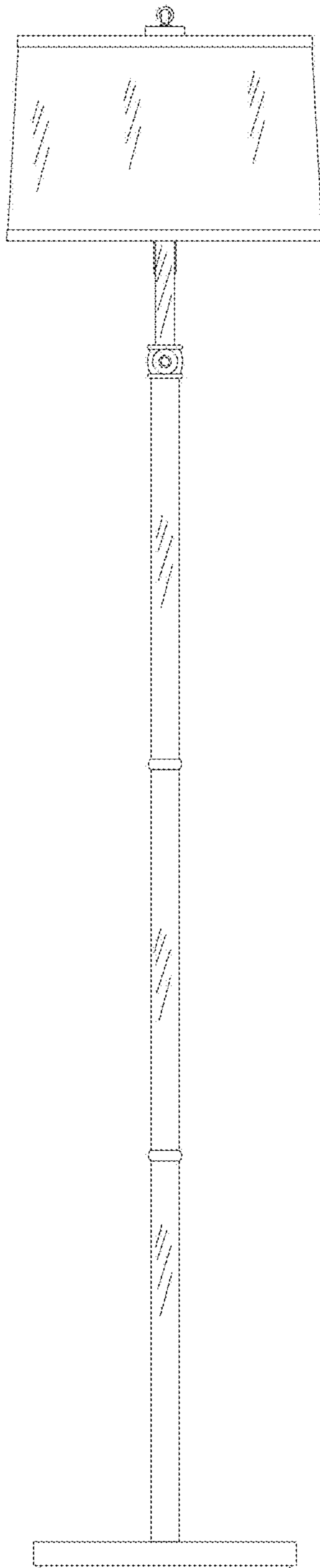


FIG.3

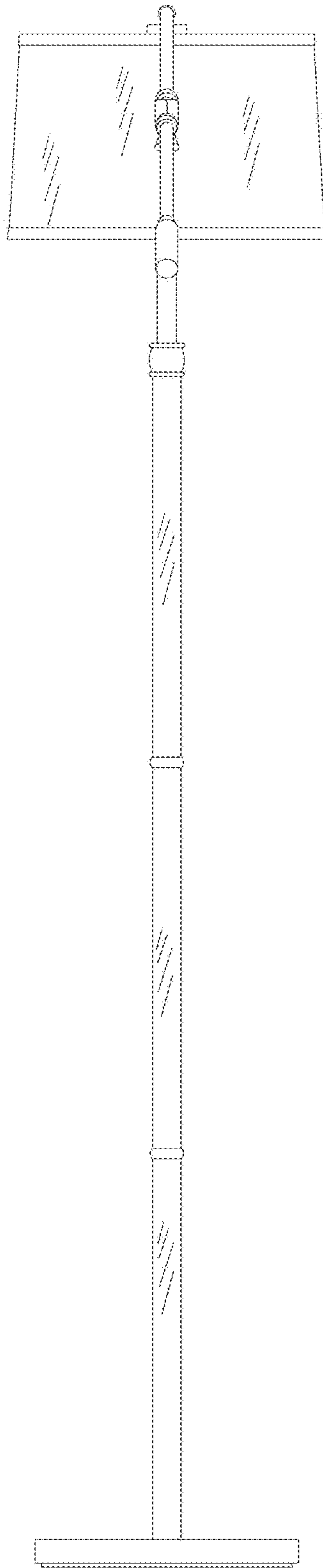


FIG. 4

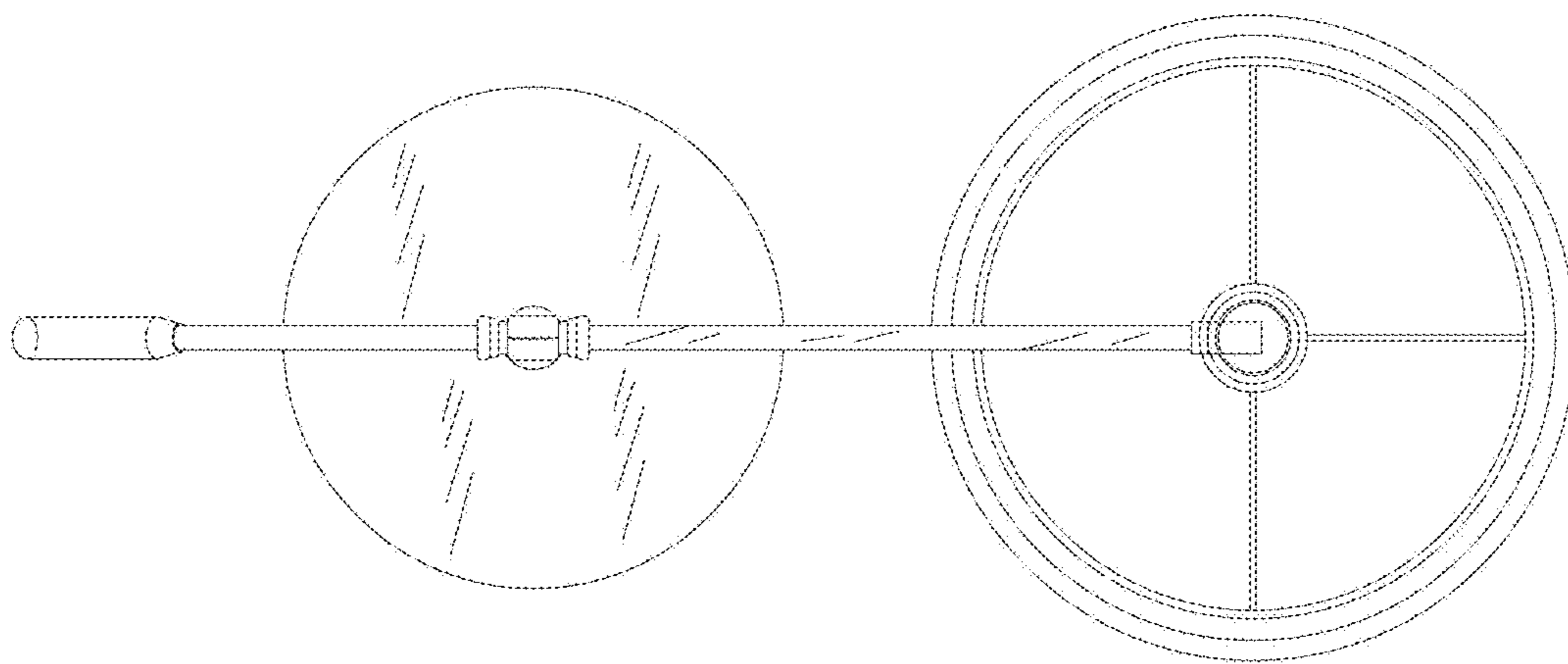


FIG. 5