



US00D875992S

(12) **United States Design Patent**
Khubani

(10) **Patent No.:** **US D875,992 S**

(45) **Date of Patent:** **** Feb. 18, 2020**

(54) **LIGHTING FIXTURE**

(71) Applicant: **DaVinci II CSJ, LLC**, Fairfield, NJ
(US)

(72) Inventor: **Ajit Khubani**, Saddle River, NJ (US)

(73) Assignee: **DaVinci II CSJ, LLC**, Fairfield, NJ
(US)

(**) Term: **15 Years**

(21) Appl. No.: **29/648,906**

(22) Filed: **May 24, 2018**

(51) **LOC (12) Cl.** **26-03**

(52) **U.S. Cl.**
USPC **D26/85**

(58) **Field of Classification Search**
USPC D26/72, 80, 85, 89; D10/106.6, 106.8
CPC F21S 8/03; F21S 8/033; F21S 8/036; F21S
8/037; F21S 9/022; F21S 9/024; F21S
9/03; F21S 9/035; F21S 9/037; F21W
2131/107; G08B 13/193
See application file for complete search history.

(56) **References Cited**

U.S. PATENT DOCUMENTS

D236,647 S *	9/1975	Stewart	D26/85
4,015,163 A *	3/1977	Iacobelli	F21S 8/033 312/238
D791,994 S	7/2017	Liu	
D816,259 S *	4/2018	Liu	D26/85
D836,816 S *	12/2018	Liu	D26/85
D841,218 S *	2/2019	Liu	D26/85
D841,864 S *	2/2019	Liu	D26/85
D841,865 S *	2/2019	Deng	D26/85
D844,212 S *	3/2019	Chen	D26/85
D846,177 S *	4/2019	Wen	D26/85
D848,658 S *	5/2019	Tan	D26/85

D850,701 S *	6/2019	Zhuo	D26/85
2009/0034242 A1 *	2/2009	Engel	F21S 8/033 362/147
2017/0321877 A1 *	11/2017	Polidoro	F21S 8/033

FOREIGN PATENT DOCUMENTS

EP	003109495-0002	5/2016
EP	003764760-0001	2/2017
EP	003770270-0001	2/2017

OTHER PUBLICATIONS

Litom Original Solar Lights Outdoor, 3 Optional Modes Wireless Motion Sensor Light with 270° Wide Angle, IP65 Waterproof, Easy-to-Install Security Lights for Front Door, Yard, Garage, Deck. Sold by StarTOP at amazon.com as early as Aug. 5, 2016. (Year: 2016).*

(Continued)

Primary Examiner — Clare E Heflin

(74) *Attorney, Agent, or Firm* — Cooper & Dunham LLP

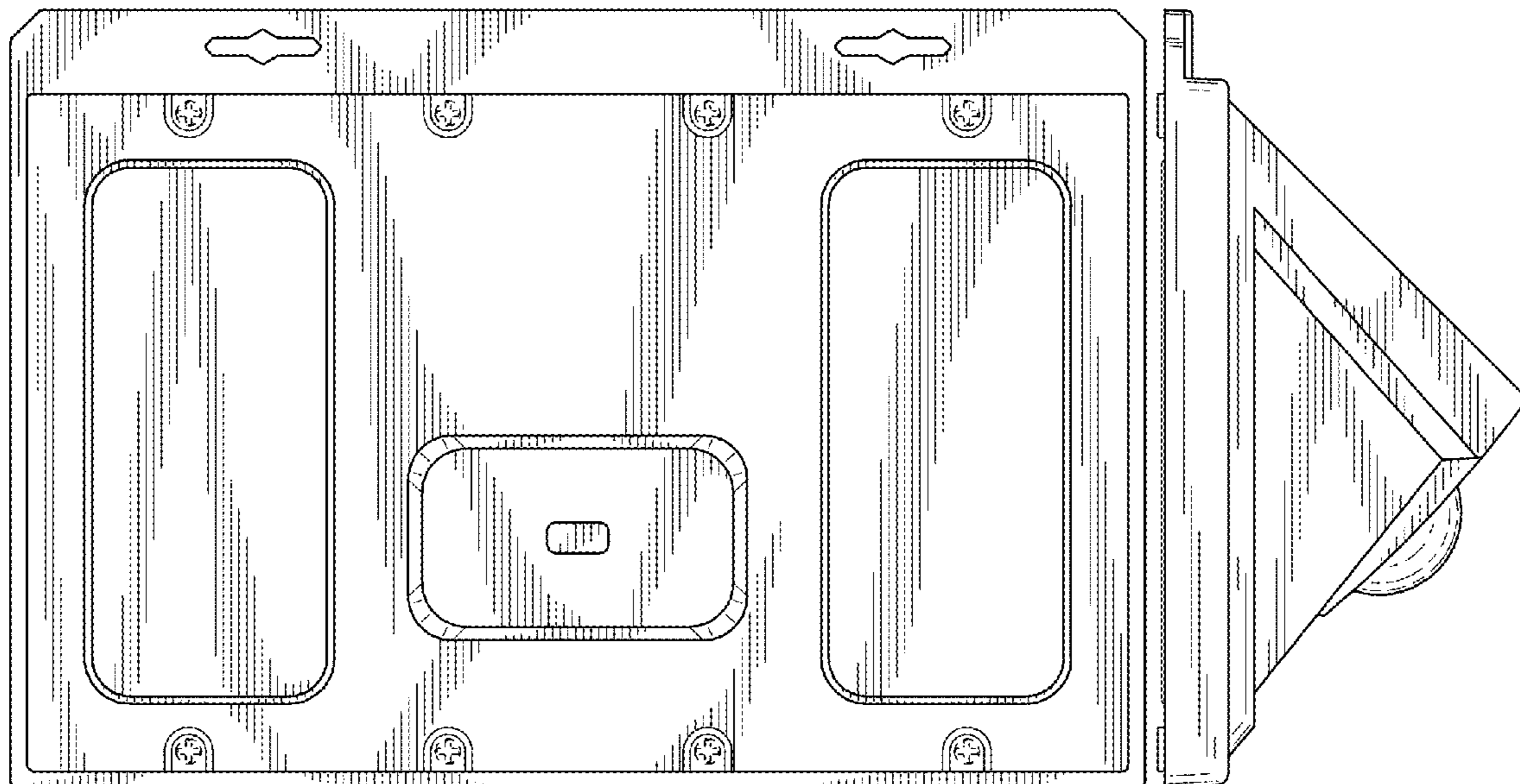
(57) **CLAIM**

The ornamental design for a lighting fixture, as shown and described.

DESCRIPTION

FIG. 1 is a top perspective view of a lighting fixture in accordance with the present design;
FIG. 2 is a front view thereof;
FIG. 3 is a back view thereof;
FIG. 4 is a left side view thereof;
FIG. 5 is a right side view thereof;
FIG. 6 is a top view thereof; and,
FIG. 7 is a bottom view thereof.
The broken lines represent unclaimed portions of the claimed design and are included for illustrative purposes only and form no part of the claimed design. The shading represents contour of the claimed design.

1 Claim, 4 Drawing Sheets



(56)

References Cited

OTHER PUBLICATIONS

Litom Enhanced 102 LED Super Bright Solar Lights Outdoor, Solar Motion Sensor Lights with 270° Wide Angle, IP65 Waterproof, Easy-to-Install Security Lights for Front Door, Yard, Garage, Deck. Sold by StarTOP as amazon.com as early as Dec. 4, 2017. (Year: 2017).*

Avikoit 24 LED Solar Wireless & Waterproof Outdoor Lights, 270° Lightning Angle with Motion Sensor & 3 Optional Modes, for Front Door Balcony Garden Courtyard Garage Runway Stairs (1 Pack). Sold by MRL2008 at amazon.com as early as Nov. 6, 2018. (Year: 2018).*

UMR 90 LED Solar Security Light—New 2018 Motion Sensor Outdoor Lighting w 5 LEDs Per Side, Dusk to Dawn Detector, Wireless Battery Power is Ultra-Bright for Exterior Outside Driveway Yard Patio Deck. Sold by UMR Tech at amazon.com Oct. 5, 2017. (Year: 2017).*

Litom Outdoor Light available at https://www.amazon.com/Litom-Illumination-Wireless-Waterproof-Security/dp/B01JS285JS?_encoding=UTF8&psc=1, accessed May 24, 2018.

* cited by examiner

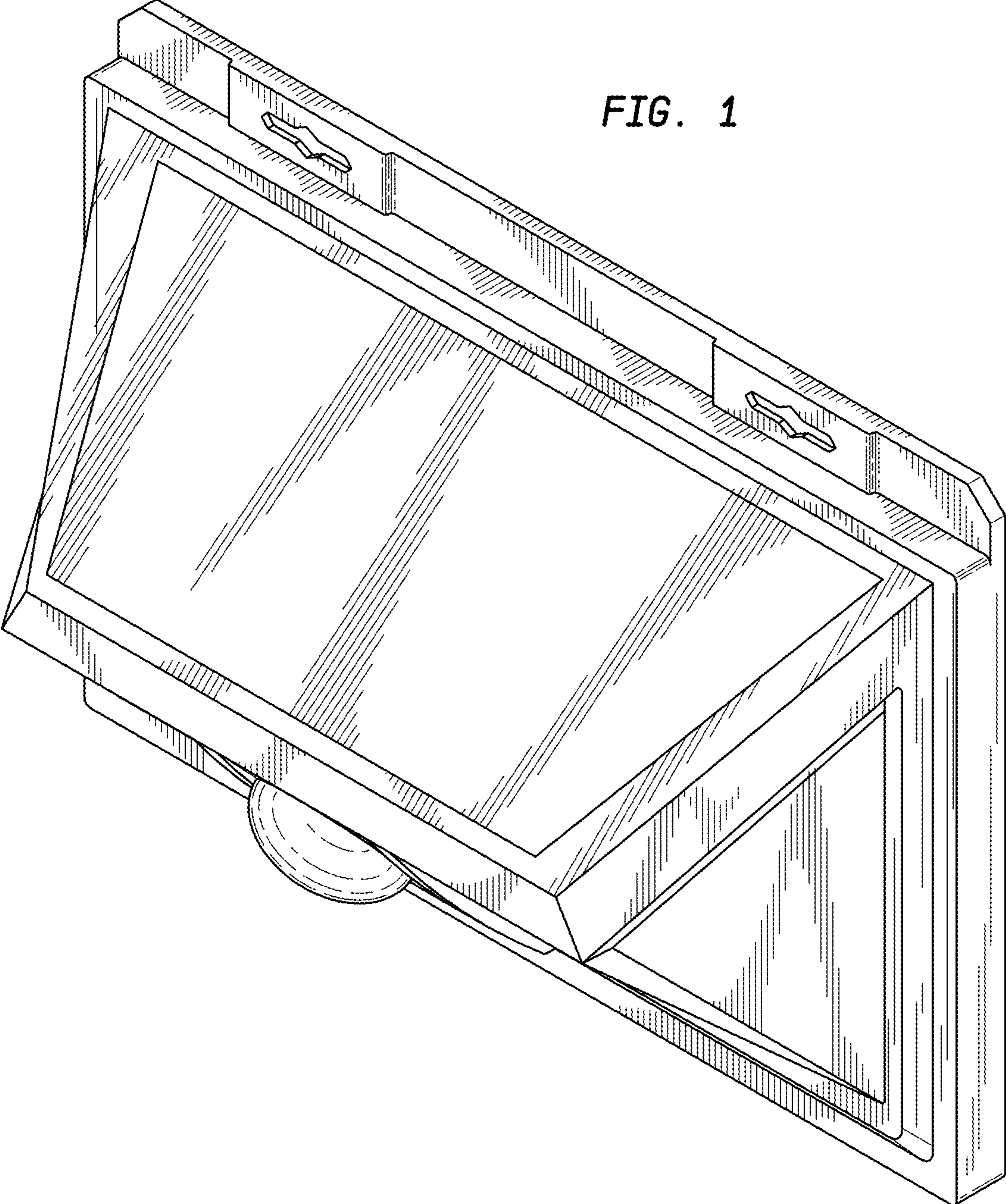


FIG. 1

FIG. 2

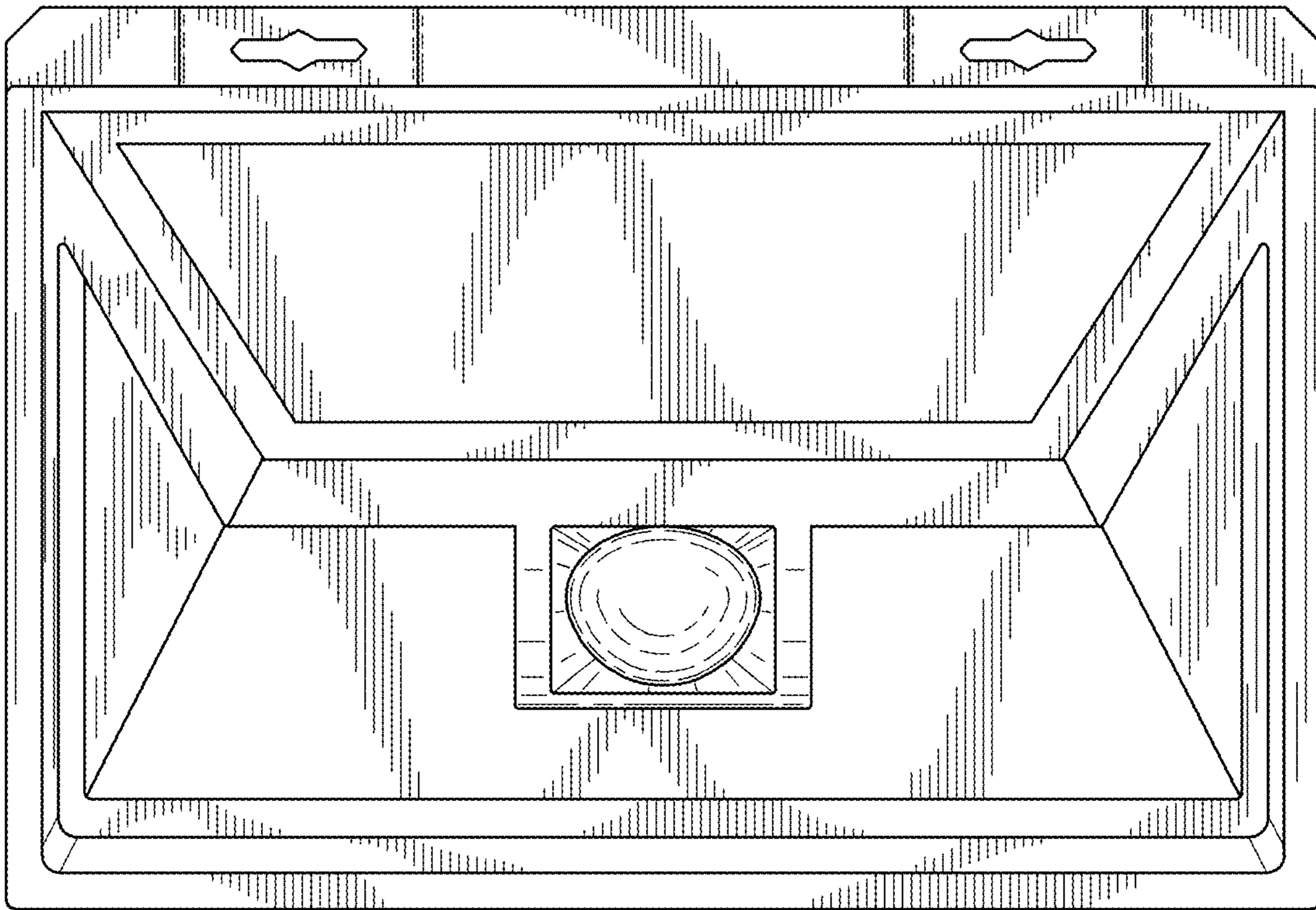


FIG. 3

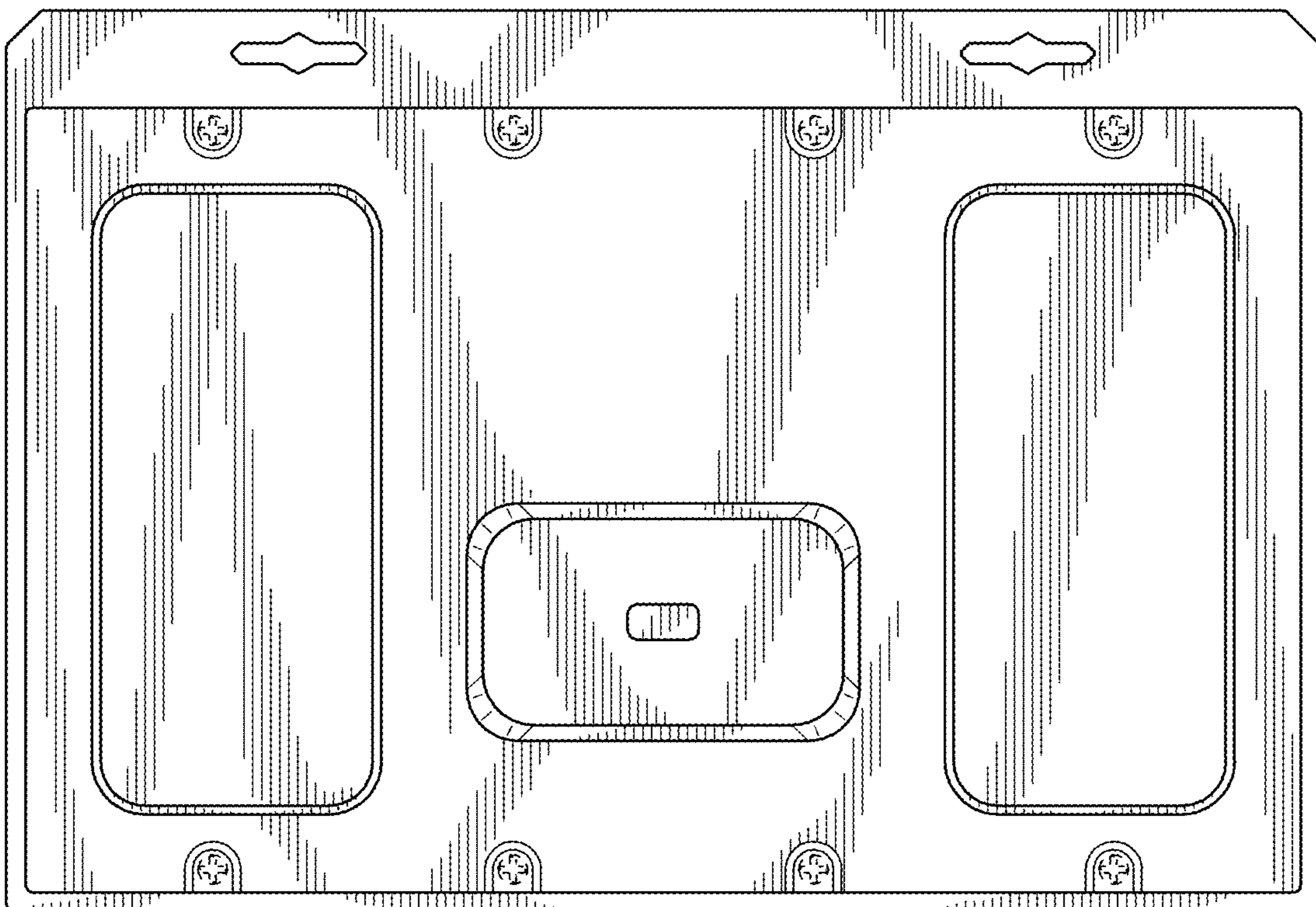


FIG. 4

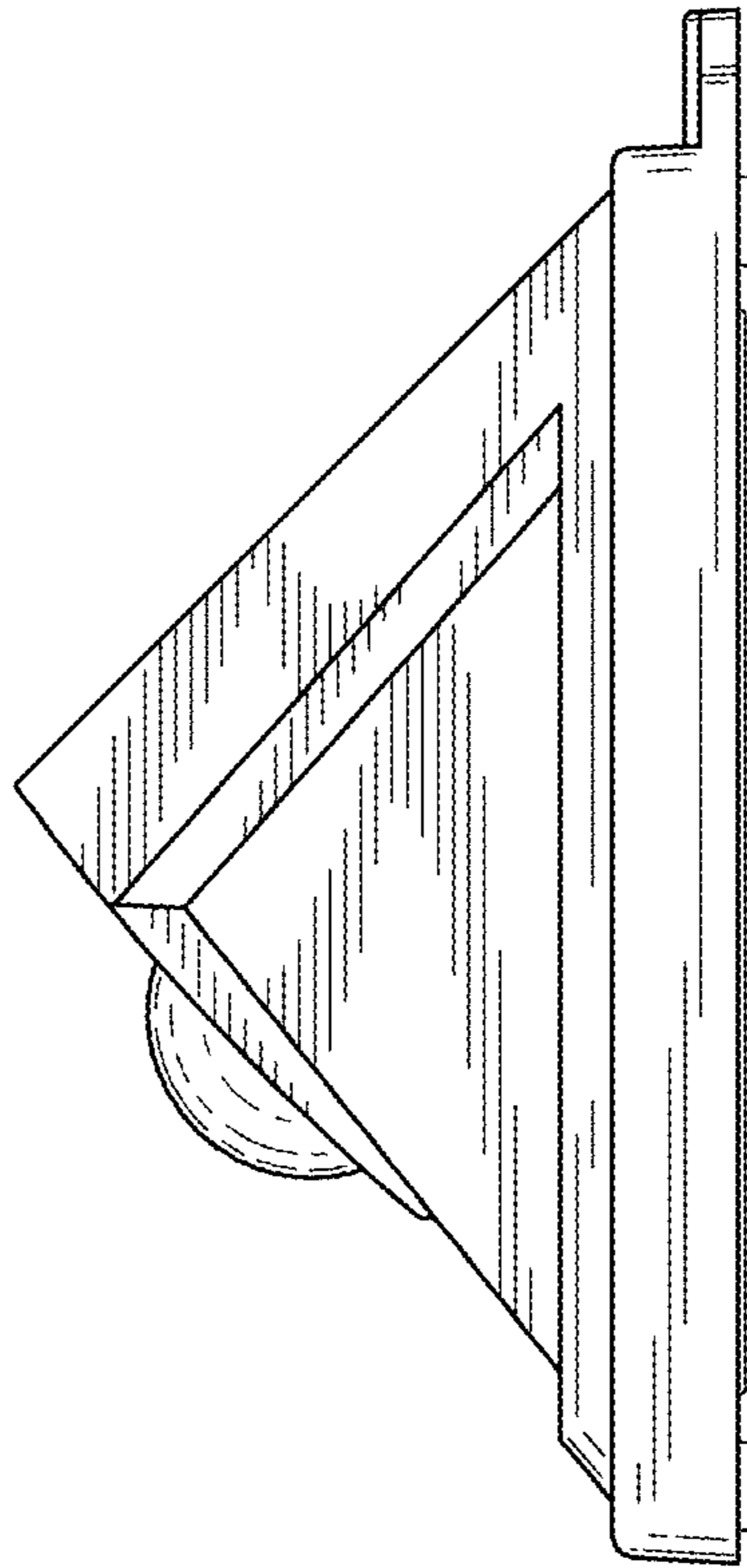


FIG. 5

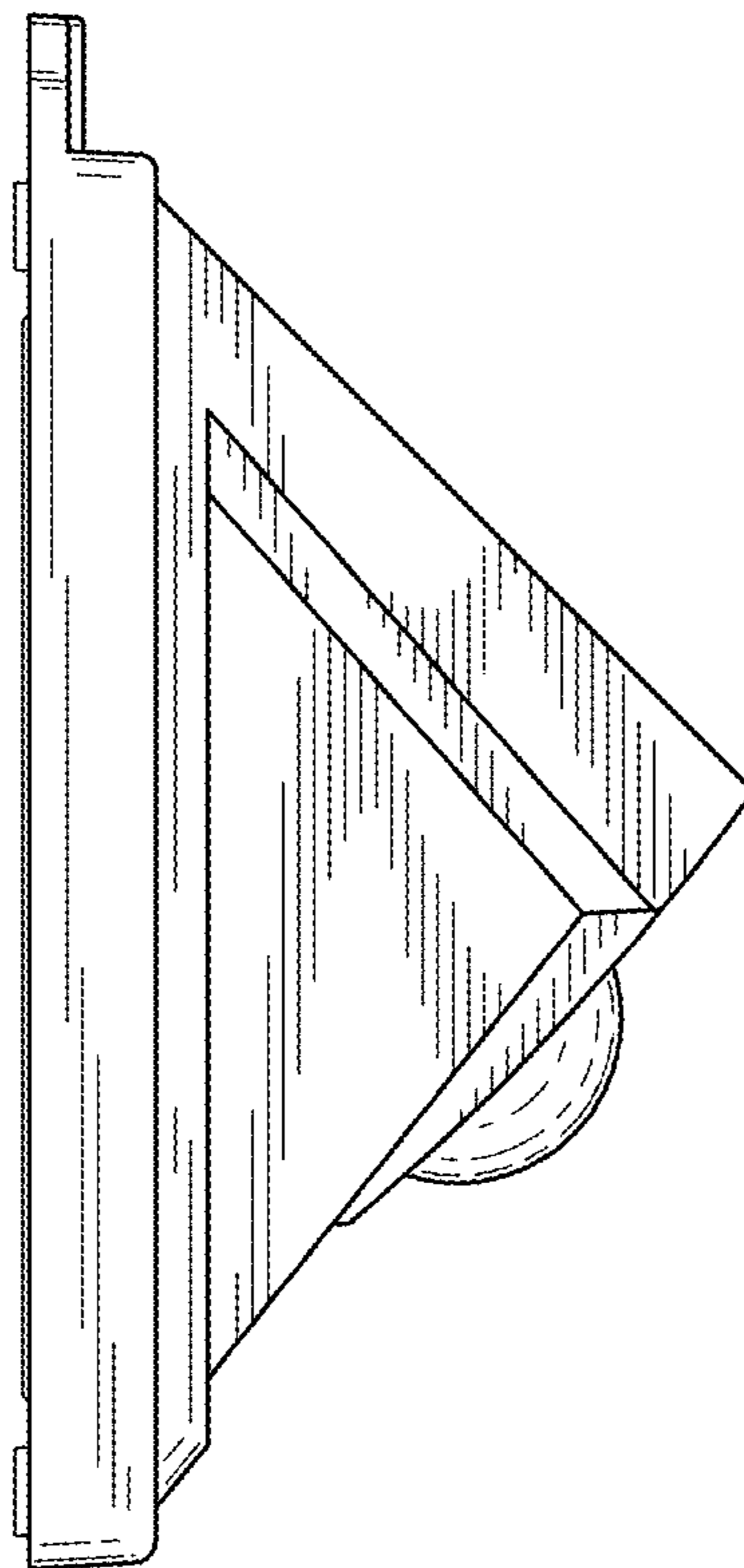


FIG. 6

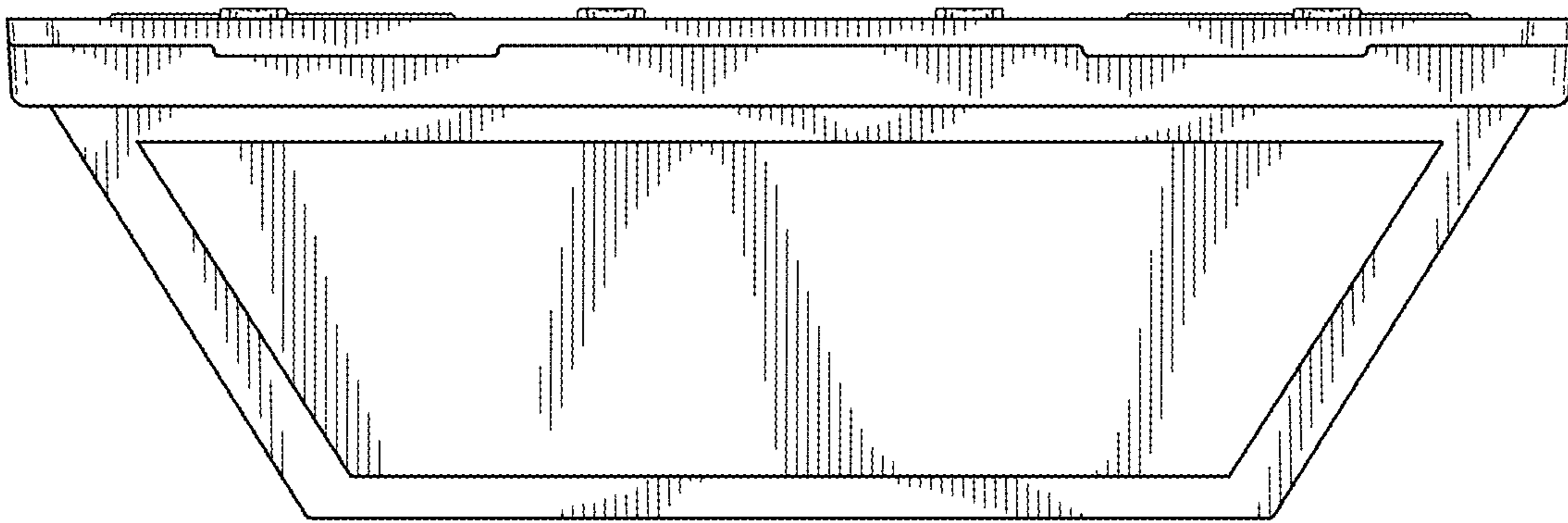


FIG. 7

