



US00D875991S

(12) **United States Design Patent**  
**Wan**

(10) **Patent No.:** **US D875,991 S**

(45) **Date of Patent:** **\*\* Feb. 18, 2020**

(54) **SOLAR LIGHT**

(71) Applicant: **Xinhong Wan**, Guangdong (CN)

(72) Inventor: **Xinhong Wan**, Guangdong (CN)

(73) Assignee: **Dongguan Hongruihui Industrial Co., Ltd**, Dongguan, Guangdong (CN)

(\*\*) Term: **15 Years**

(21) Appl. No.: **29/641,799**

(22) Filed: **Mar. 26, 2018**

(51) **LOC (12) Cl.** ..... **26-05**

(52) **U.S. Cl.**  
USPC ..... **D26/85**

(58) **Field of Classification Search**  
USPC ..... D10/104.1, 106.1, 106.6, 106.8;  
D25/133, 135, 136; D26/10, 37, 38, 40,  
D26/51, 60, 67, 68, 72, 76, 78, 82, 85,  
D26/86, 104, 106, 145  
CPC ..... F21S 8/00; F21S 8/02; F21S 8/04; F21S  
8/003; F21S 8/006; F21S 6/00; F21S  
9/022; F21S 9/037  
See application file for complete search history.

D849,988 S \* 5/2019 Li ..... D26/85  
D853,013 S \* 7/2019 Zhuo ..... D26/85  
D861,224 S \* 9/2019 Hu ..... D26/85

**FOREIGN PATENT DOCUMENTS**

CN 304585081 \* 4/2018

**OTHER PUBLICATIONS**

24 LED Outdoor/Pation Solar Wall Light (available online Dec. 9, 2017 Retrieved from the internet Jun. 10, 2019 from URL: <https://truelumens.com/products/24-led-outdoor-patio-solar-light-120-wide-angel-motion-sensor-super-bright>.\*  
Abask Solar Lights, 68 LED Solar Lamp (available online Oct. 12, 2017) Retrieved from the internet Jun. 10, 2019 from URL: <https://www.amazon.co.uk/Abask-Outdoor-Waterproof-120-Degree-Lighting/dp/B075WNMFTB>.\*  
Backyard Motion Sensor Solar Light (available online) Retrieved from the internet Jun. 7, 2019 from URL: <https://www.bingsolar.com/three-dimensional-light/>.\*

(Continued)

*Primary Examiner* — Kevin K Rudzinski

*Assistant Examiner* — Richard Kearney

(57) **CLAIM**

The ornamental design for a solar light, as shown and described.

**DESCRIPTION**

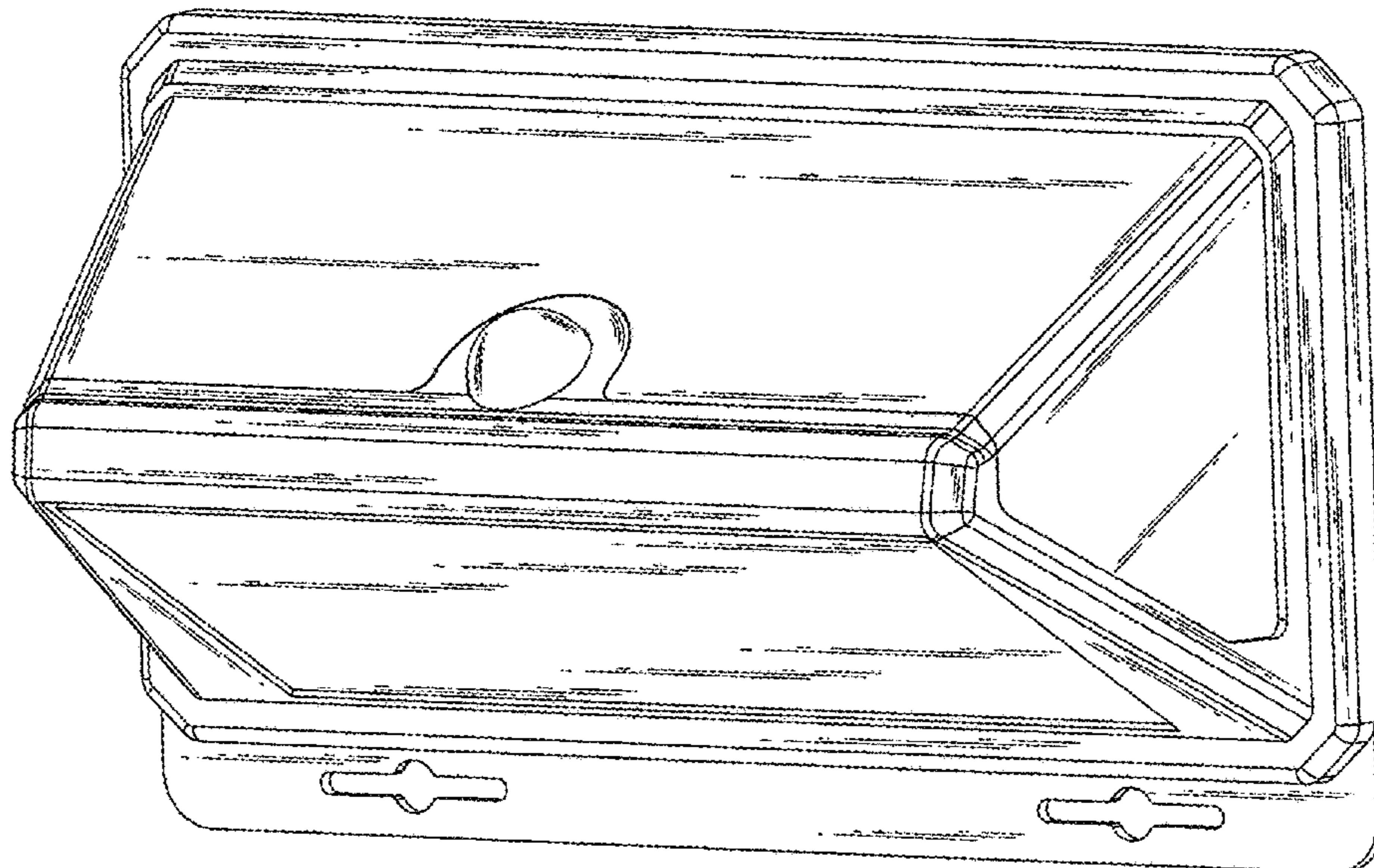
FIG. 1 is a perspective view of a solar light showing my new design;  
FIG. 2 is a front elevational view thereof;  
FIG. 3 is a rear elevational view thereof;  
FIG. 4 is a left side elevational view thereof;  
FIG. 5 is a right side elevational view thereof;  
FIG. 6 is a top plan view thereof; and,  
FIG. 7 is a bottom plan view thereof.  
The broken lines show portions of the solar light and form no part of the claimed design.

**1 Claim, 7 Drawing Sheets**

(56) **References Cited**

**U.S. PATENT DOCUMENTS**

D626,270 S \* 10/2010 Waldmann ..... D26/85  
D805,236 S \* 12/2017 Exley ..... D26/85  
D808,569 S \* 1/2018 Ban ..... D26/85  
D816,259 S \* 4/2018 Liu ..... D26/85  
D836,816 S \* 12/2018 Liu ..... D26/85  
D841,218 S \* 2/2019 Liu ..... D26/85  
D841,864 S \* 2/2019 Liu ..... D26/85  
D841,865 S \* 2/2019 Deng ..... D26/85  
D843,631 S \* 3/2019 Wen ..... D26/85  
D846,177 S \* 4/2019 Wen ..... D26/85  
D848,049 S \* 5/2019 Hu ..... D26/85  
D848,658 S \* 5/2019 Tan ..... D26/85



(56)

**References Cited**

OTHER PUBLICATIONS

460lm LED Wall Light (available online Feb. 3, 2018) Retrieved from the internet Jun. 7, 2019 from URL: <https://www.lightingever.com/led-wall-light-solar-powered-6400006-dw.html>.\*

34 leds outdoor solar wall light (available online) Retrieved from the internet Jun. 7, 2019 from URL: <https://hkcecon.manufacturer.globalsources.com/si/6008853526260/pdtl/Solar-light/1163214928/solar-light.htm>.\*

\* cited by examiner

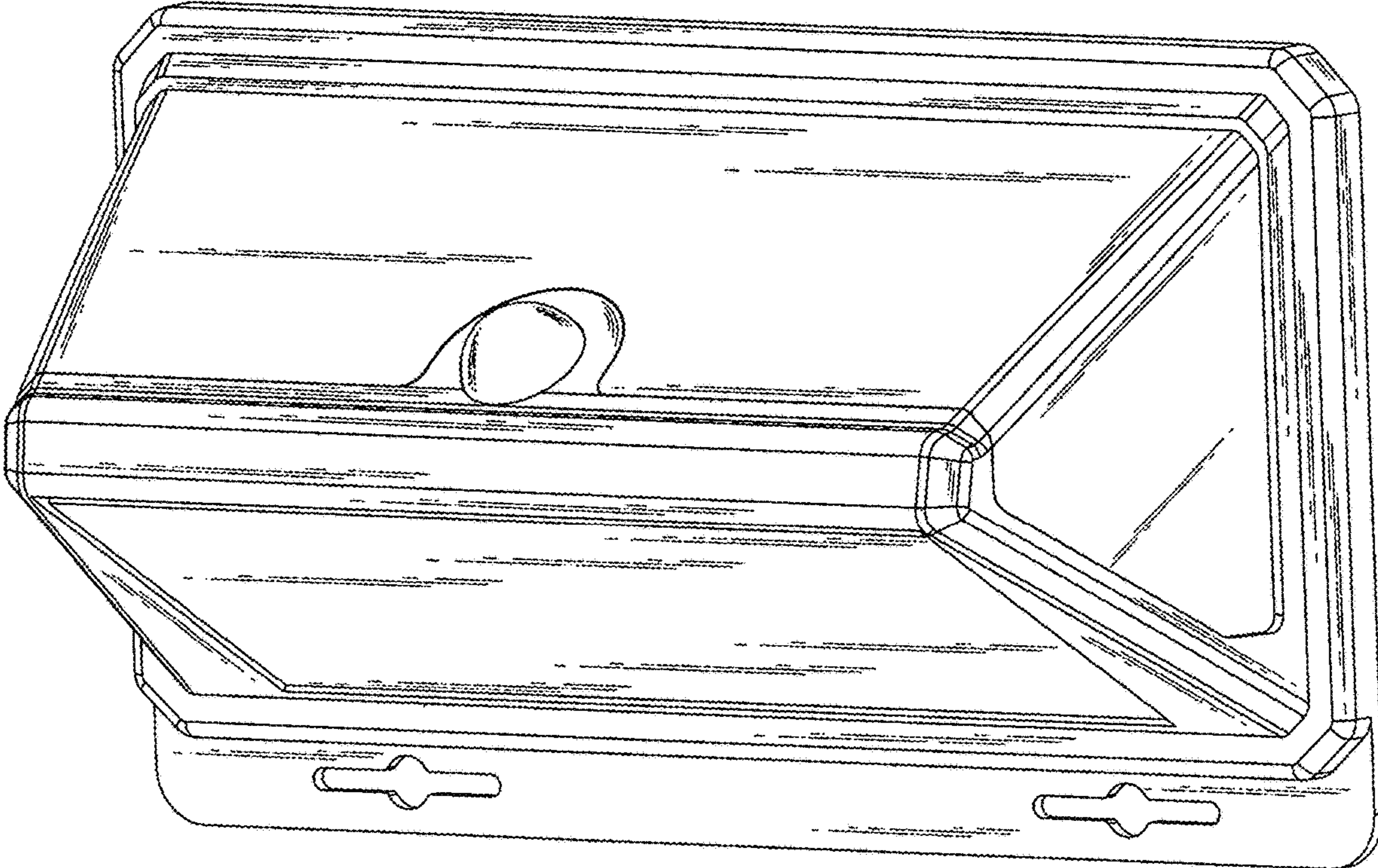


FIG.1

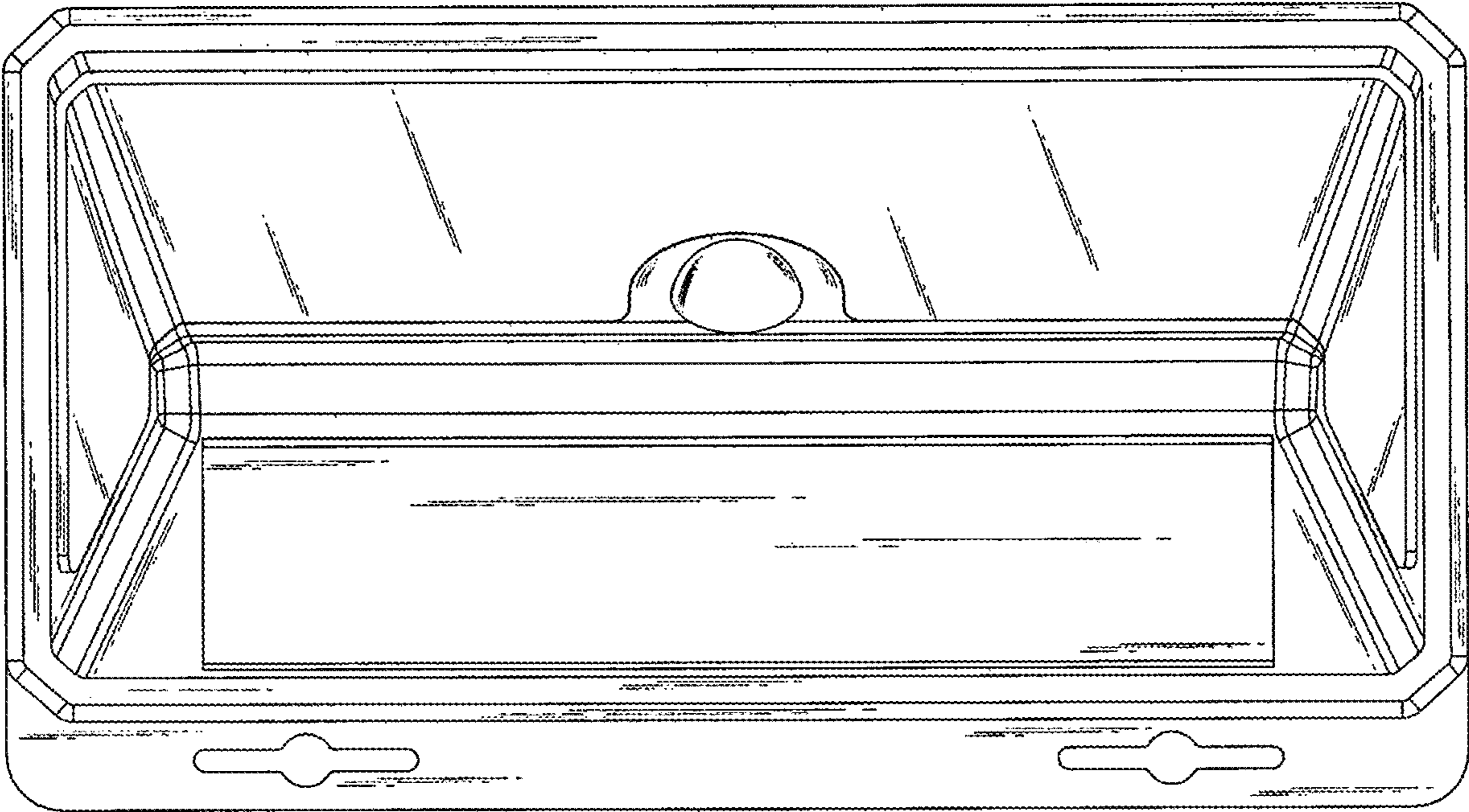


FIG.2

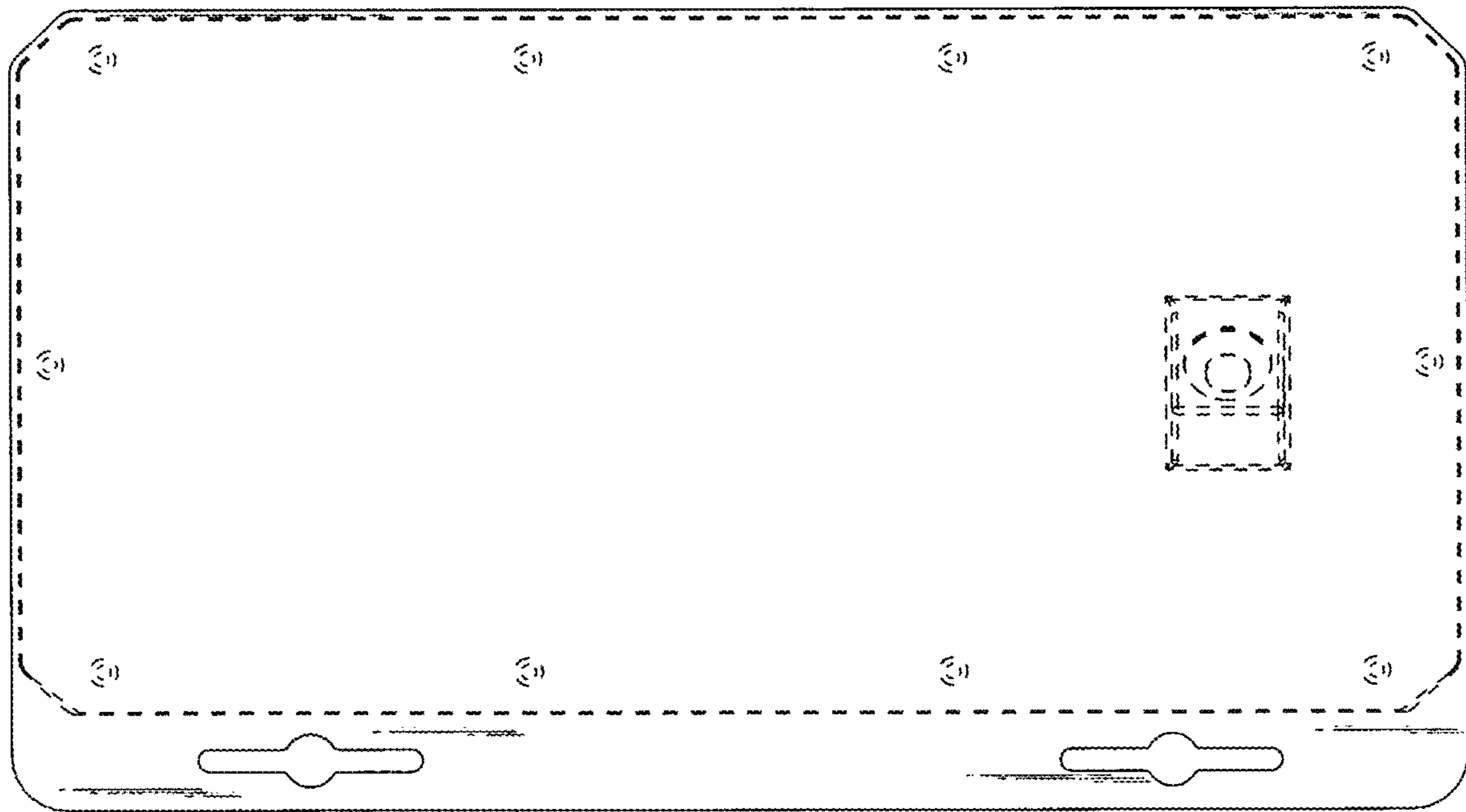


FIG.3

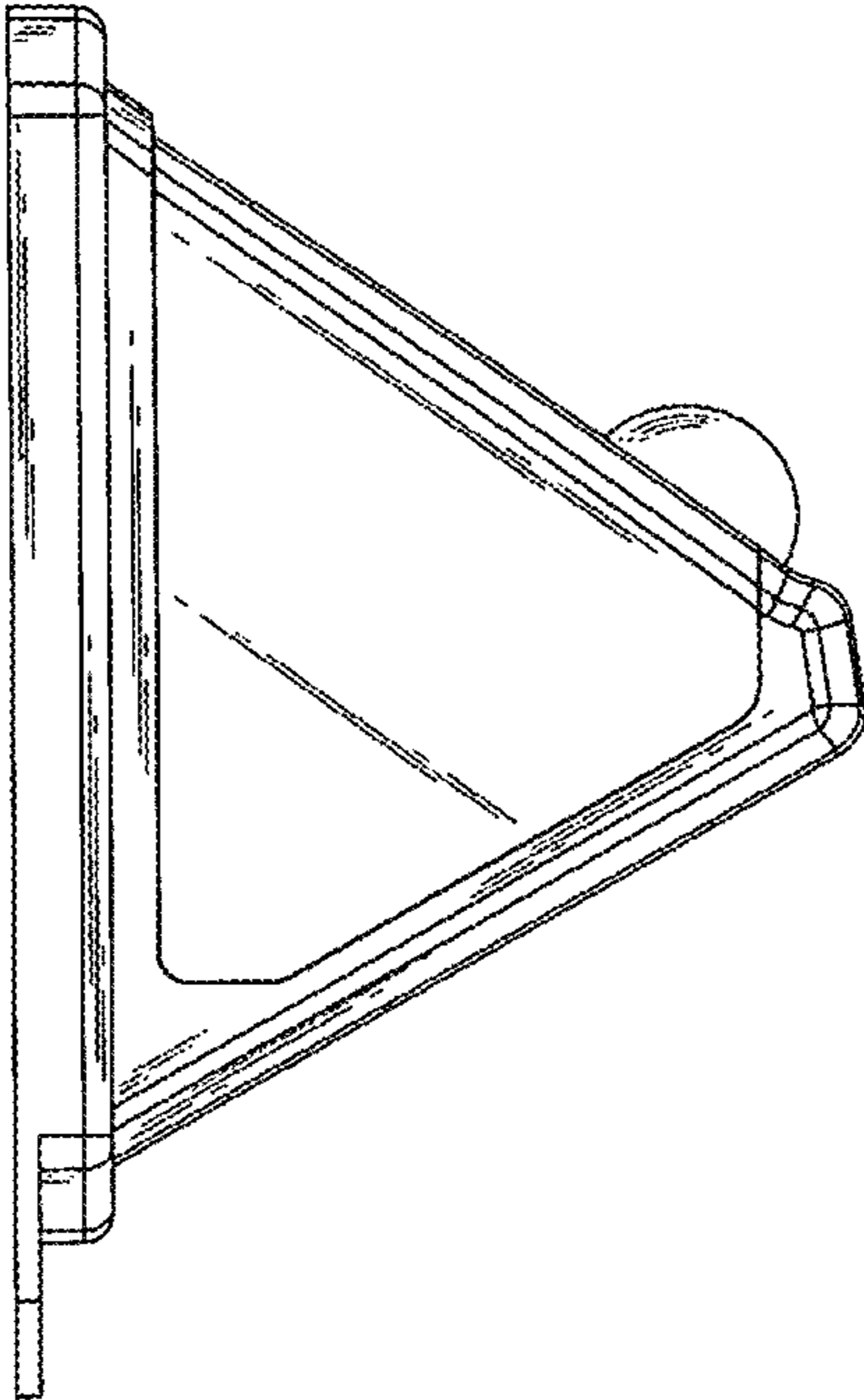


FIG.4

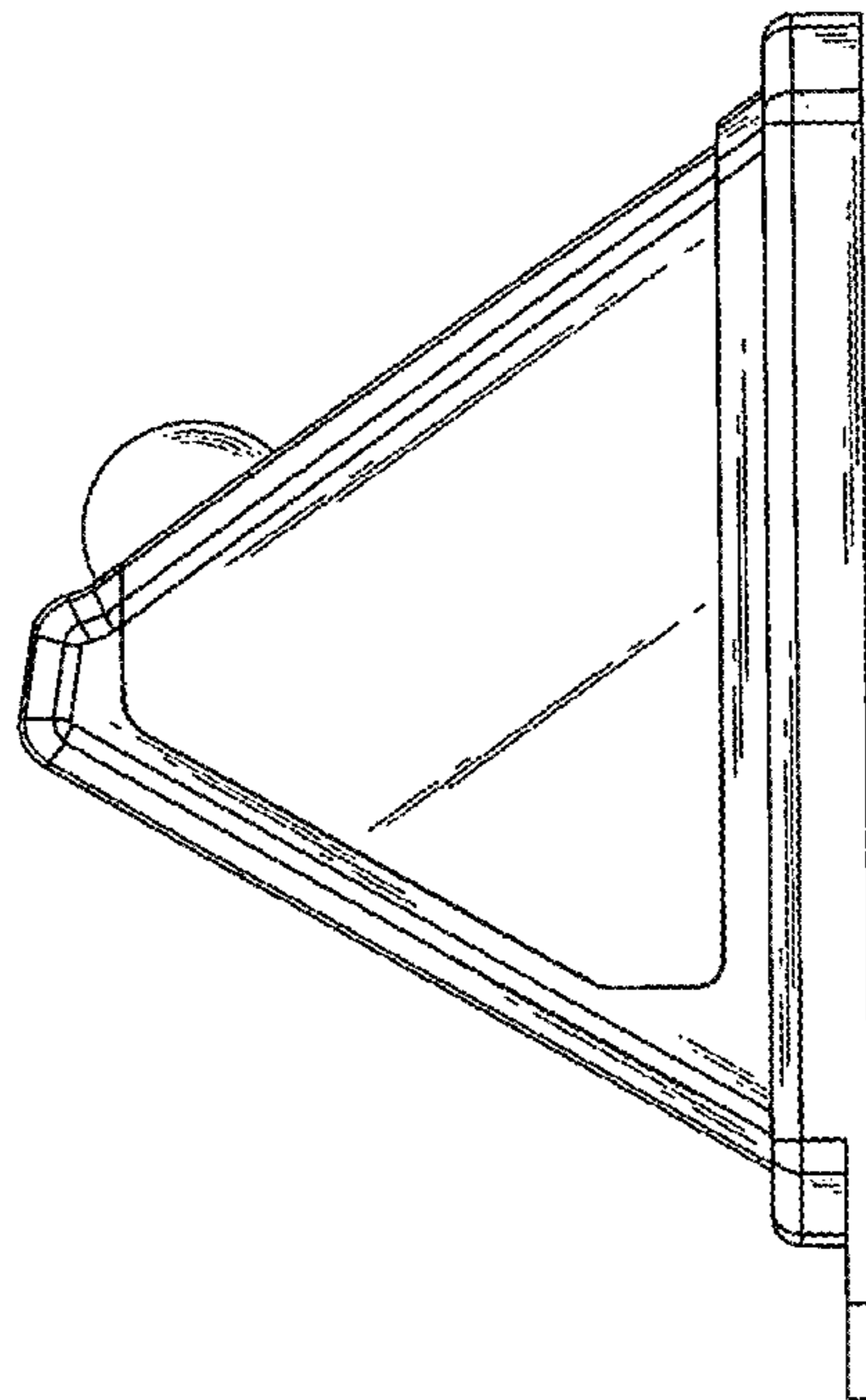


FIG.5

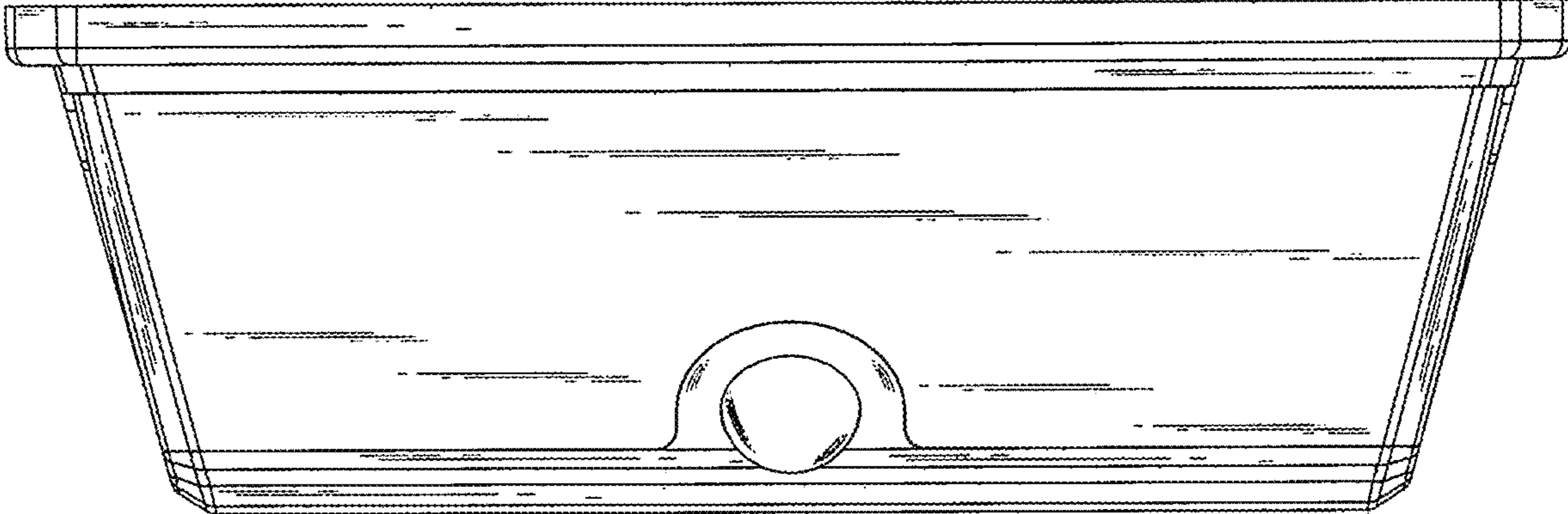


FIG.6



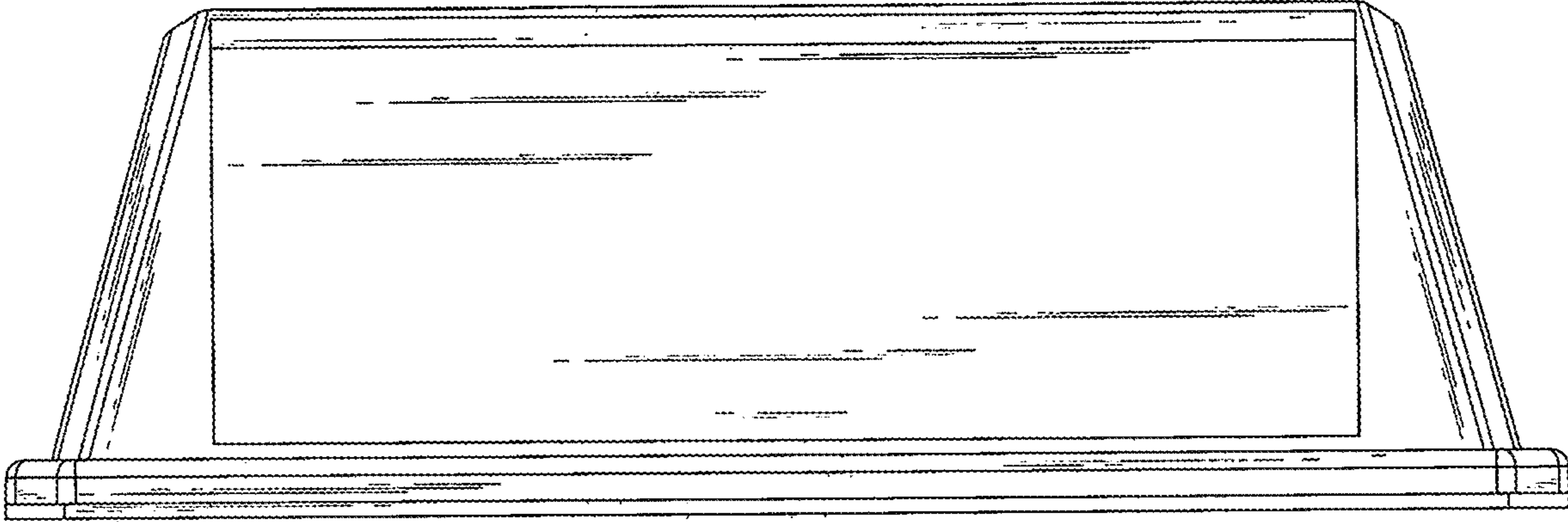


FIG. 7