



US00D875988S

(12) **United States Design Patent**  
**Bou Harb et al.**

(10) **Patent No.:** **US D875,988 S**  
(45) **Date of Patent:** **\*\* Feb. 18, 2020**

(54) **LUMINAIRE STRUCTURE**

(71) Applicant: **AXIS LIGHTING INC.**, Lasalle (CA)

(72) Inventors: **Joseph Bou Harb**, Lasalle (CA);  
**Suzanne Massoud**, Lasalle (CA);  
**Howard Yaphe**, Lasalle (CA); **Andrew Miles**, Lasalle (CA); **Jean Gagné**,  
Lasalle (CA)

(73) Assignee: **Axis Lighting Inc.**, LaSalle (CA)

(\*\*) Term: **15 Years**

(21) Appl. No.: **29/610,783**

(22) Filed: **Jul. 14, 2017**

(51) **LOC (12) Cl.** ..... **26-04**

(52) **U.S. Cl.**  
USPC ..... **D26/76**

(58) **Field of Classification Search**  
USPC ... D26/3, 24, 35, 39, 42, 71, 72, 75, 76, 78,  
D26/79, 80, 81, 82, 83, 86, 88  
(Continued)

(56) **References Cited**

**U.S. PATENT DOCUMENTS**

D206,286 S \* 11/1966 Ostyn ..... D26/71  
D569,027 S \* 5/2008 Hakamada ..... D26/76  
(Continued)

**OTHER PUBLICATIONS**

GE, LED Luminaires, [www.gelighting.com/indoorsolutions](http://www.gelighting.com/indoorsolutions) (Apr. 2015).

(Continued)

*Primary Examiner* — Mark A Goodwin  
*Assistant Examiner* — Benjamin M Weeks

(74) *Attorney, Agent, or Firm* — Barnes & Thornburg  
LLP

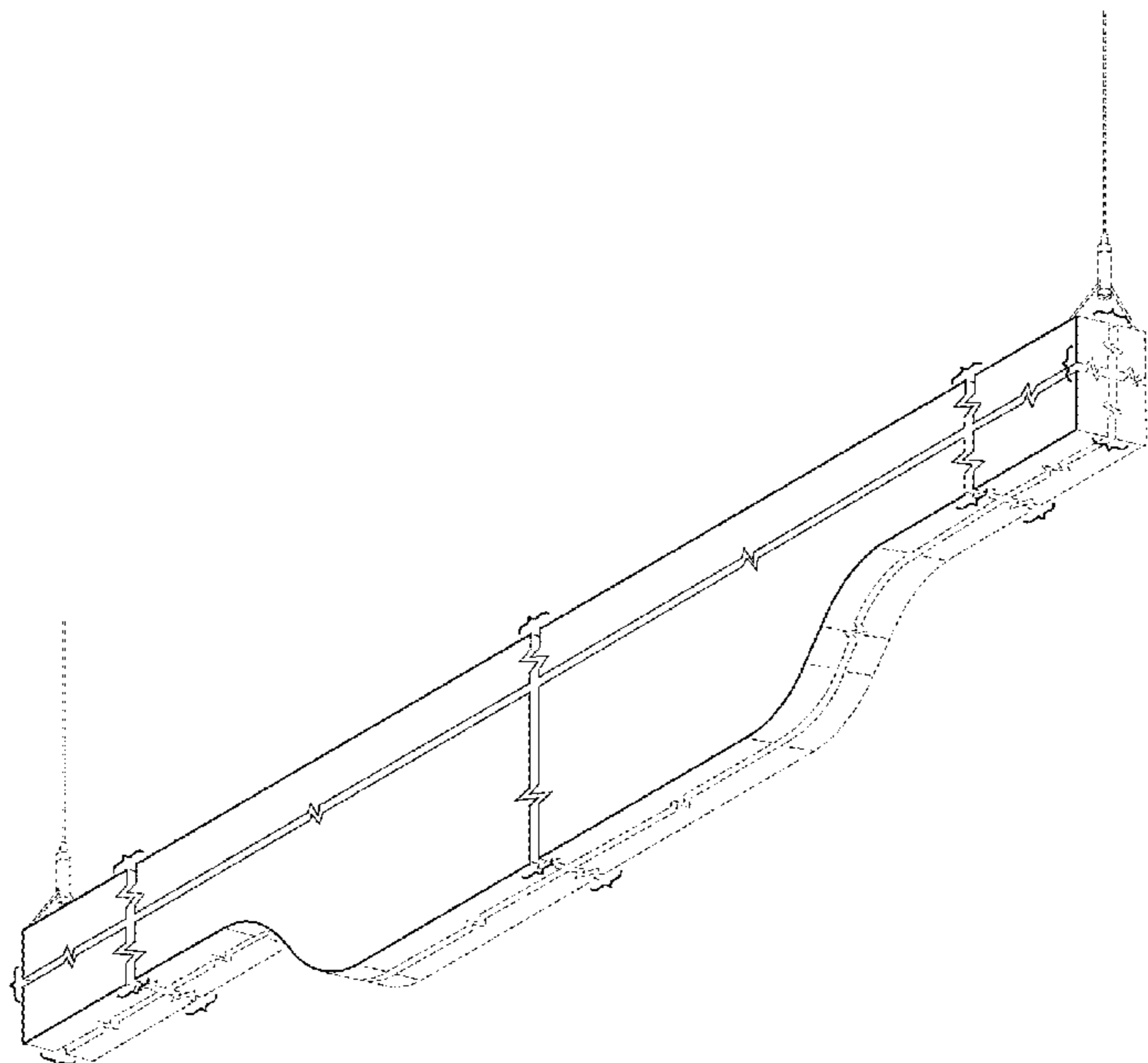
(57) **CLAIM**

What is claimed is the ornamental design for a luminaire structure, as shown and described.

**DESCRIPTION**

FIG. 1 is a perspective view as viewed from below of the luminaire structure showing our design;  
FIG. 2 is a perspective view as viewed from above thereof;  
FIG. 3 is a left hand side elevational view thereof, the right hand side elevation being a mirror image thereof and therefore omitted;  
FIG. 4. is a rear elevational view thereof, the front elevation being a mirror image thereof and therefore omitted;  
FIG. 5 is a top plan view thereof;  
FIG. 6 is a bottom plan view thereof;  
FIG. 7 is a perspective view as viewed from below of the luminaire structure showing our design;  
FIG. 8 is a perspective view as viewed from above thereof;  
FIG. 9 is a right hand side elevational view thereof, the left hand side elevation being a mirror image thereof and therefore omitted;  
FIG. 10 is a front elevational view thereof, the rear elevation being a mirror image thereof and therefore omitted;  
FIG. 11 is a top plan view thereof; and,  
FIG. 12 is a bottom plan view thereof.  
The broken lines in the drawings are directed to environment and are for illustrative purposes only.  
The luminaire structure is shown with symbolic break lines along its length. The appearance of any portion of the article between the break lines forms no part of the claimed design. A separation and a bracket are used to indicate that, for ease of illustration, the precise length of the article is not claimed. The luminaire structure is not limited to the scale shown here in.

**1 Claim, 6 Drawing Sheets**



(58) **Field of Classification Search**

CPC ..... F21S 2/00; F21S 4/00; F21S 4/003; F21S  
6/00

See application file for complete search history.

(56) **References Cited**

U.S. PATENT DOCUMENTS

D662,245 S *	6/2012	Steffy .....	D26/75
D695,443 S *	12/2013	Kaule .....	D26/76
D701,343 S *	3/2014	Ng .....	D26/76
D731,103 S *	6/2015	Wilke .....	D26/72
D776,855 S	1/2017	Rashid	
D806,927 S	1/2018	Rashid	
D808,059 S *	1/2018	Li .....	D26/76
D813,432 S *	3/2018	Koshiba .....	D26/39
2006/0146531 A1 *	7/2006	Reo .....	F21V 5/008 362/244

OTHER PUBLICATIONS

GE, Lumination LED Luminaires, Linear Suspended Fixture, [www.currentbyge.com](http://www.currentbyge.com) (Sep. 22, 2016).

Eaton, Corelite Divide-DWI (Jun. 14, 2017).

Eaton Corporation, Converge LED Architectural Luminaires, Neo-Ray (Jan. 2017).

Eaton, SkyBar High Bay LED Luminaire (Jul. 28, 2015).

Vode Lighting, ZipThree Wall Mount (2017).

\* cited by examiner

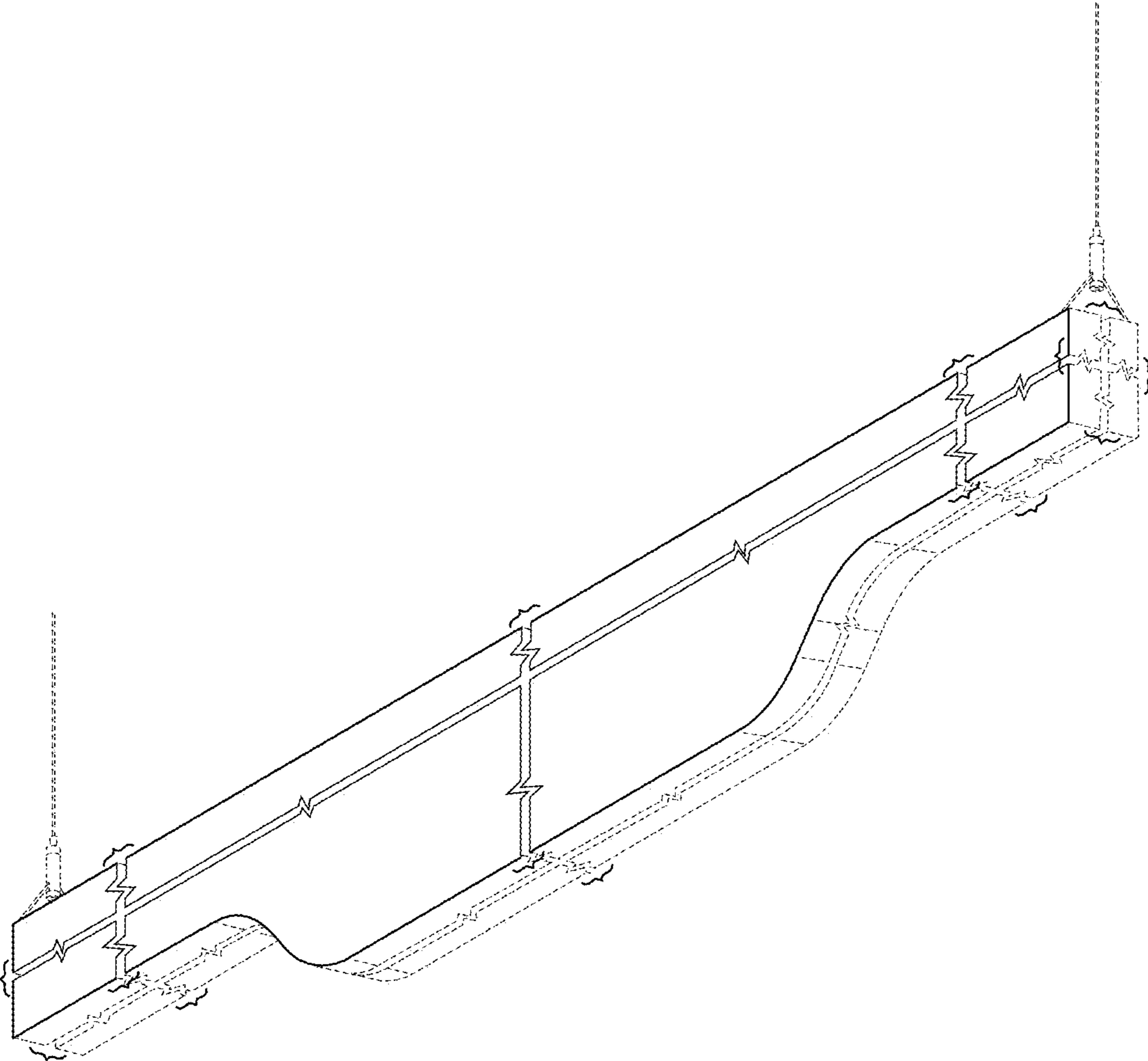


FIG. 1

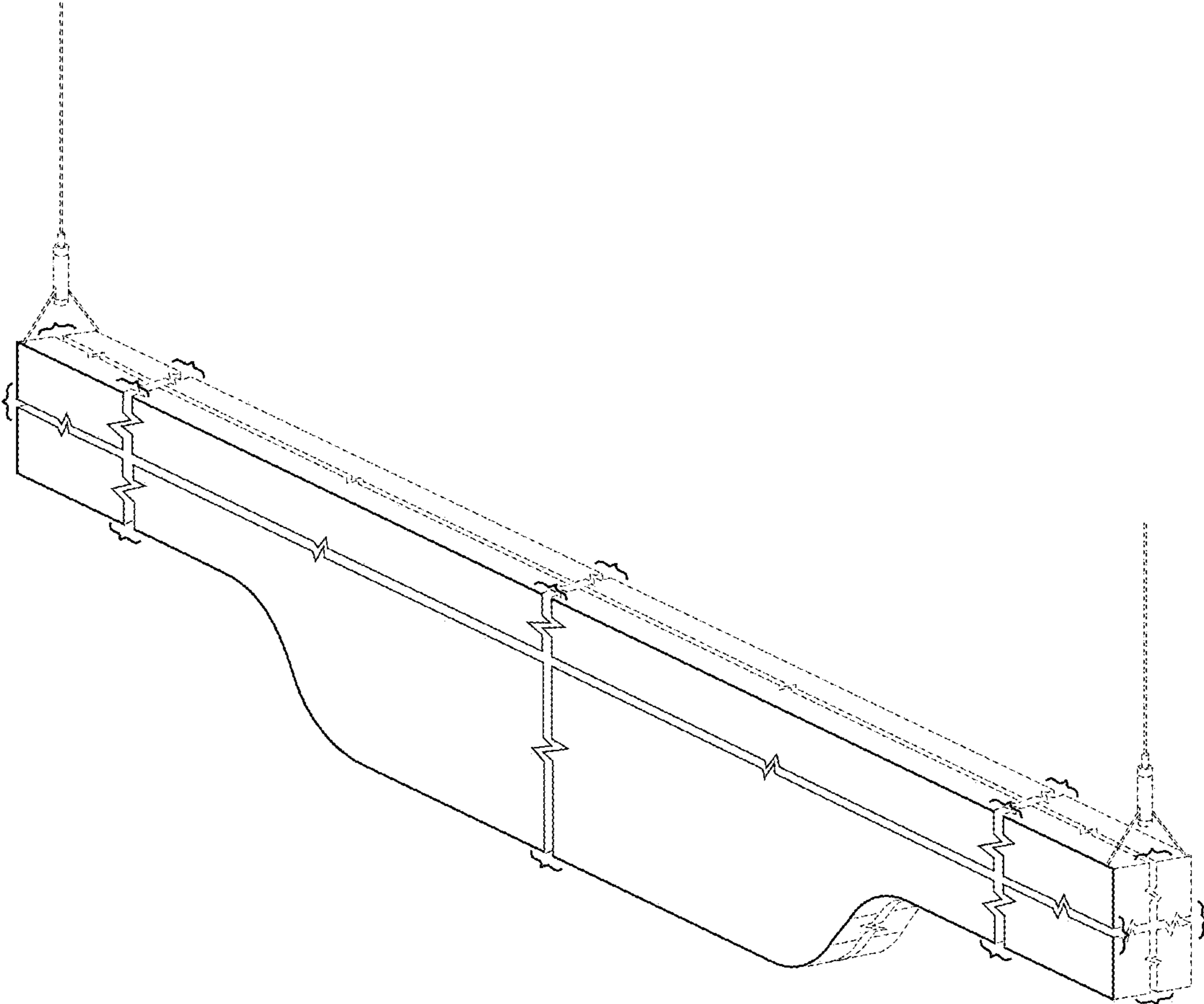


FIG. 2

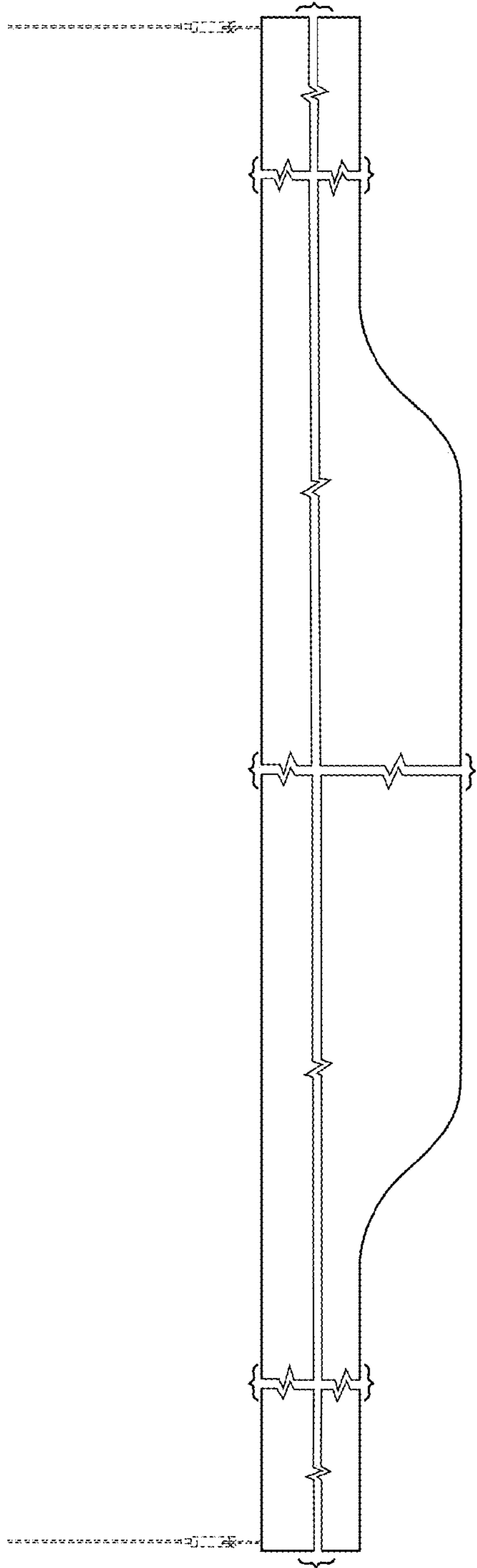


FIG. 3



FIG. 5



FIG. 6

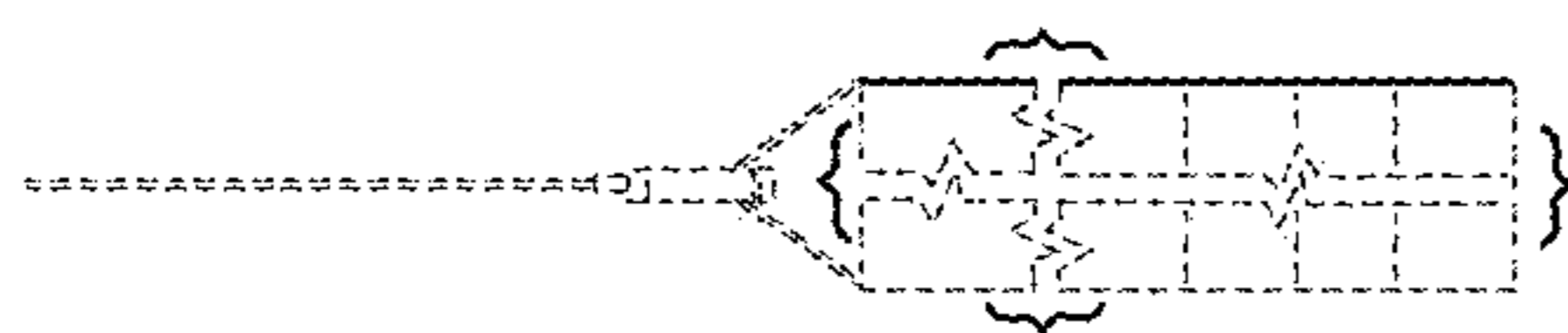


FIG. 4

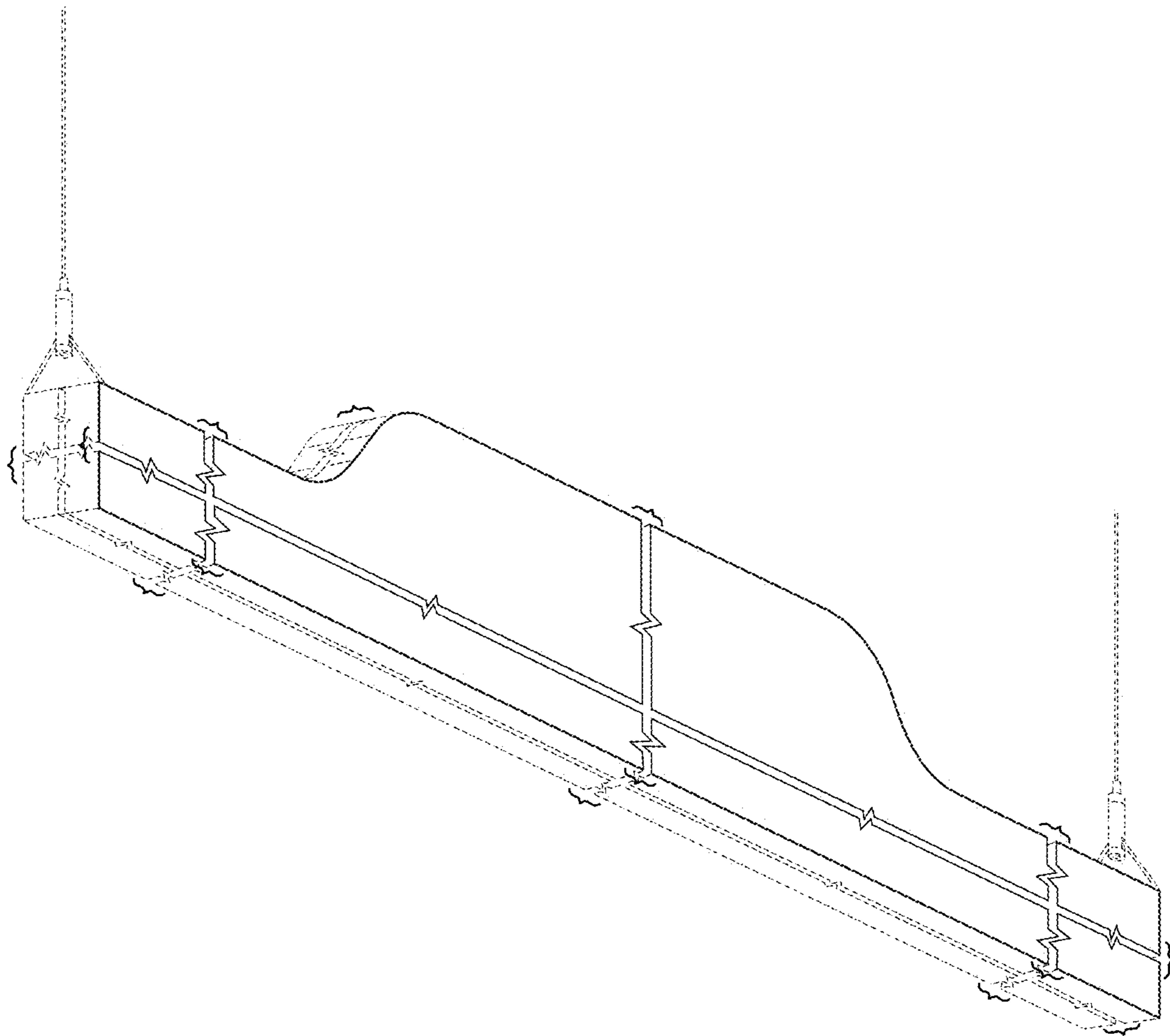


FIG. 7

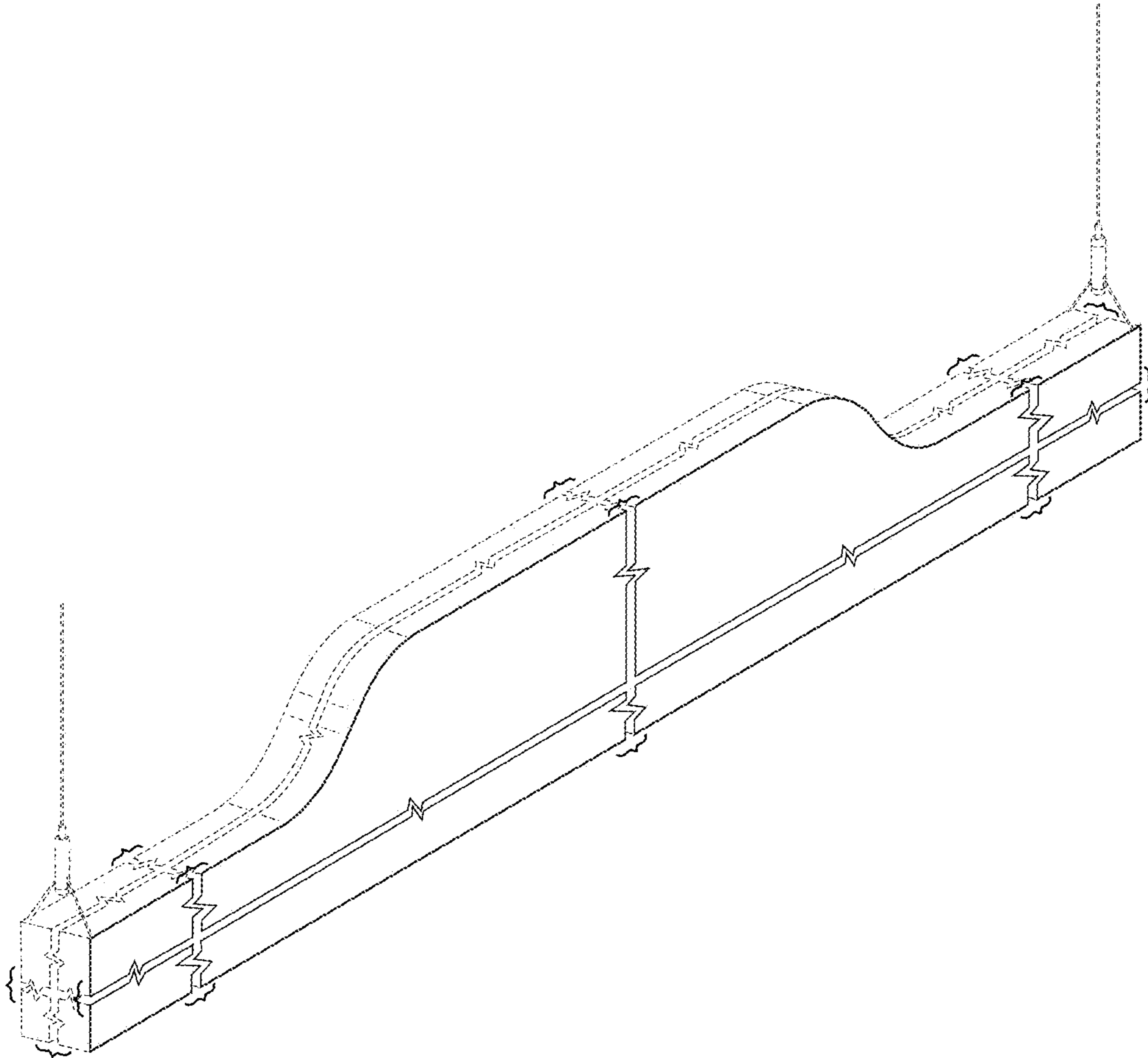


FIG. 8

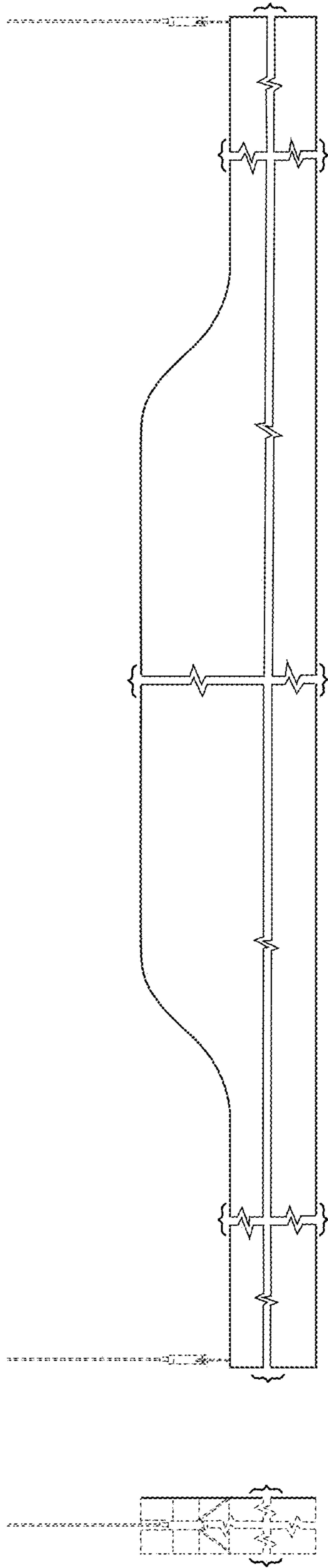


FIG. 9

FIG. 10



FIG. 11



FIG. 12