



US00D875986S

(12) **United States Design Patent**
Chen

(10) **Patent No.:** **US D875,986 S**

(45) **Date of Patent:** **** Feb. 18, 2020**

(54) **FLAGSTAFF LIGHT**

(71) Applicant: **Xiumei Chen**, Putian (CN)

(72) Inventor: **Xiumei Chen**, Putian (CN)

(**) Term: **15 Years**

(21) Appl. No.: **29/650,152**

(22) Filed: **Jun. 5, 2018**

(51) **LOC (12) Cl.** **26-05**

(52) **U.S. Cl.**
USPC **D26/67**

(58) **Field of Classification Search**
USPC D26/67-70, 104
CPC .. F21S 8/081; F21S 8/083; F21S 8/088; F21S
8/032; F21S 9/037; F21V 3/023; F21V
21/0824; F21W 2111/023; F21W
2131/109

See application file for complete search history.

(56) **References Cited**

U.S. PATENT DOCUMENTS

| | | | | |
|----------------|--------|----------|-------|----------------------|
| D488,879 S * | 4/2004 | Brown | | D26/67 |
| D558,908 S * | 1/2008 | Waedeled | | D26/67 |
| D563,017 S * | 2/2008 | Waedeled | | D26/70 |
| D574,538 S * | 8/2008 | Sanoner | | D26/67 |
| 8,167,468 B1 * | 5/2012 | Olsson | | F21S 8/03 362/477 |
| D680,673 S * | 4/2013 | Levine | | D26/60 |

| | | | | |
|----------------|---------|----------|-------|------------|
| D739,066 S * | 9/2015 | Macura | | D26/67 |
| D739,067 S * | 9/2015 | Macura | | D26/67 |
| D752,799 S * | 3/2016 | Righetto | | D26/67 |
| 9,316,387 B1 * | 4/2016 | Olsson | | F21V 29/70 |
| D800,364 S * | 10/2017 | Lee | | D26/67 |
| D834,515 S * | 11/2018 | Zhang | | D13/102 |
| D836,811 S * | 12/2018 | Shundong | | D26/67 |

OTHER PUBLICATIONS

56 LED Solar Flag Pole Light by Yakalla, at amazon.com as early as Jun. 16, 2019. (Year: 2019).*

48 LED Solar Flagpole Light by Yakalla at amazon.com Feb. 18, 2019. (Year: 2019).*

* cited by examiner

Primary Examiner — Clare E Heflin
(74) *Attorney, Agent, or Firm* — HYIP

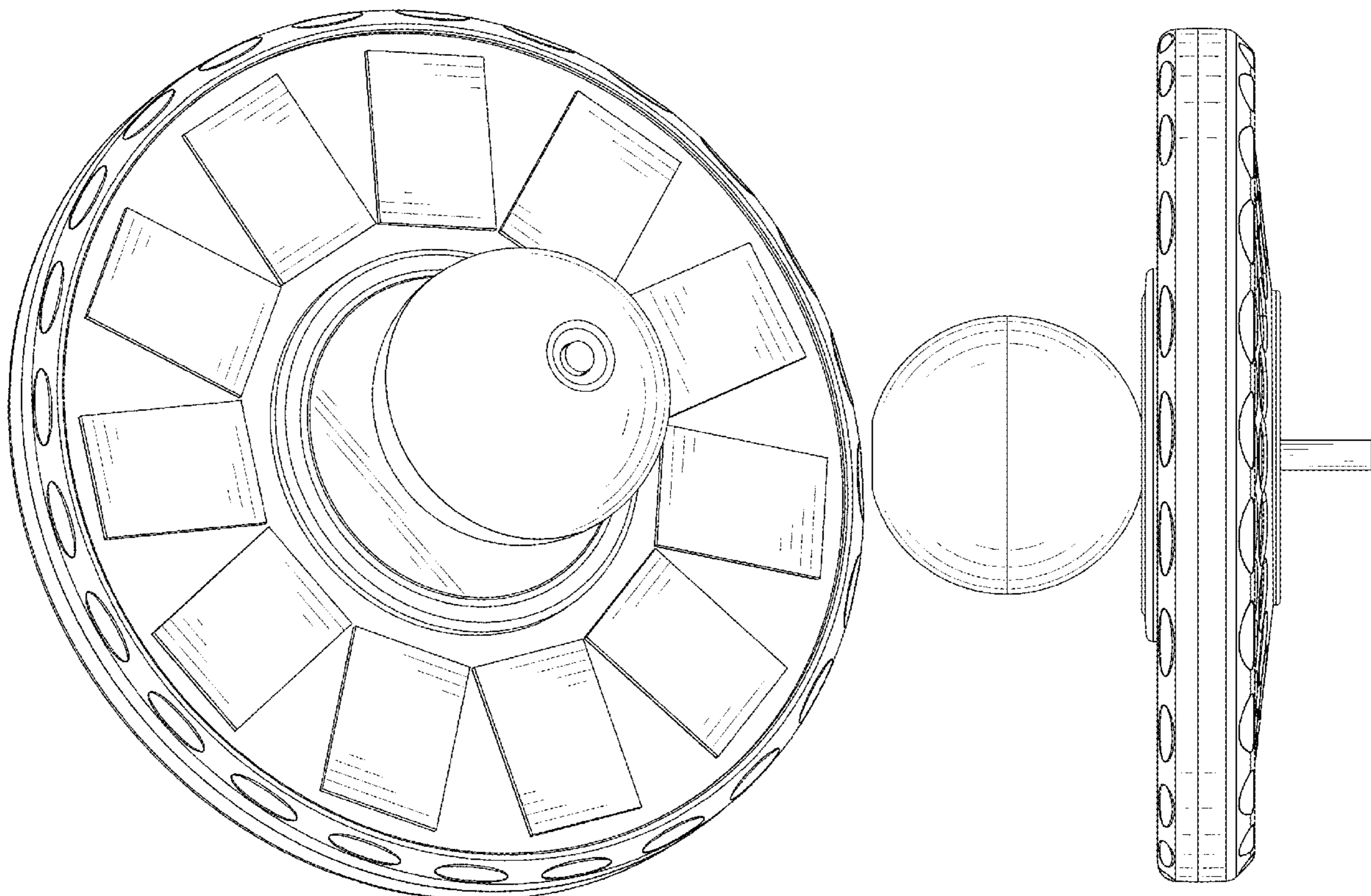
(57) **CLAIM**

The ornamental design for a flagstaff light, as shown and described.

DESCRIPTION

FIG. 1 is a top perspective view of a flagstaff light;
FIG. 2 is bottom perspective view thereof;
FIG. 3 is a bottom plan view thereof;
FIG. 4 is a top plan view thereof;
FIG. 5 is a left side elevation view thereof;
FIG. 6 is a right side elevation view thereof;
FIG. 7 is a front elevation view thereof; and,
FIG. 8 is a rear elevation view thereof.

1 Claim, 8 Drawing Sheets



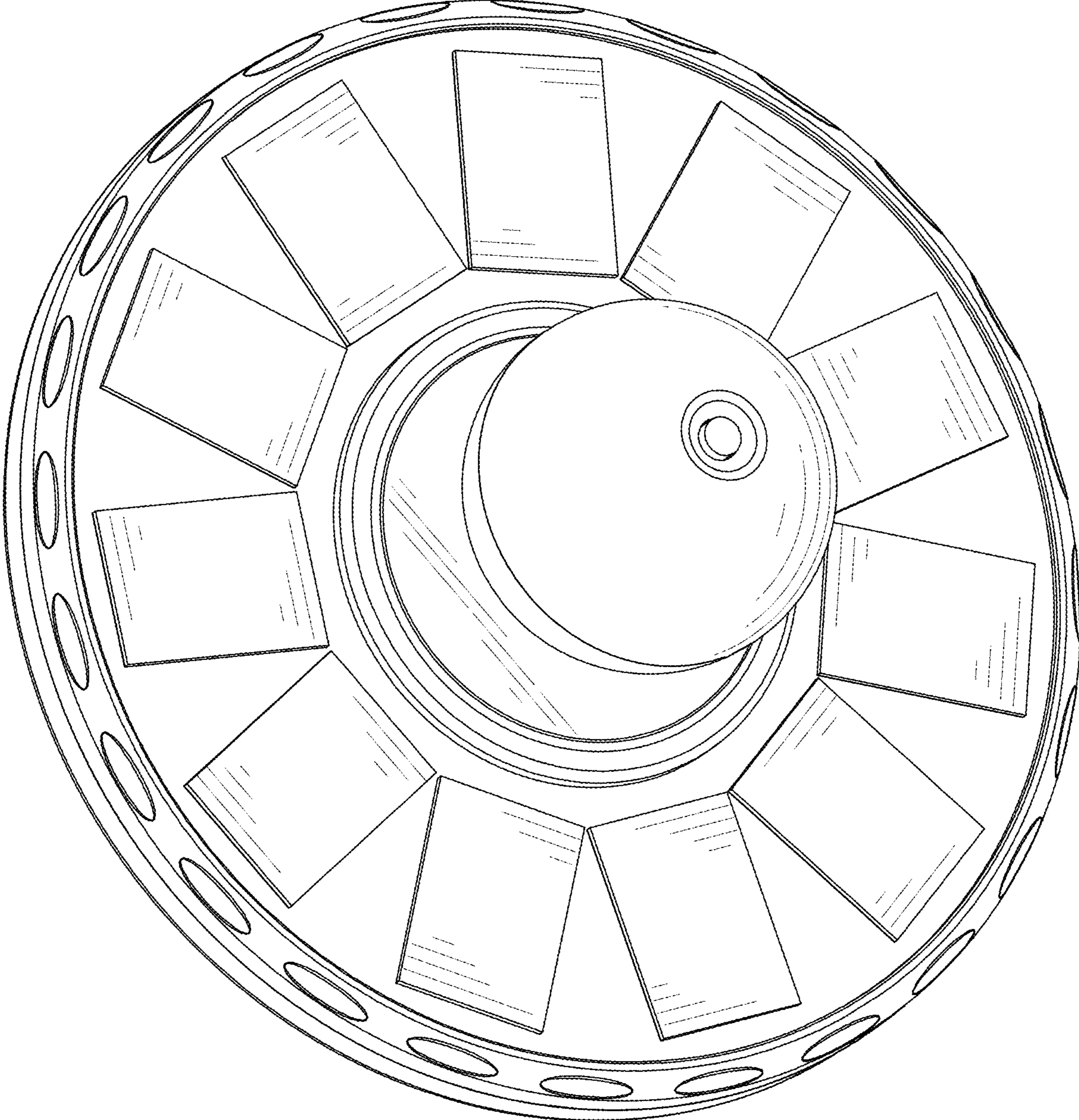


FIG. 1

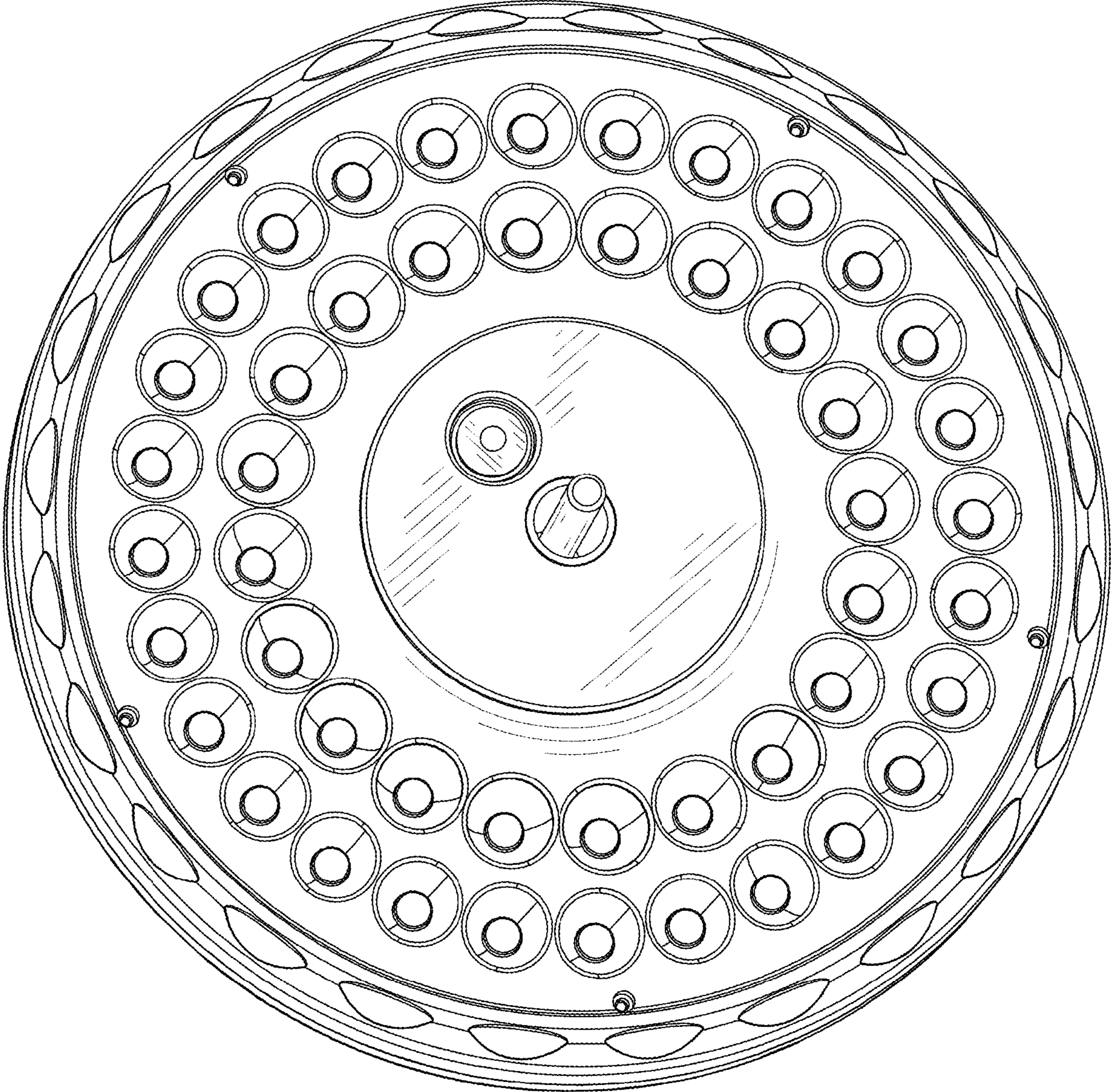


FIG. 2

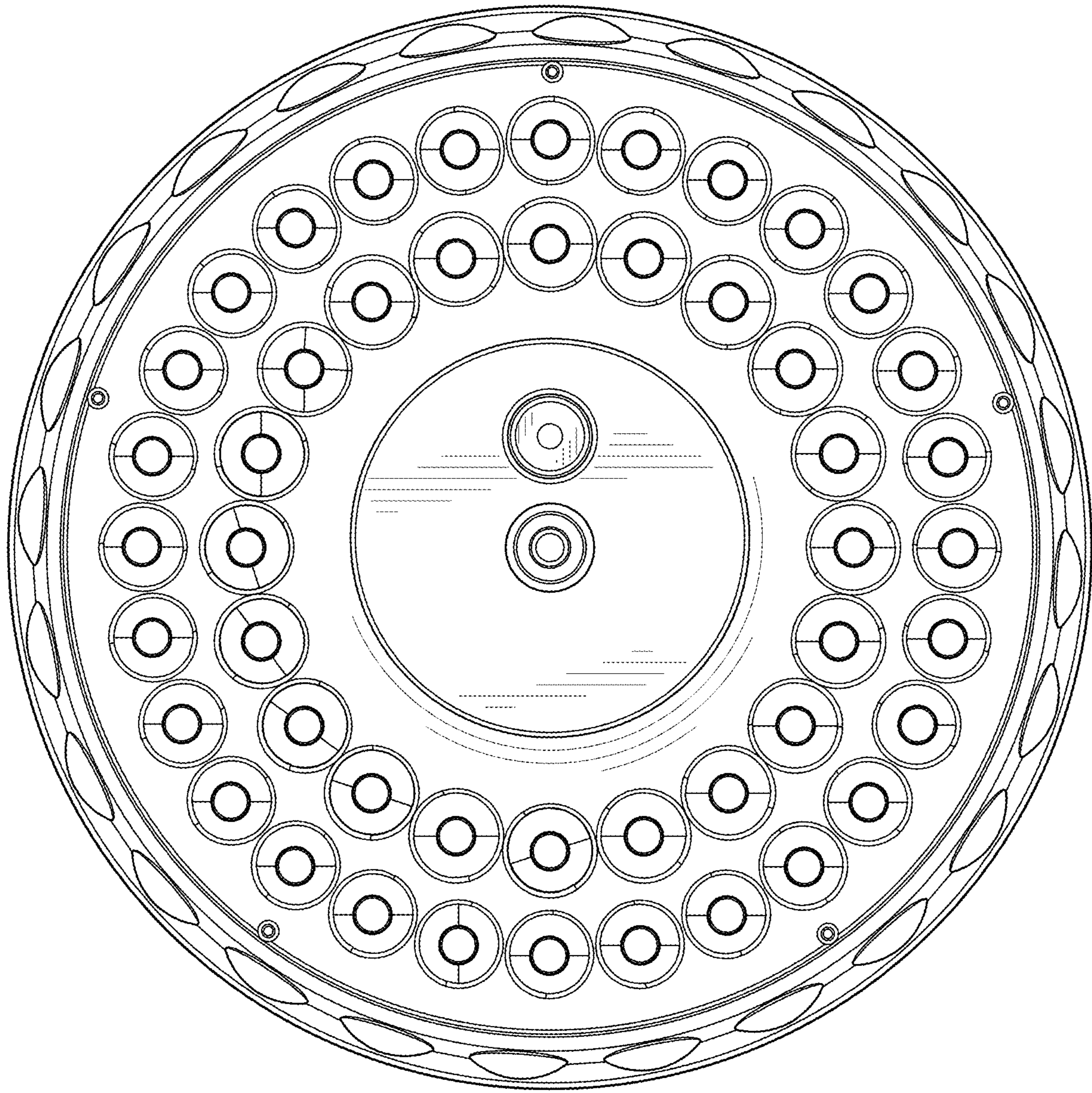


FIG. 3

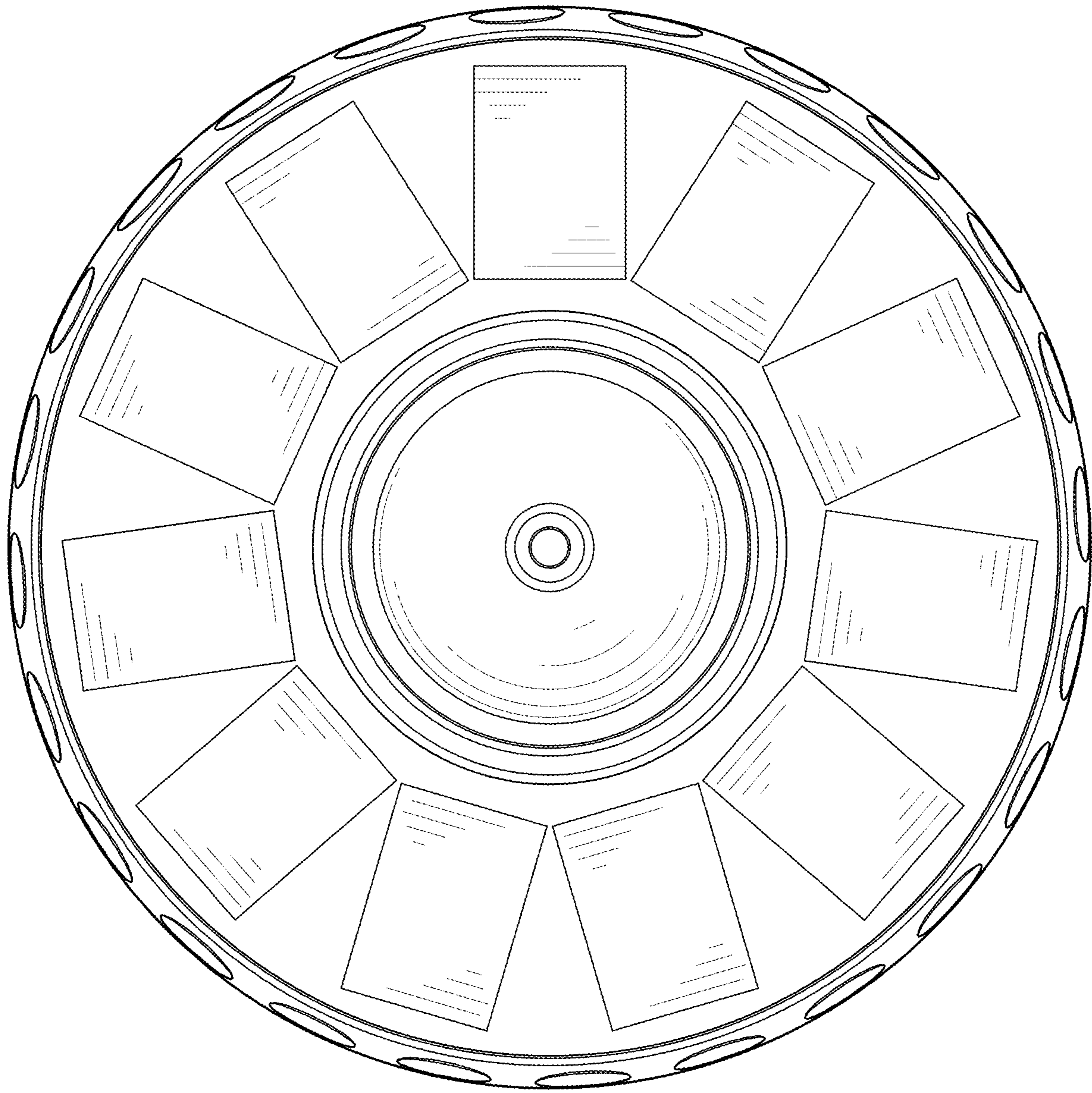


FIG. 4

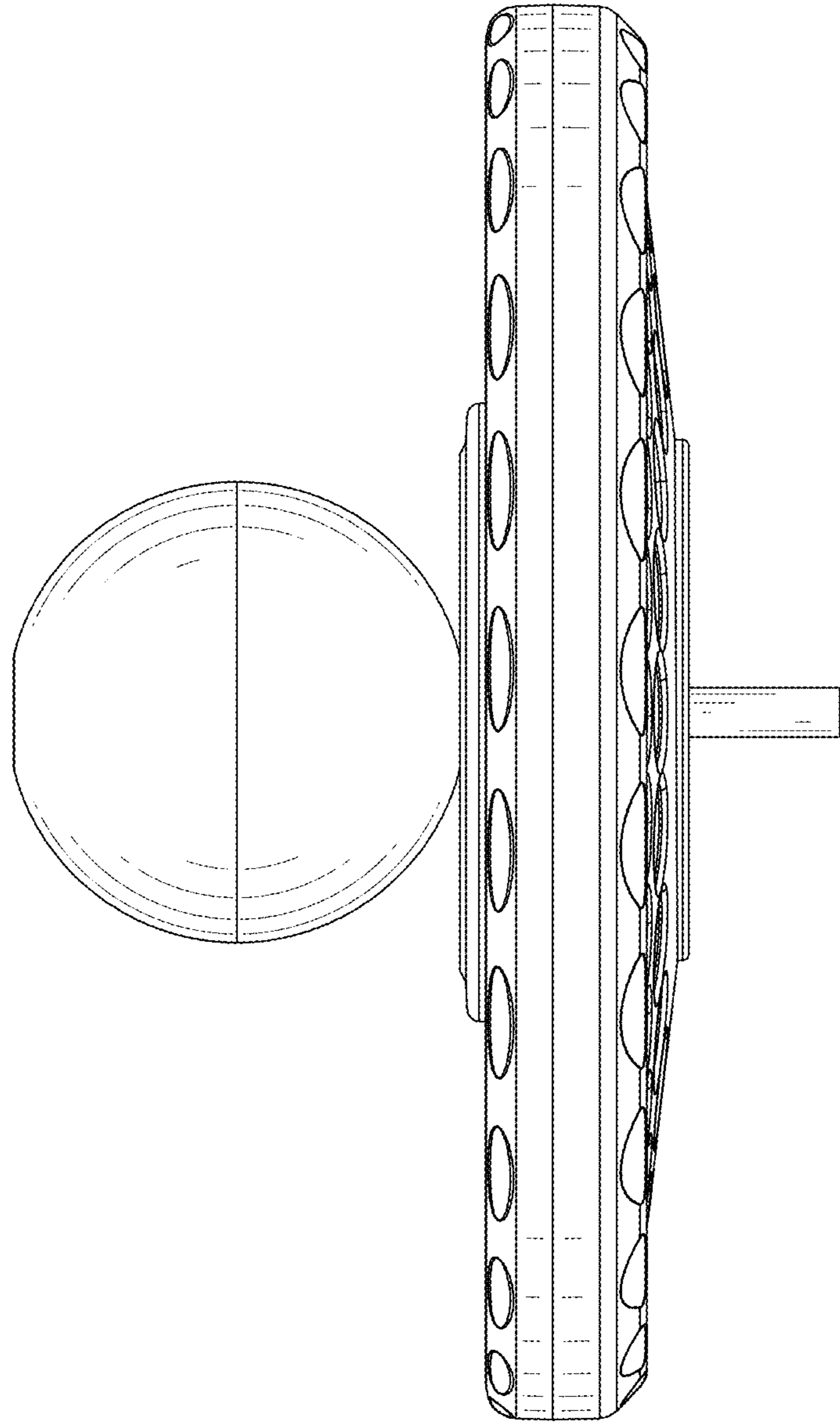


FIG. 5

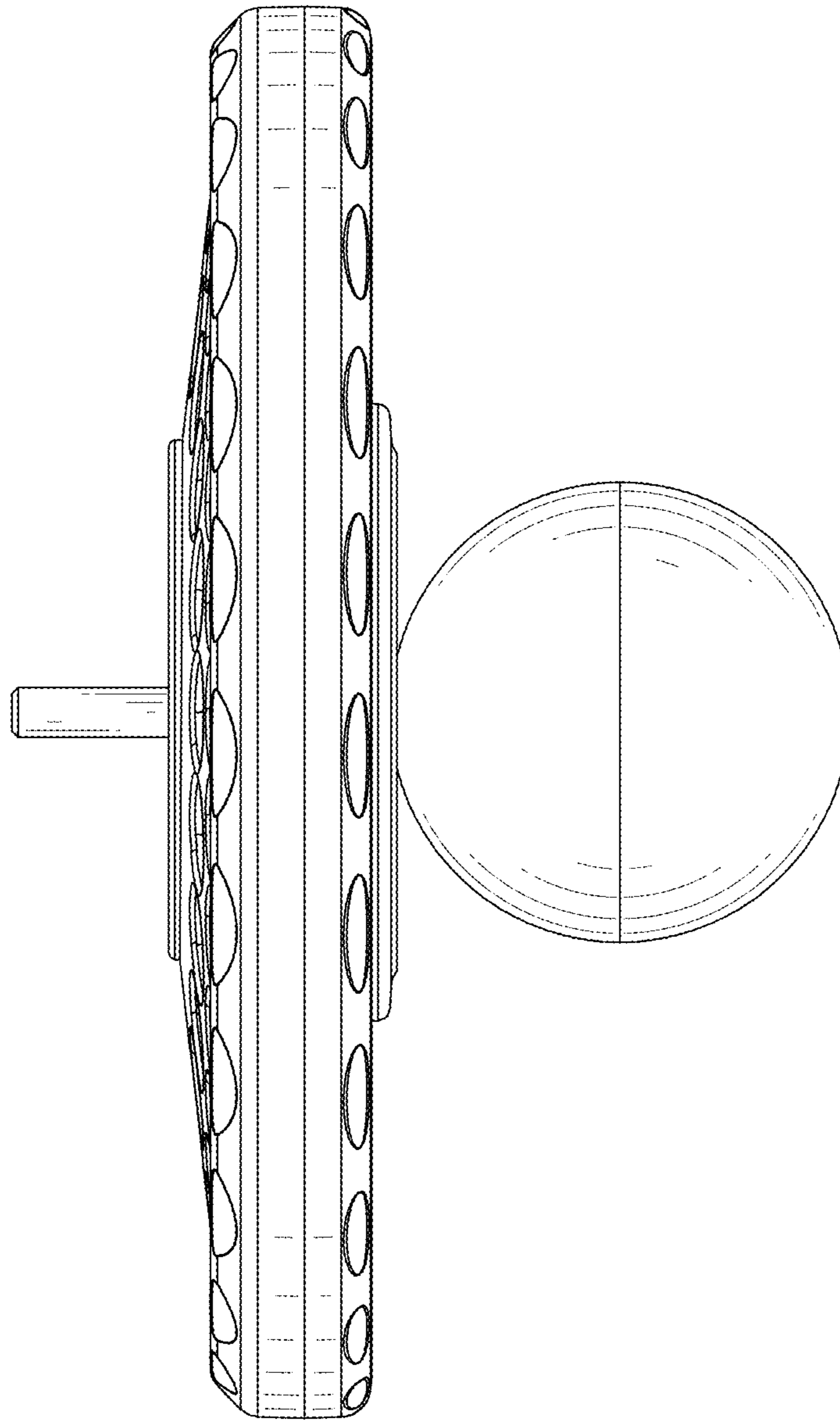


FIG. 6

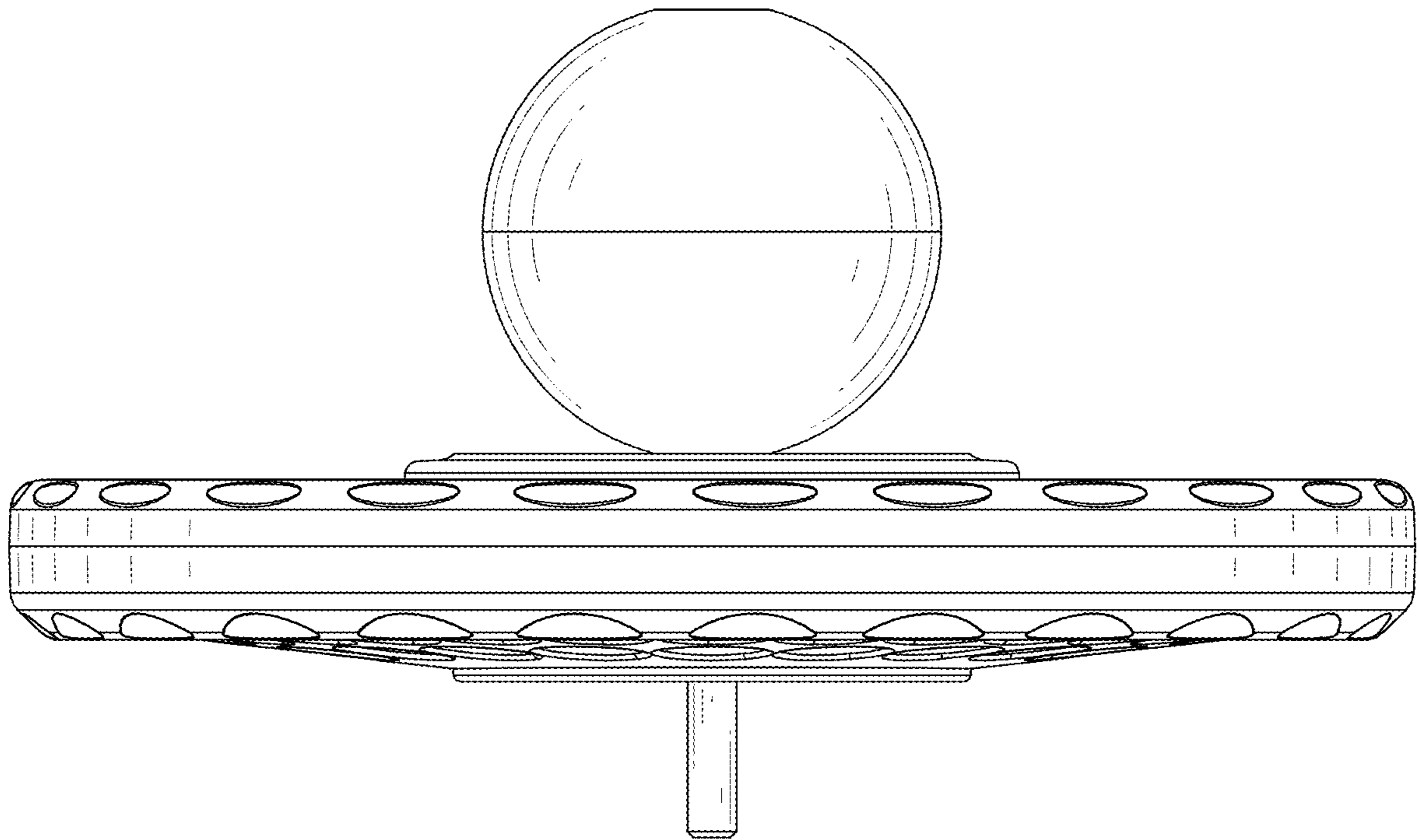


FIG. 7

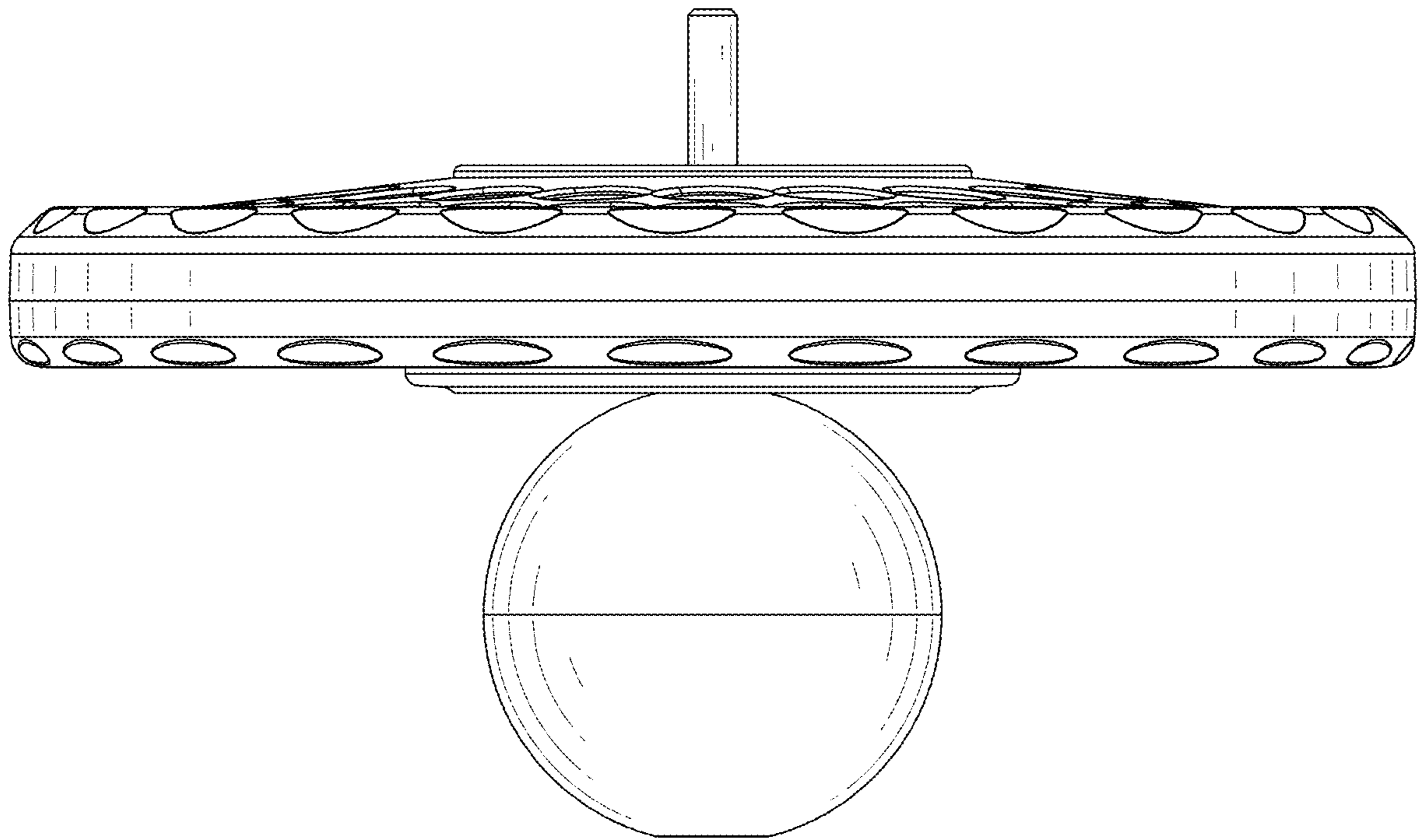


FIG. 8