



US00D875985S

(12) **United States Design Patent**
Yi et al.

(10) **Patent No.:** **US D875,985 S**
(45) **Date of Patent:** **** Feb. 18, 2020**

- (54) **LED DESK LAMP**
- (71) Applicant: **Shenzhen Flashine Lighting Co., Ltd.**,
Shenzhen (CN)
- (72) Inventors: **Shenhui Yi**, Linxiang (CN); **Bo She**,
Bazhong (CN)
- (73) Assignee: **SHENZHEN FLASHINE LIGHTING**
CO., LTD., Shenzhen (CN)

D623,788 S *	9/2010	Huang	D26/65
D641,916 S *	7/2011	Witsch	D26/61
D654,199 S *	2/2012	Xie	D26/63
D690,044 S *	9/2013	Ng	D26/65
D753,861 S *	4/2016	Yong Joon	D26/63
D758,631 S *	6/2016	Cai	D26/63
D759,282 S *	6/2016	Lee	D26/65
D804,071 S *	11/2017	Xu	D26/63
D804,072 S *	11/2017	Xu	D26/63
D804,697 S *	12/2017	Tang	D26/63

* cited by examiner

- (**) Term: **15 Years**
- (21) Appl. No.: **29/650,110**

Primary Examiner — Brian N. Vinson
(74) *Attorney, Agent, or Firm* — Dragon Sun Law Firm,
PC; Jinggao Li, Esq.

- (22) Filed: **Jun. 4, 2018**
- (51) **LOC (12) Cl.** **26-03**
- (52) **U.S. Cl.**
USPC **D26/65**
- (58) **Field of Classification Search**
USPC D26/24, 61, 63, 65, 106–112
CPC F21V 21/14; F21V 15/01; F21V 14/02;
F21V 21/30; F21V 21/00; F21V 14/00;
F21S 8/00; F21S 8/003; F21S 8/043;
F21Y 2105/001
See application file for complete search history.

(57) **CLAIM**

The ornamental design for a LED desk lamp, as shown and described.

DESCRIPTION

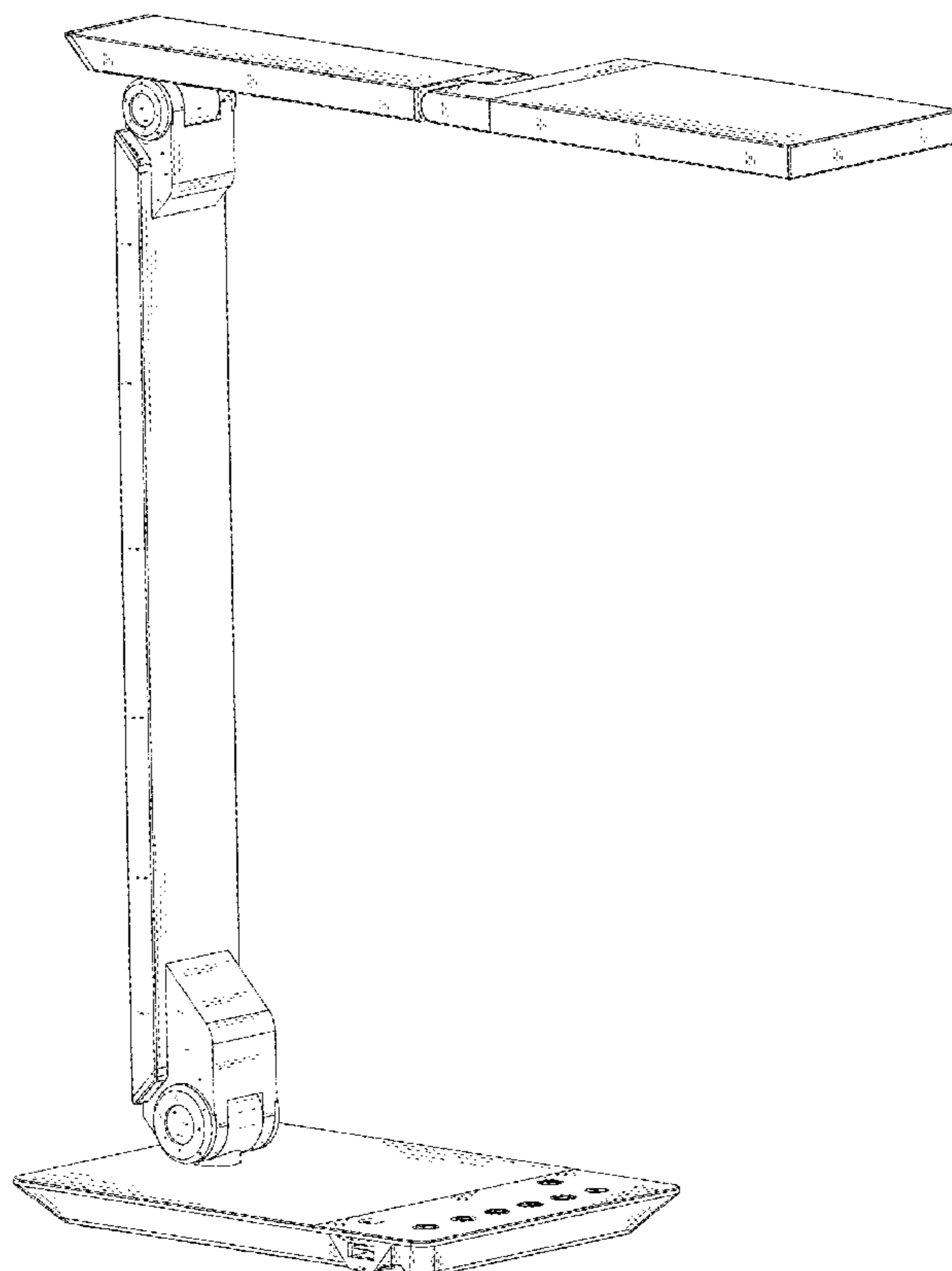
FIG. 1 is a front perspective view of a LED desk lamp showing our new design;
FIG. 2 is a rear elevational view thereof;
FIG. 3 is a front elevational view thereof;
FIG. 4 is a bottom plan view thereof;
FIG. 5 is a top plan view thereof;
FIG. 6 is a left elevational view thereof; and,
FIG. 7 is a right elevational view thereof.
The broken lines are for environmental proposes only and form no part of the claimed design.

(56) **References Cited**

U.S. PATENT DOCUMENTS

D599,929 S *	9/2009	Huang	D26/63
D619,746 S *	7/2010	Huang	D26/63

1 Claim, 7 Drawing Sheets



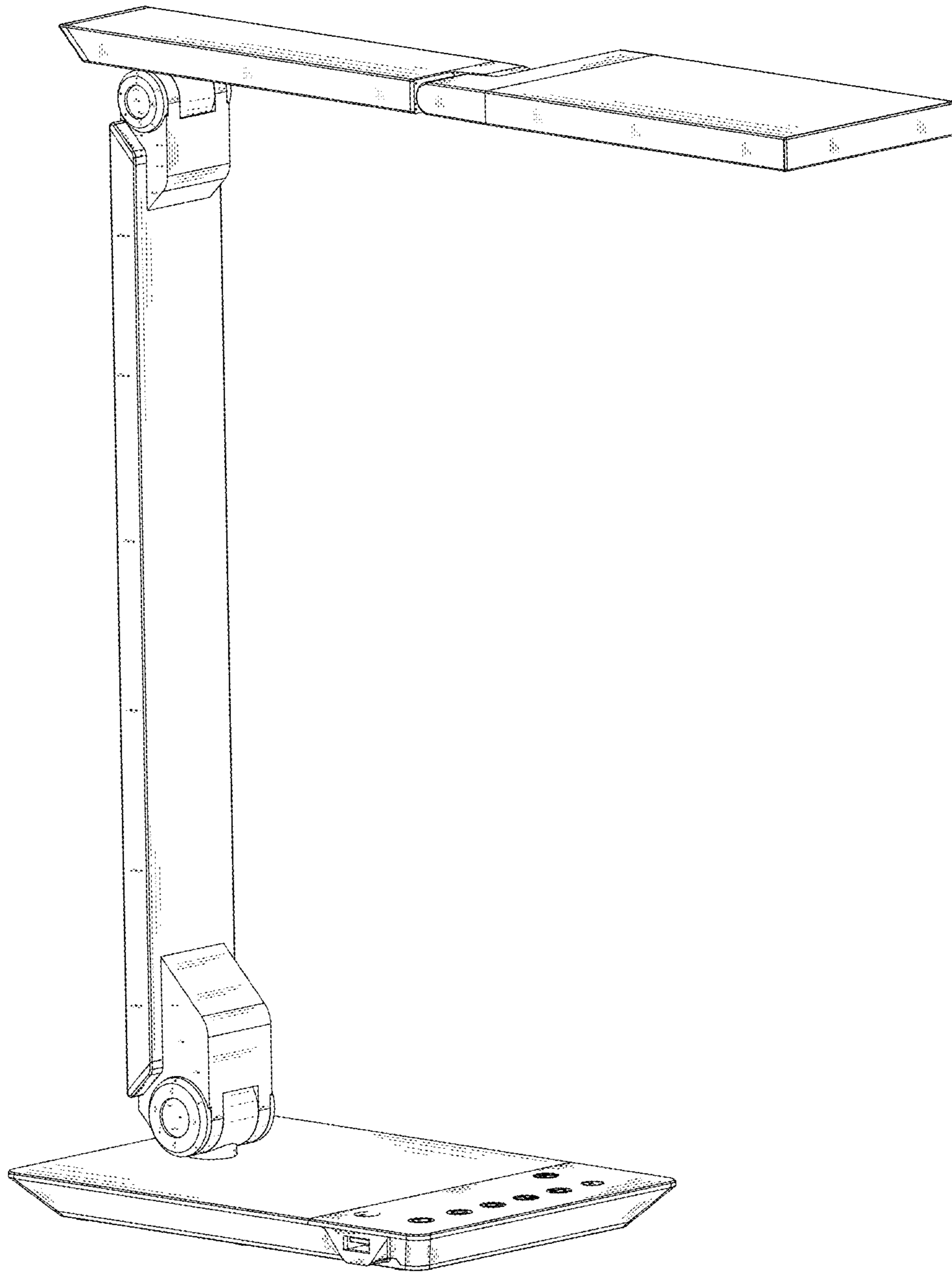


FIG. 1

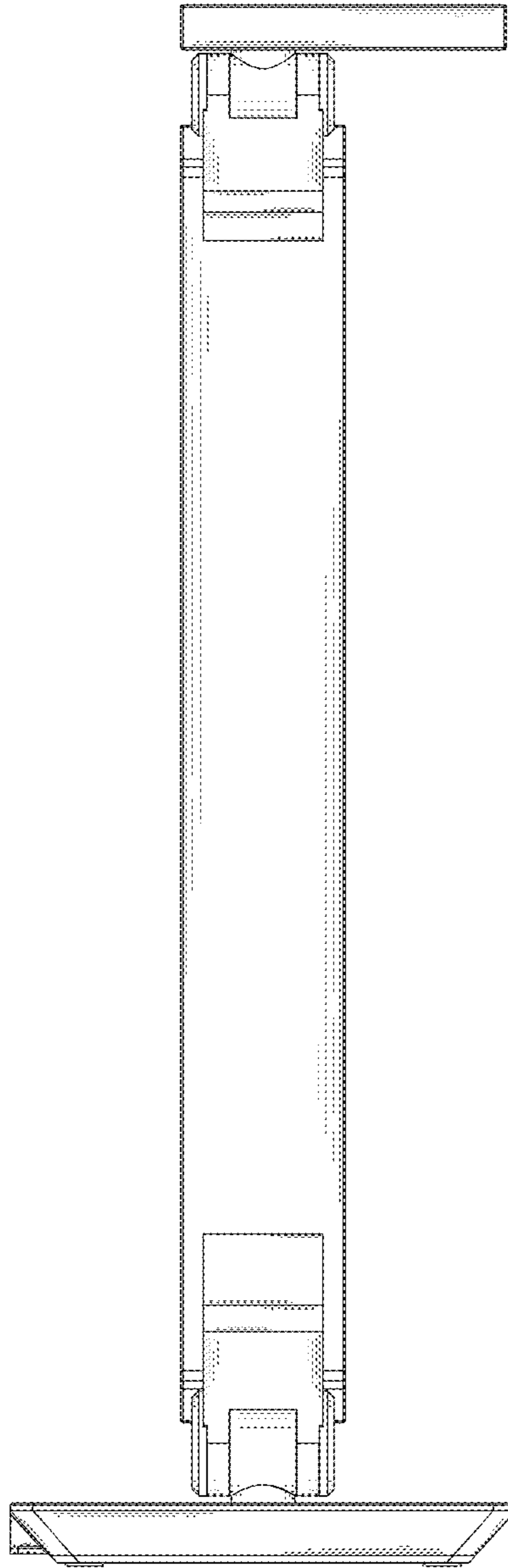


FIG. 2

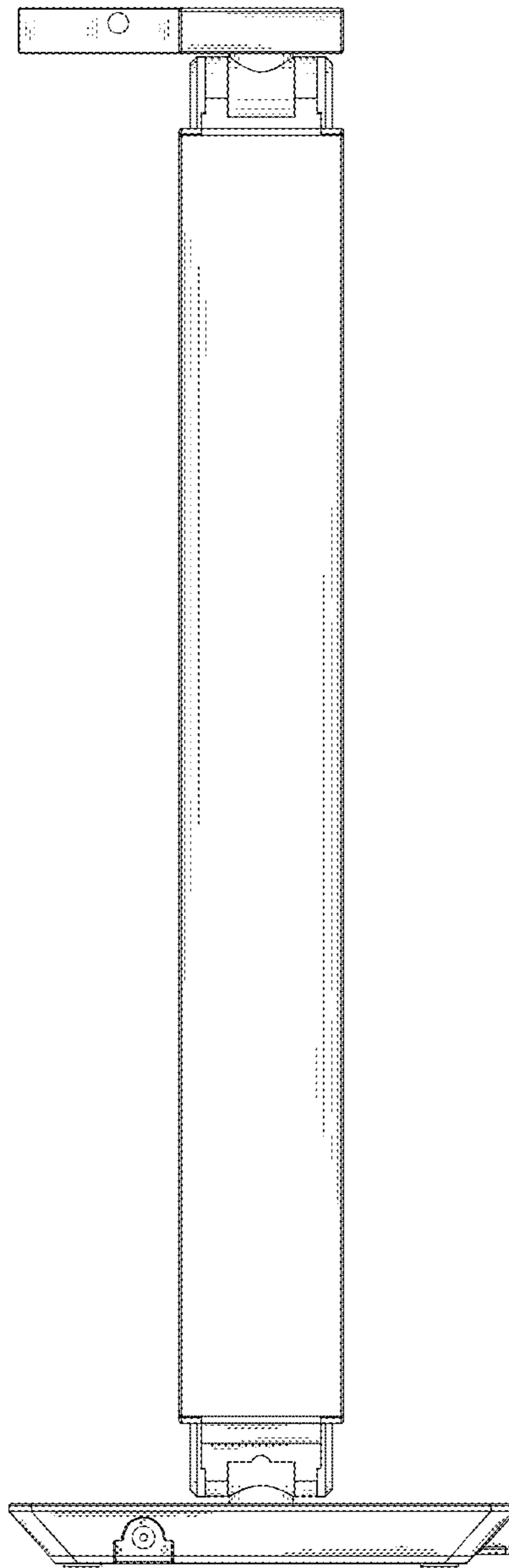


FIG. 3

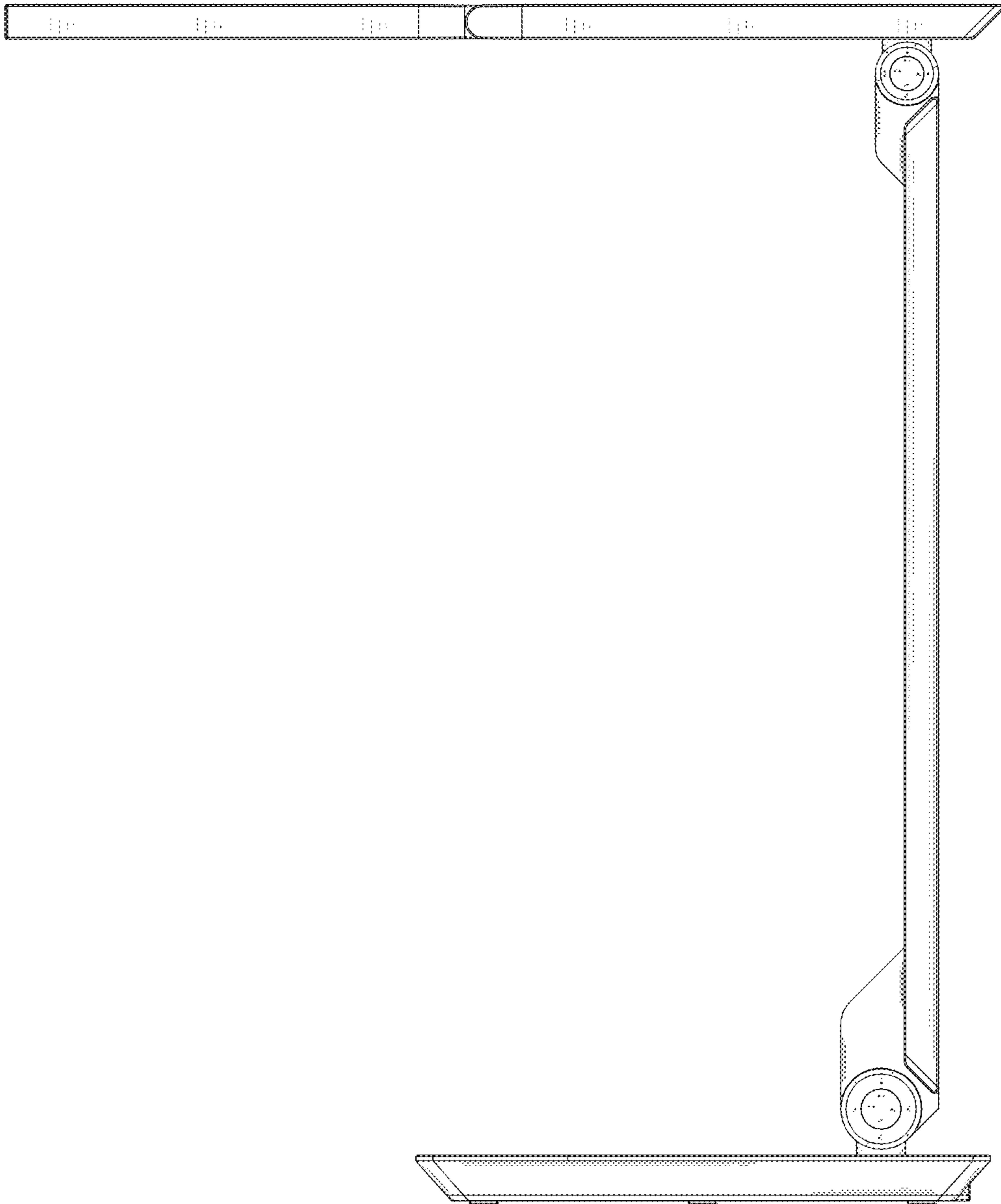


FIG. 4

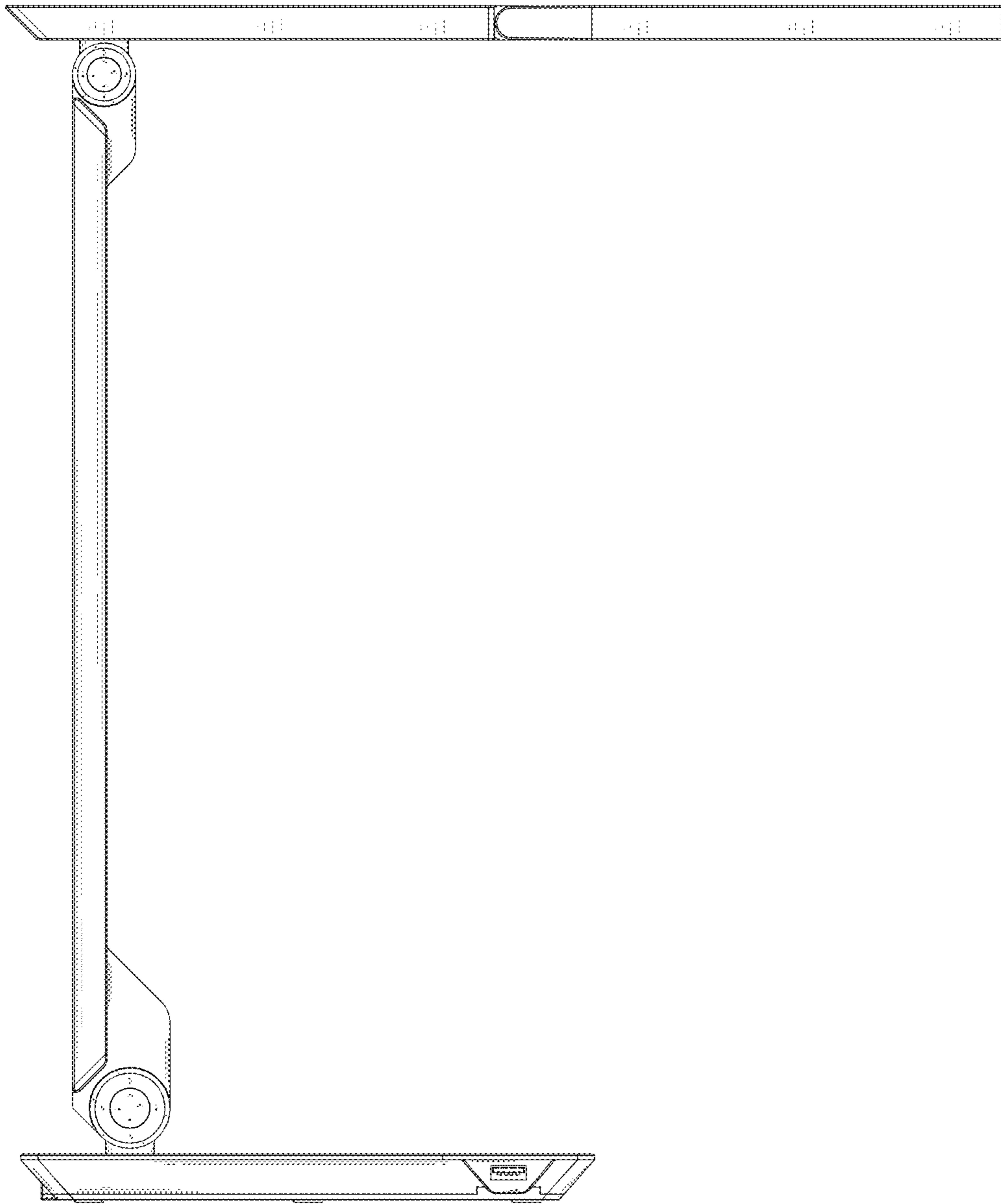


FIG. 5

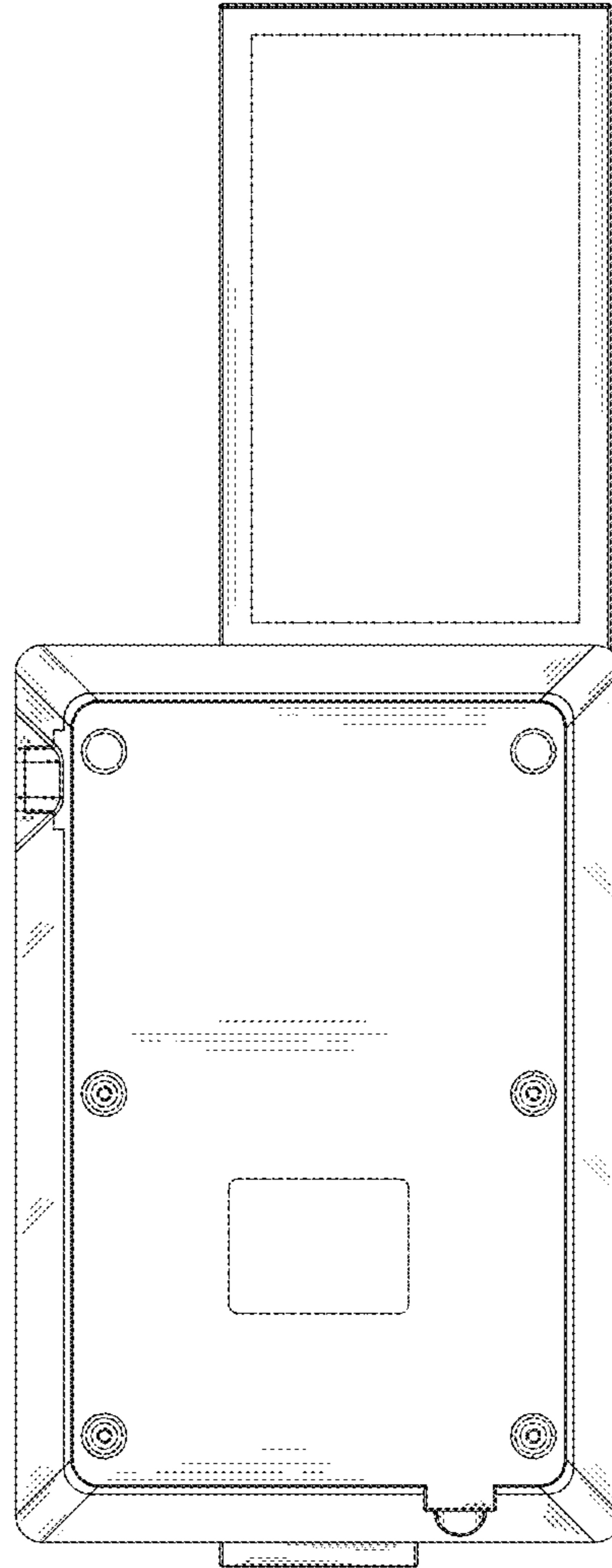


FIG. 6

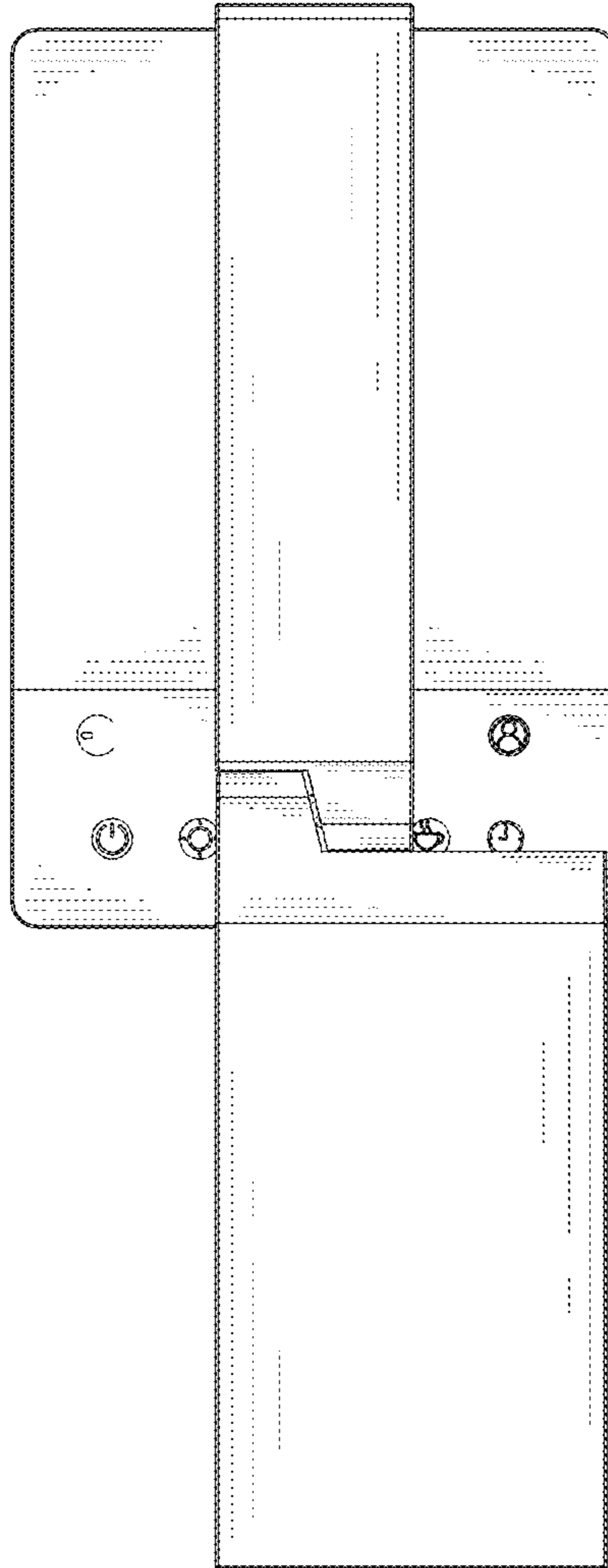


FIG. 7