



US00D875984S

(12) **United States Design Patent**
Xiao

(10) **Patent No.:** **US D875,984 S**

(45) **Date of Patent:** **** Feb. 18, 2020**

(54) **SOLAR SECURITY LIGHT WITH DUAL LAMPS**

(71) Applicant: **SHENZHEN VICTOR SOLAR TECHNOLOGY CO., LTD**, Shenzhen, Guangdong (CN)

(72) Inventor: **Zhifeng Xiao**, Ji-An (CN)

(73) Assignee: **SHENZHEN VICTOR SOLAR TECHNOLOGY CO., LTD**, Shenzhen, Guangdong Province (CN)

(**) Term: **15 Years**

(21) Appl. No.: **29/664,050**

(22) Filed: **Sep. 21, 2018**

(51) **LOC (12) Cl.** **26-05**

(52) **U.S. Cl.**
USPC **D26/63**

(58) **Field of Classification Search**
USPC D26/24, 25, 35, 60, 61, 63, 65, 70, 72, D26/81, 83, 92, 102, 11, 118, 124; D16/239; D14/126

CPC F21V 21/02; F21V 21/06; F21V 21/14; F21V 21/26; F21V 21/30; F21V 5/007; F21V 14/00; F21V 14/02; F21V 14/04; F21V 14/06; F21W 2131/10; F21W 2131/40; F21W 2131/107; F21W 2131/109; F21W 2131/401-407; F21W 2131/1005; F21S 8/00; F21S 8/04; F21S 8/08; F21S 8/003; F21S 8/043

See application file for complete search history.

(56) **References Cited**

U.S. PATENT DOCUMENTS

D294,870 S * 3/1988 Hsu D26/52
D301,634 S * 6/1989 DeCandia D26/63
D360,960 S * 8/1995 Wedell D26/63

D392,406 S * 3/1998 Morrow D10/106.1
D546,997 S * 7/2007 Monroe D26/51
D560,838 S * 1/2008 Monroe D26/63
D583,974 S * 12/2008 Johnson D26/61
D713,581 S * 9/2014 Chen D26/63
D713,582 S * 9/2014 Liang D26/63
D742,053 S * 10/2015 Sussman D26/63
D745,201 S * 12/2015 Lee D26/63
D765,901 S * 9/2016 Chen D26/63
D774,231 S * 12/2016 Recker D26/63
D810,982 S * 2/2018 Liang D26/63
D826,445 S * 8/2018 Cao D26/63
D857,961 S * 8/2019 Mai D26/61
D858,842 S * 9/2019 Chen D26/63
D858,845 S * 9/2019 Zhang D26/63
D862,758 S * 10/2019 Zhu D26/63
2015/0036359 A1 * 2/2015 Chen F21S 8/033
362/368
2019/0056076 A1 * 2/2019 Thomas F21V 15/01

* cited by examiner

Primary Examiner — Wan Laymon

Assistant Examiner — Clint A Samuel

(74) *Attorney, Agent, or Firm* — Li & Cai Intellectual Property (USA) Office

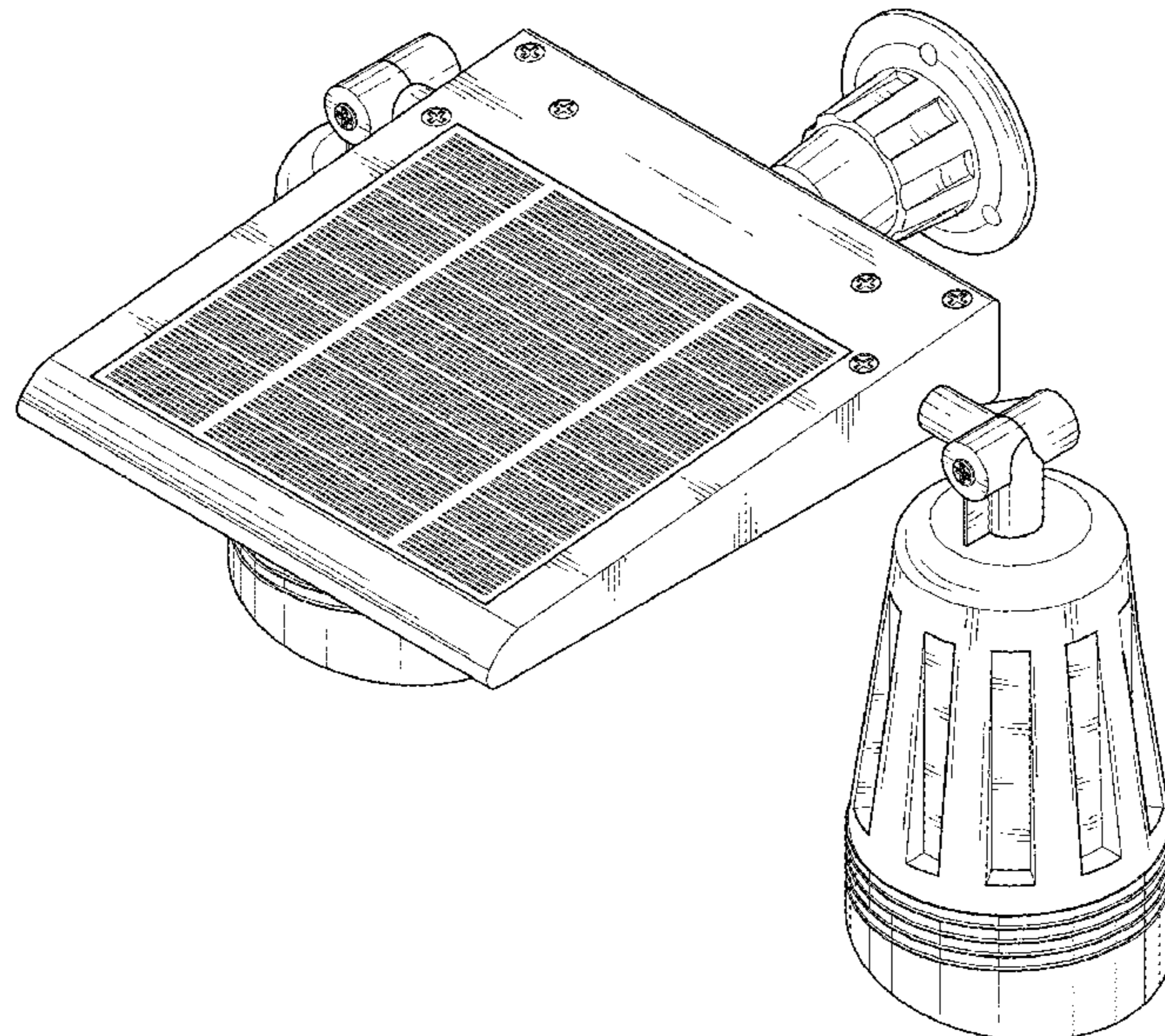
(57) **CLAIM**

The ornamental design for a solar security light with dual lamps, as shown and described.

DESCRIPTION

FIG. 1 is a front perspective view of a solar security light with dual lamps showing my new design; FIG. 2 is a front elevational view thereof; FIG. 3 is a rear elevational view thereof; FIG. 4 is a left side elevational view thereof; FIG. 5 is a right side elevational view thereof; FIG. 6 is a top plan view thereof; FIG. 7 is a bottom plan view thereof; and, FIG. 8 is a rear perspective view thereof.

1 Claim, 8 Drawing Sheets



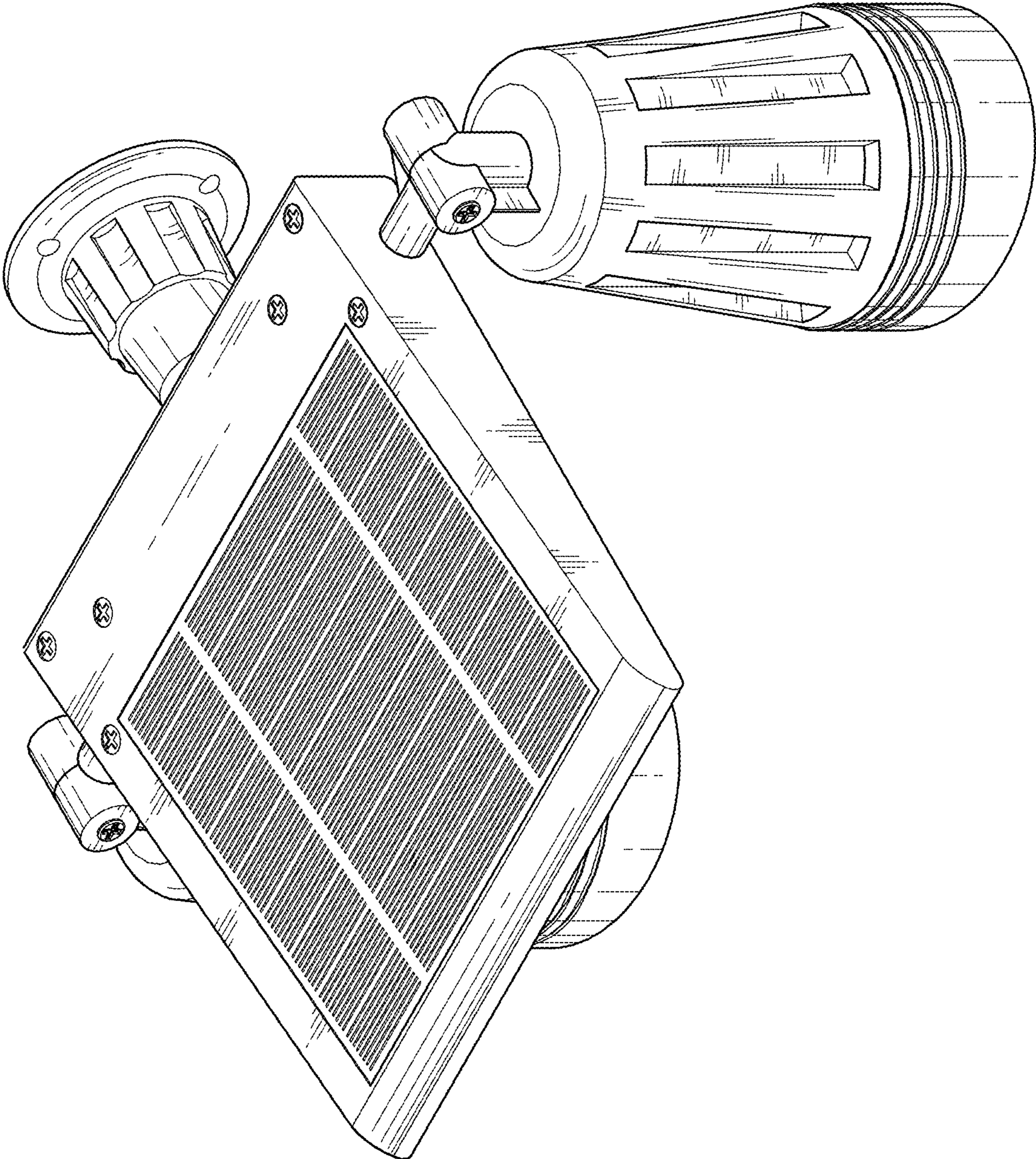


FIG. 1

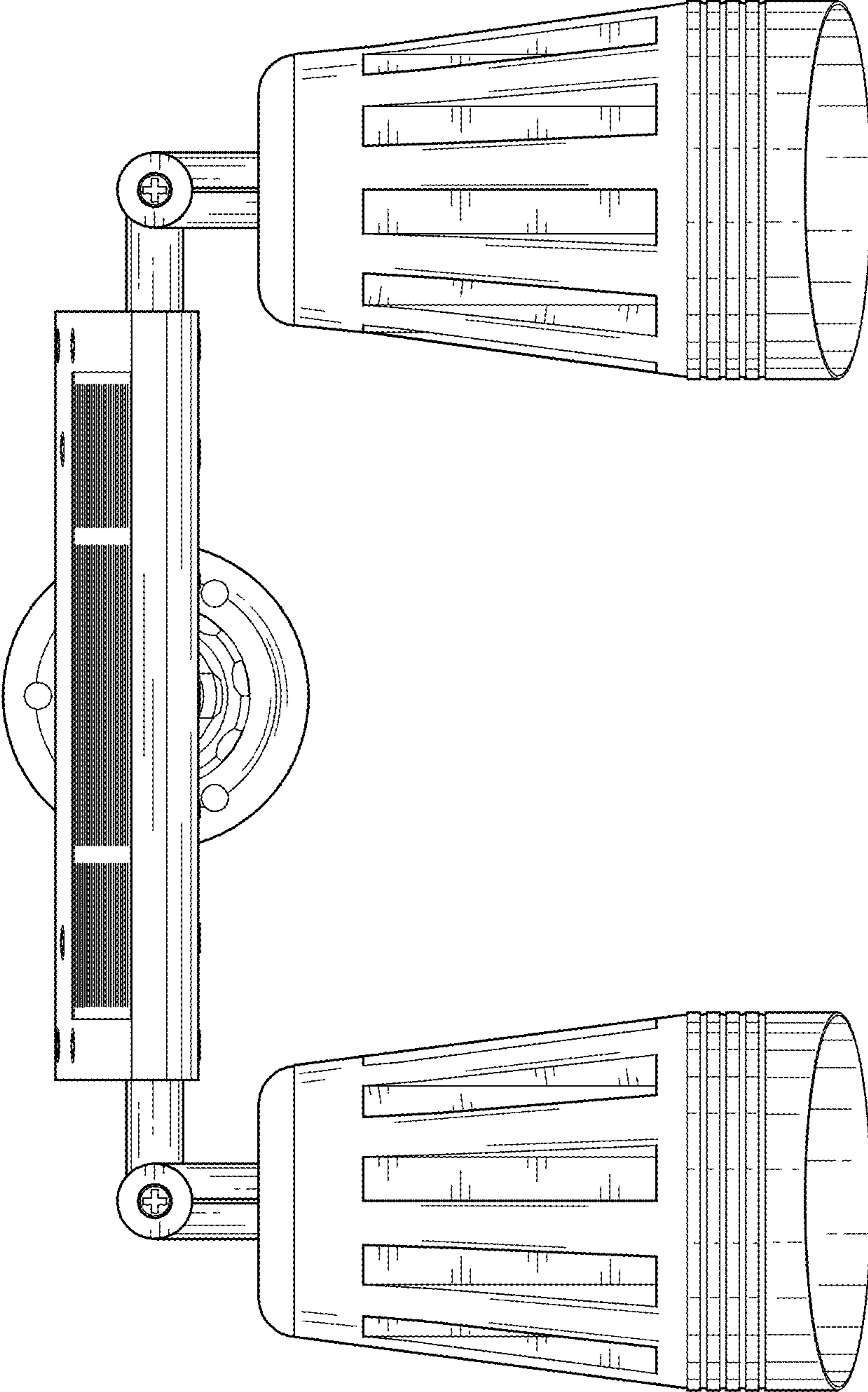


FIG. 2

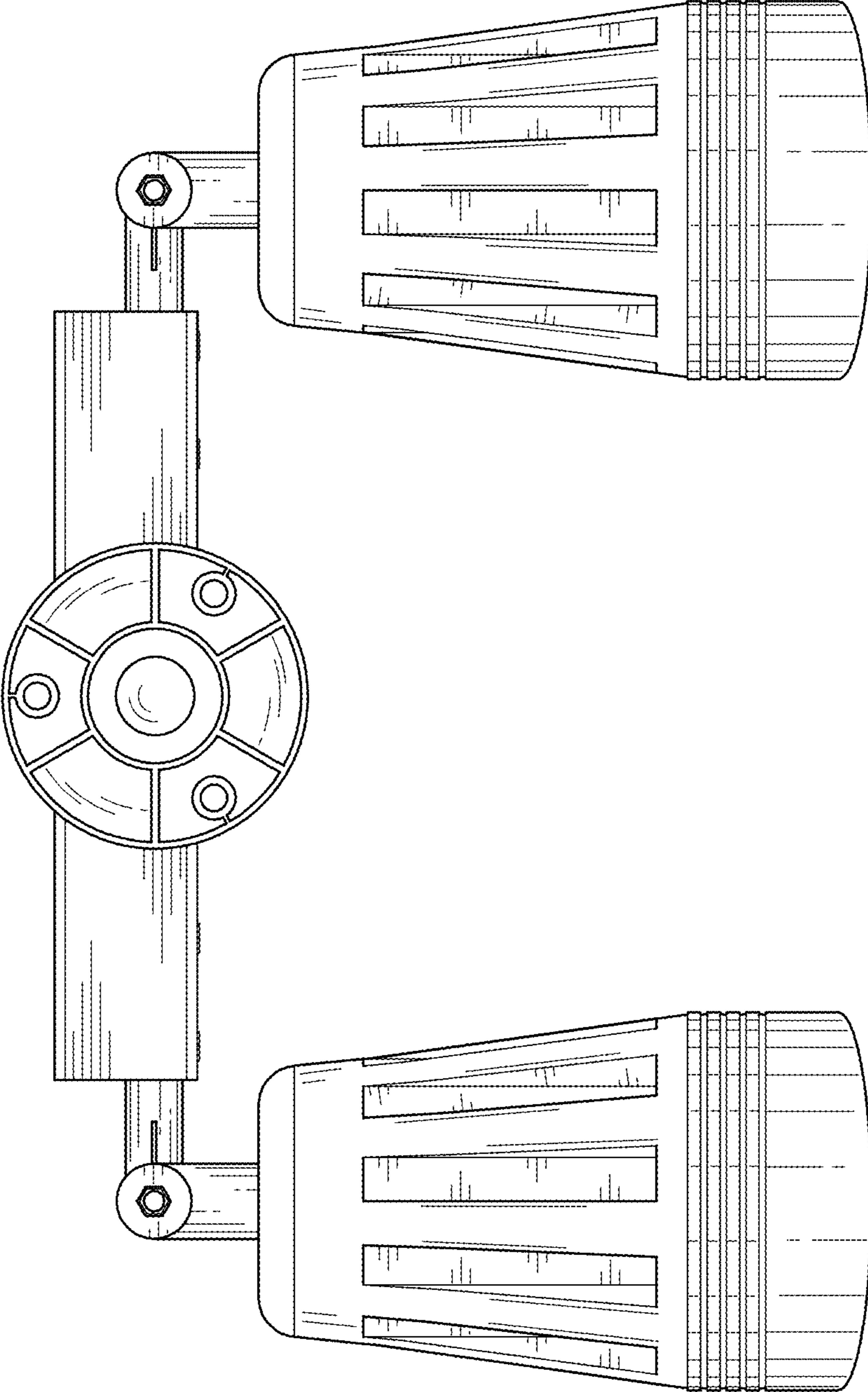


FIG. 3

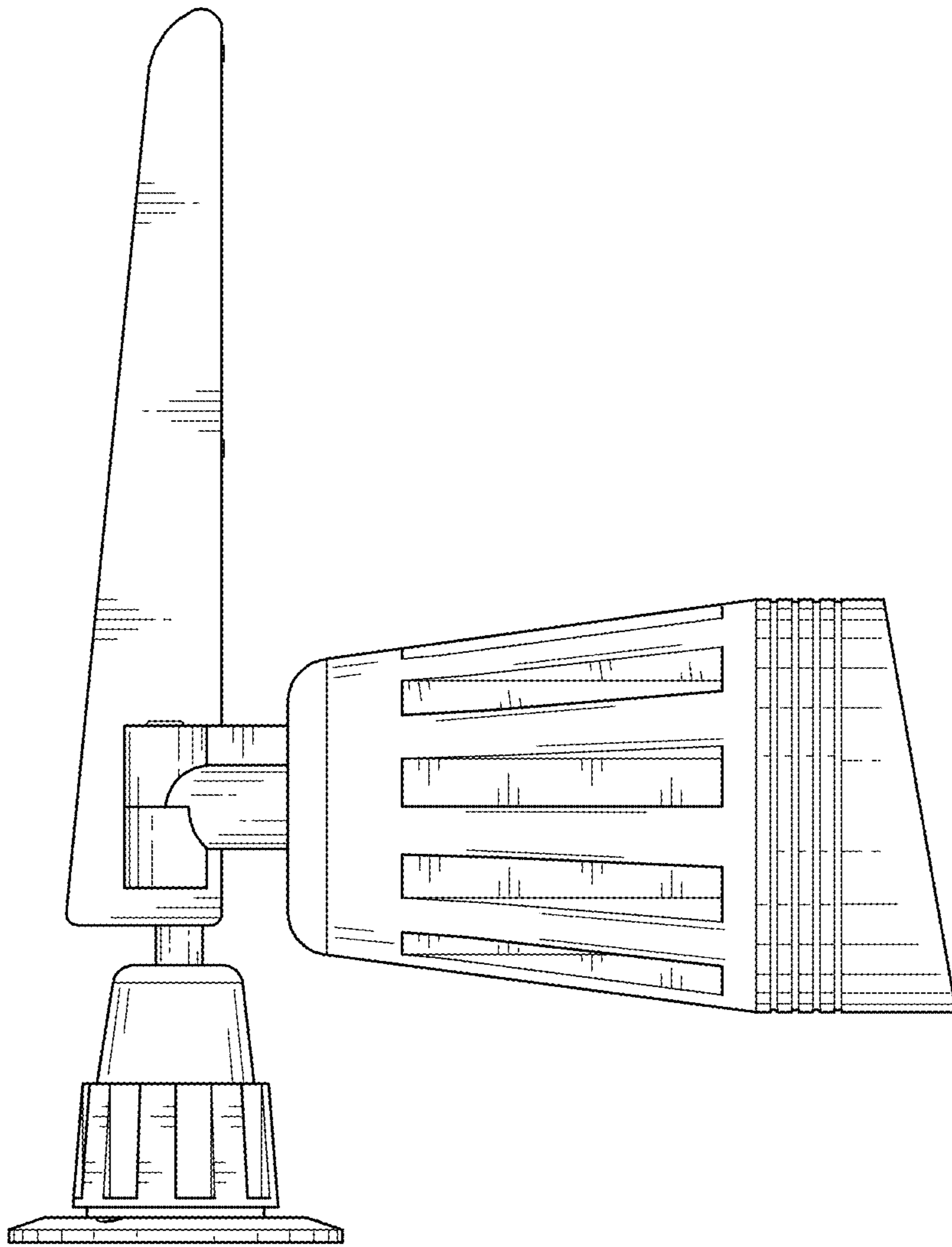


FIG. 4

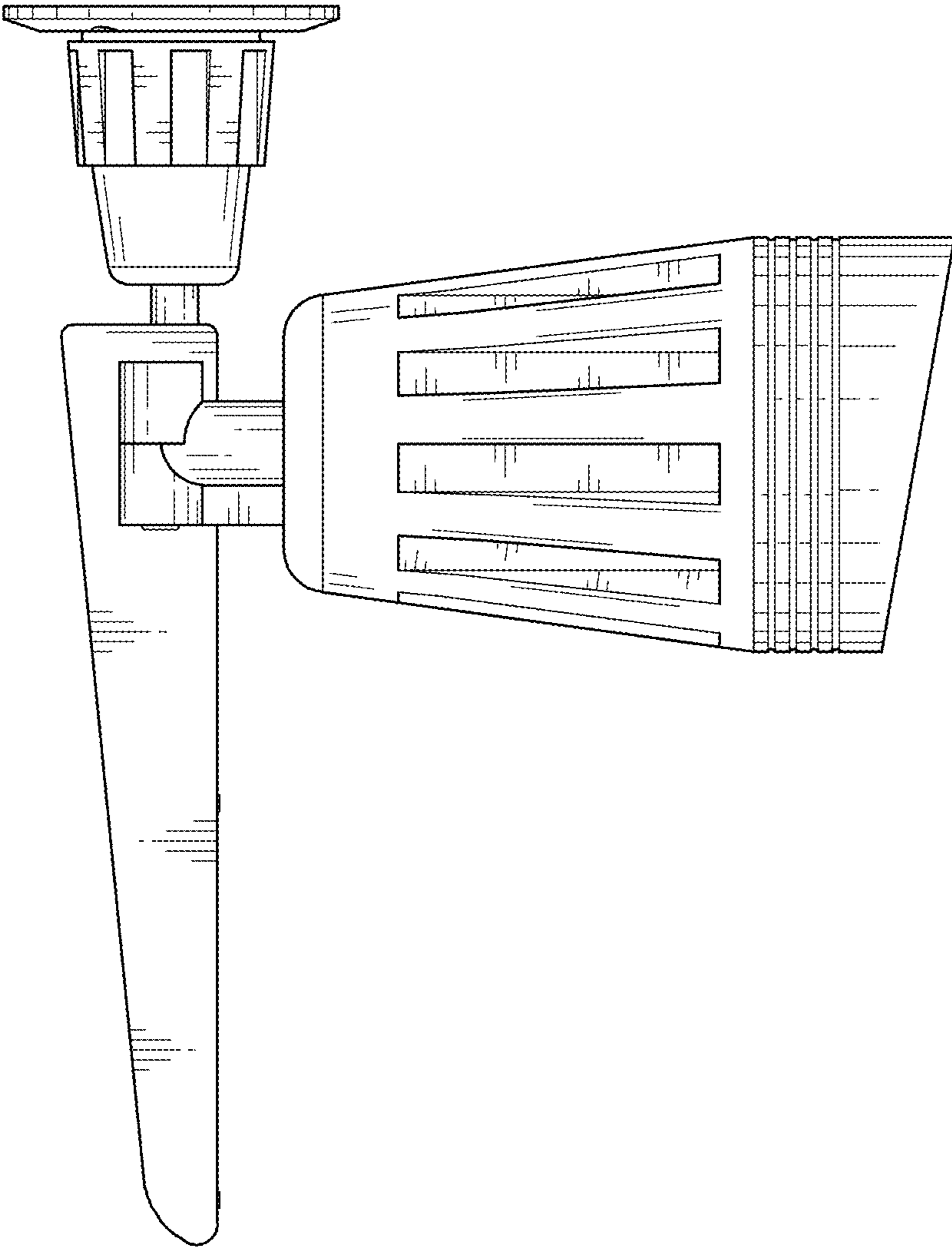


FIG. 5

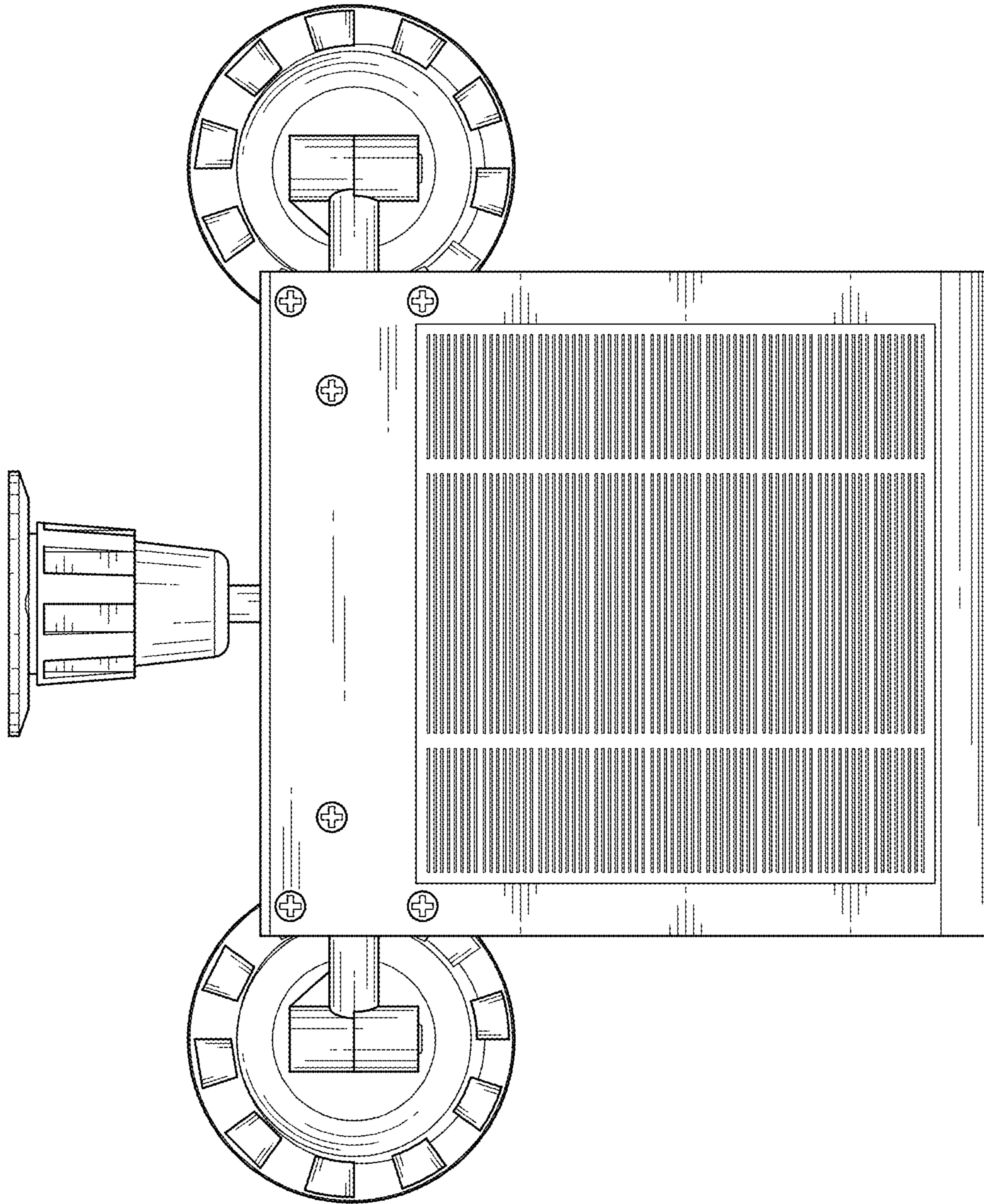


FIG. 6

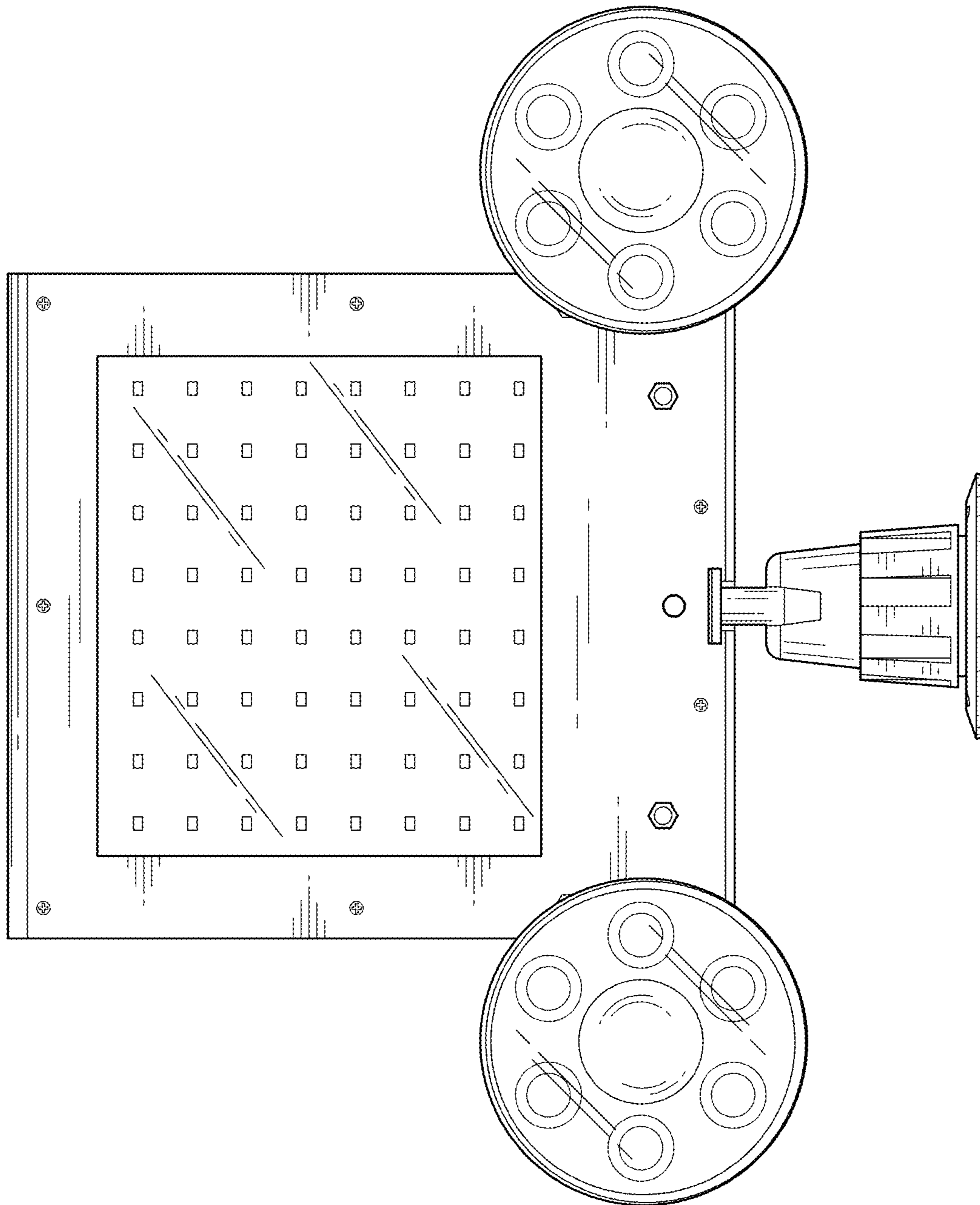


FIG. 7

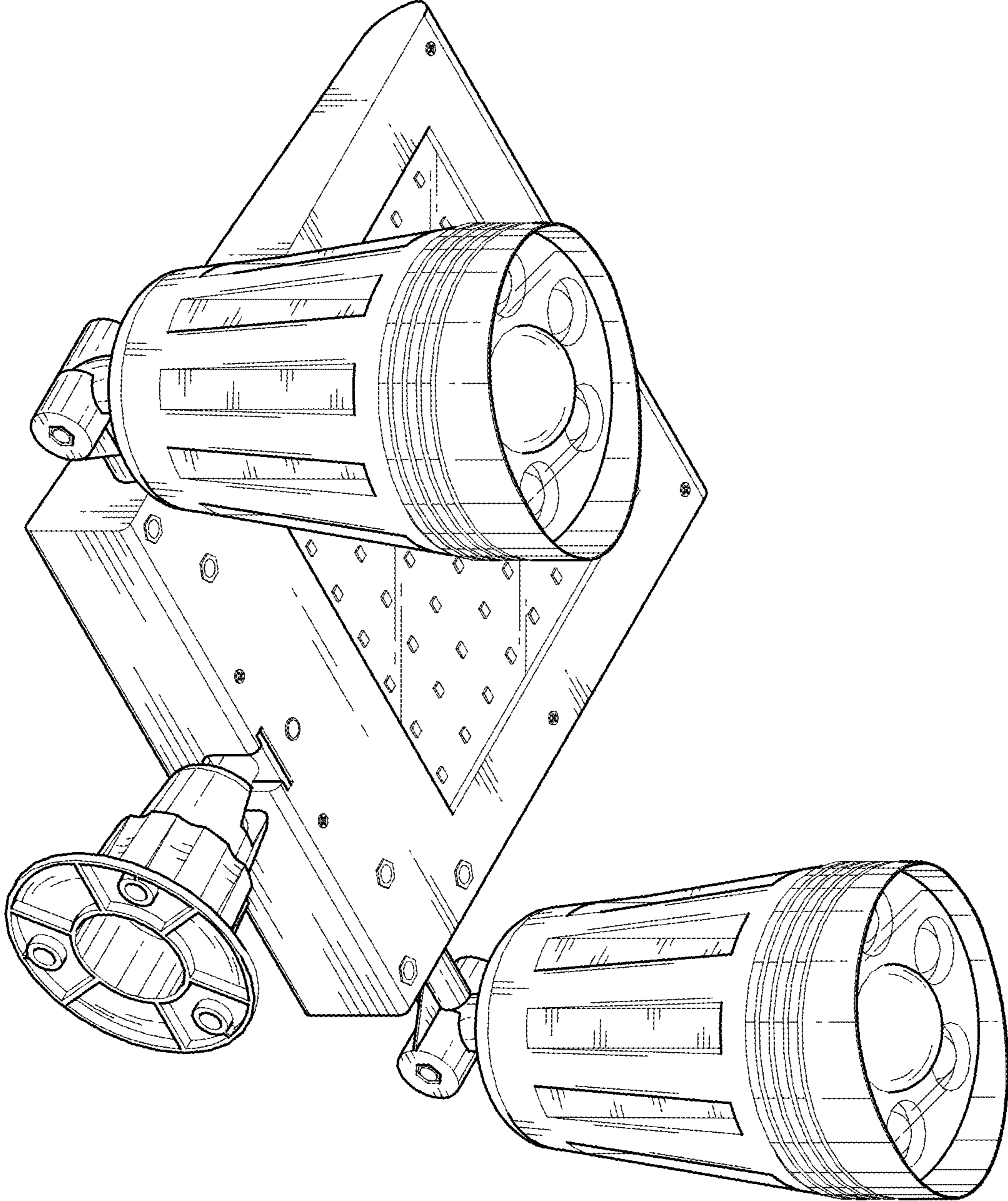


FIG. 8