



US00D875983S

(12) **United States Design Patent**
Zhu

(10) **Patent No.:** **US D875,983 S**

(45) **Date of Patent:** **** Feb. 18, 2020**

- (54) **WALL LAMP WITH SENSOR**
- (71) Applicant: **YUYAO YUDA INDUSTRIAL CO., LTD.**, Ningbo, Zhejiang (CN)
- (72) Inventor: **Liyun Zhu**, Zhejiang (CN)
- (73) Assignee: **YUYAO YUDA INDUSTRIAL CO., LTD.**, Ningbo (CN)
- (**) Term: **15 Years**
- (21) Appl. No.: **29/649,703**
- (22) Filed: **May 31, 2018**
- (51) **LOC (12) Cl.** **26-03**
- (52) **U.S. Cl.**
USPC **D26/63**
- (58) **Field of Classification Search**
USPC D26/24, 37, 44, 60, 61, 63-66, 72, 74,
D26/80, 81, 83, 85-87, 92, 102, 113
CPC F21S 8/00; F21S 8/003; F21S 8/04; F21S
8/043; F21S 8/08; F21V 14/00; F21V
14/02; F21V 15/01; F21V 17/02; F21V
19/00; F21V 21/00; F21V 21/02; F21V
21/06; F21V 21/14; F21V 21/26; F21V
21/30; F21V 23/02; F21V 23/04; F21V
29/00; F21V 33/00
See application file for complete search history.

9,839,088	B1 *	12/2017	Deaton	F21S 9/022
D820,506	S *	6/2018	Chen	D26/120
10,107,480	B1 *	10/2018	Ladewig	F21V 17/02
D853,623	S *	7/2019	Paredes	D26/118
D858,842	S *	9/2019	Chen	D26/63
D858,845	S *	9/2019	Zhang	D26/63
D862,758	S *	10/2019	Zhu	D26/63

OTHER PUBLICATIONS

Good Earth Lighting Motion-Activated Flood Light, dated Apr. 23, 2017, [online], [site visited Mar. 26, 2019]. Available from Internet, <URL:https://www.lowes.com/pd/Good-Earth-Lighting-240-Degree-2485-Lumen-Dual-Detection-Zone-Bronze-Integrated-LED-Motion-Activated-Flood-Light-with-Timer/1000215599> (Year: 2017).*

* cited by examiner

Primary Examiner — Angela J Lee
Assistant Examiner — Shawn T Gingrich

(57) **CLAIM**

The ornamental design for a wall lamp with sensor, as shown and described.

DESCRIPTION

FIG. 1 is a front and left side perspective view of a wall lamp with sensor showing my new design; FIG. 2 is a rear and right side perspective view thereof; FIG. 3 is a front elevational view thereof; FIG. 4 is a rear elevational view thereof; FIG. 5 is a left side view thereof; FIG. 6 is a right side view thereof; FIG. 7 is a top plan view thereof; and, FIG. 8 is a bottom plan view thereof.

The broken lines in the drawings illustrate portions of the wall lamp with sensor which form no part of the claimed design.

1 Claim, 8 Drawing Sheets

- (56) **References Cited**
U.S. PATENT DOCUMENTS
D316,456 S * 4/1991 De Candia D26/63
5,649,761 A * 7/1997 Sandell F21V 17/02
362/276
D392,065 S * 3/1998 Morrow D10/106.1
D745,201 S * 12/2015 Lee D26/63
D759,291 S * 6/2016 Chen D26/120

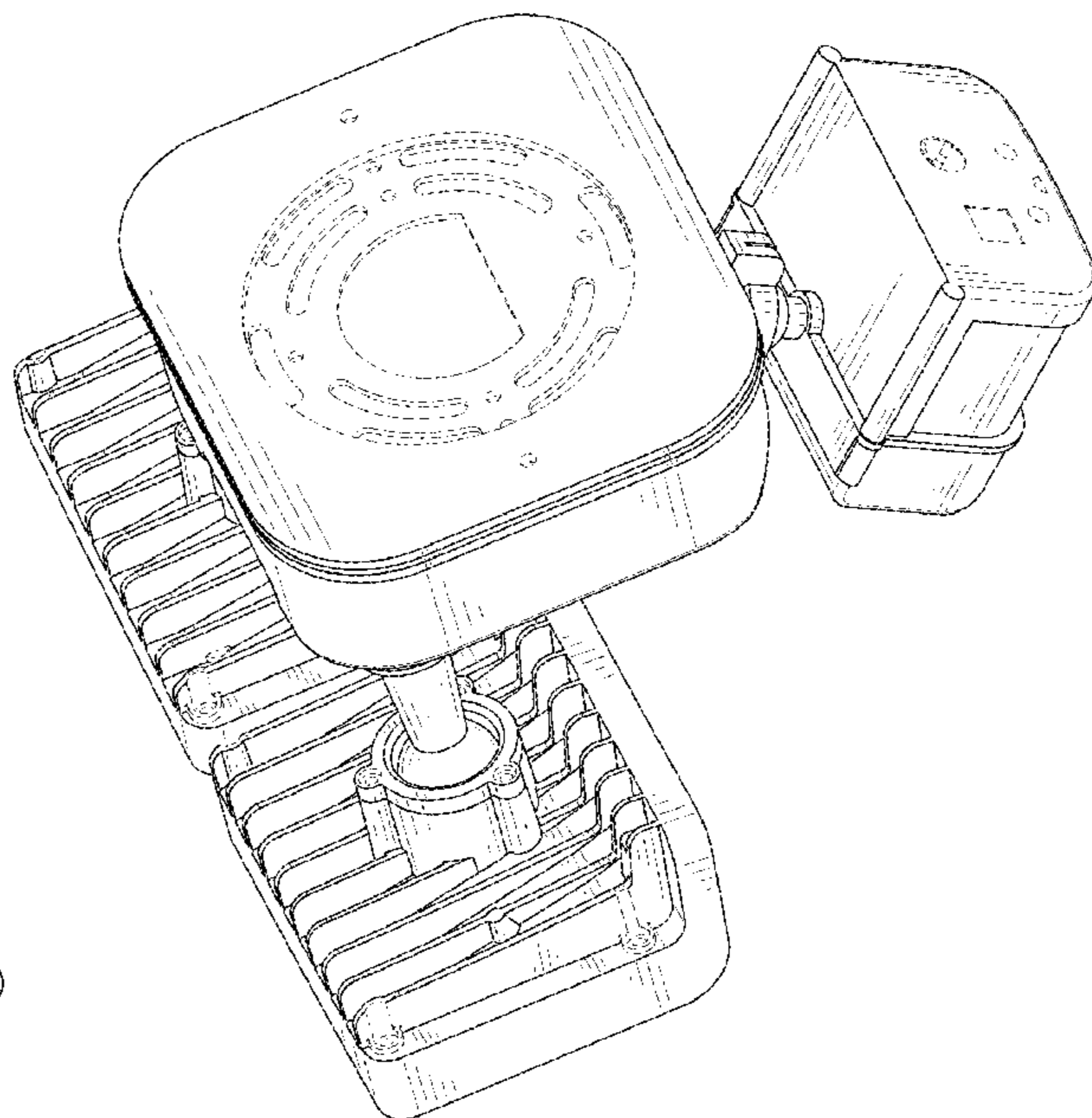
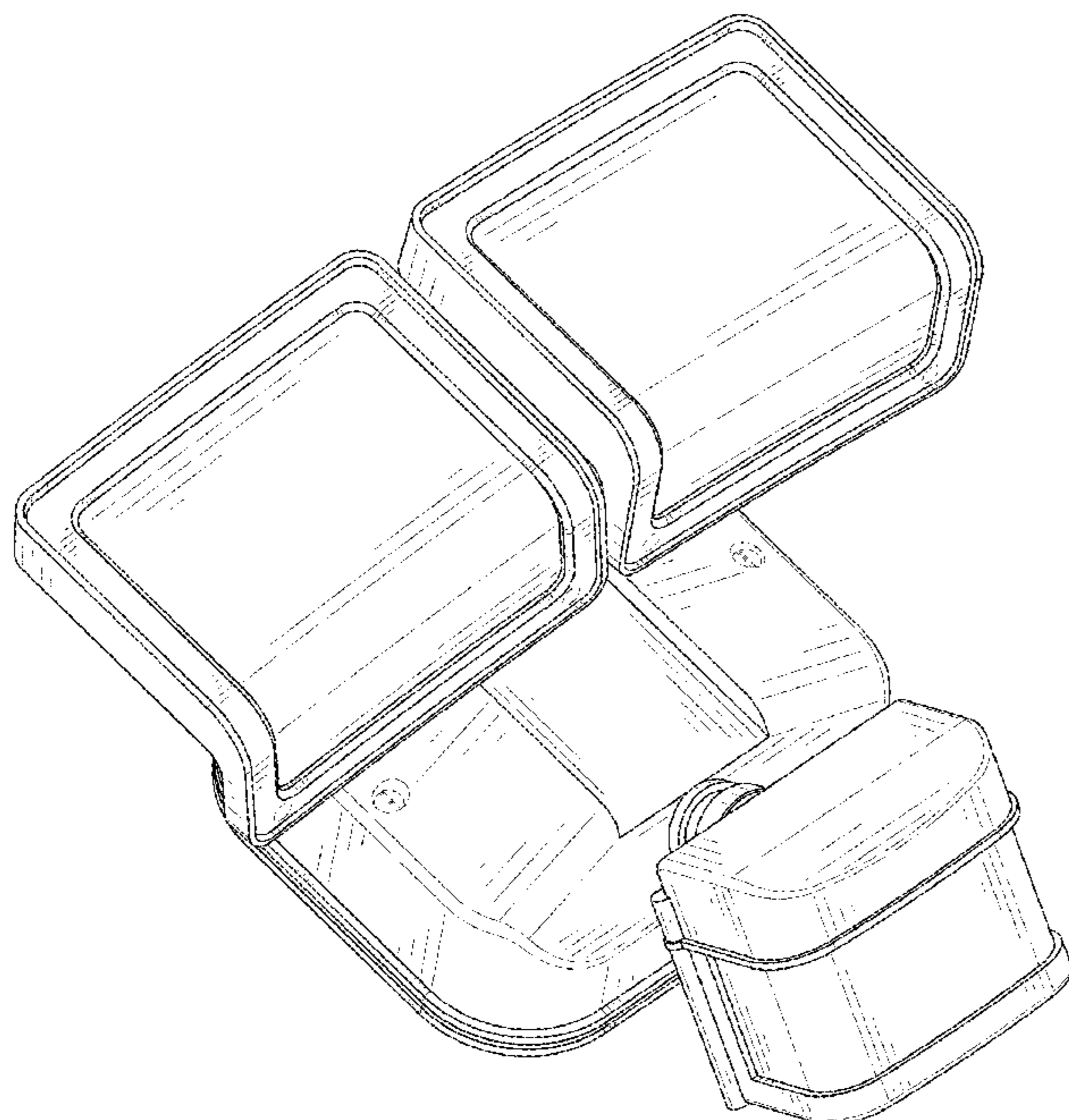




FIG. 1

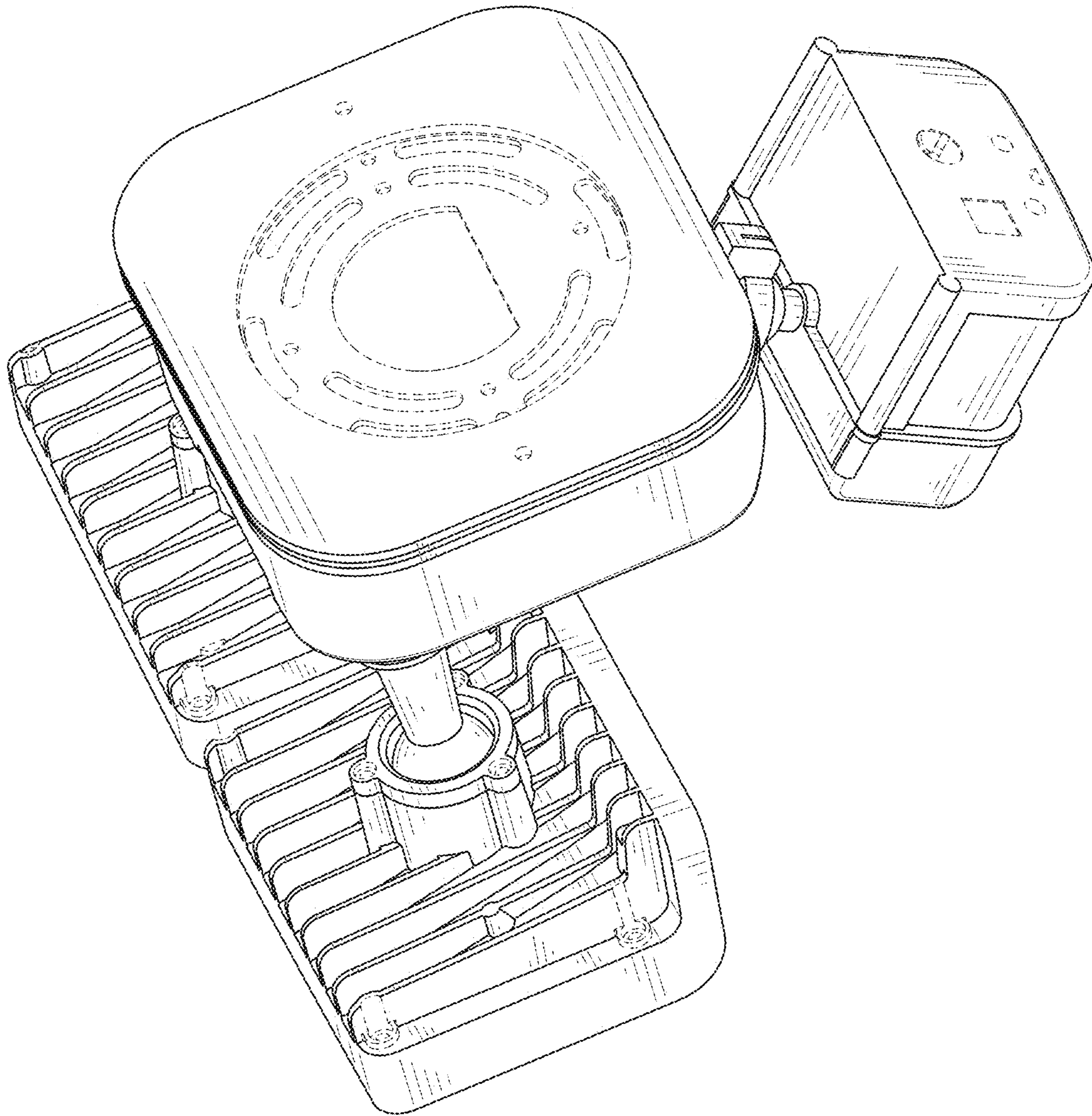


FIG. 2

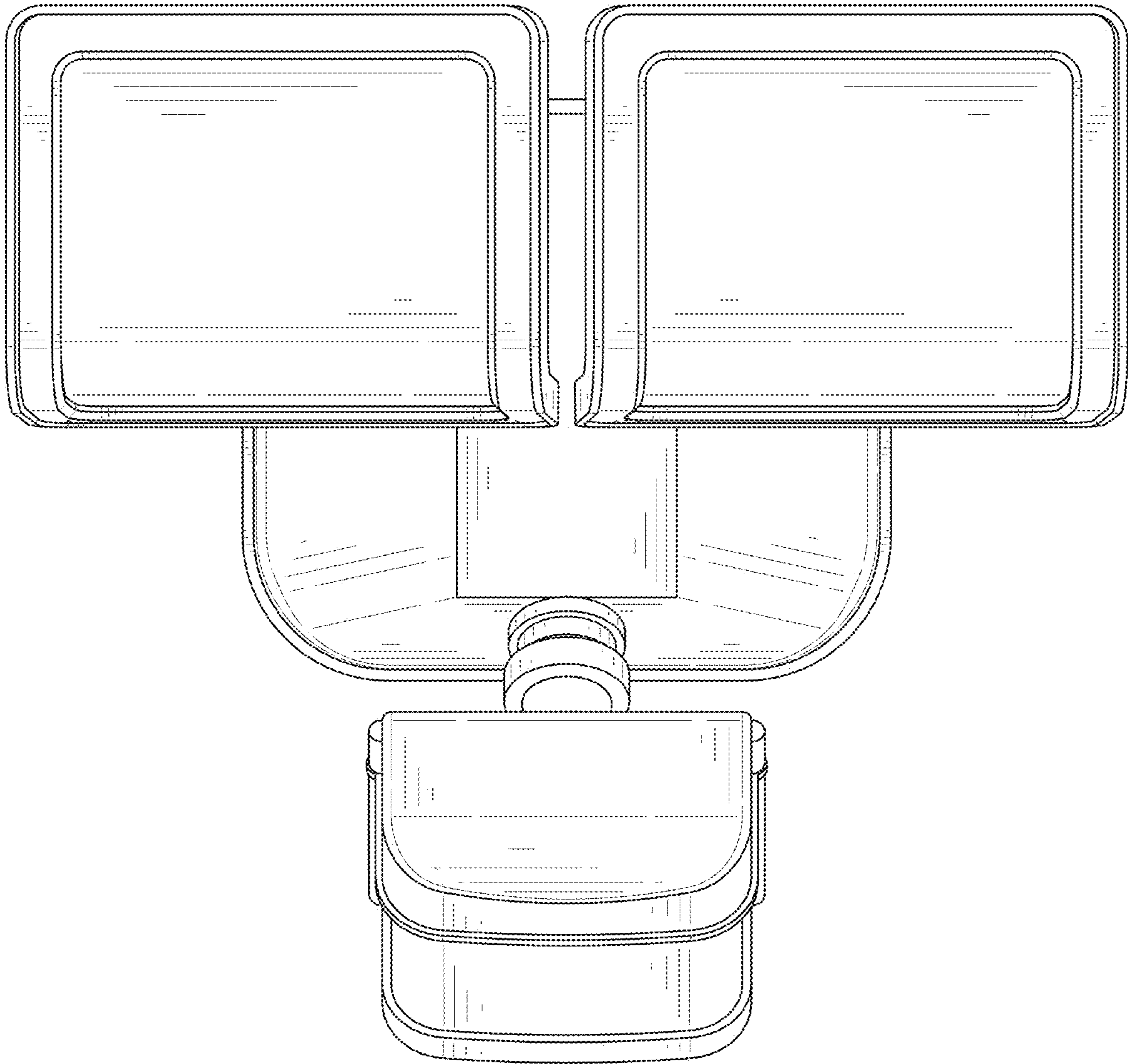


FIG. 3

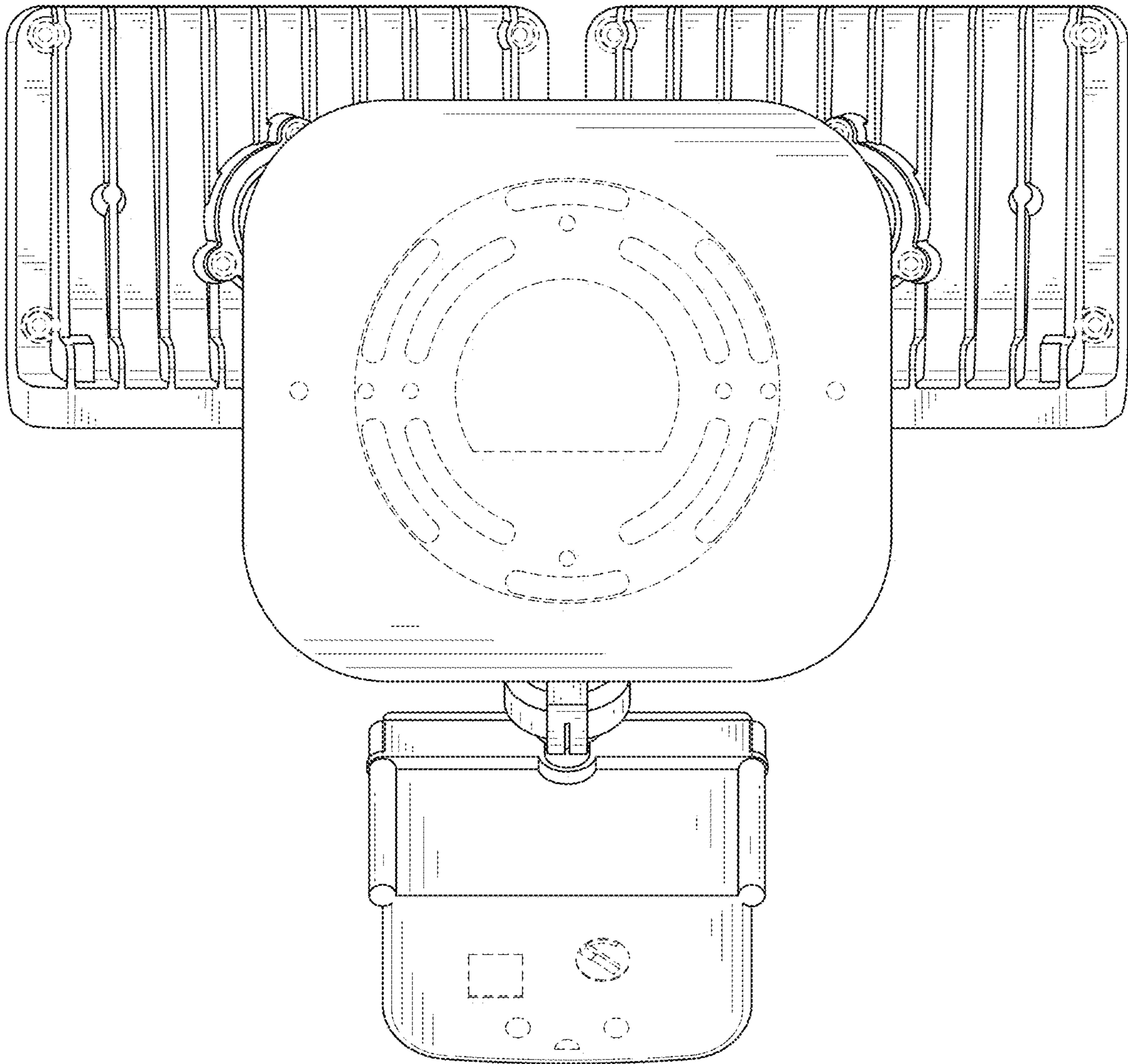


FIG. 4

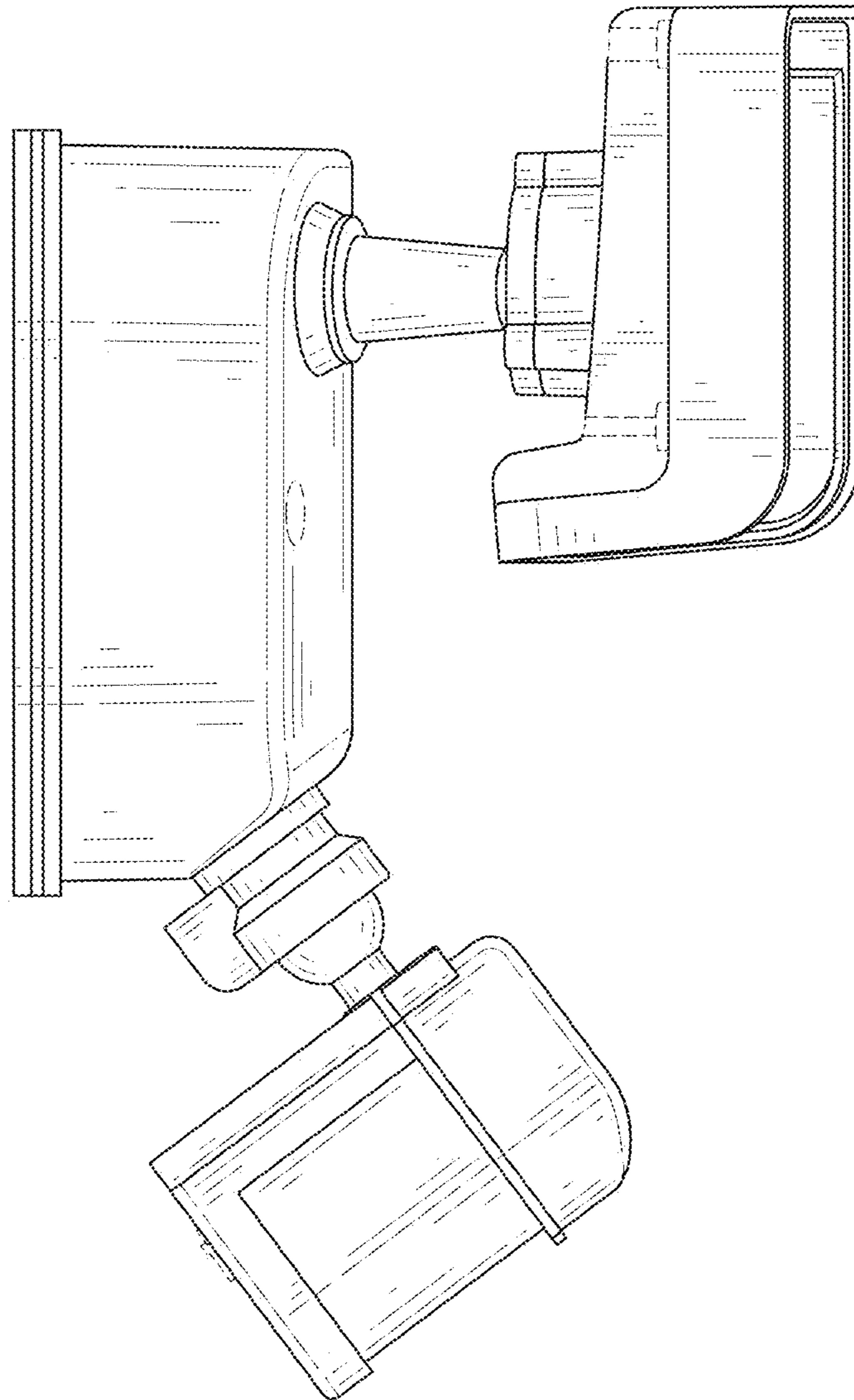


FIG. 5

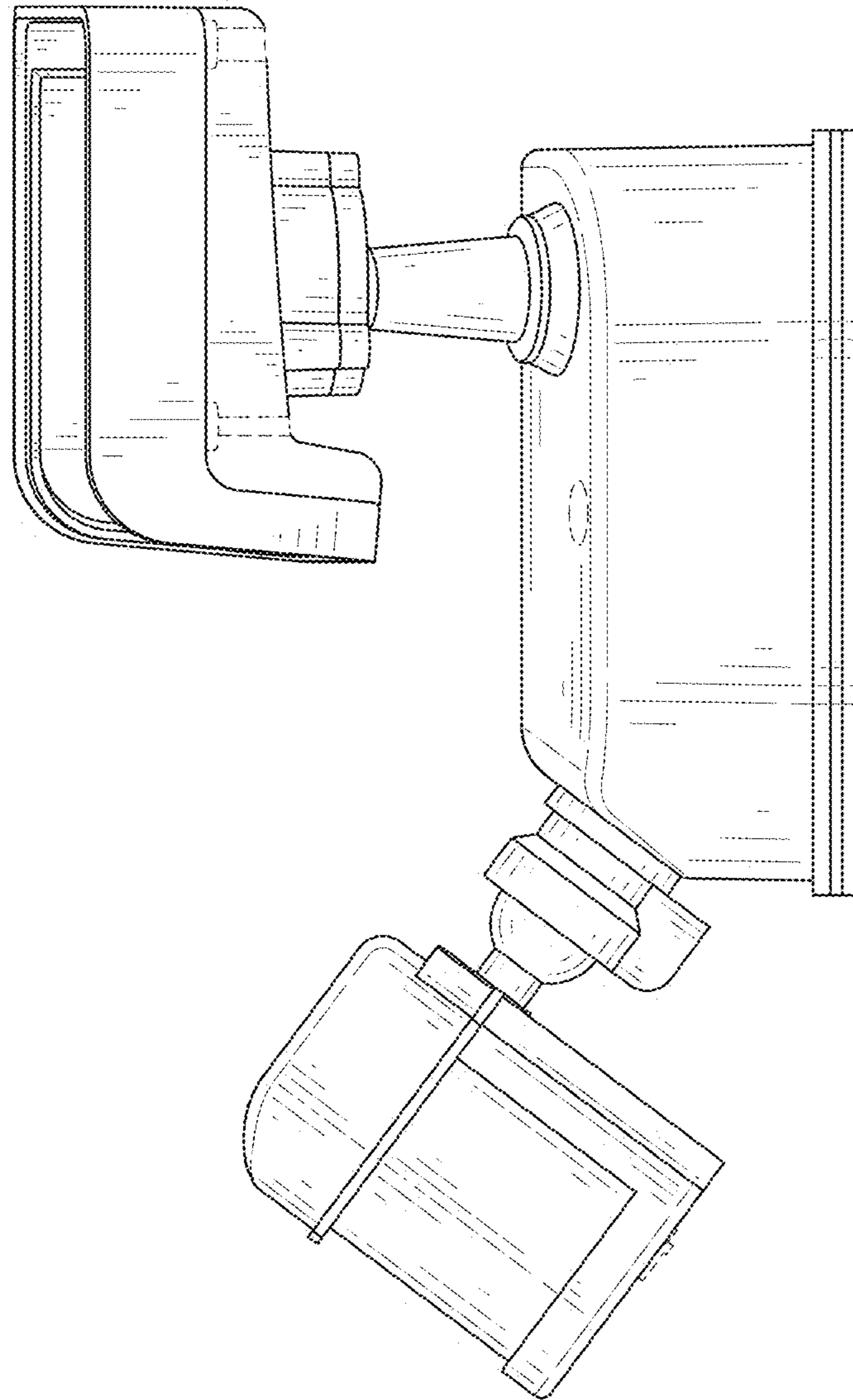


FIG. 6

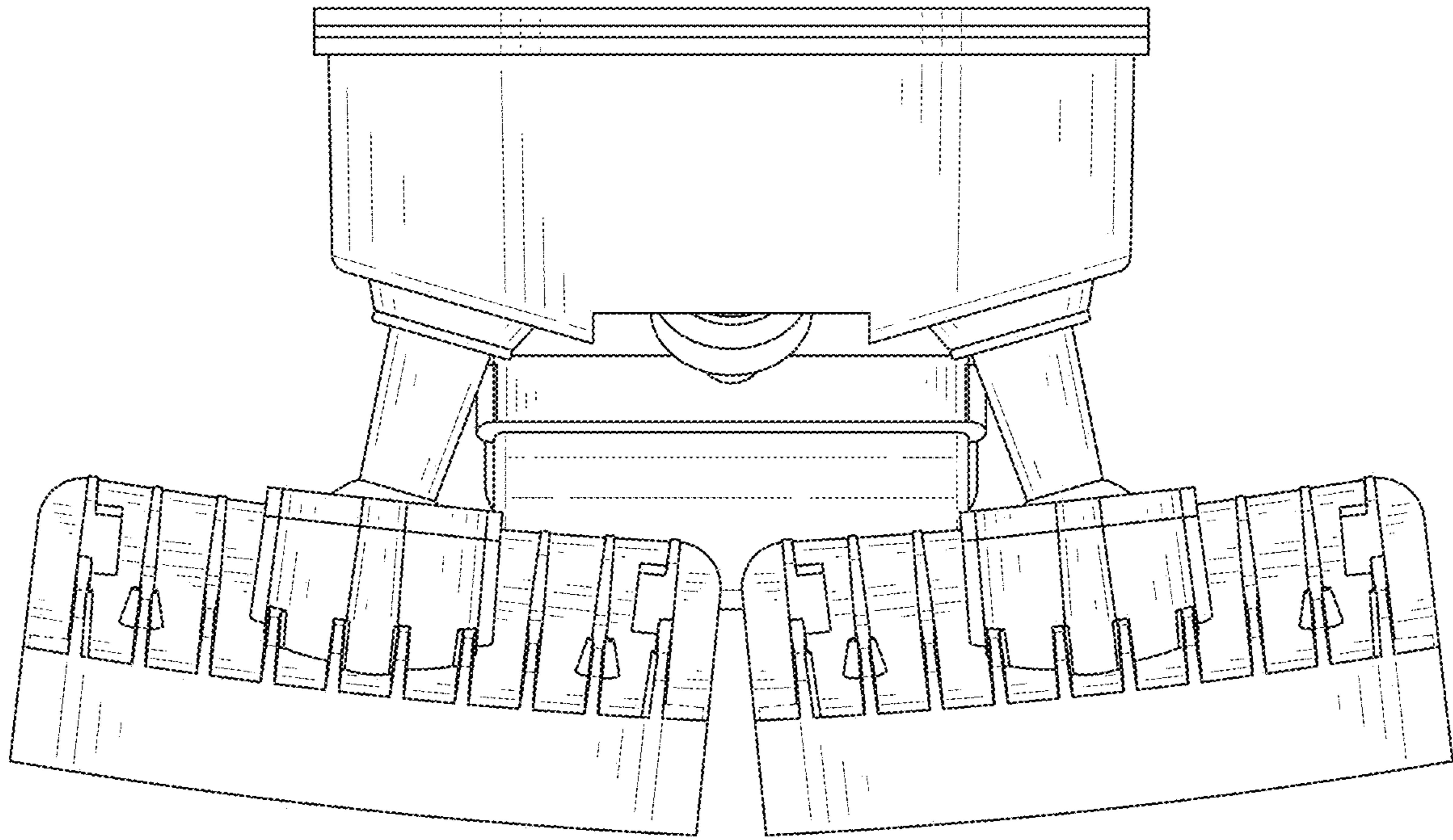


FIG. 7

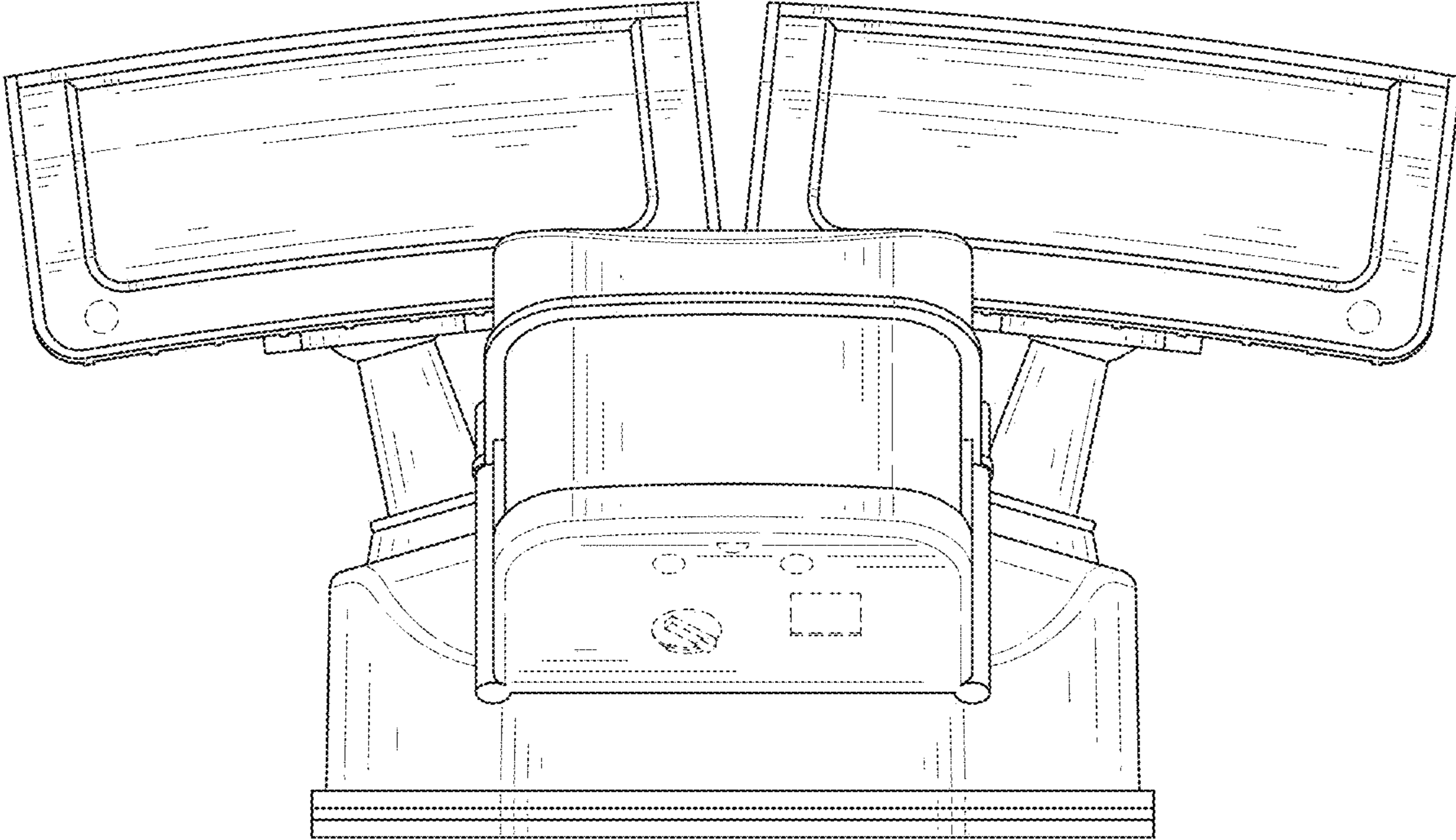


FIG. 8