



US00D875982S

(12) **United States Design Patent**
Liu

(10) **Patent No.:** **US D875,982 S**
(45) **Date of Patent:** **** Feb. 18, 2020**

(54) **GARDEN LAMP**

D791,993 S * 7/2017 Ferlauto D26/63
D841,210 S * 2/2019 Ye D26/63
D846,791 S * 4/2019 Liang D26/63

(71) Applicant: **Kexian Liu**, Hubei (CN)

* cited by examiner

(72) Inventor: **Kexian Liu**, Hubei (CN)

Primary Examiner — Brian N. Vinson

(**) Term: **15 Years**

(21) Appl. No.: **29/631,605**

(22) Filed: **Dec. 30, 2017**

(51) **LOC (12) Cl.** **26-03**

(52) **U.S. Cl.**

USPC **D26/63**

(58) **Field of Classification Search**

USPC D26/24, 60-71, 85, 92, 113, 118, 119

CPC F21V 21/14; F21V 15/01; F21V 14/02;

F21V 21/30; F21V 14/00; F21Y

2105/001; F21S 8/00

See application file for complete search history.

(56) **References Cited**

U.S. PATENT DOCUMENTS

D779,096 S * 2/2017 Xu D26/63

D779,098 S * 2/2017 Tsai D26/63

(57) **CLAIM**

I claim the ornamental design for a garden lamp, as shown and described.

DESCRIPTION

FIG. 1 is a perspective view of a garden lamp showing my new design;

FIG. 2 is a front elevational view thereof;

FIG. 3 is a rear elevational view thereof;

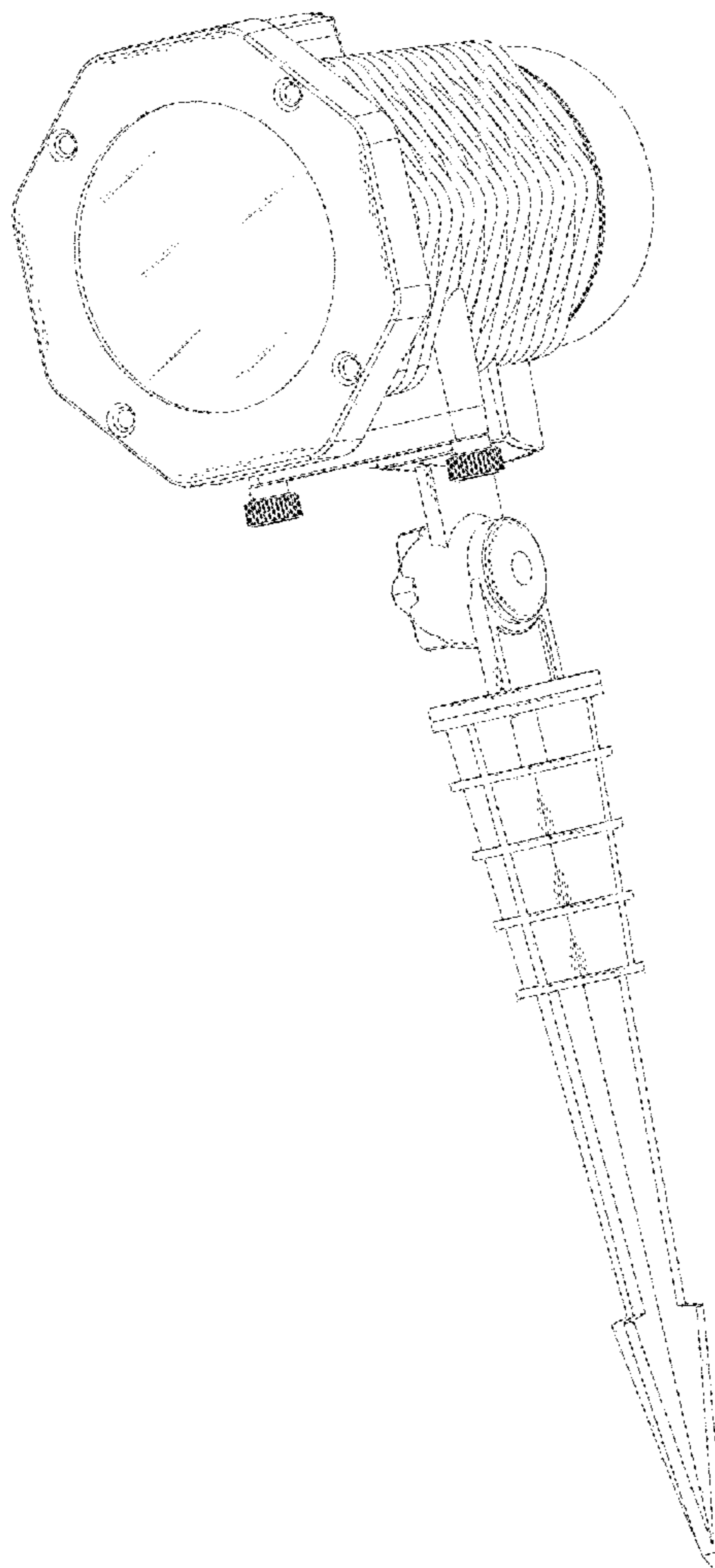
FIG. 4 is a left side elevational view thereof;

FIG. 5 is a right side elevational view thereof;

FIG. 6 is a top plan view thereof; and,

FIG. 7 is a bottom plan view thereof.

1 Claim, 7 Drawing Sheets



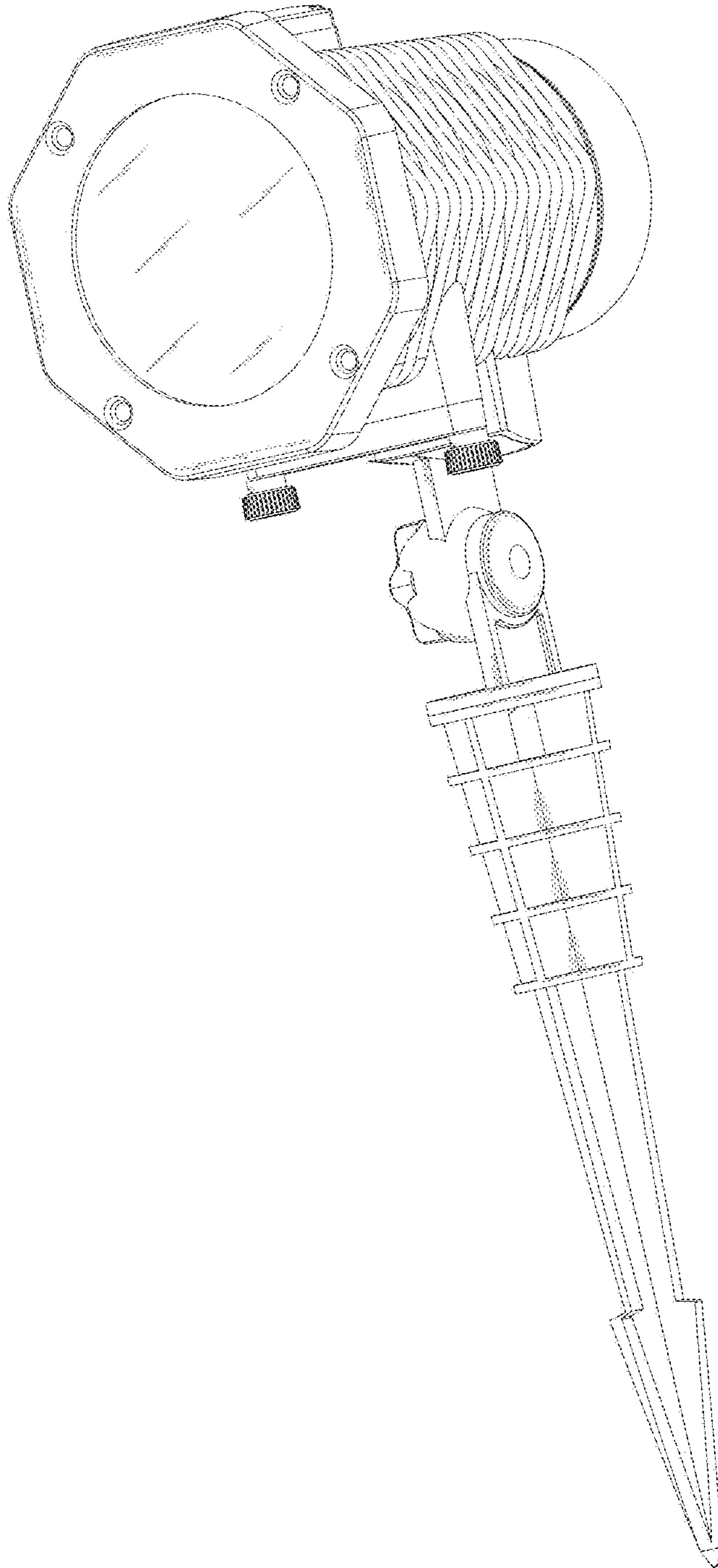


FIG.1

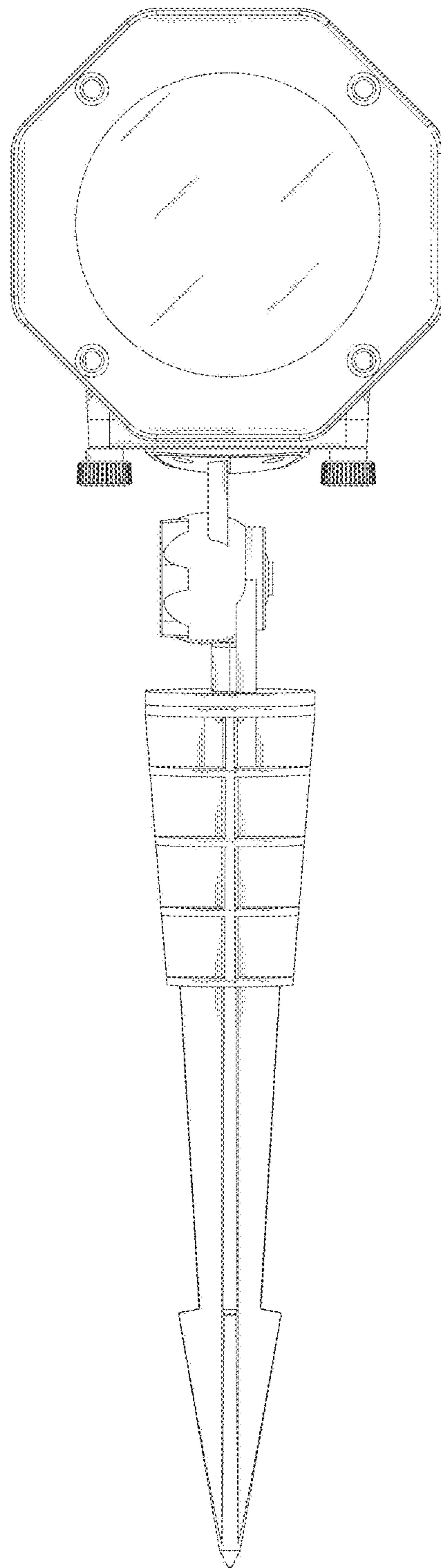


FIG.2

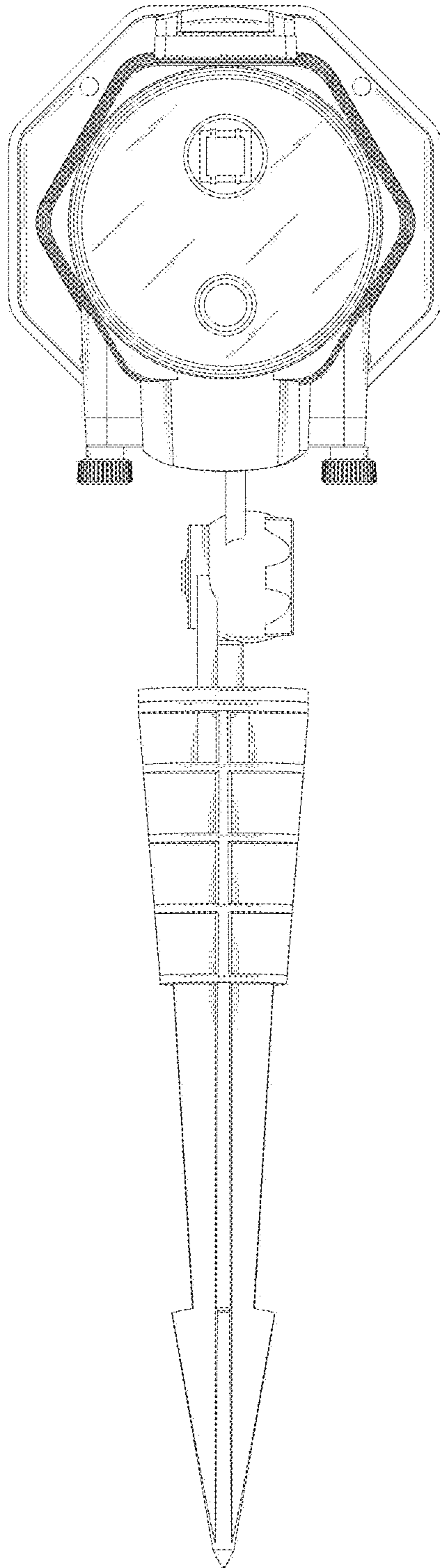


FIG.3

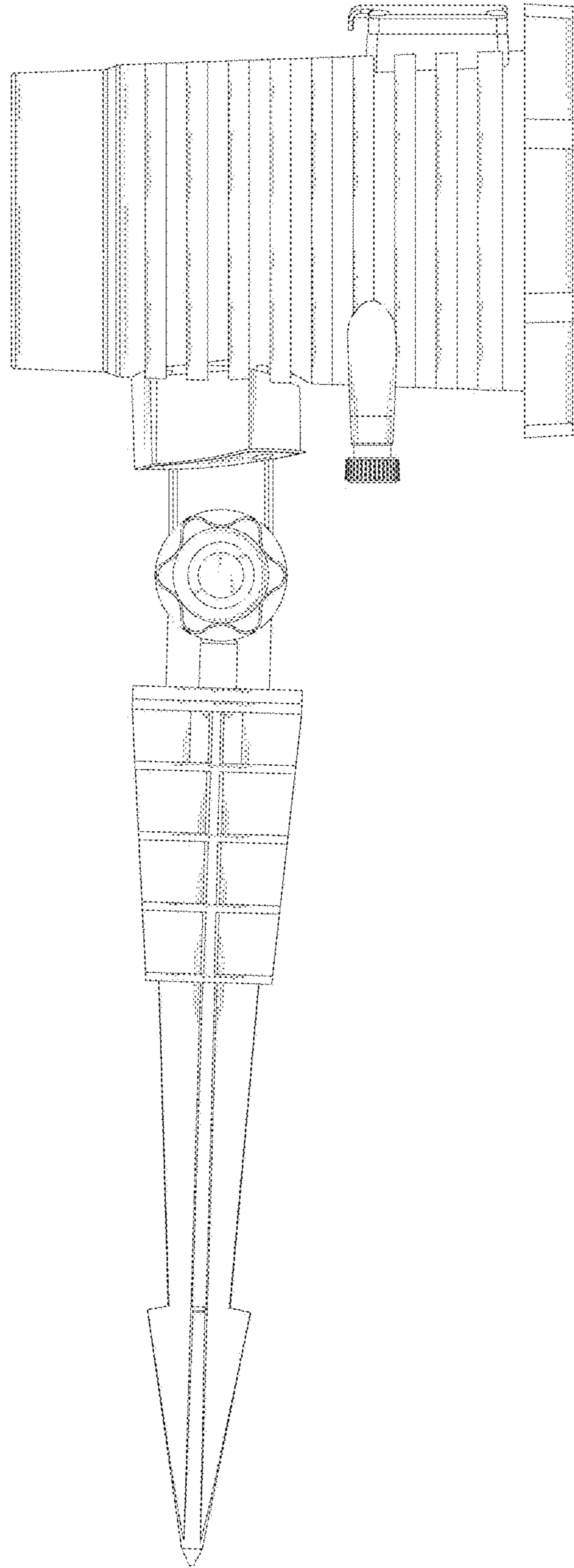


FIG.4

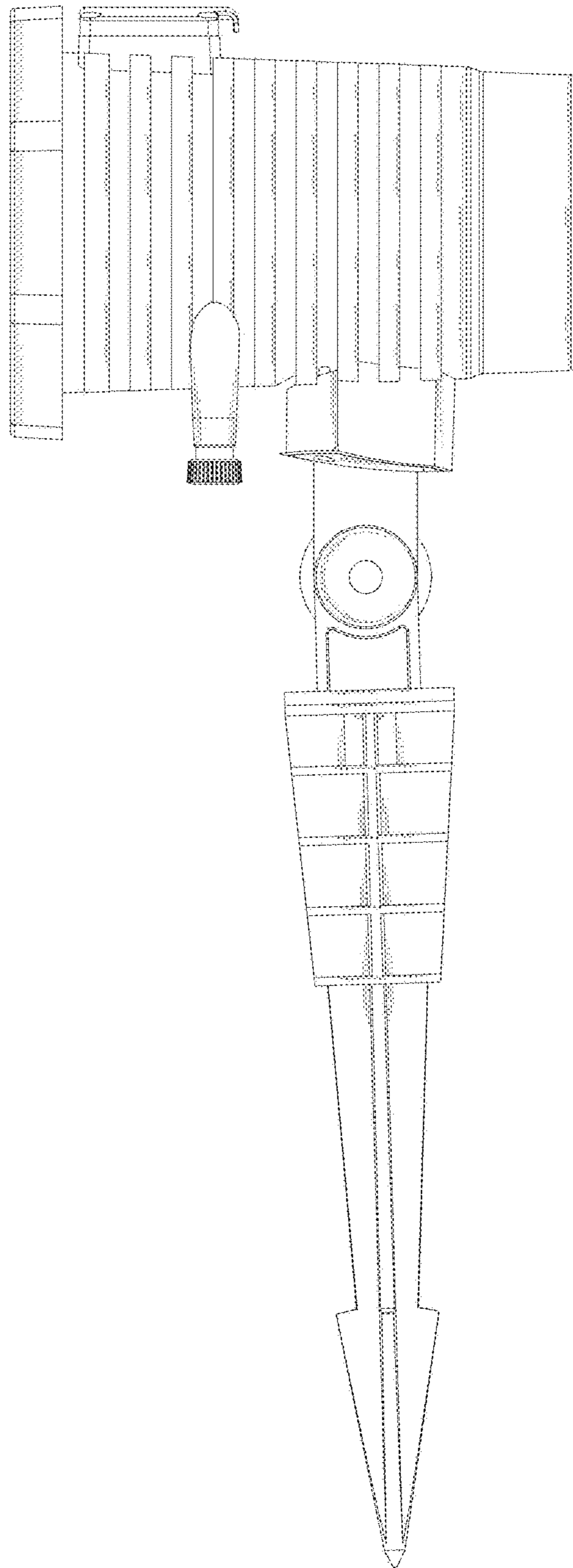


FIG.5

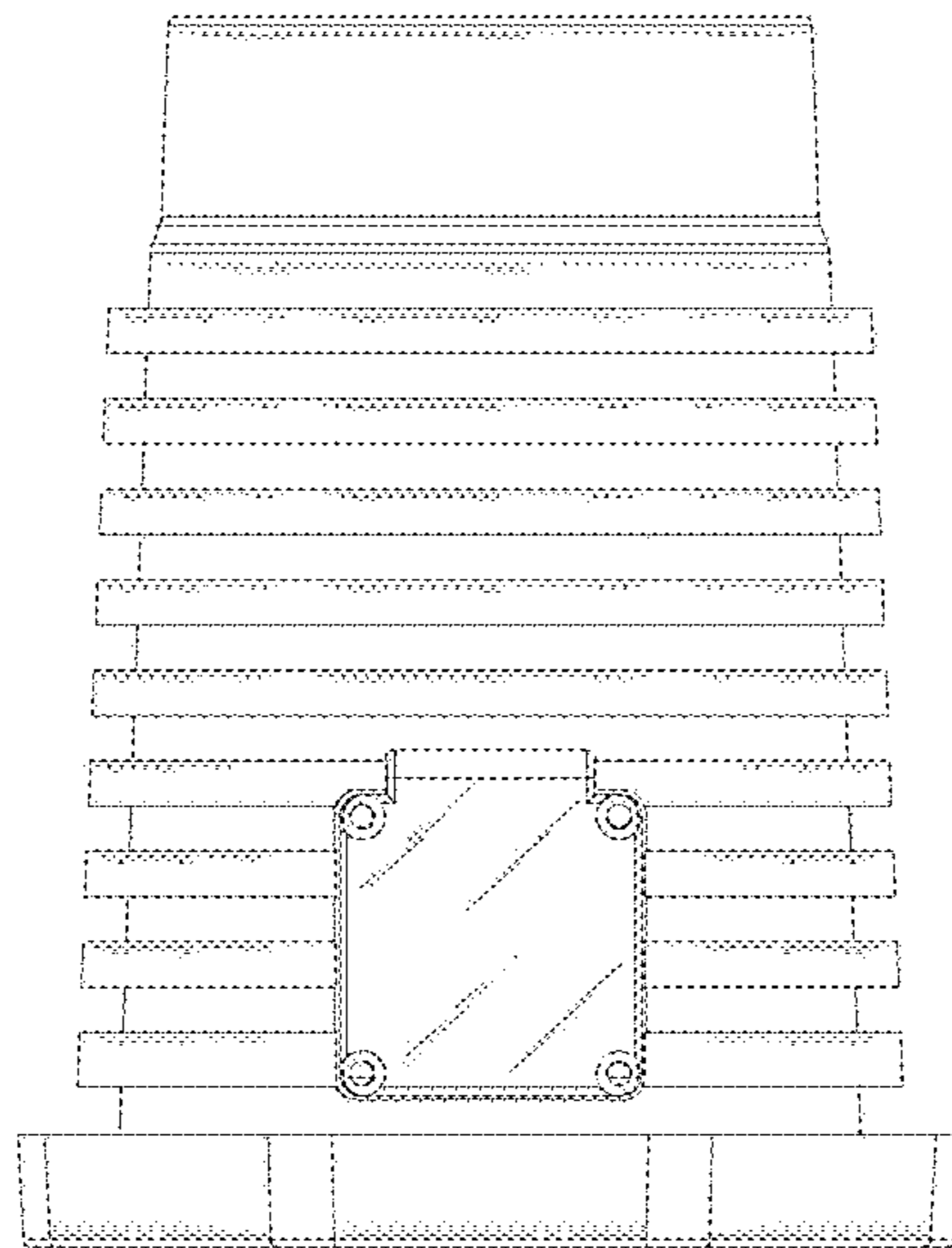


FIG.6

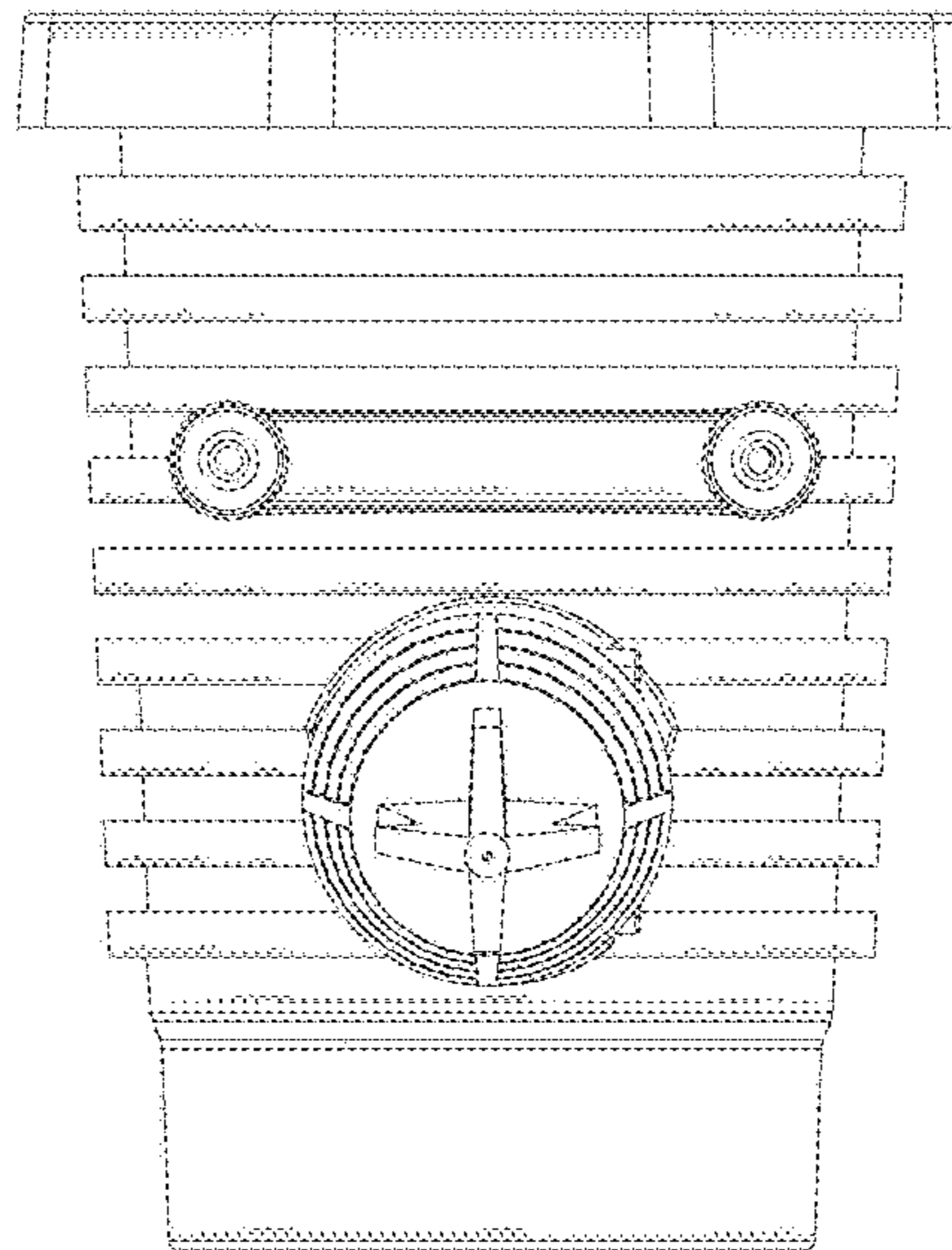


FIG.7