



US00D875980S

(12) **United States Design Patent** (10) **Patent No.:** **US D875,980 S**  
**O'Connell et al.** (45) **Date of Patent:** **\*\* Feb. 18, 2020**

(54) **CEILING FAN LIGHT KIT**

- (71) Applicant: **HUNTER FAN COMPANY**,  
Memphis, TN (US)
- (72) Inventors: **Patrick R. O'Connell**, Memphis, TN  
(US); **Claire Bernice McRoberts**,  
Memphis, TN (US)
- (73) Assignee: **Hunter Fan Company**, Memphis, TN  
(US)
- (\*\*) Term: **15 Years**
- (21) Appl. No.: **29/621,624**
- (22) Filed: **Oct. 10, 2017**

**Related U.S. Application Data**

- (62) Division of application No. 29/582,208, filed on Oct.  
26, 2016, now Pat. No. Des. 805,624.
- (51) **LOC (12) Cl.** ..... **26-05**
- (52) **U.S. Cl.**  
USPC ..... **D26/59; D26/83; D26/87; D26/118**
- (58) **Field of Classification Search**  
USPC ... D26/59, 24, 118, 119, 121-124, 128-137;  
D23/370, 377-382, 411-414  
CPC ..... F04D 25/088; F04D 29/38; F21V 21/03;  
B63H 1/16  
See application file for complete search history.

(56) **References Cited**

**U.S. PATENT DOCUMENTS**

821,309 A *	5/1906	Mygatt	.....	F21V 5/00 362/340
D54,103 S *	11/1919	Kopp	.....	D26/134
D101,823 S *	11/1936	Rolph	.....	D26/132
D112,511 S *	12/1938	Barnes	.....	D26/132
D174,318 S *	3/1955	Ensign	.....	D26/133
D218,846 S *	9/1970	Wolff	.....	D26/137
D270,563 S	9/1983	Phillips		

(Continued)

**OTHER PUBLICATIONS**

<http://www.kingoffans.com/#/products/ceilingFans>, Item Specifica-  
tion for King Of Fans Covington, accessed on Oct. 25, 2016.

(Continued)

*Primary Examiner* — Janice Hallmark  
(74) *Attorney, Agent, or Firm* — McGarry Bair PC

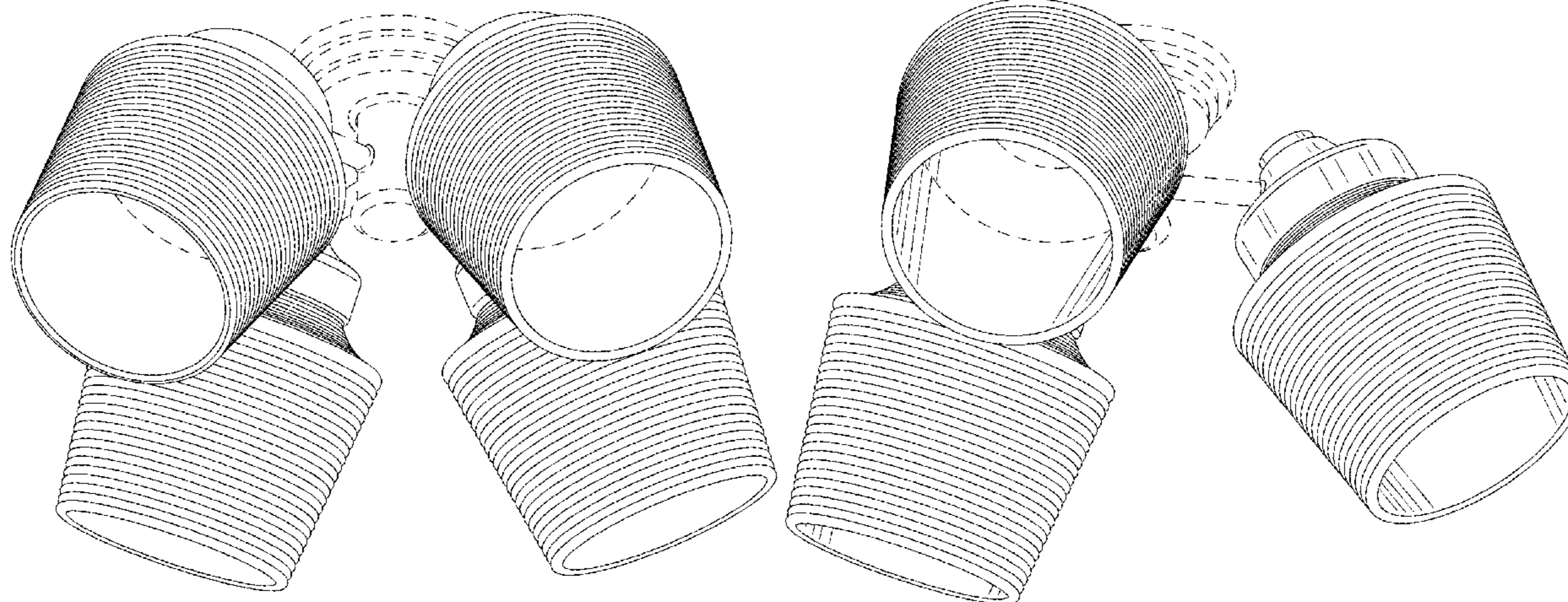
(57) **CLAIM**

The ornamental design for a ceiling fan light kit, as shown  
and described.

**DESCRIPTION**

FIG. 1 is a top perspective view of the first embodiment of  
a ceiling fan light kit showing our new design in the  
environment of a ceiling fan;  
FIG. 2 is a bottom perspective view thereof;  
FIG. 3 is a top view thereof;  
FIG. 4 is a bottom view thereof; and  
FIG. 5 is a front side view thereof, the right, rear, and left  
side views being identical;  
FIG. 6 is a top perspective view of the second embodiment  
of a ceiling fan light kit showing my new design in the  
environment of a ceiling fan;  
FIG. 7 is a bottom perspective view thereof;  
FIG. 8 is a top view thereof;  
FIG. 9 is a bottom view thereof; and  
FIG. 10 is a rear side view thereof;  
FIG. 11 is a front side view thereof;  
FIG. 12 is a right side view thereof; and,  
FIG. 13 is a left side view thereof.  
The broken lines showing a ceiling fan in FIG. 1 and FIG.  
6 illustrate environmental subject matter only and form no  
part of the claimed design. All other broken lines depict  
portions of the ceiling fan light kit that form no part of the  
claimed design.

**1 Claim, 13 Drawing Sheets**



(56)

References Cited

U.S. PATENT DOCUMENTS

D280,242 S \* 8/1985 Burket ..... D26/134  
 D285,720 S 9/1986 Markwardt  
 D339,204 S 9/1993 Hollbrook  
 D346,209 S 4/1994 Holbrook  
 D351,020 S 9/1994 Arnold  
 D369,405 S 4/1996 Holbrook  
 D383,528 S 9/1997 Collmar  
 D383,531 S 9/1997 Tsuji  
 D396,532 S 7/1998 Tsuji  
 D397,416 S 8/1998 Lee  
 D399,333 S 10/1998 Greene et al.  
 D428,982 S 8/2000 Oldenburg  
 D435,901 S 1/2001 Tsuji  
 D440,649 S 4/2001 Tsuji  
 6,367,942 B1 4/2002 Bauer  
 D462,756 S 9/2002 Liu  
 D479,872 S 9/2003 Young  
 D480,134 S 9/2003 Wilson  
 D481,117 S 10/2003 Tsuji  
 D482,436 S 11/2003 Young  
 D489,126 S 4/2004 Young  
 D503,819 S \* 4/2005 Pickett ..... D26/118  
 D506,822 S 6/2005 Young  
 D513,199 S 12/2005 Costa et al.  
 D517,231 S 3/2006 Pickett  
 D520,633 S 5/2006 Tai  
 D525,696 S 7/2006 Ertze  
 D529,163 S 9/2006 Young  
 D529,602 S 10/2006 Glasbrenner  
 D531,338 S 10/2006 Chen  
 D533,955 S \* 12/2006 Pan ..... D26/59  
 D541,930 S 5/2007 Pickett  
 D547,476 S 7/2007 Ertze  
 D550,832 S 9/2007 Ertze  
 D550,890 S \* 9/2007 Wang ..... D26/59  
 D552,228 S 10/2007 Ertze  
 D553,239 S 10/2007 Wang  
 D555,270 S 11/2007 Ertze  
 D555,779 S 11/2007 Bucher  
 D567,361 S 4/2008 Curtin  
 D567,421 S \* 4/2008 Pan ..... D26/59  
 D581,040 S 11/2008 Pickett  
 D581,509 S 11/2008 Marshall  
 D583,923 S 12/2008 Bucher et al.  
 D595,544 S 7/2009 Thun  
 D599,468 S 9/2009 Yang  
 D627,454 S 11/2010 Pan  
 D627,456 S 11/2010 Glasbrenner  
 D633,611 S 3/2011 Pan  
 D669,210 S \* 10/2012 Guercio ..... D26/136  
 D698,991 S \* 2/2014 Tregilgas ..... D26/136  
 D700,984 S 3/2014 Yang  
 D706,482 S \* 6/2014 Pan ..... D26/136

D708,314 S 7/2014 Pan  
 D805,626 S \* 12/2017 Hagggar ..... D23/377

OTHER PUBLICATIONS

<http://www.kingoffans.com/#/products/ceilingFans>, Item Specification for King of Fans Carlisle, accessed on Oct. 25, 2016.  
<http://ceilingfans.emerson.com/shop/en/fan/fans-s-emerson-fans/fans-s-indoor-outdoor/42-summer-night-fan-p-cf742pf>, Item Specification for Emerson 42in Summer Night Ceiling Fan Model CF742PFORB, accessed on Oct. 25, 2016.  
<http://kingoffans.com/#/products/ceilingFans>, Item Specification for King of Fans Riverwalk, accessed on Oct. 25, 2016.  
<http://ceilingfans.emerson.com/shop/en/fan/fans-s-emerson-fans/fans-s-pro-series/42-pro-series-ii-fan-p-cf710>, Item Specification for Emerson 42in Pro Series II CF710BS Ceiling Fan, accessed on Oct. 25, 2016.  
<http://www.fanimation.com/products/index.php/fans/aire-decor-bp215.html>, Item Specification for Fanimation Aire Decor BP215 Ceiling Fan, accessed on Oct. 25, 2016.  
<http://www.kichler.com/products/product/52-inch-kichler-basics-premier-ceiling-fan-ni7-402.aspx>, Item Specification for Kichler Basics 52in Premier Collection Ceiling Fan Model 402N17, accessed on Oct. 25, 2016.  
<http://www.montecarlofans.com/32819/52-HomeBuilder-III---Bronze-BF3-BZ.html>, Item Specification for Monte Carlo 52in Homebuilder III Collection, Bronze Model BF3-BZ, accessed on Oct. 25, 2016.  
<http://www.fanimation.com/products/index.php/fans/aire-decor-bp230.html>, Item Specification for Fanimation Aire Decor BP230 Ceiling Fan, accessed on Oct. 25, 2016.  
<http://www.homedepot.com/p/Hunter-Orchard-Park-52-in-Indoor-Outdoor-Distressed-White-Ceiling-Fan-54068/206279065>, Item Specification for 52in Hunter Fan Orchard Park Model 54068, accessed on Oct. 25, 2016.  
<http://www.craftmade.com/Ellington-Fans-ECK756ABZ-Aged-Bronze-Brushed-Ceiling-Fan-Light-Kit.HTM>, Item Specification for Craftmade ECK756ABZ Ellington Ceiling Fan, accessed on Oct. 25, 2016.  
<http://www.craftmade.com/Craftmade-LW52W-White-Outdoor-Ceiling-Fan.HTM>, Item Specification for Craftmade LW52W Lee-ward Ceiling Fan, accessed on Oct. 25, 2016.  
<http://www.quoruminternational.com/index.cfm/app/productDetail?product=43306-6>, Item Specification for Quorum International 43306-6 Ceiling Fan, accessed on Oct. 25, 2016.  
<http://www.quoruminternational.com/index.cfm/app/productDetail?product=79525-6522>, Item Specification for Quorum International 79525-6522 Ceiling Fan, accessed on Oct. 25, 2016.  
<http://www.kichler.com/products/product/52-inch-sutter-place-premier-fan-obb-339400obb.aspx>, Item Specification for Kichler Sutter Place Premier Collection 52in Model 3394000BB, accessed on Oct. 25, 2016.  
<http://www.kichler.com/products/product/52-inch-lyndon-fan-oz-300120oz.aspx>, Item Specification for Kichler 52in Lydon Fan Model 3001200Z, accessed on Oct. 25, 2016.  
<http://www.craftmade.com/Craftmade-B556C-T5-Wood-Ceiling-Fan-Blades.HTM>, Item Specification for Craftmade B555C-T5 Wood Ceiling Fan Blade, accessed on Oct. 25, 2016.  
<http://www.fanimation.com/products/index.php/blades/21-brewmaster-reversible-wood-blade-set.html>, Item Specification for Fanimation 21in Brewmaster Reversible Wood Blade, accessed on Oct. 25, 2016.

\* cited by examiner

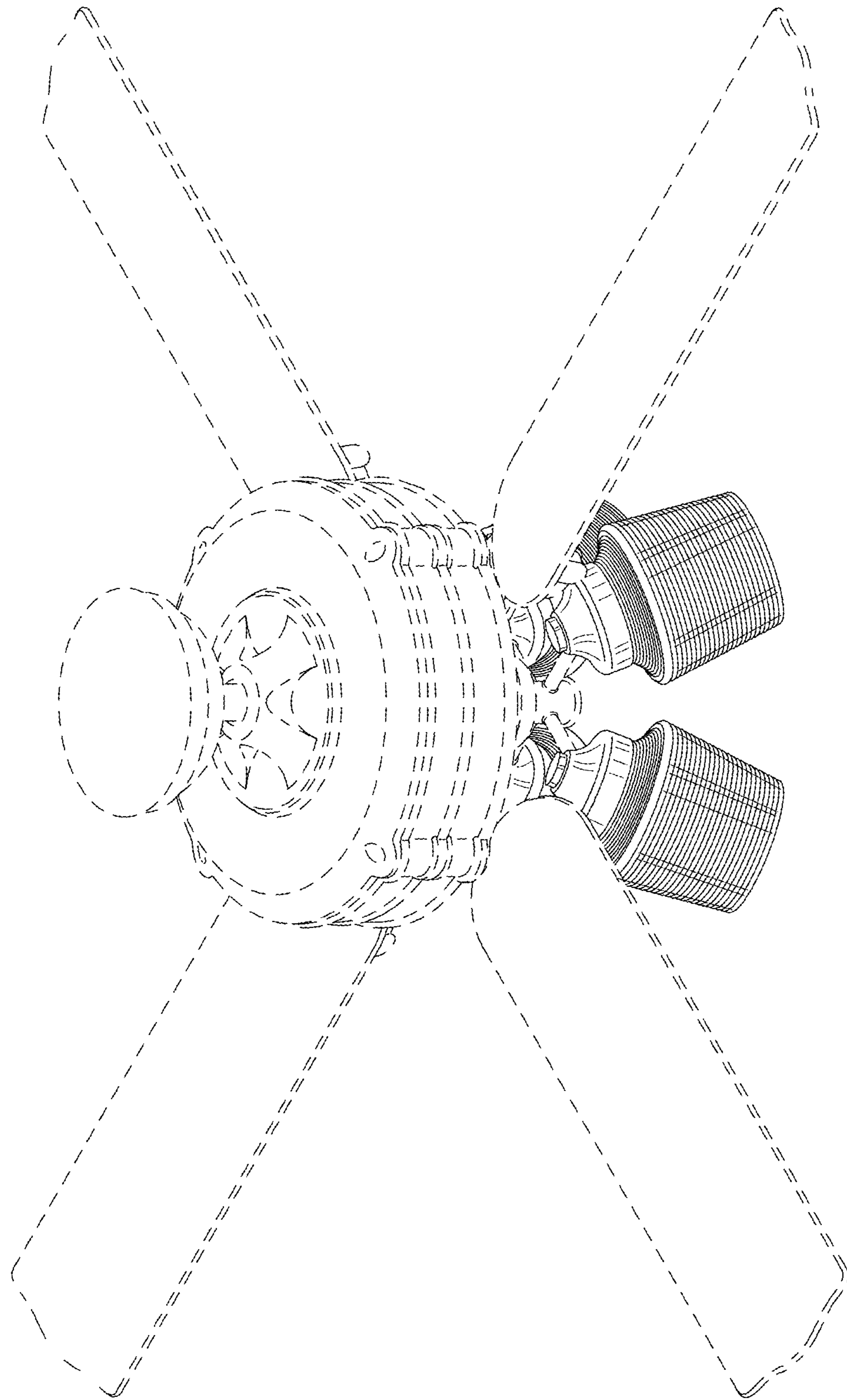


FIG. 1

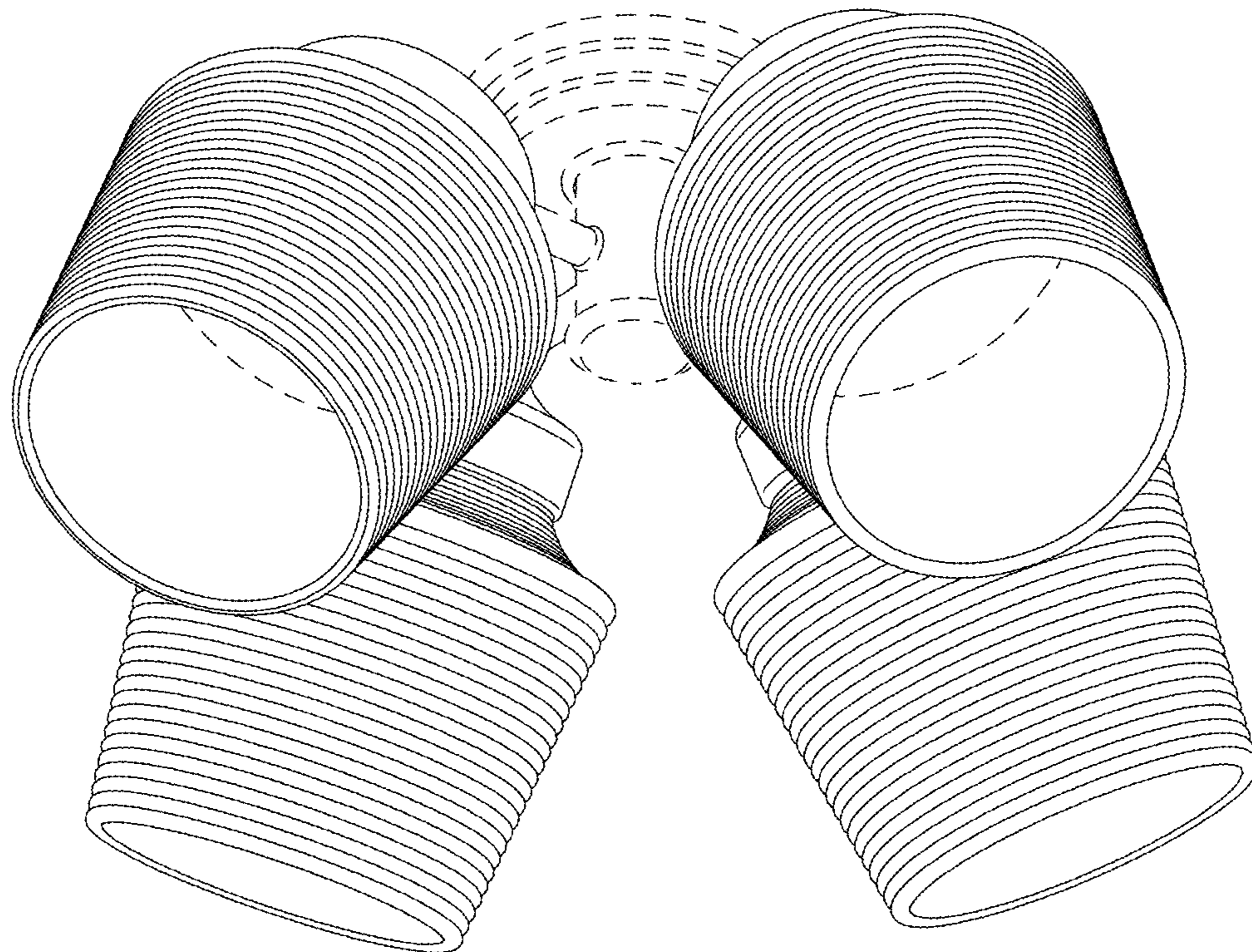


FIG.2

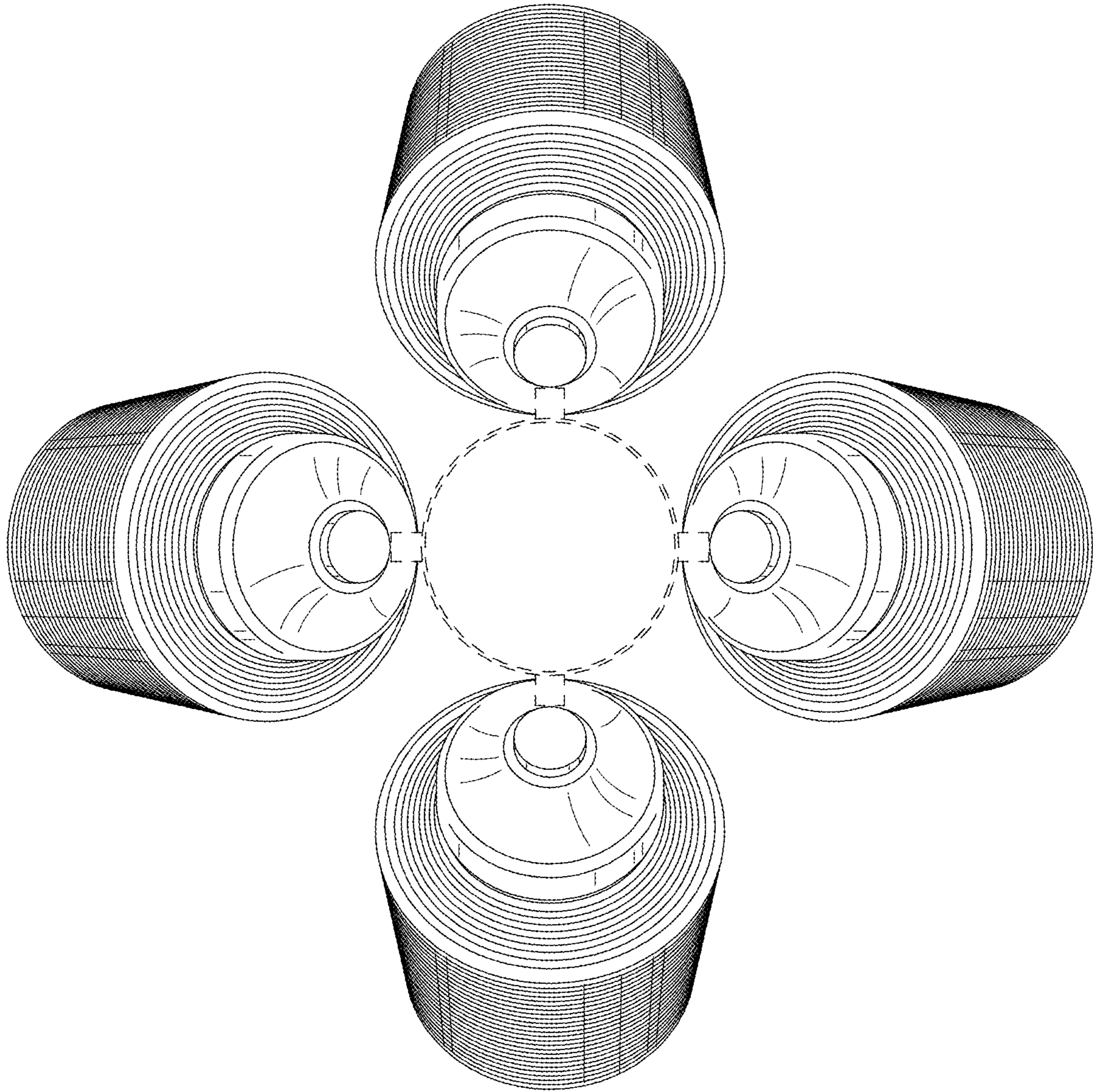


FIG.3

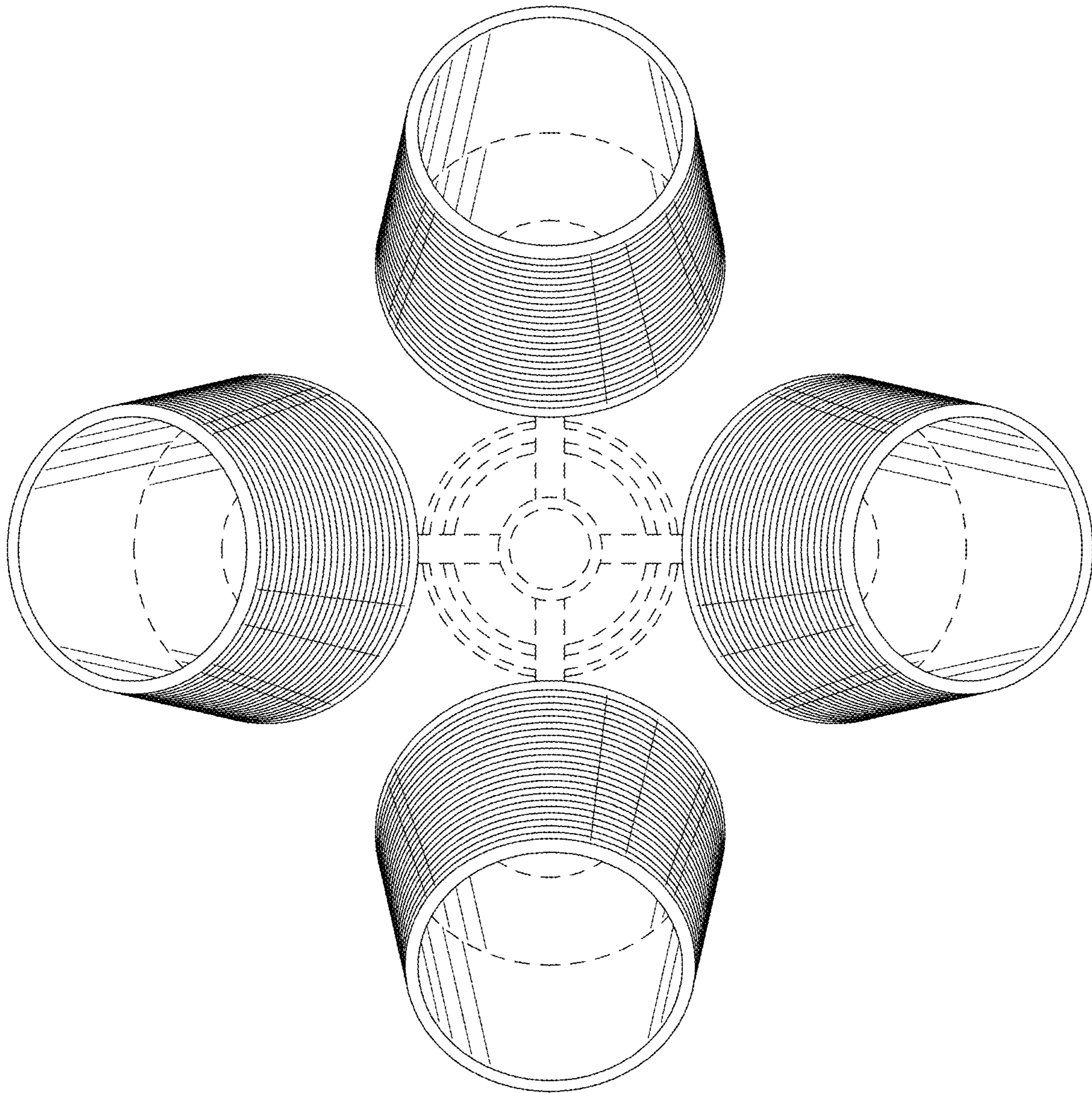


FIG. 4

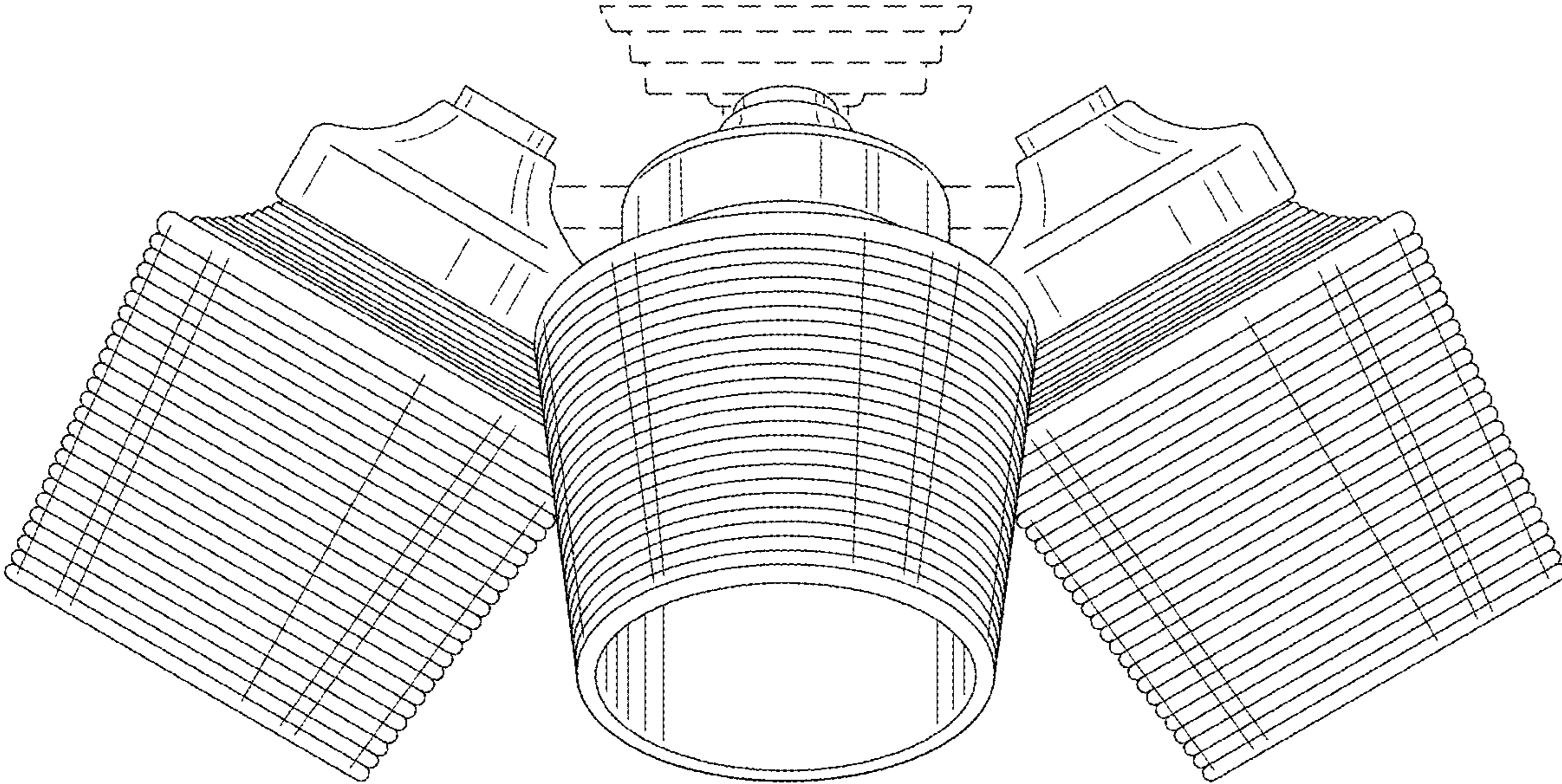


FIG.5

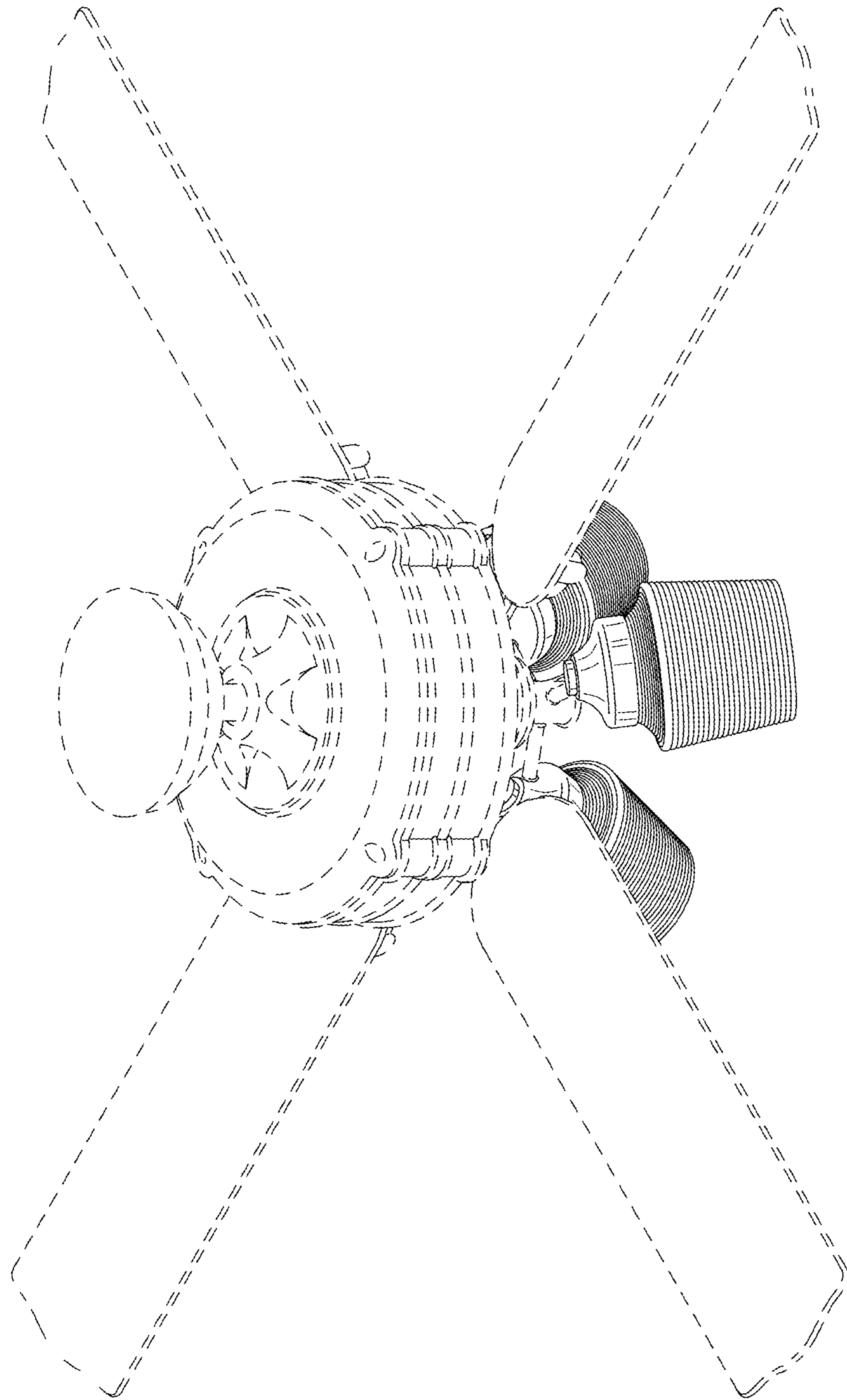


FIG.6



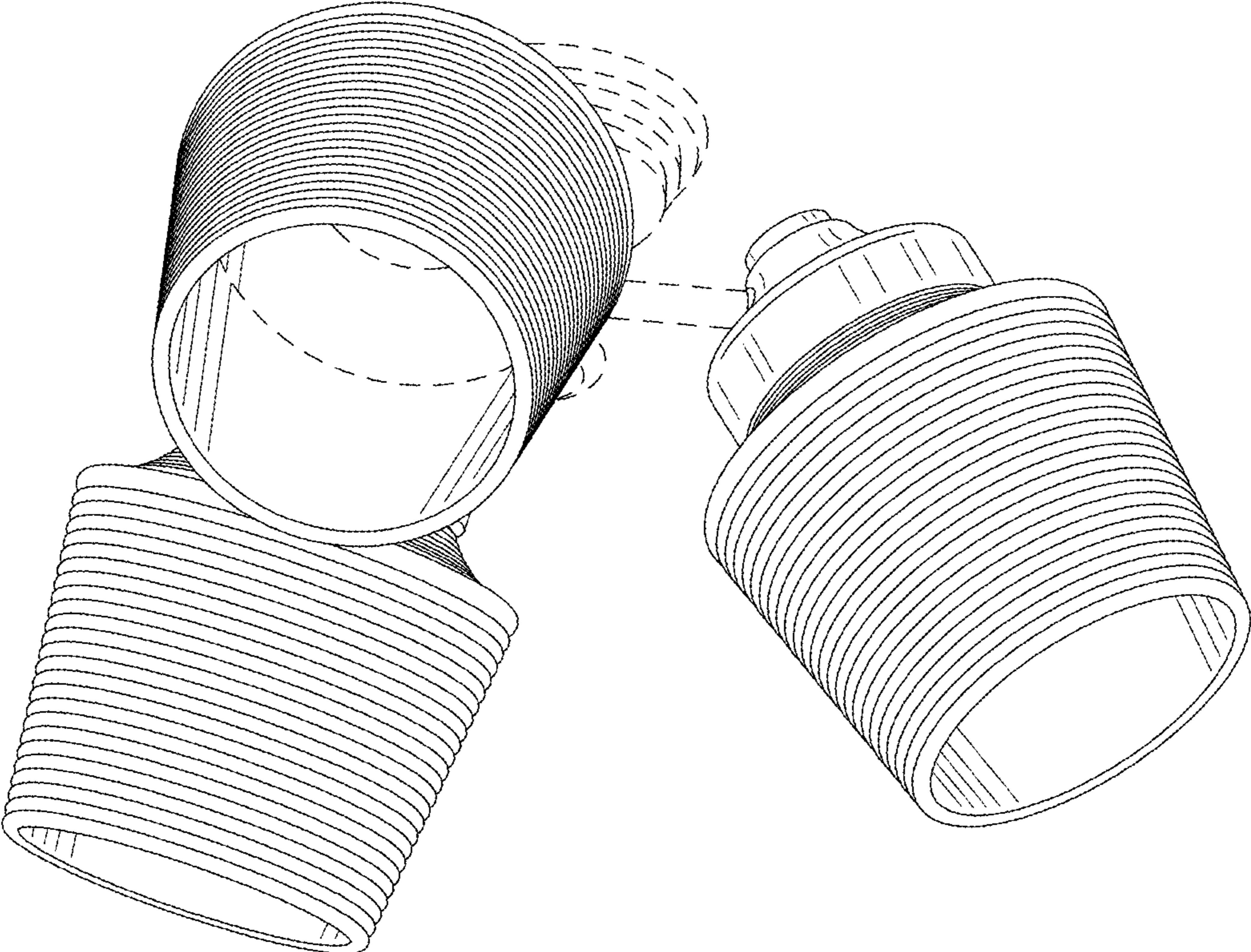


FIG. 7

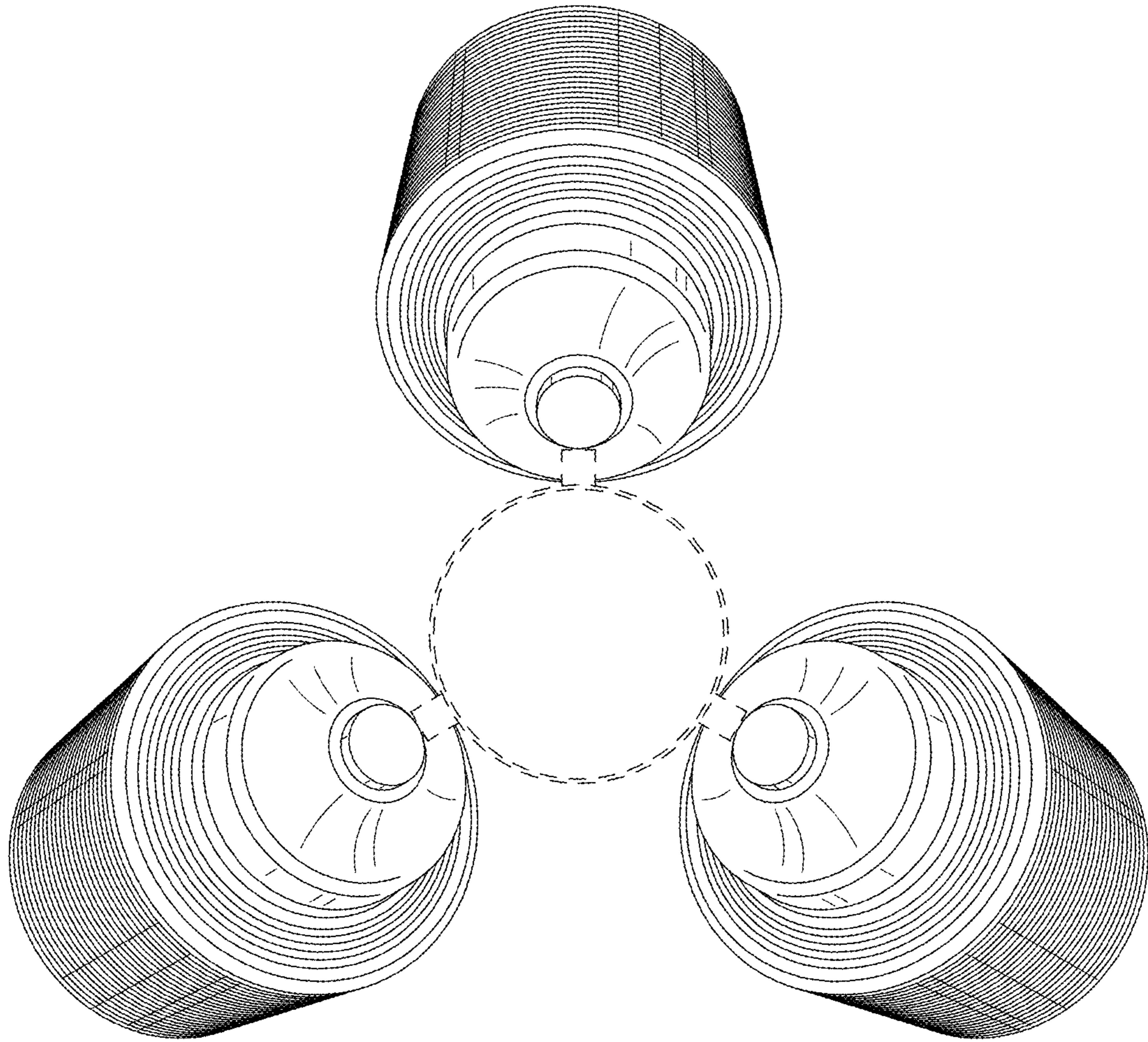


FIG.8

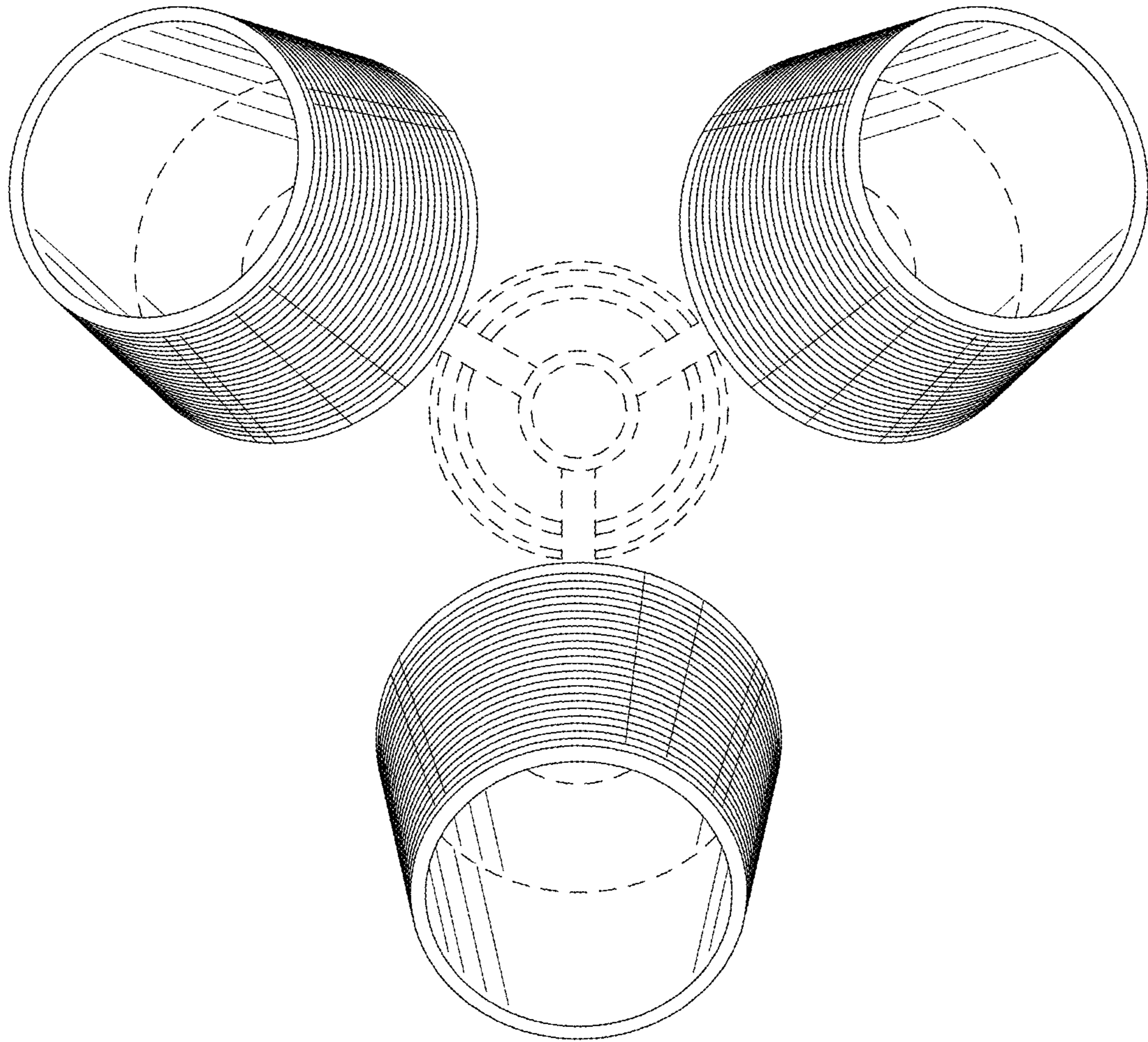


FIG.9

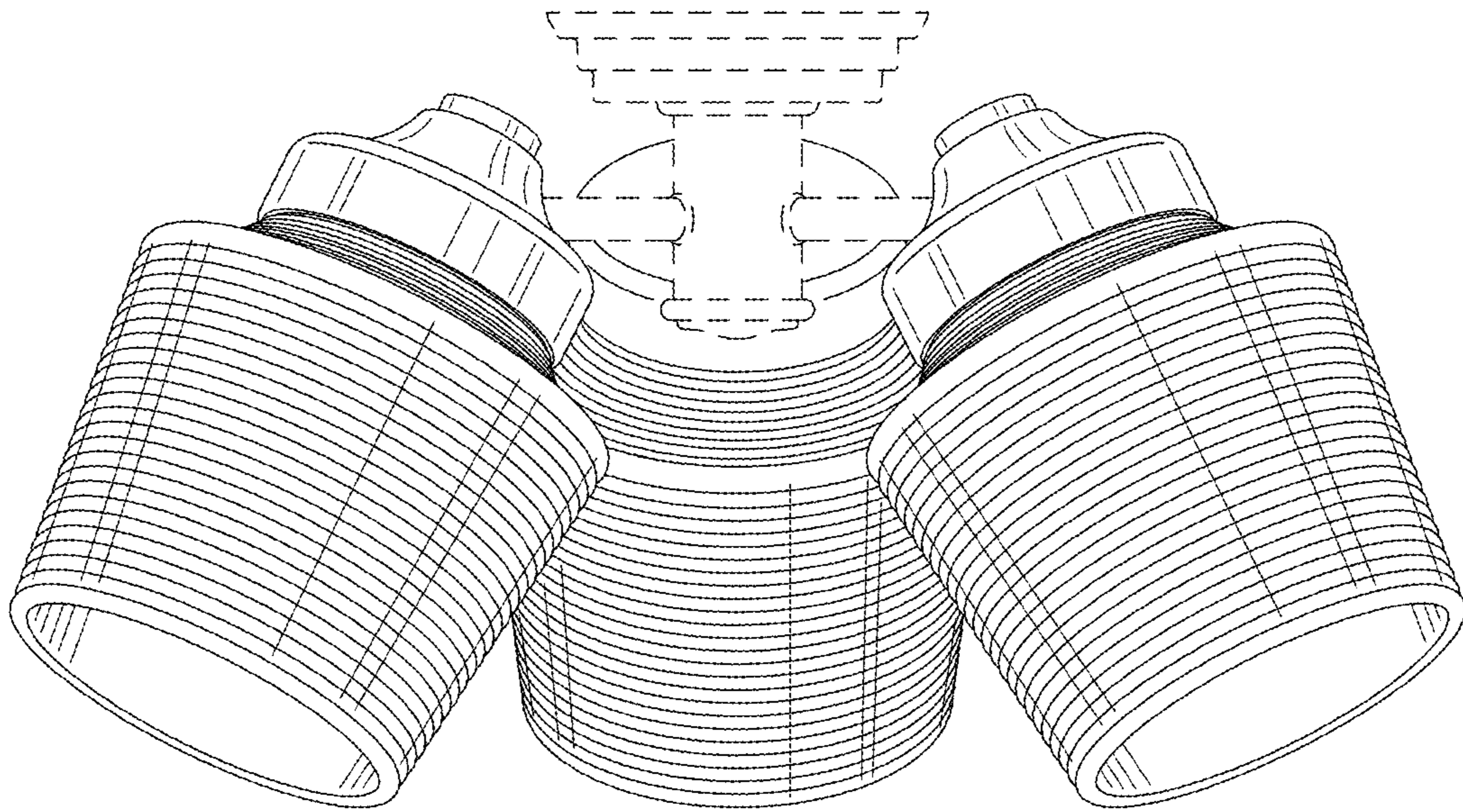


FIG. 10

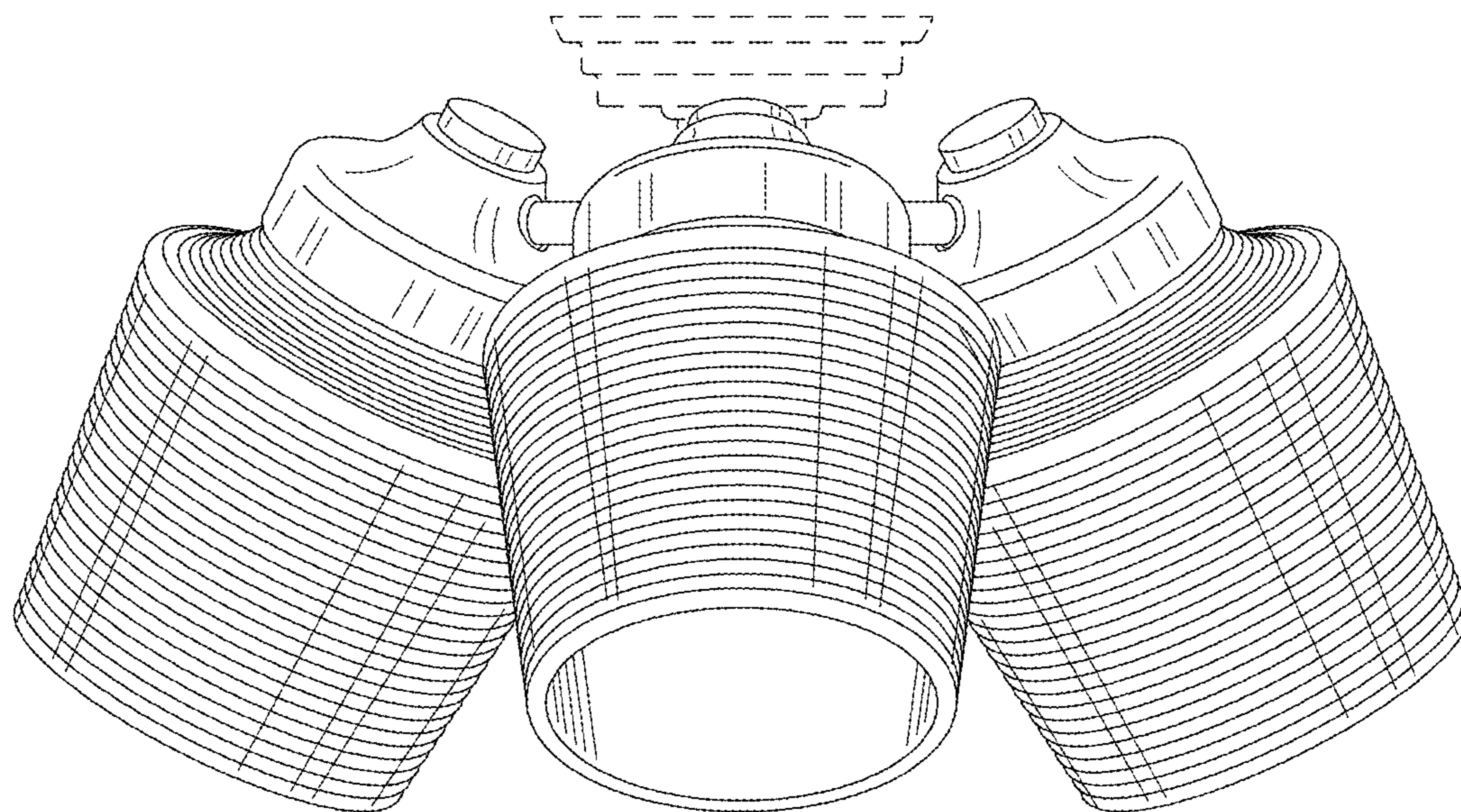


FIG. 11

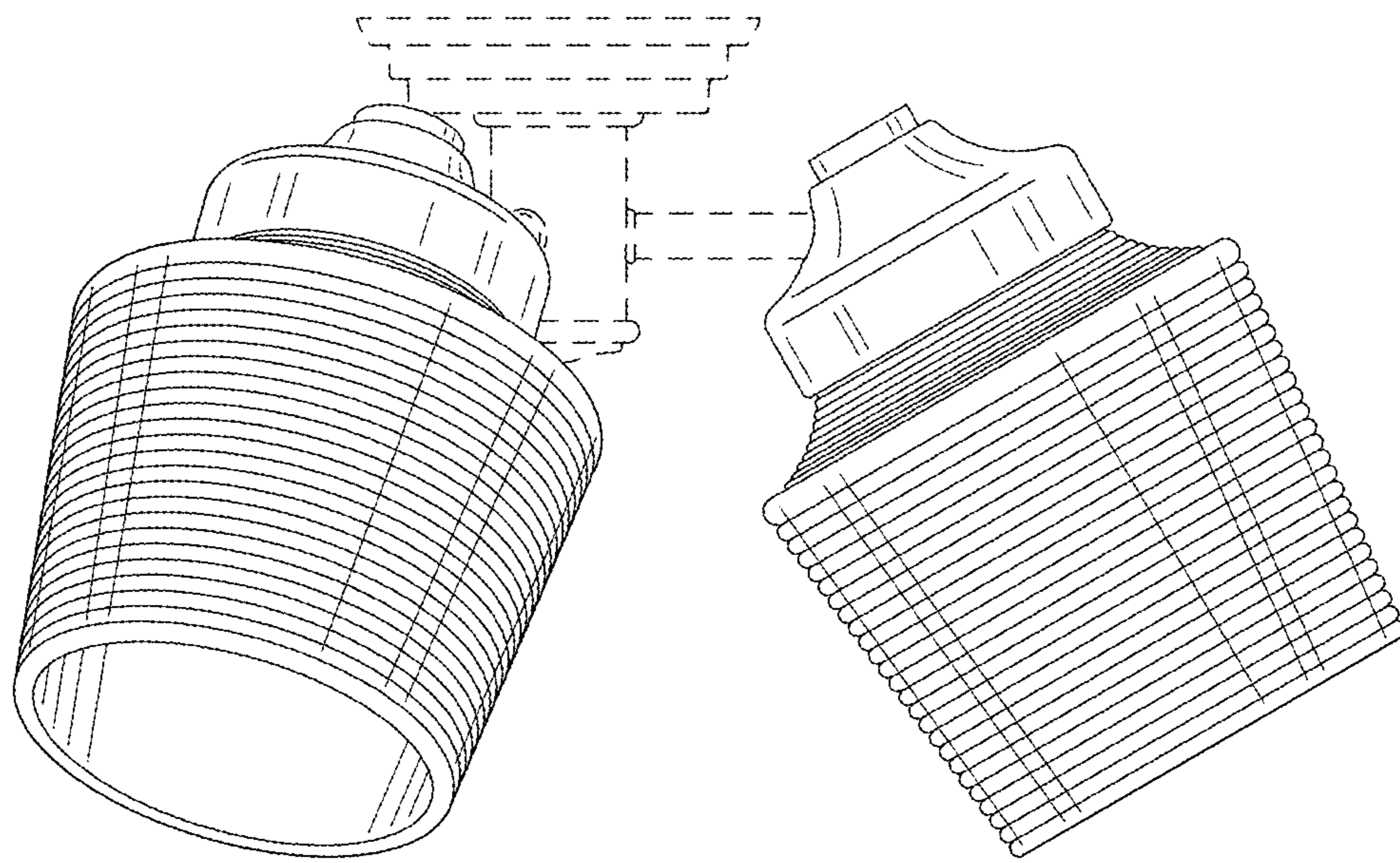


FIG.12

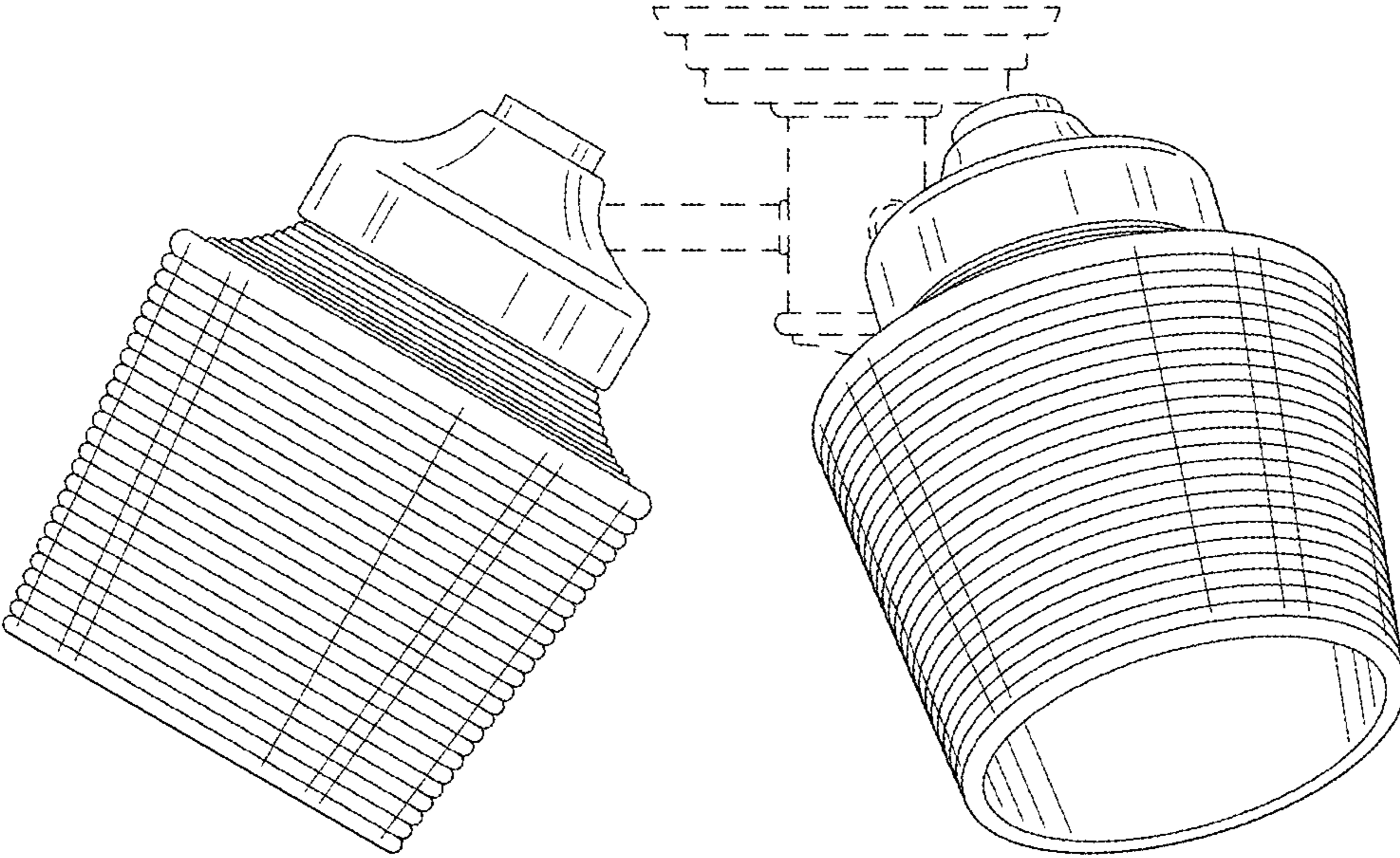


FIG. 13