



US00D875979S

(12) **United States Design Patent**
Levy et al.

(10) **Patent No.:** **US D875,979 S**
(45) **Date of Patent:** **** Feb. 18, 2020**

- (54) **CAP LIGHT**
- (71) Applicant: **Navajo Manufacturing Company, Inc., Denver, CO (US)**
- (72) Inventors: **Gordon Levy, Golden, CO (US); Shawn A. Shelton, Highlands Ranch, CO (US)**
- (73) Assignee: **Navajo Manufacturing Company, Inc., Denver, CO (US)**
- (**) Term: **15 Years**
- (21) Appl. No.: **29/666,178**
- (22) Filed: **Oct. 10, 2018**
- (51) **LOC (12) Cl.** **26-02**
- (52) **U.S. Cl.**
USPC **D26/39**
- (58) **Field of Classification Search**
USPC D26/1, 24, 25, 43, 60, 110, 113, 28, 37, D26/61, 85, 102, 138-140; 362/249.14, 362/311.02, 311.13
CPC F21S 4/00; F21S 4/10; F21S 4/15; F21S 4/26; F21S 2/00; F21V 11/02; F21V 11/06; F21V 17/10; F21V 17/16; F21V 21/0296; F21V 21/0054; F21V 21/008; F21V 21/00; F21V 21/08; F21V 23/00; F21V 23/04; F21V 33/00; F21W 2121/00; F21W 2121/04; F21Y 2115/10; F21L 4/00; F21L 4/02; F21L 4/04; F21L 4/08
See application file for complete search history.

5,515,249 A	5/1996	Shiao	
5,558,429 A	9/1996	Cain	
5,592,066 A	1/1997	Fan	
6,015,217 A	1/2000	Colangelo et al.	
D447,586 S	9/2001	Shing	
D464,453 S *	10/2002	Cramer D26/37
6,467,929 B2	10/2002	Lee	
6,793,366 B2	9/2004	Chun	
D507,065 S	7/2005	Son	
7,118,241 B2	10/2006	Sohn	
7,163,309 B2	1/2007	Sohn	
D544,121 S	6/2007	Yang	
D553,279 S	10/2007	Yang	
D564,685 S	3/2008	Schnell	
D576,325 S *	9/2008	Kim D26/39
7,427,149 B2	9/2008	Sohn	
7,506,992 B2	3/2009	Carter	
D590,975 S	4/2009	Ma	
7,708,422 B2	5/2010	Sohn	

(Continued)

FOREIGN PATENT DOCUMENTS

WO 2009002082 A2 12/2008

Primary Examiner — Abraham Bahta
(74) *Attorney, Agent, or Firm* — Studebaker & Brackett PC

(57) **CLAIM**

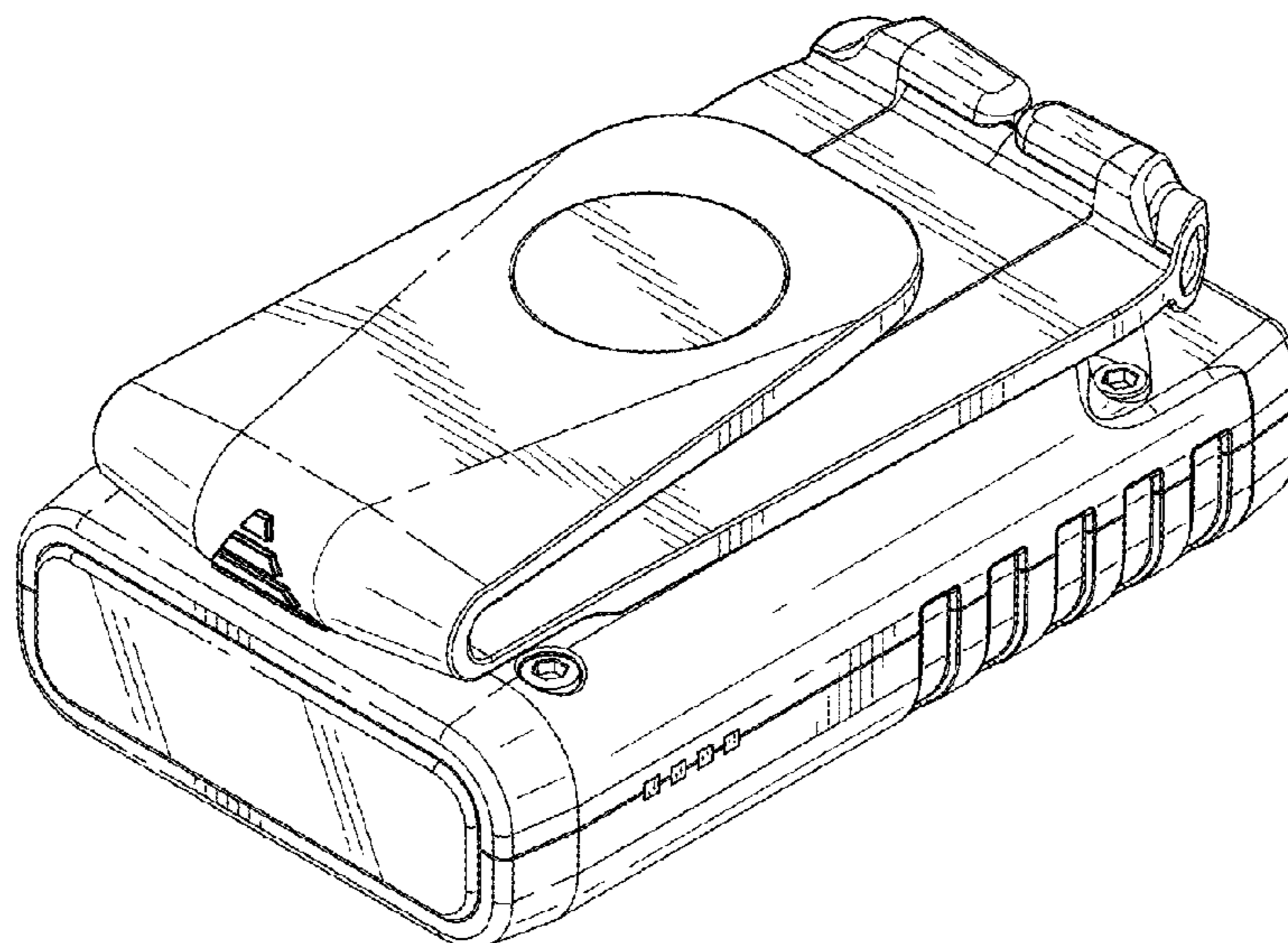
The ornamental design for a cap light, as shown and described.

DESCRIPTION

FIG. 1 is a front perspective view of the cap light showing our new design;
FIG. 2 is an alternate front perspective view thereof;
FIG. 3 is a front view thereof;
FIG. 4 is a rear view thereof;
FIG. 5 is a top view thereof;
FIG. 6 is a bottom view thereof;
FIG. 7 is a right side view thereof; and,
FIG. 8 is a left side view thereof.

1 Claim, 4 Drawing Sheets

- (56) **References Cited**
U.S. PATENT DOCUMENTS
1,283,566 A 11/1918 Rosenfeld
D188,129 S 6/1960 Wansky et al.
3,032,647 A 5/1962 Wansky et al.
3,601,595 A 8/1971 Kivela
4,827,384 A 5/1989 Von Schlemmer



(56)

References Cited

U.S. PATENT DOCUMENTS

D637,330 S	5/2011	Lee	
8,002,437 B2	8/2011	Sohn	
8,157,403 B2	4/2012	Lau	
8,403,518 B2	3/2013	Sohn	
D679,435 S	4/2013	Sohn	
8,562,170 B2	10/2013	Sohn	
D848,042 S *	5/2019	Feng D26/39

* cited by examiner

FIG. 1

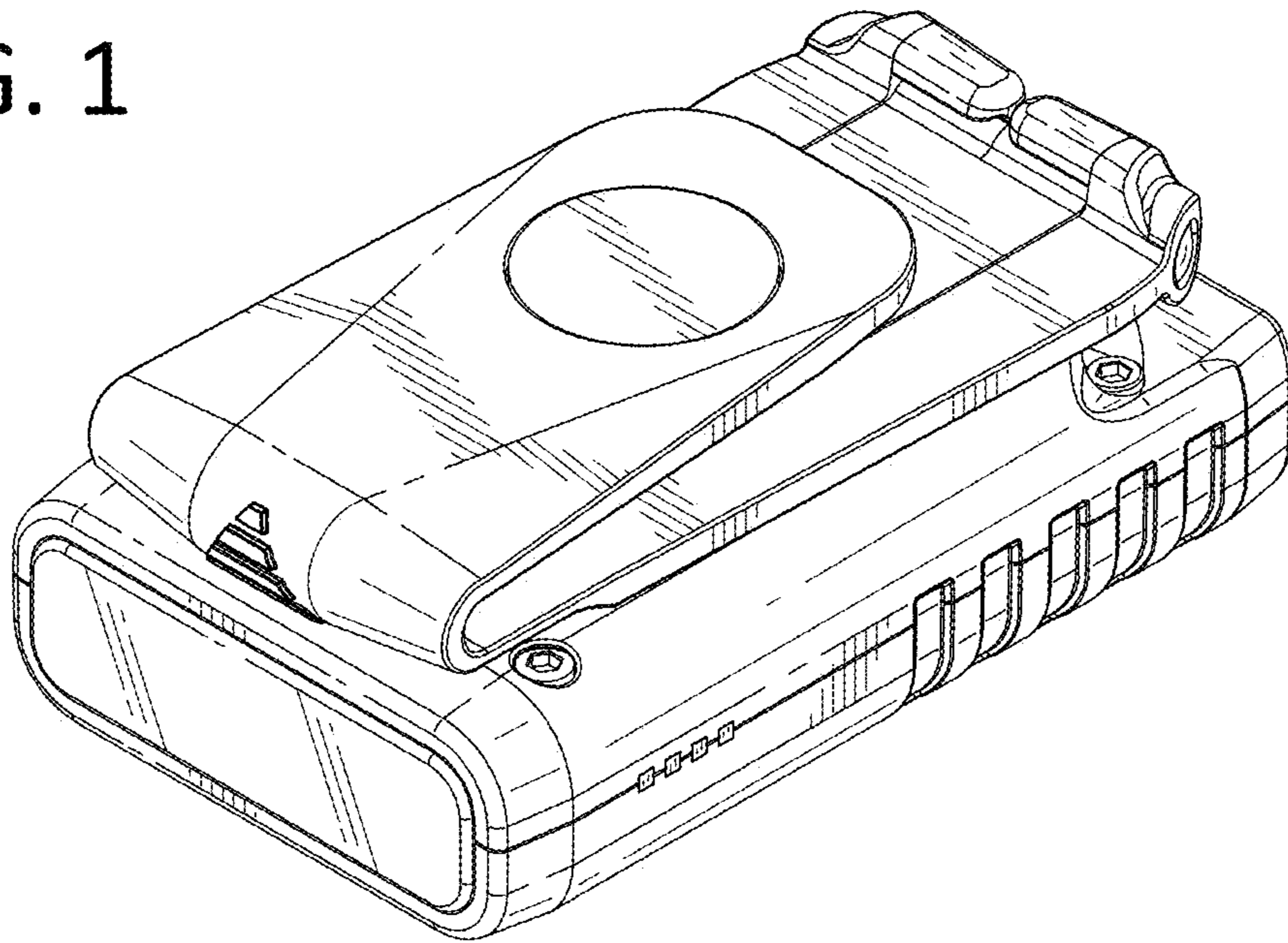
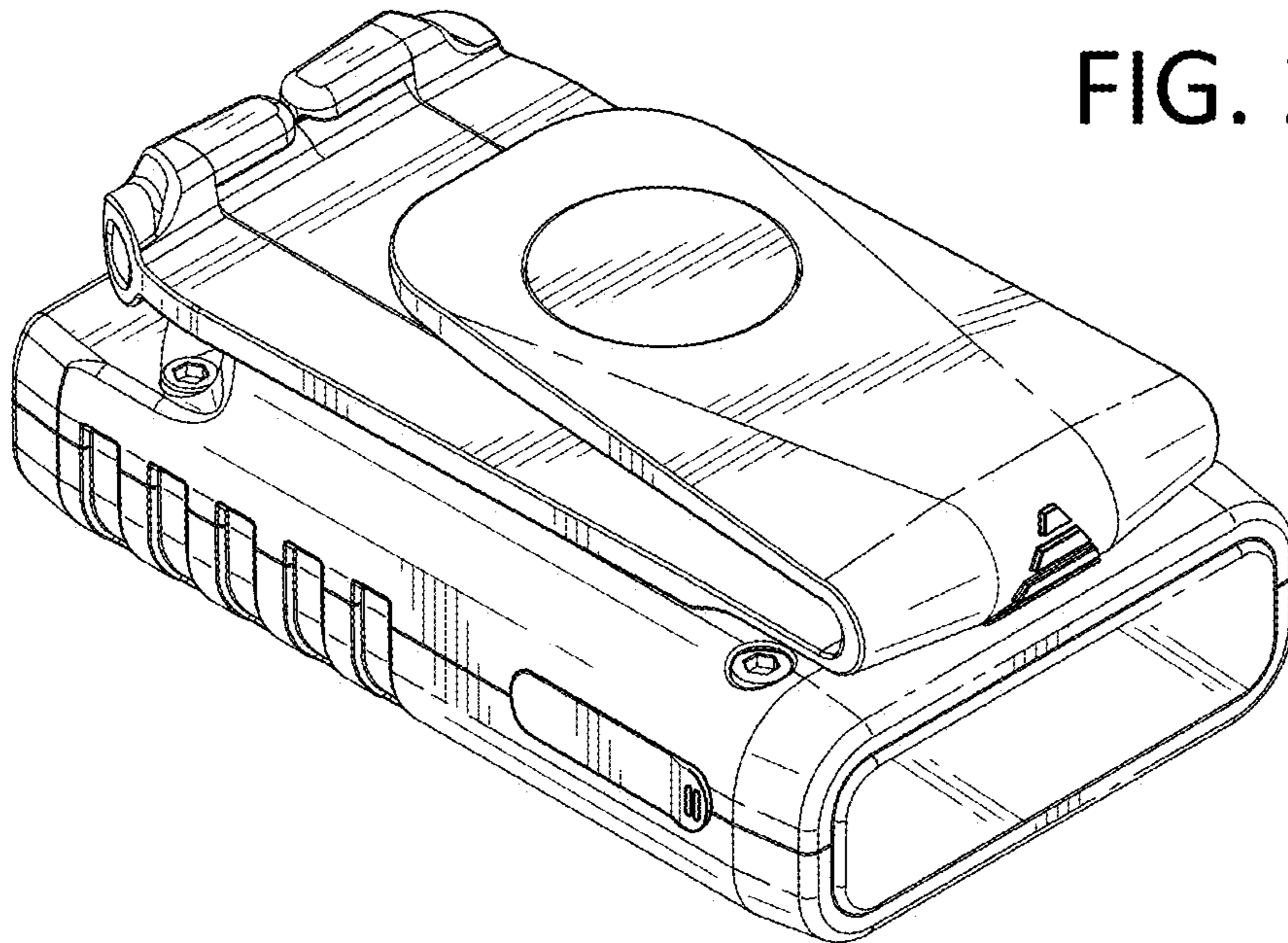


FIG. 2



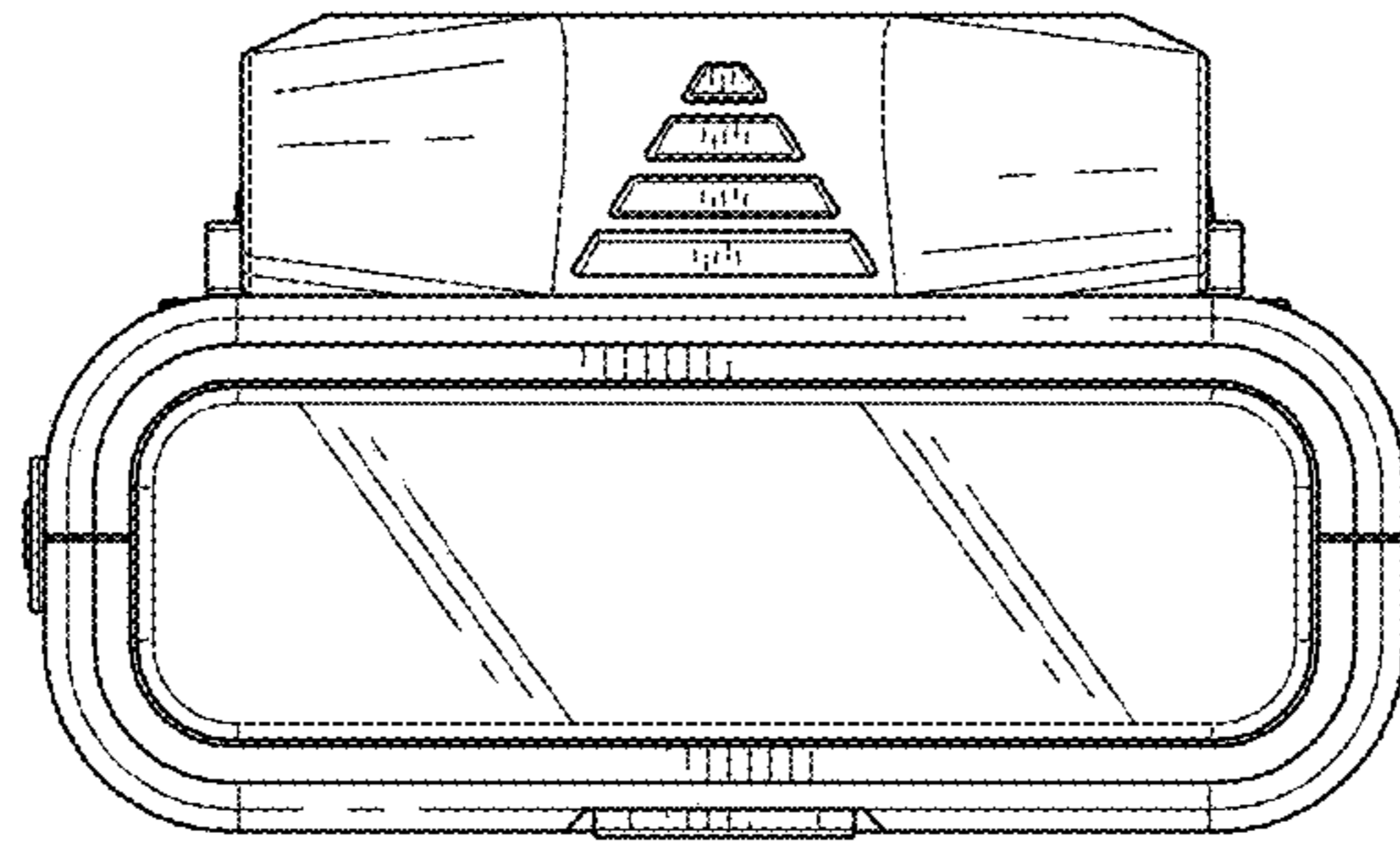


FIG. 3

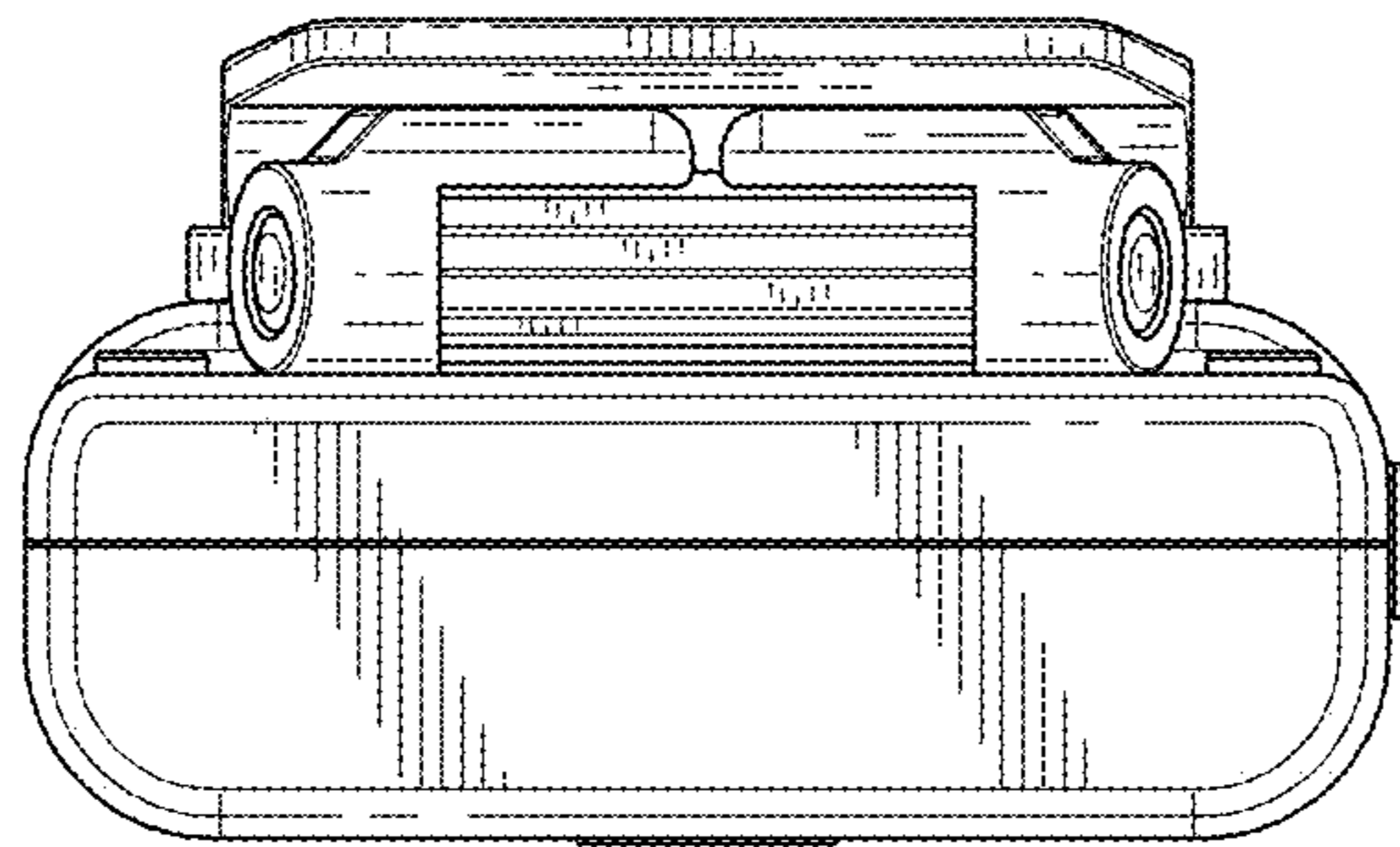


FIG. 4

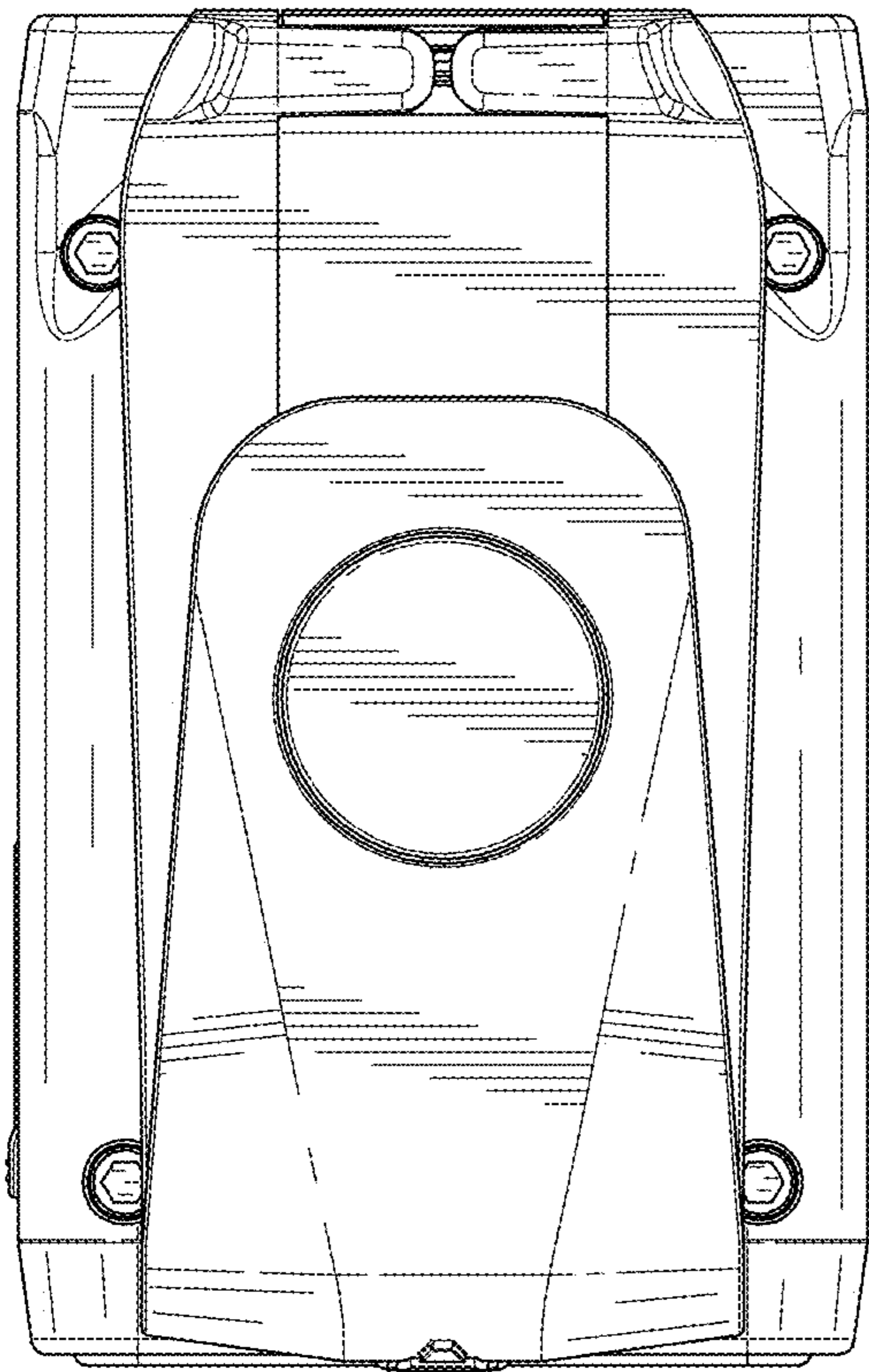


FIG. 5

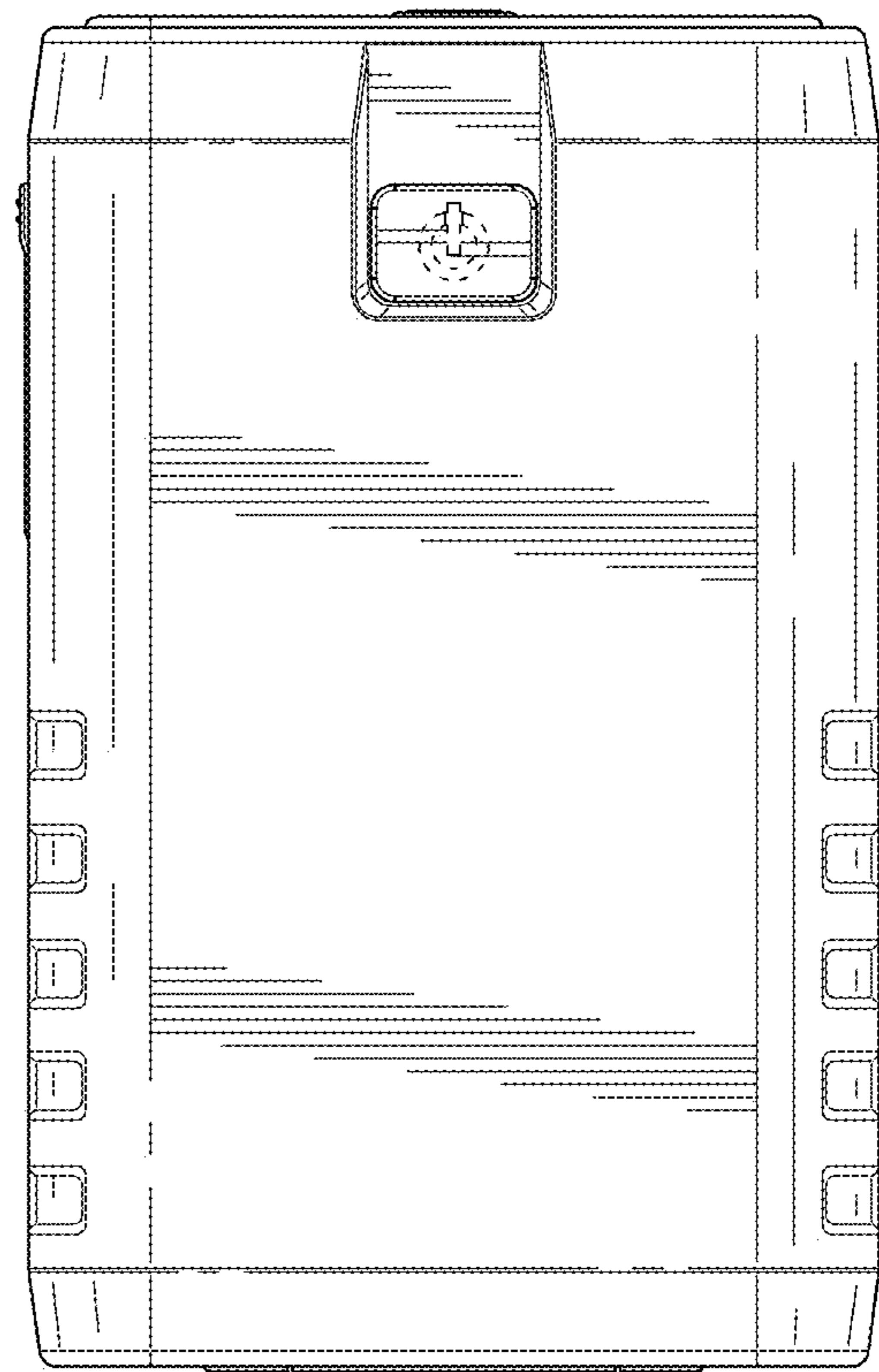


FIG. 6

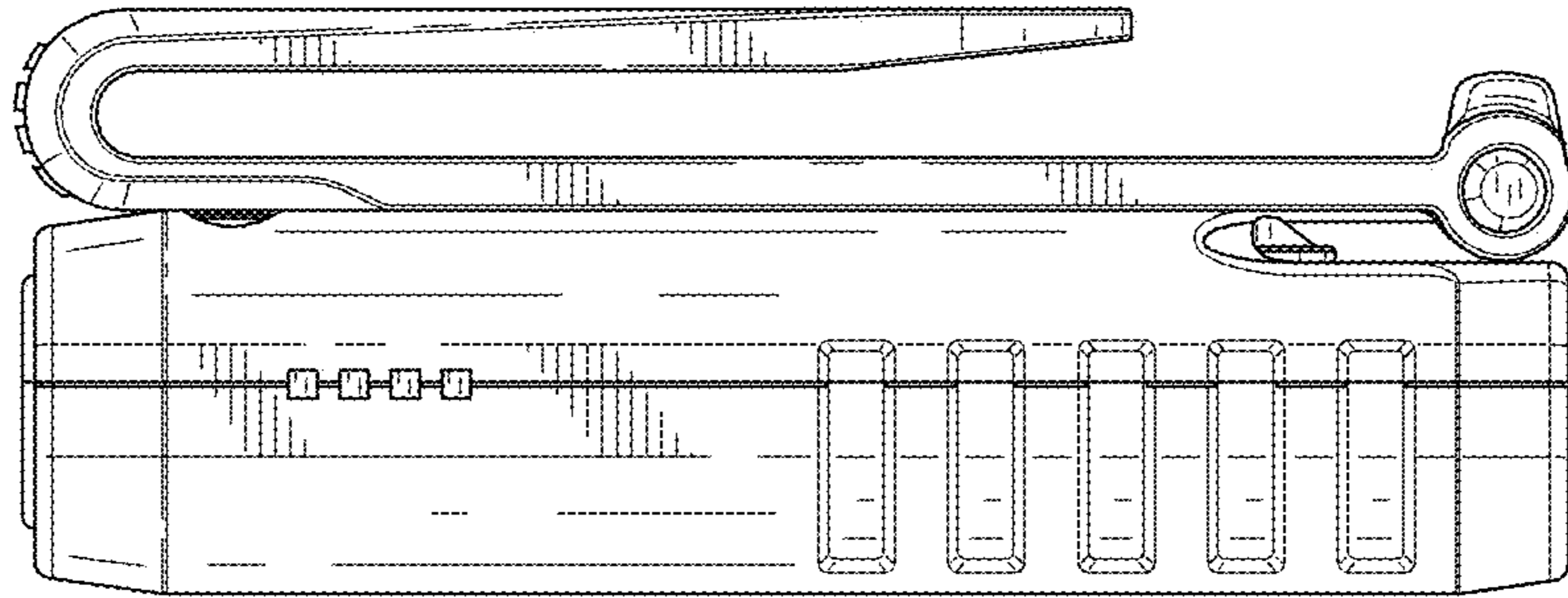


FIG. 7

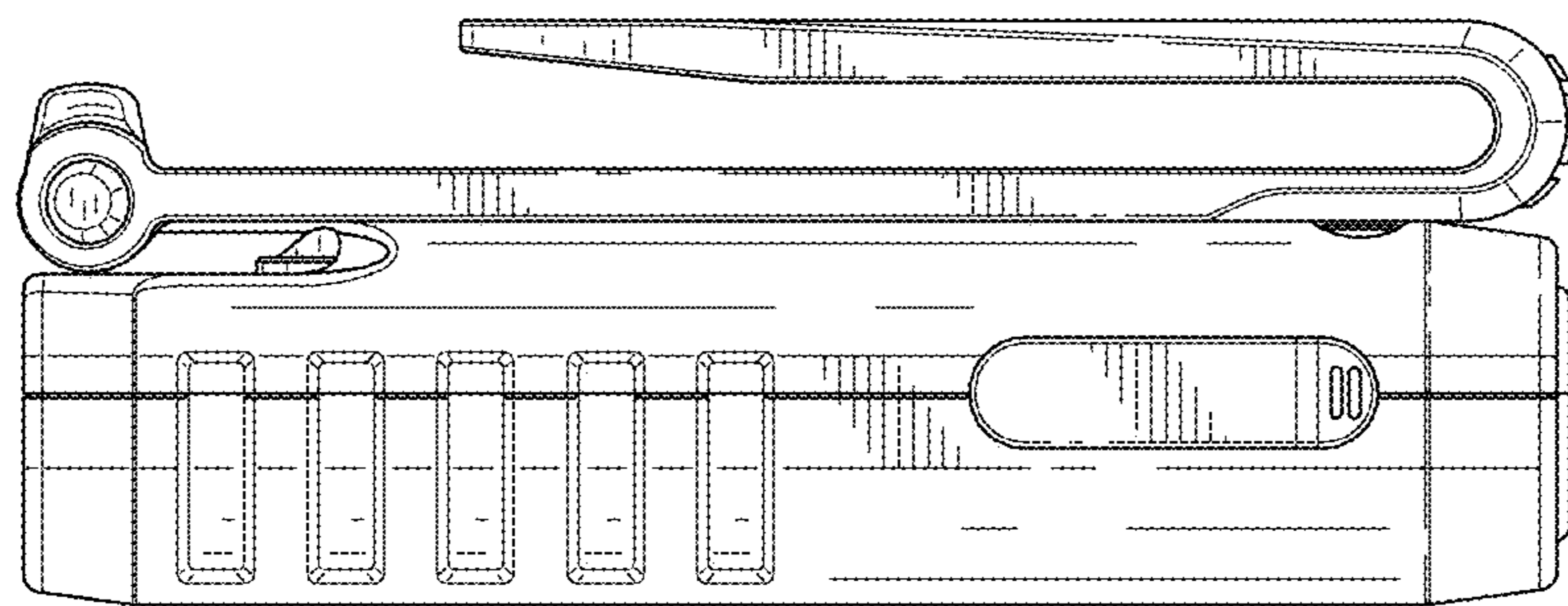


FIG. 8