



US00D875978S

(12) **United States Design Patent** (10) **Patent No.:** **US D875,978 S**
Willows et al. (45) **Date of Patent:** **** Feb. 18, 2020**

(54) **MINI LIGHT**

(71) Applicant: **Amphipod, Inc.**, Seattle, WA (US)

(72) Inventors: **Keith S. Willows**, Seattle, WA (US);
June A. Angus, Seattle, WA (US);
Antonio Del Rosario, Bellevue, WA (US)

(73) Assignee: **AMPHIPOD, INC.**, Seattle, WA (US)

(**) Term: **15 Years**

(21) Appl. No.: **29/659,403**

(22) Filed: **Aug. 8, 2018**

(51) **LOC (12) Cl.** **26-02**

(52) **U.S. Cl.**
USPC **D26/39**

(58) **Field of Classification Search**
USPC D26/1, 24, 25, 43, 60, 110, 113, 28, 37,
D26/61, 85, 102, 138–140; 362/249.14,
362/311.02, 311.13
CPC F21S 4/00; F21S 4/10; F21S 4/15; F21S
4/26; F21S 2/00; F21V 11/02; F21V
11/06; F21V 17/10; F21V 17/16; F21V
21/0296; F21V 21/0054; F21V 21/008;
F21V 21/00; F21V 21/08; F21V 23/00;
F21V 23/04; F21V 33/00; F21W 2121/00;
F21W 2121/04; F21Y 2115/10; F21L
4/00; F21L 4/02; F21L 4/04; F21L 4/08
See application file for complete search history.

(56) **References Cited**

U.S. PATENT DOCUMENTS

D638,964 S *	5/2011	Cappuccio	D26/39
D699,378 S *	2/2014	DiLuciano	D26/37
D733,950 S *	7/2015	Wu	D26/37
D753,327 S *	4/2016	Miki	D26/37
D857,958 S *	8/2019	Willows	D26/38

* cited by examiner

Primary Examiner — Abraham Bahta

(74) *Attorney, Agent, or Firm* — Lowe Graham Jones PLLC

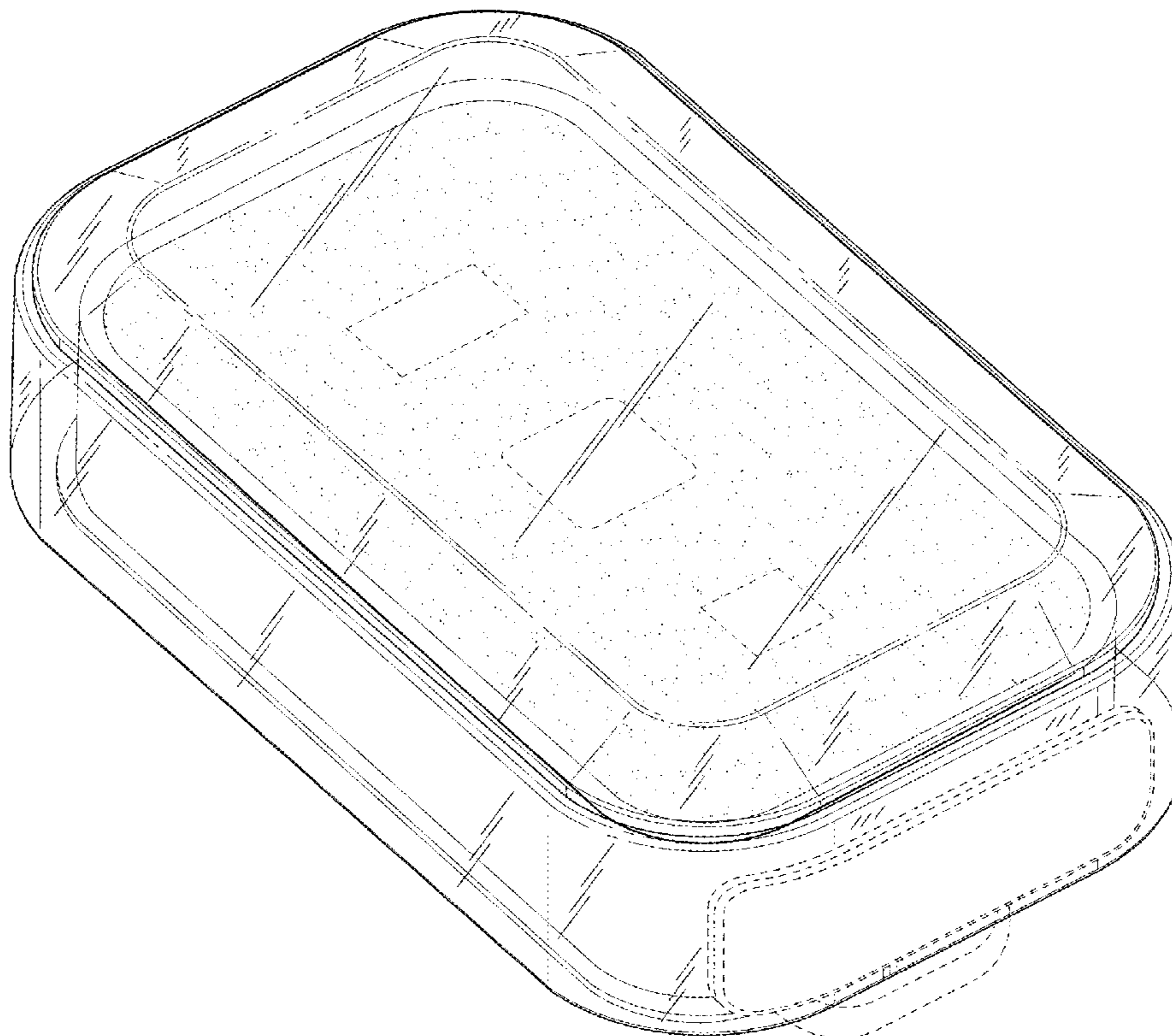
(57) **CLAIM**

We claim the ornamental design for a mini light, as shown and described.

DESCRIPTION

FIG. 1 is a front perspective view of a mini light, showing our new design.
FIG. 2 is a front elevational view of the mini light.
FIG. 3 is a rear elevational view of the mini light.
FIG. 4 is a left side elevational view of the mini light.
FIG. 5 is a right side elevational view of the mini light.
FIG. 6 is a top plan view of the mini light; and,
FIG. 7 is a bottom plan view of the mini light.
The broken lines depict portions of the mini light that form no part of the claimed design. The stippling visible in FIGS. 1 and 2 represent a retro-reflective surface.

1 Claim, 7 Drawing Sheets



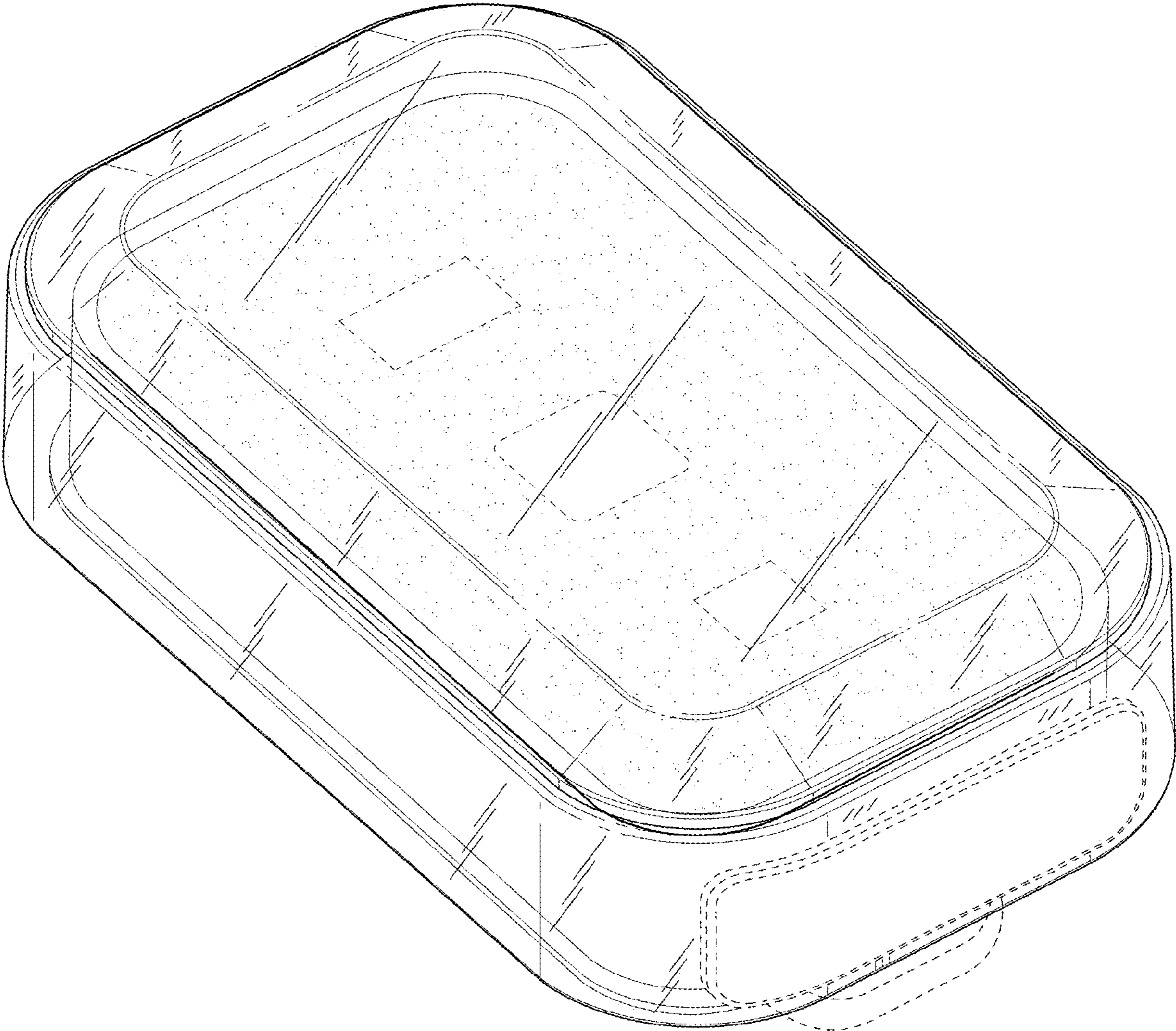


FIG. 1

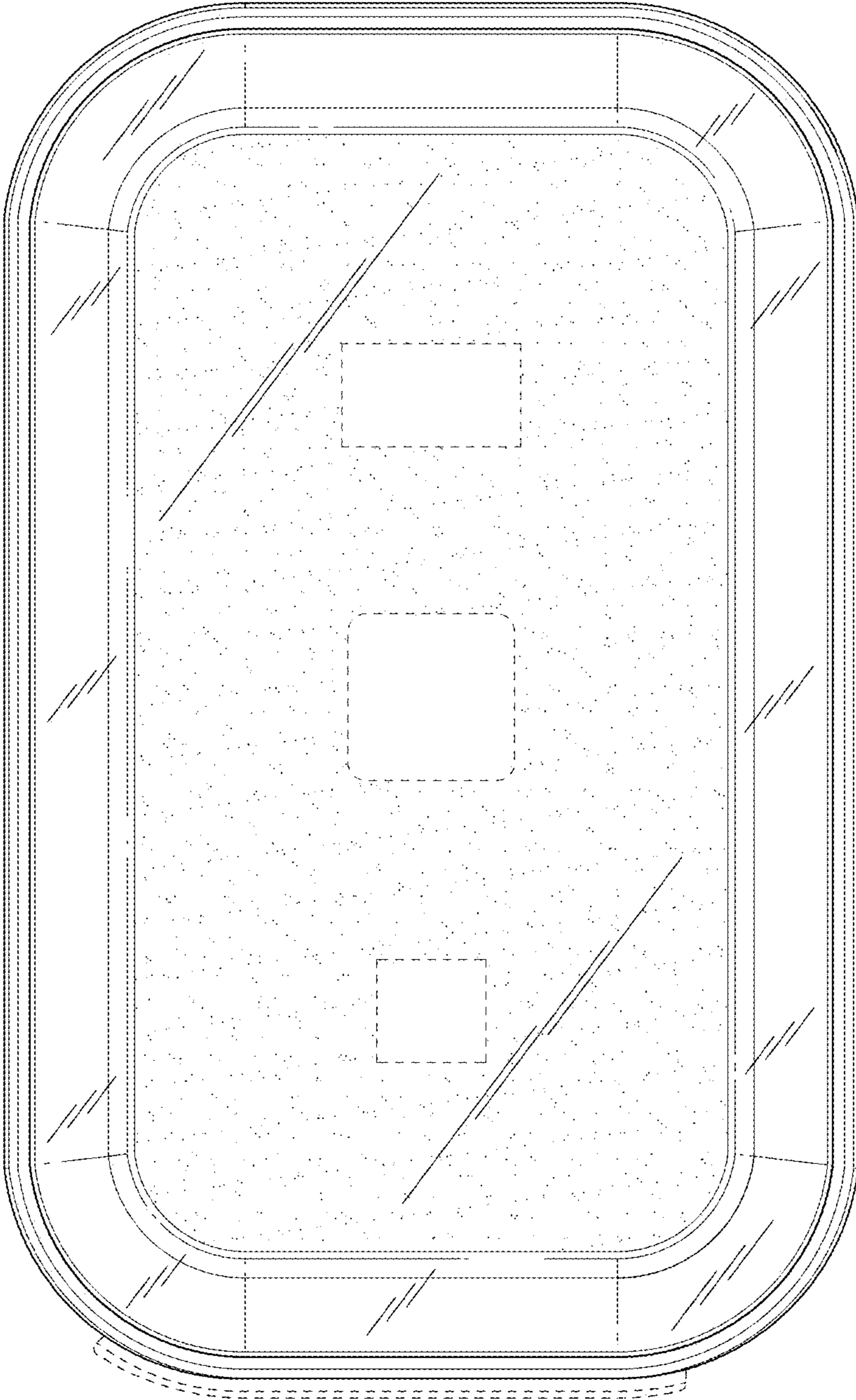


FIG. 2

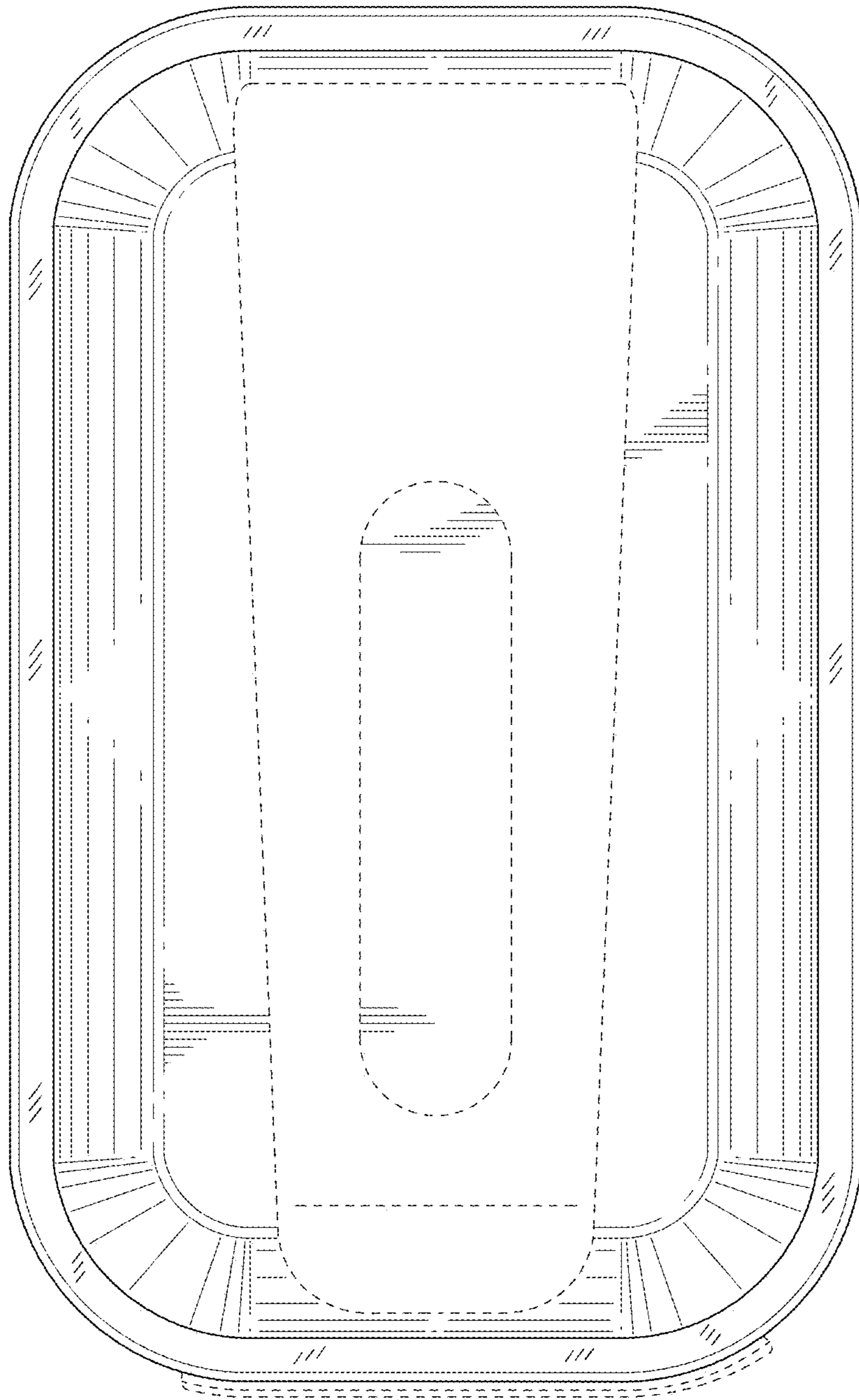


FIG. 3

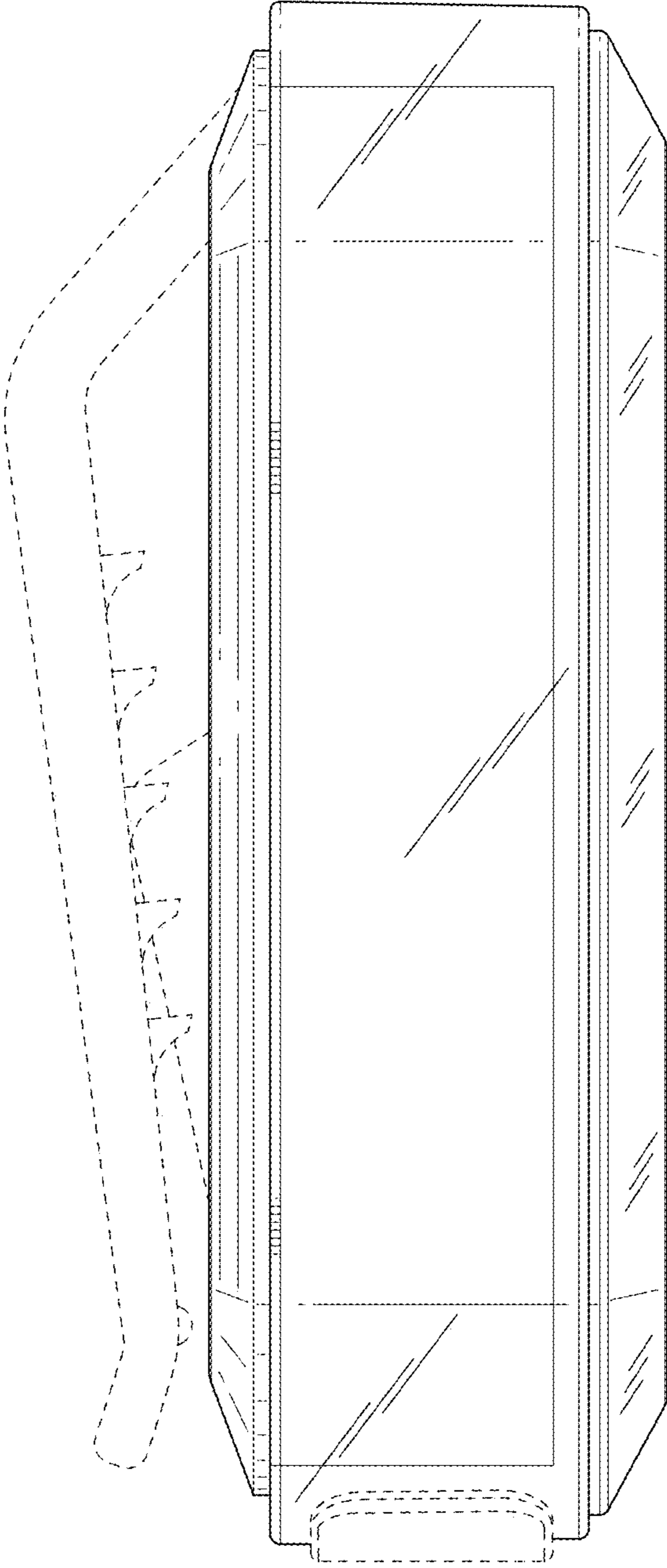


FIG.4

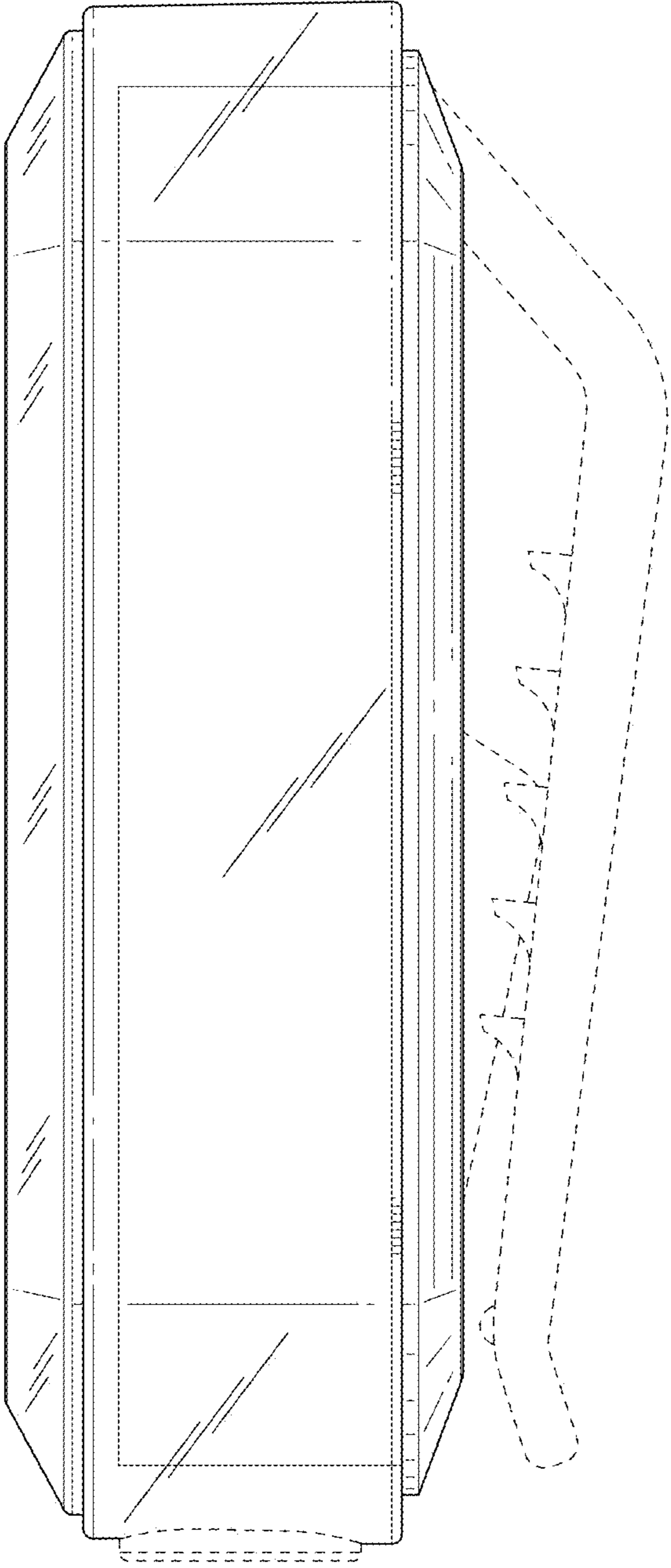


FIG. 5

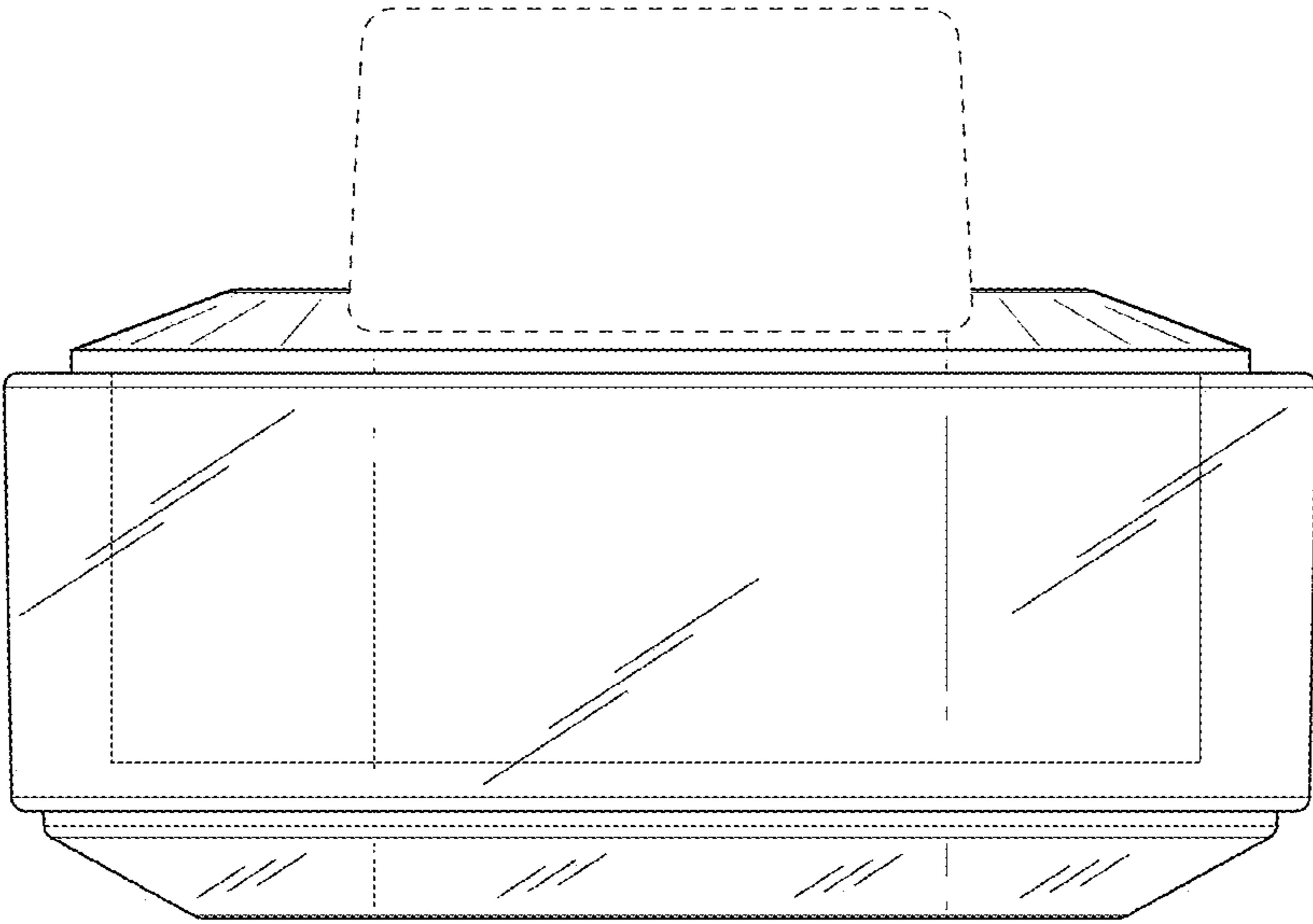


FIG. 6

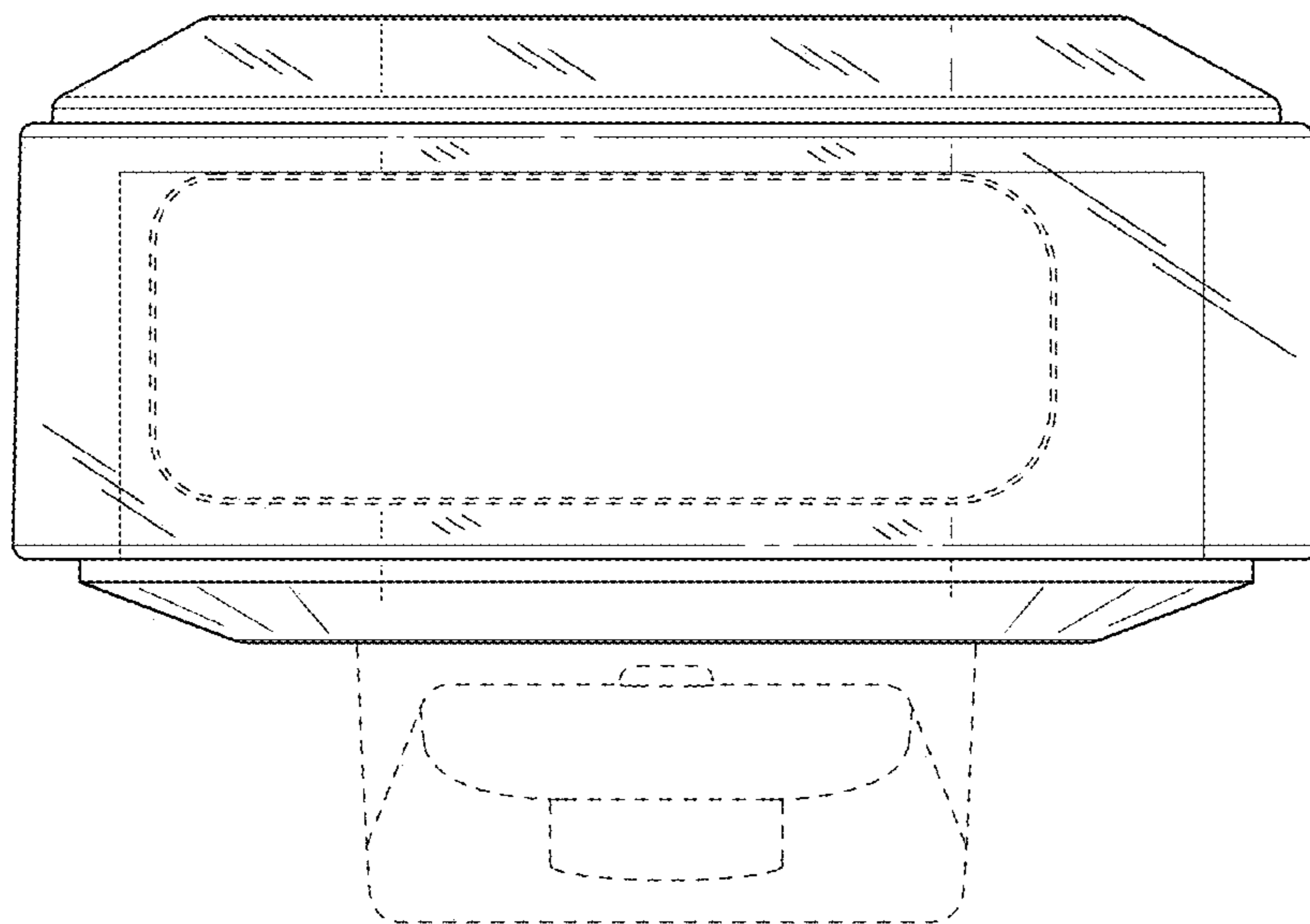


FIG. 7