



US00D875967S

(12) **United States Design Patent**
Park et al.

(10) **Patent No.:** **US D875,967 S**
(45) **Date of Patent:** **** Feb. 18, 2020**

(54) **CONTAINER FOR STORING BIOLOGICAL MATERIAL**

(71) Applicant: **HOPE BIOSCIENCES, LLC**, Sugar Land, TX (US)

(72) Inventors: **Hyeonggeun Park**, Sugar Land, TX (US); **Soyun Chang**, Sugar Land, TX (US)

(73) Assignee: **HOPE BIOSCIENCES, LLC**, Sugar Land, TX (US)

(**) Term: **15 Years**

(21) Appl. No.: **29/676,757**

(22) Filed: **Jan. 14, 2019**

Related U.S. Application Data

(63) Continuation-in-part of application No. 29/610,680, filed on Jul. 14, 2017, now Pat. No. Des. 848,022.

(51) **LOC (12) Cl.** **24-02**

(52) **U.S. Cl.**
USPC **D24/224**; D9/547; D9/523

(58) **Field of Classification Search**
USPC D24/107, 108, 113, 114, 121, 133, 184, D24/186, 216, 222, 224, 225, 226, 227, D24/228, 229, 230, 231, 233; D9/523, D9/547, 549, 550, 724, 732
CPC B01F 13/0025; B01J 2219/00292; B01J 2220/64; B01L 3/14; B01L 3/508-50825; B01L 3/52-523
See application file for complete search history.

(56) **References Cited**

U.S. PATENT DOCUMENTS

D208,011 S * 6/1967 Swayze D9/523
D214,021 S * 5/1969 Bacialli D23/211.1
D229,542 S * 12/1973 Schweizer D9/523
D247,874 S * 5/1978 Kuypers D9/523

D248,830 S * 8/1978 Anderson D9/523
D294,557 S * 3/1988 Jones D9/523
D325,522 S * 4/1992 Brochenin D9/523
D332,224 S * 1/1993 Lynd D9/523
D394,987 S * 6/1998 Credle, Jr. D21/484
D405,014 S * 2/1999 Nask D9/417
D471,584 S * 3/2003 Sugata B41J 2/17509
D18/43
D502,268 S * 2/2005 Sakai D24/223
D558,577 S * 1/2008 Pettigrew D9/523
7,807,461 B2 10/2010 Kang et al.
D770,637 S * 11/2016 Pansare D24/224
D848,022 S * 5/2019 Park D24/224

(Continued)

FOREIGN PATENT DOCUMENTS

WO 2007123363 A1 11/2007
WO 2013032052 A1 3/2013

OTHER PUBLICATIONS

Wager, et al. Replicative Senescence of Mesenchymal Stem Cells: A Continuous and Organized Process, PLoS One. 3(5):e2213 (2008).

Primary Examiner — Vy N Koenig

(74) *Attorney, Agent, or Firm* — Rao DeBoer Osterrieder, PLLC; Dileep P. Rao

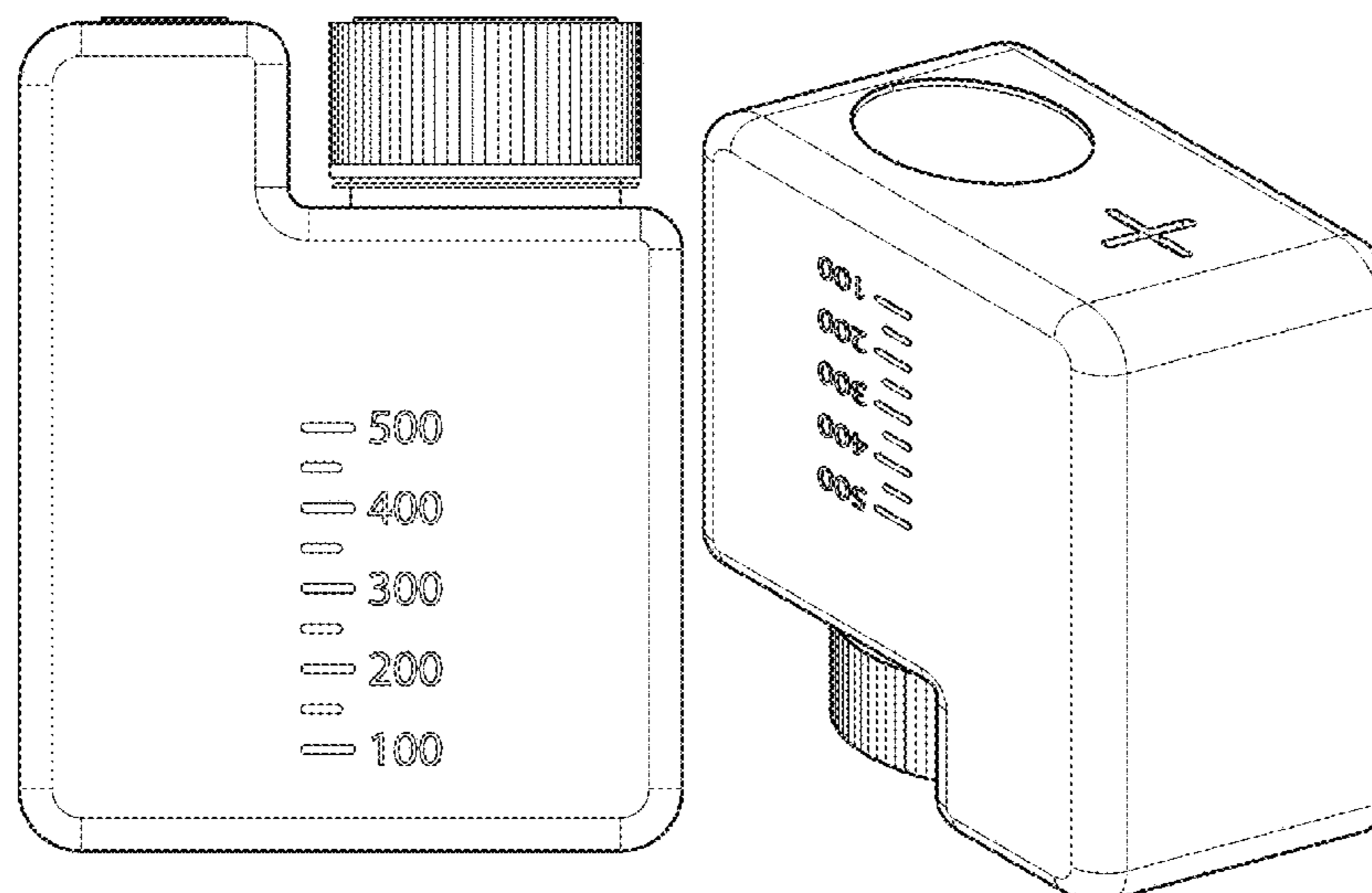
(57) **CLAIM**

The ornamental design for a container for storing biological material, as shown and described.

DESCRIPTION

FIG. 1 is a right side elevation view of a container for storing biological materials showing our new design. FIG. 2 is a front elevation view thereof. FIG. 3 is a left side elevation view thereof. FIG. 4 is a rear elevation view thereof. FIG. 5 is a top plan view thereof. FIG. 6 is a bottom plan view thereof; and, FIG. 7 is a bottom perspective view thereof.

1 Claim, 4 Drawing Sheets



(56)

References Cited

U.S. PATENT DOCUMENTS

2004/0106191 A1* 6/2004 Muser C12M 23/08
435/304.3
2013/0089928 A1 4/2013 An et al.

* cited by examiner

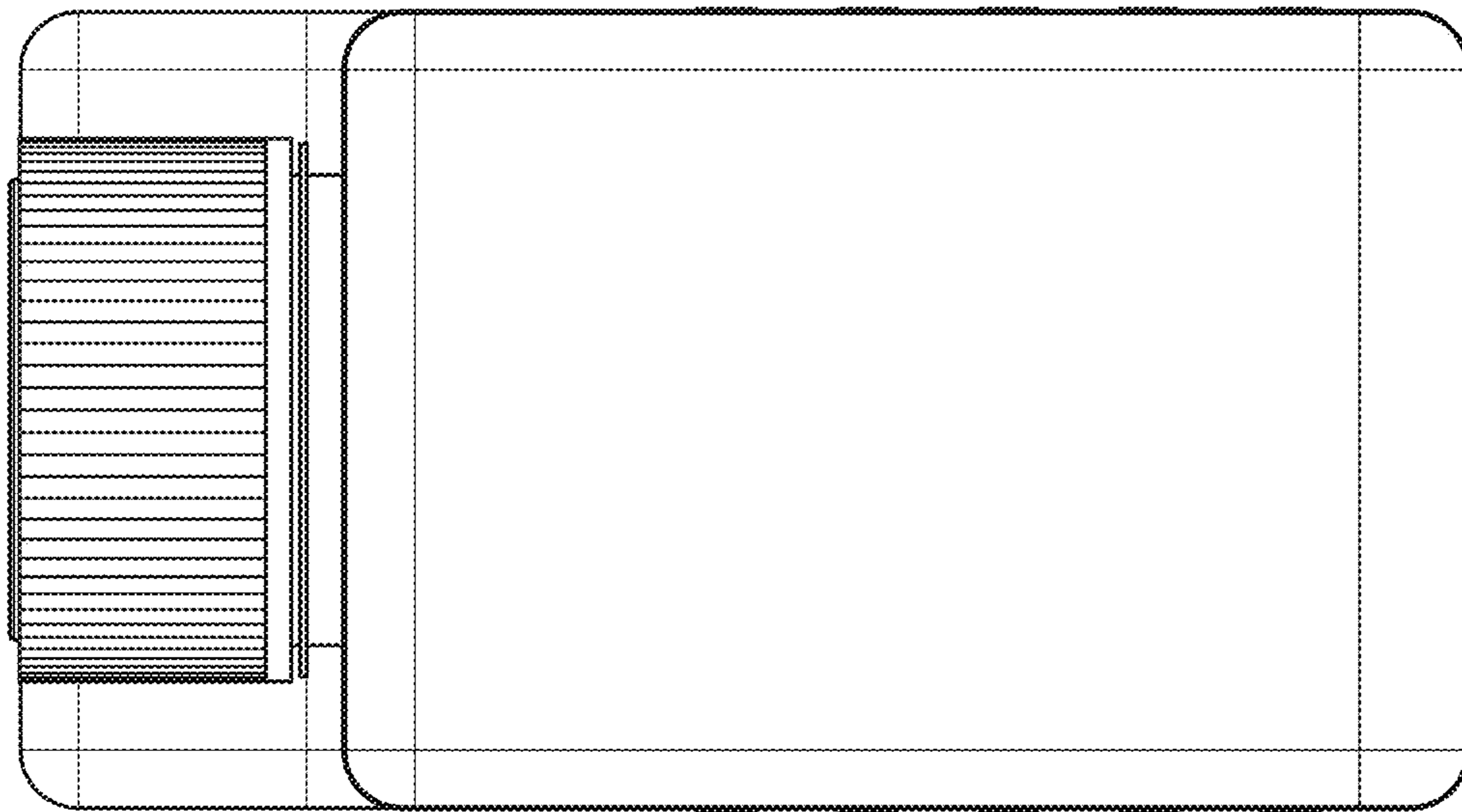


FIG. 2

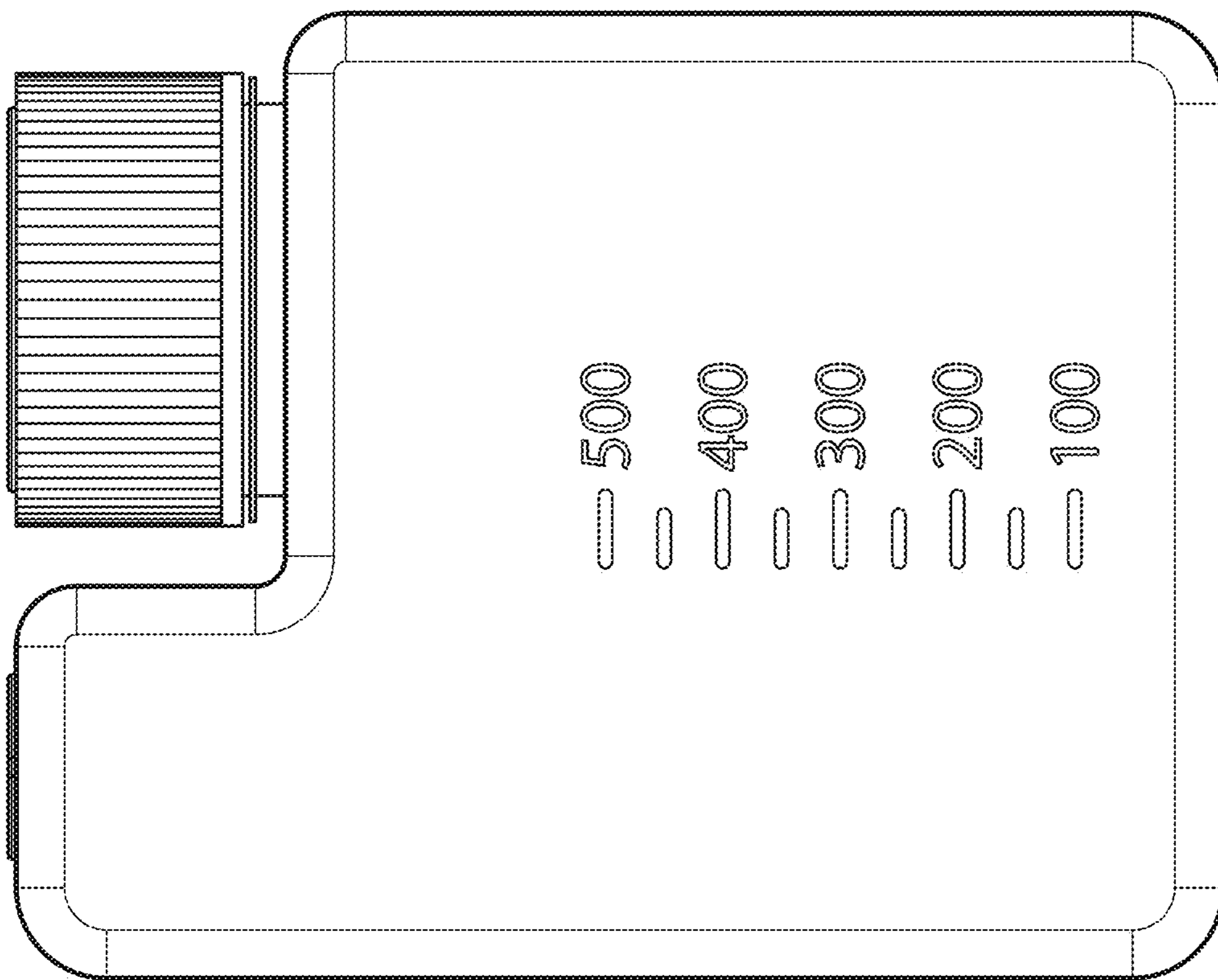


FIG. 1

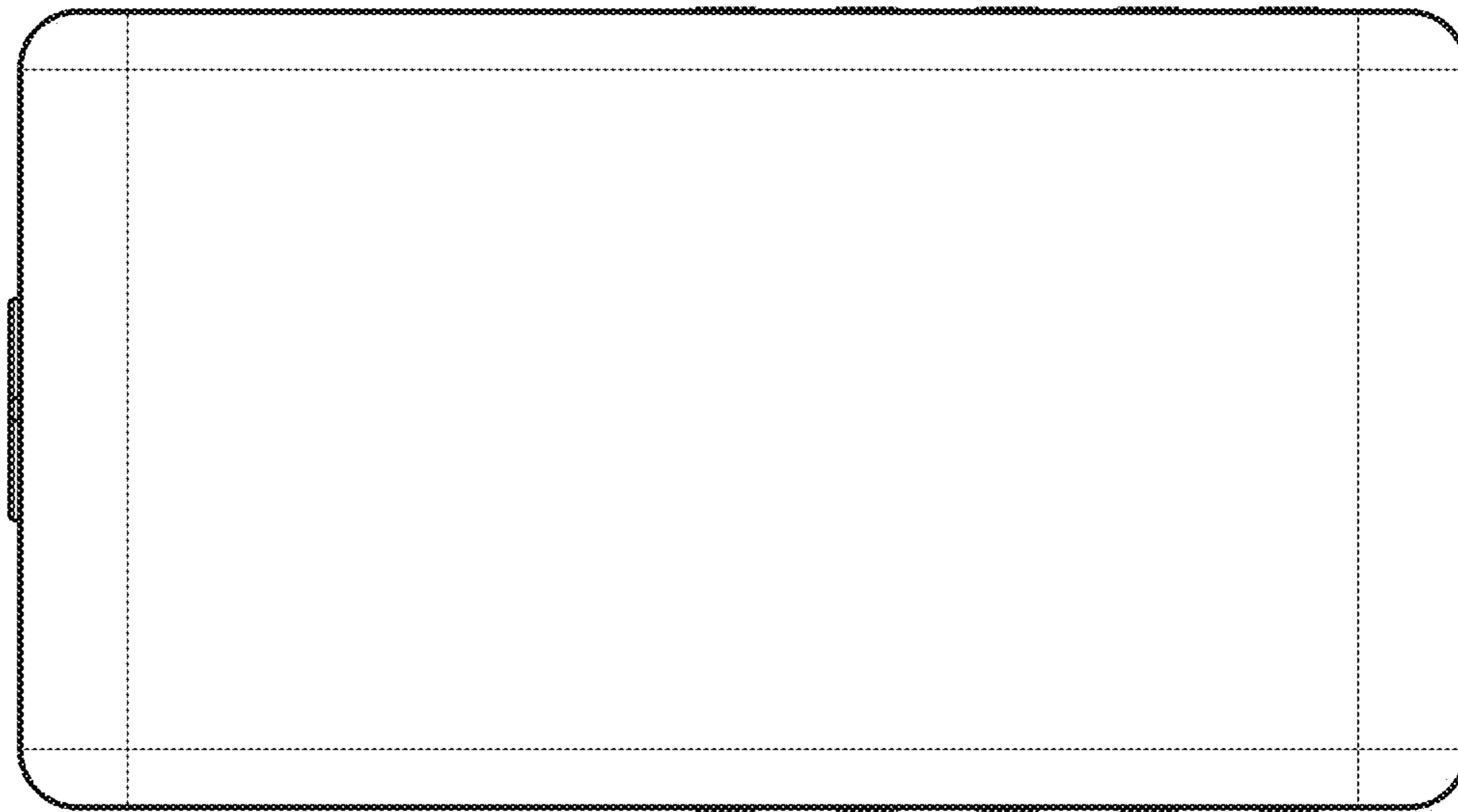


FIG. 4

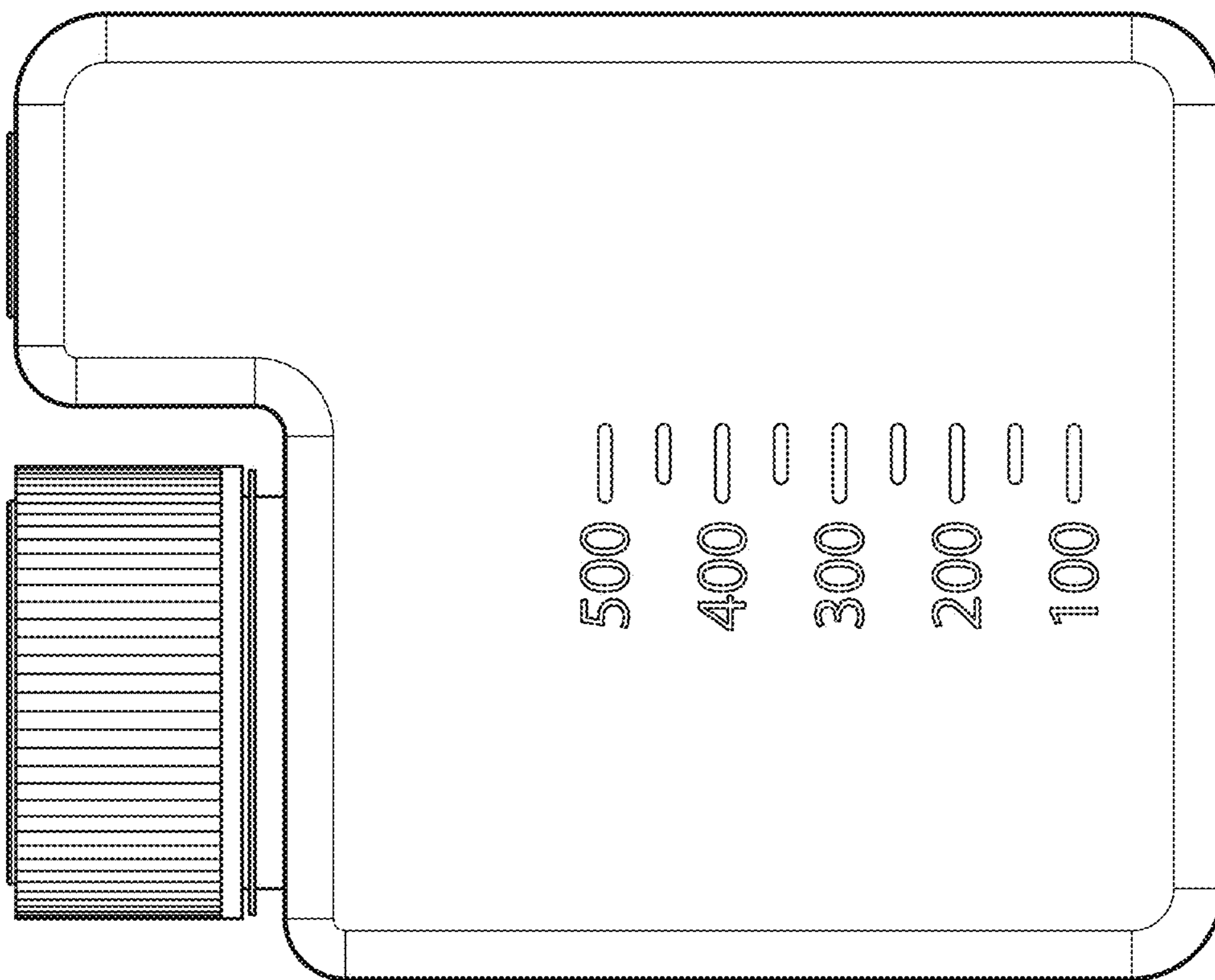


FIG. 3

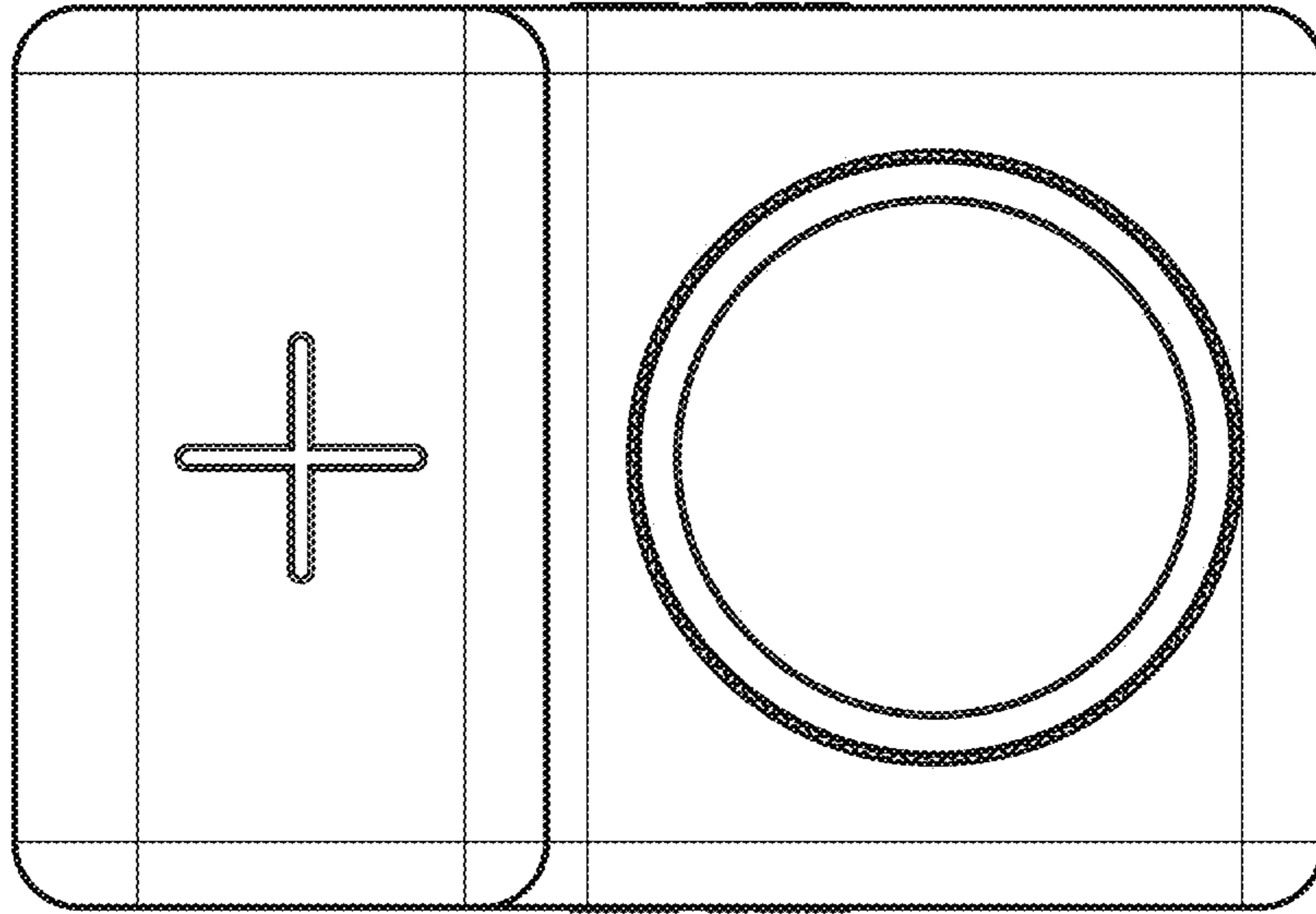


FIG. 5

FIG. 6

