



US00D875965S

(12) **United States Design Patent**
Gani et al.

(10) **Patent No.:** **US D875,965 S**
(45) **Date of Patent:** **** Feb. 18, 2020**

- (54) **OVULATION TEST DEVICE**
- (71) Applicant: **SPD Swiss Precision Diagnostics GmbH**, Geneva (CH)
- (72) Inventors: **James Gani**, Bedford (GB); **Simon Thorne**, Bedford (GB); **Paul Laverack**, Bedford (GB)
- (73) Assignee: **SPD SWISS PRECISION DIAGNOSTICS GMBH**, Geneva (CH)
- (**) Term: **15 Years**
- (21) Appl. No.: **29/629,482**
- (22) Filed: **Dec. 13, 2017**
- (30) **Foreign Application Priority Data**

- Jun. 14, 2017 (EM) 004047546
- (51) **LOC (12) Cl.** **24-02**
- (52) **U.S. Cl.**
USPC **D24/223**
- (58) **Field of Classification Search**
USPC D24/107, 108, 112–114, 127, 130, 133,
D24/169, 186, 216–217, 219, 222–226,
D24/227, 231, 232; D10/81
(Continued)

- (56) **References Cited**
U.S. PATENT DOCUMENTS
D499,812 S * 12/2004 Wu D24/223
D570,490 S * 6/2008 Laverack D24/225
(Continued)

- FOREIGN PATENT DOCUMENTS
CN 201730610737 * 12/2017

OTHER PUBLICATIONS
Positive and Negative Pregnancy Test. Detailed illustration of pregnancy test indicators. Illustration of a pregnancy test on a white background. Online, published date unknown. Retrieved on Jan. 26, 2019 from URL: <https://hqvectors.com/image/shutterstock-eps-587632190>.*

Primary Examiner — Susan Bennett Hattan
Assistant Examiner — Omeed Agilee
(74) *Attorney, Agent, or Firm* — Eric A. Huestis; Foley Hoag LLP

(57) **CLAIM**

The ornamental design for an ovulation test device, as shown and described.

DESCRIPTION

The file of this patent contains at least one drawing executed in color. Copies of this patent with color drawing(s) will be provided by the Office upon request and payment of the necessary fee.

- FIG. 1 is a perspective view of a first embodiment of an ovulation test device;
- FIG. 2 is a top view of a first embodiment of an ovulation test device;
- FIG. 3 is a first side view of a first embodiment of an ovulation test device;
- FIG. 4 is a second side view of a first embodiment of an ovulation test device;
- FIG. 5 is a bottom view of a first embodiment of an ovulation test device;
- FIG. 6 is a first end view of a first embodiment of an ovulation test device;
- FIG. 7 is a second end view of a first embodiment of an ovulation test device;
- FIG. 8 is a perspective view of a second embodiment of an ovulation test device;
- FIG. 9 is a top view of a second embodiment of an ovulation test device;
- FIG. 10 is a first side view of a second embodiment of an ovulation test device;
- FIG. 11 is a second side view of a second embodiment of an ovulation test device;
- FIG. 12 is a bottom view of a second embodiment of an ovulation test device;
- FIG. 13 is a first end view of a second embodiment of an ovulation test device;
- FIG. 14 is a second end view of a second embodiment of an ovulation test device;

(Continued)

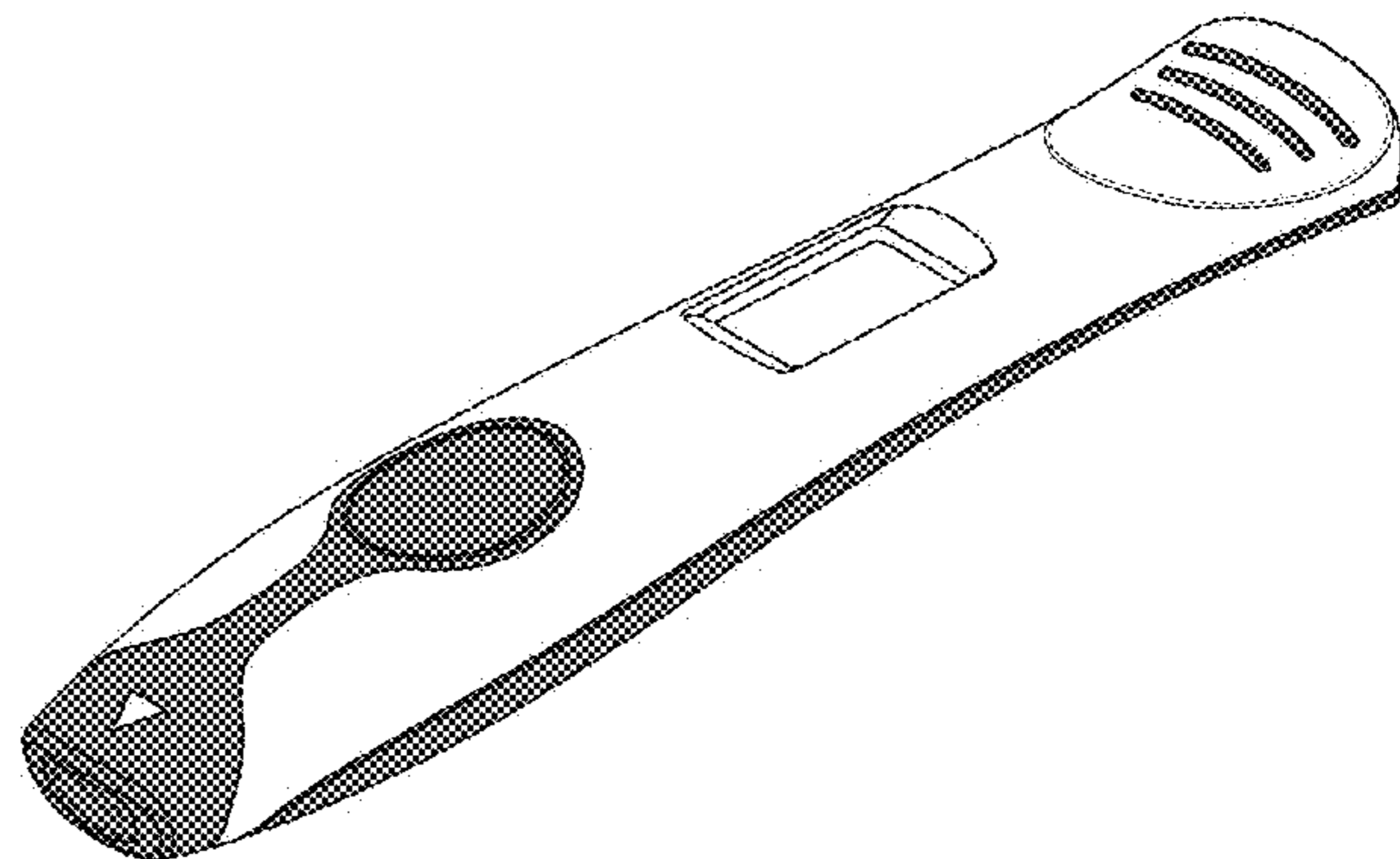
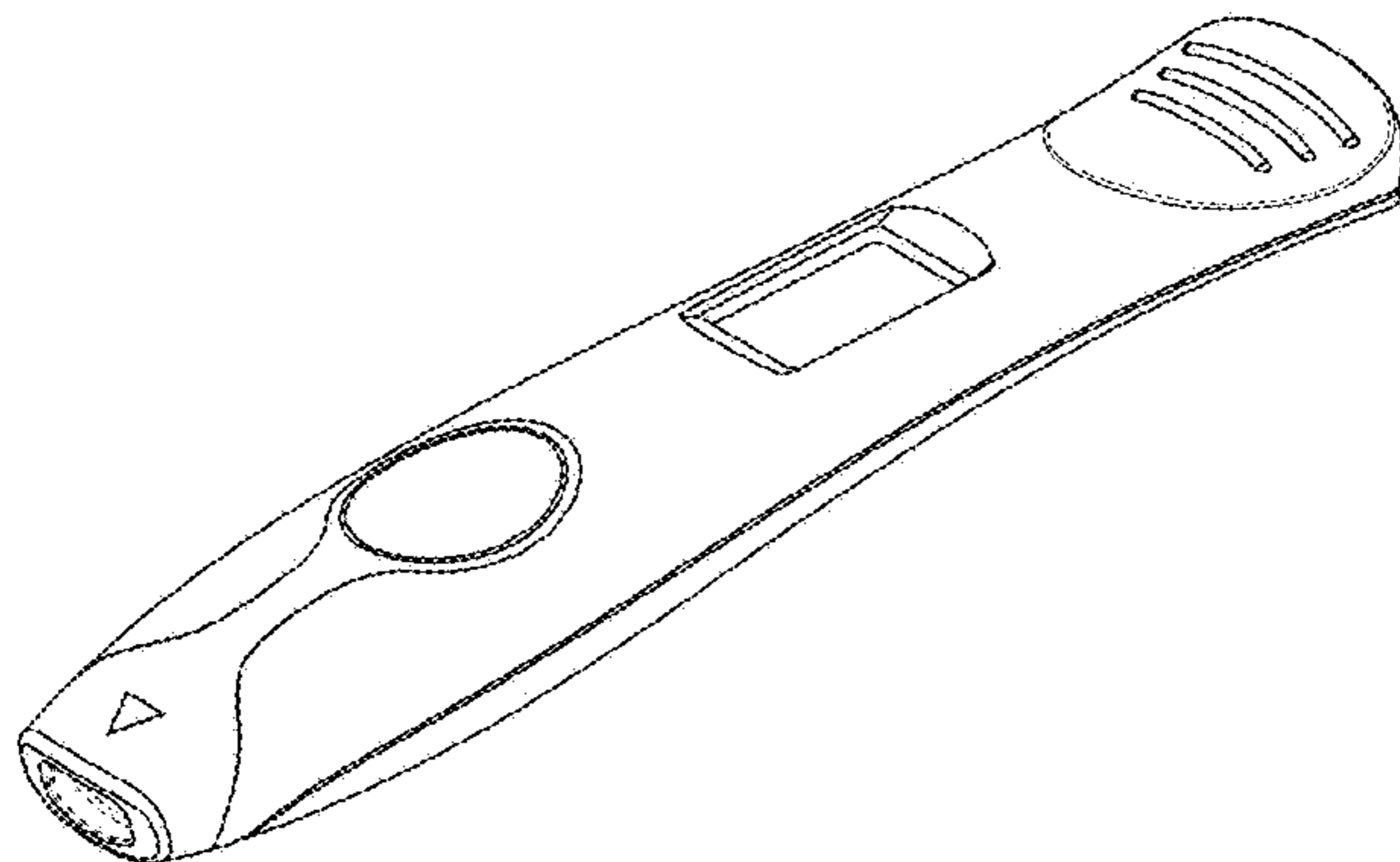


FIG. 15 is a perspective view of a third embodiment of an ovulation test device;

FIG. 16 is a top view of a third embodiment of an ovulation test device;

FIG. 17 is a first side view of a third embodiment of an ovulation test device;

FIG. 18 is a second side view of a third embodiment of an ovulation test device;

FIG. 19 is a bottom view of a third embodiment of an ovulation test device;

FIG. 20 is a first end view of a third embodiment of an ovulation test device; and,

FIG. 21 is a second end view of a third embodiment of an ovulation test device.

The broken lines depict portions of the ovulation test device that form no part of the claimed design.

1 Claim, 21 Drawing Sheets
(7 of 21 Drawing Sheet(s) Filed in Color)

(58) **Field of Classification Search**
CPC . G01N 33/76; G01N 33/558; G01N 33/54386
See application file for complete search history.

(56) **References Cited**

U.S. PATENT DOCUMENTS

D571,019	S	*	6/2008	Laverack	D24/225
D571,020	S	*	6/2008	Laverack	D24/225
D574,966	S	*	8/2008	Laverack	D24/225
D575,876	S	*	8/2008	Laverack	D24/225
D575,877	S	*	8/2008	Laverack	D24/225
D592,759	S	*	5/2009	Laverack	D24/225
D672,880	S	*	12/2012	Laverack	D24/223
D676,144	S	*	2/2013	Laverack	D24/223
D676,569	S	*	2/2013	Laverack	D24/223
D698,457	S	*	1/2014	Canova	D24/223
D698,937	S	*	2/2014	Laverack	D24/223
D735,351	S	*	7/2015	Laverack	D24/223
D837,975	S	*	1/2019	Protasiewicz	D24/113
2012/0083047	A1	*	4/2012	Nazareth	G01N 33/54386 436/501

* cited by examiner

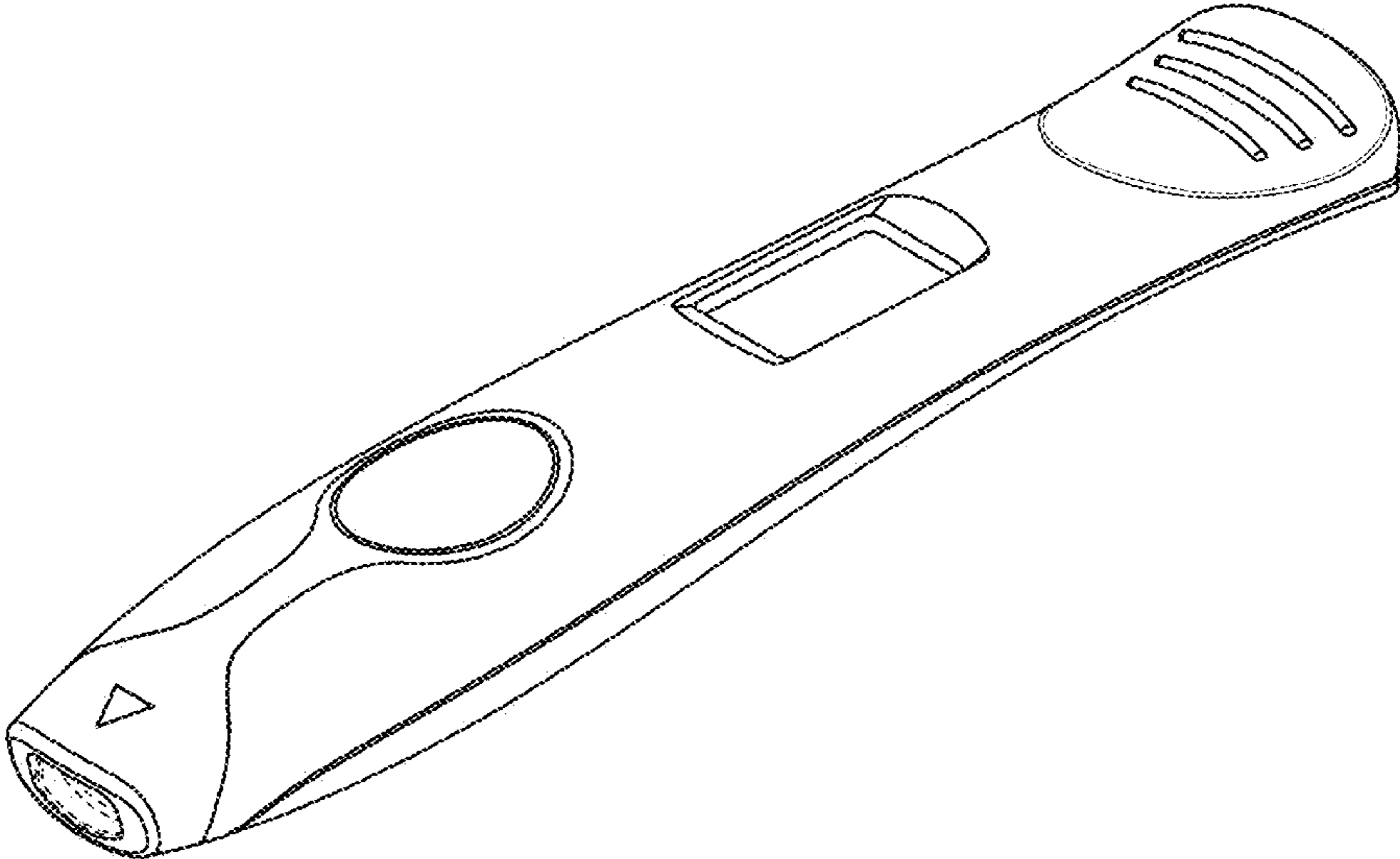


Fig. 1

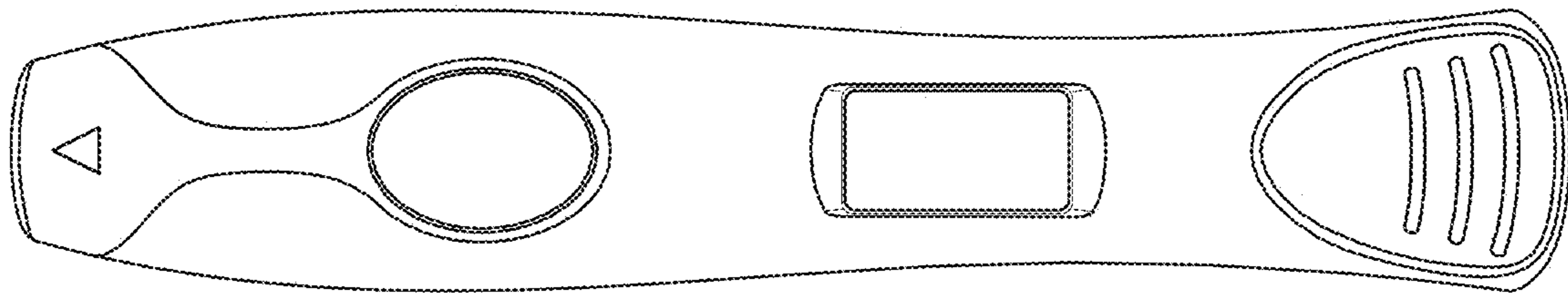


Fig. 2



Fig. 3



Fig. 4

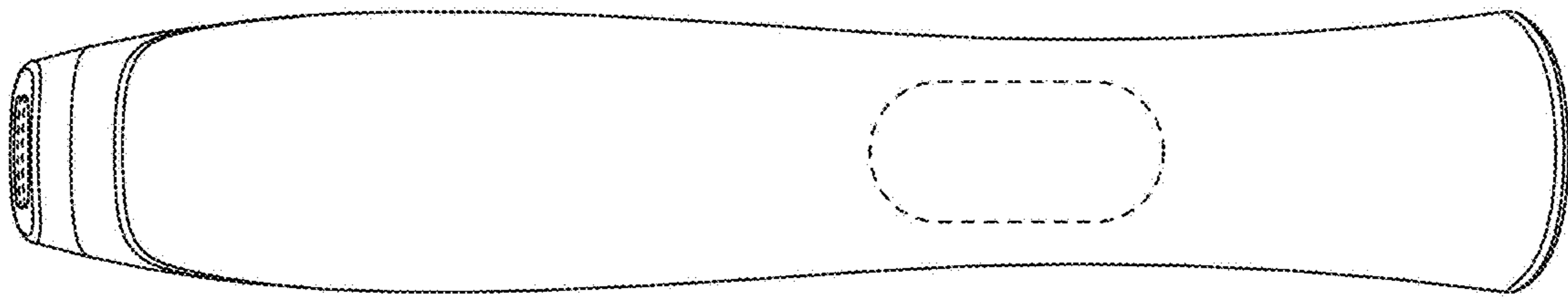


Fig. 5

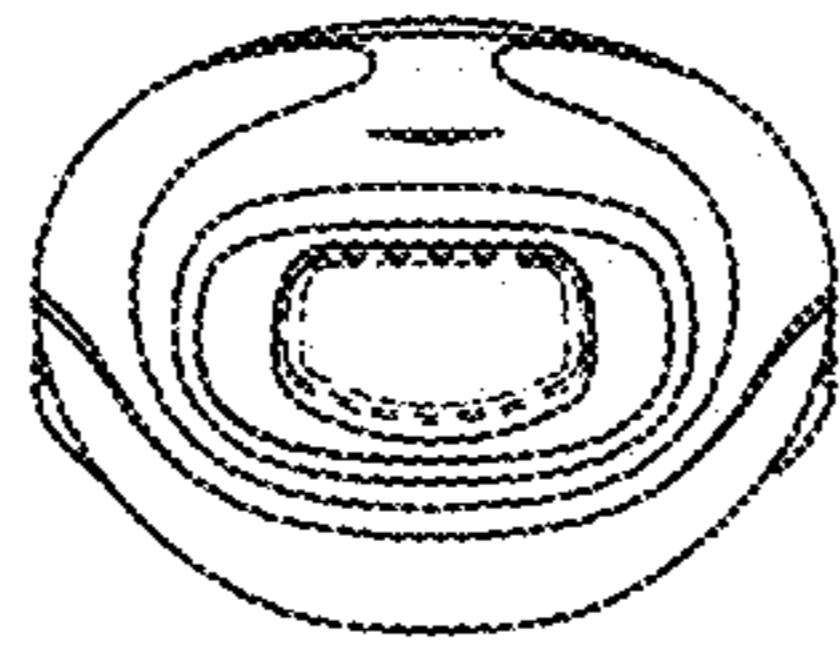


Fig. 6

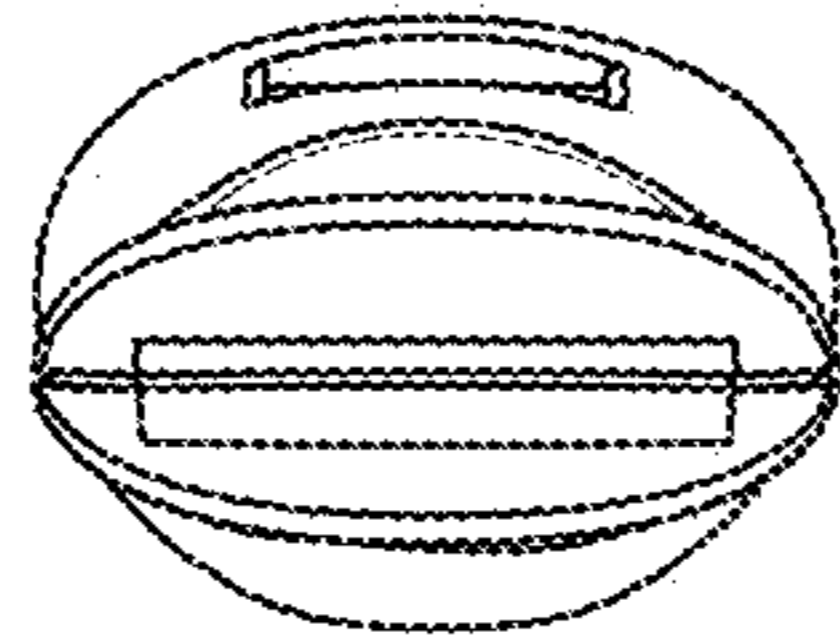


Fig. 7

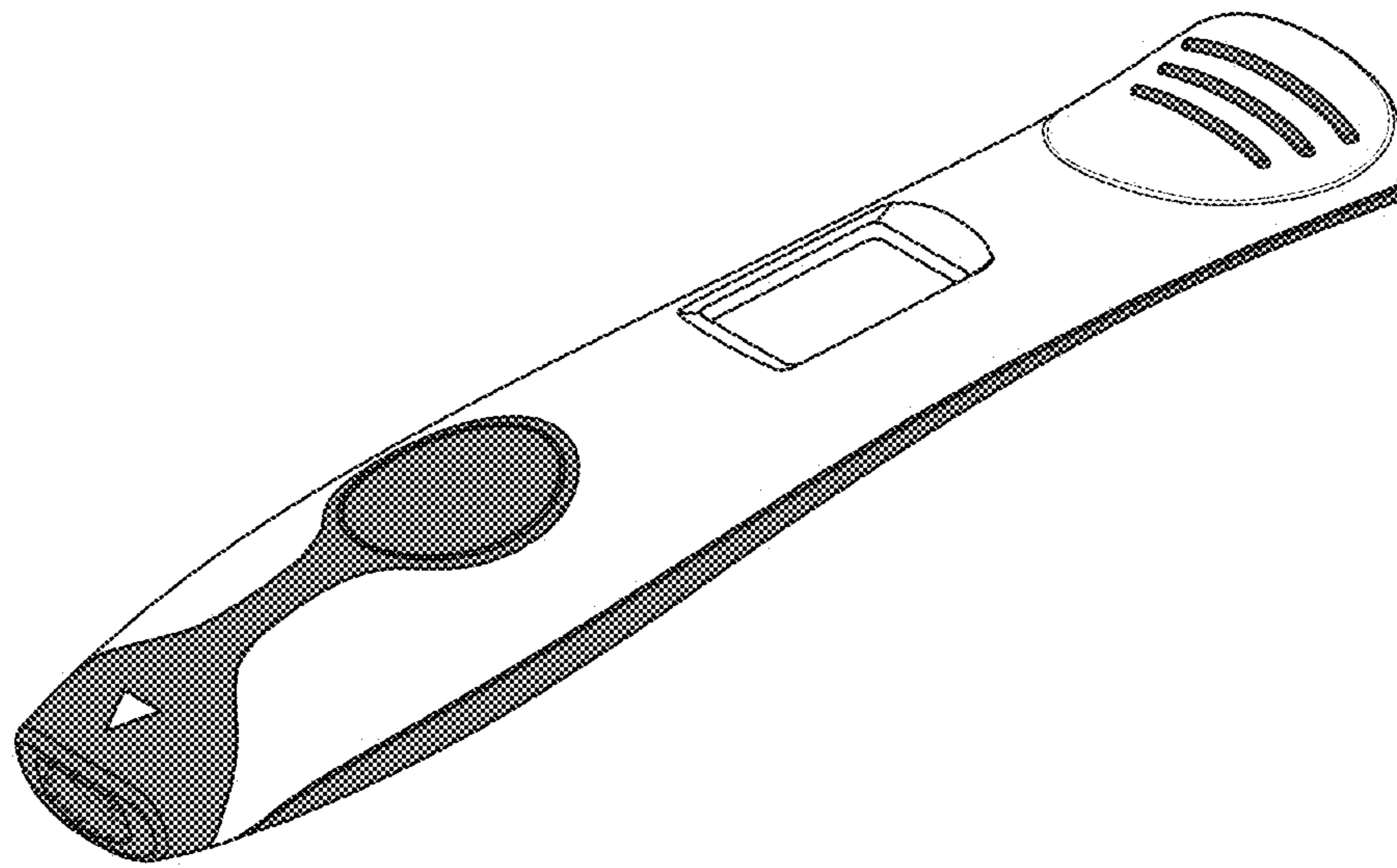


Fig. 8

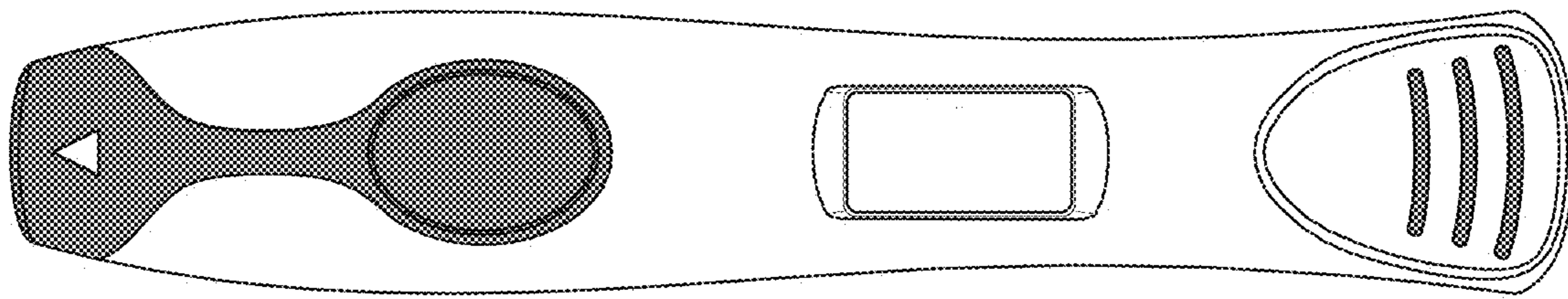


Fig. 9

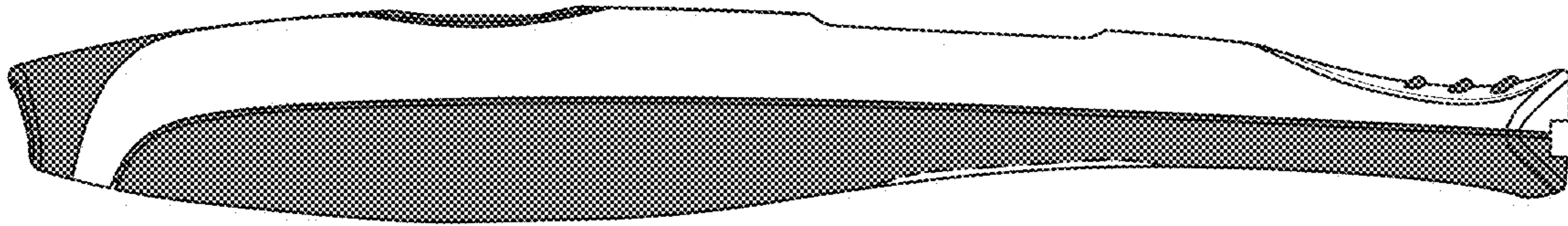


Fig. 10

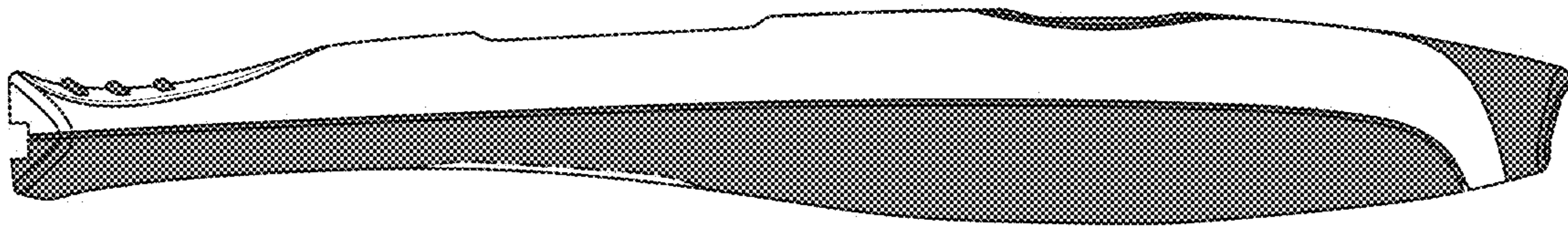


Fig. 11

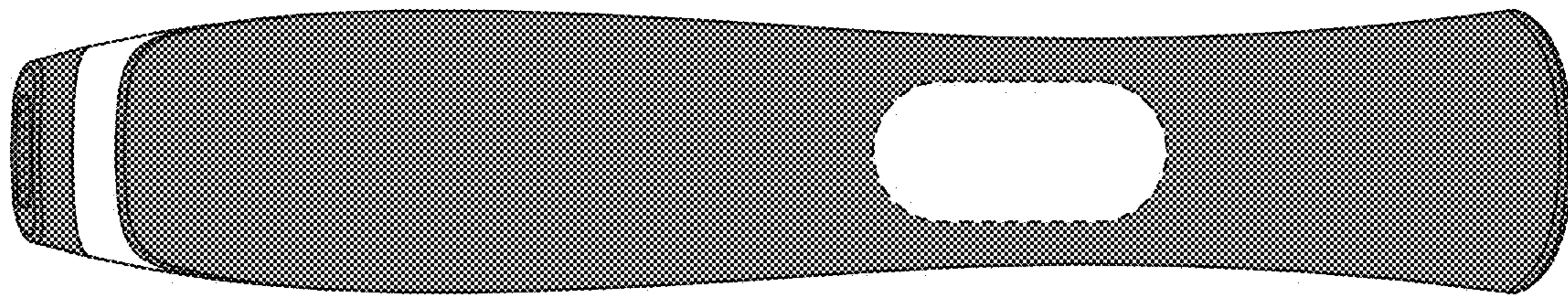


Fig. 12

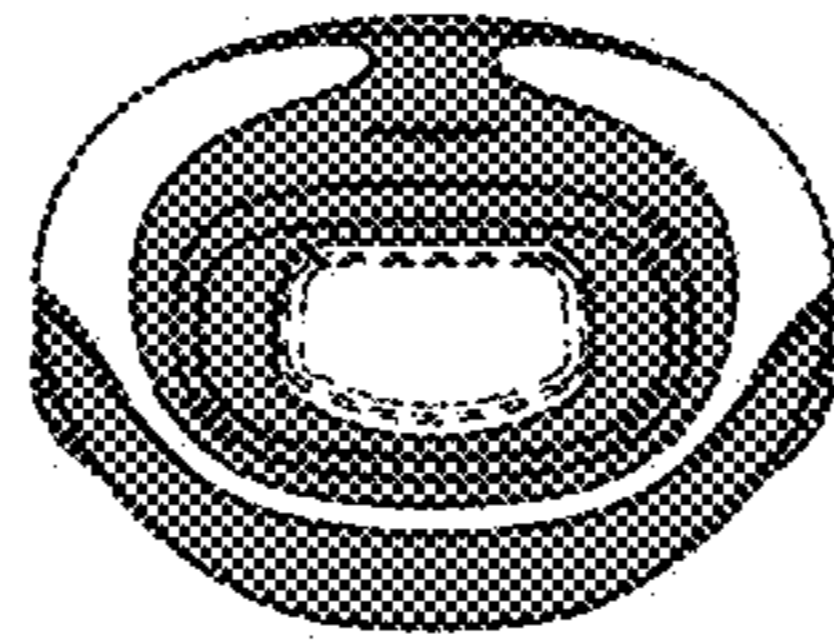


Fig. 13

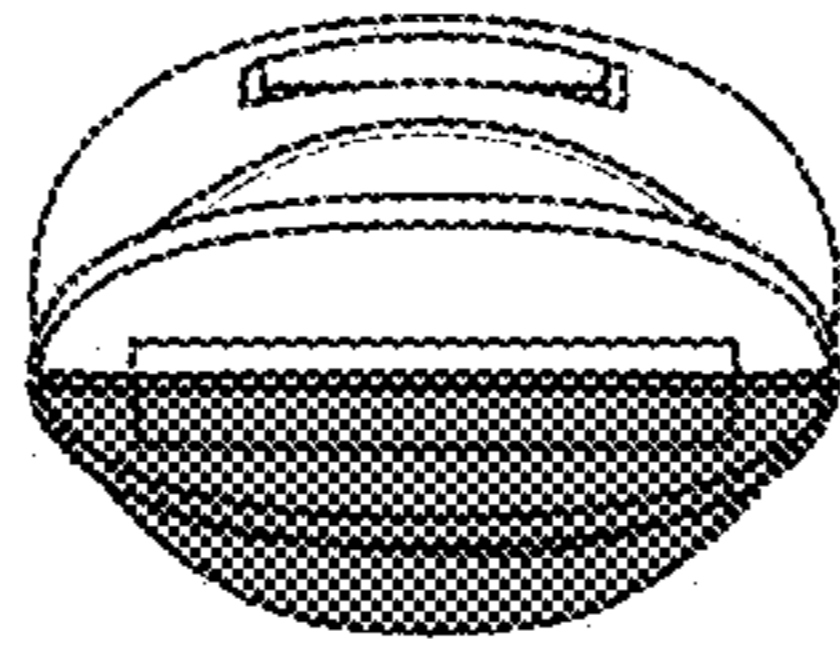


Fig. 14

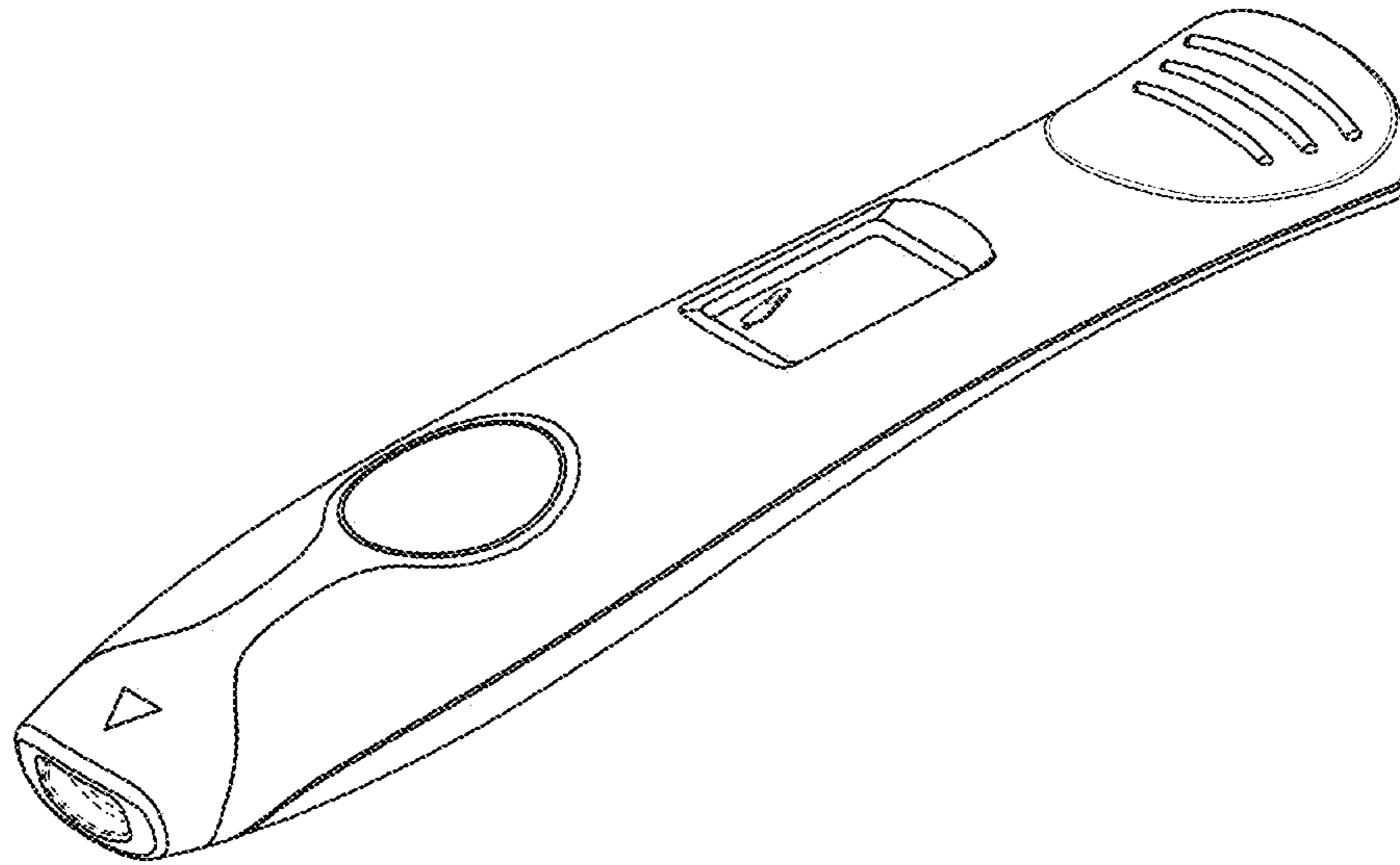


Fig. 15

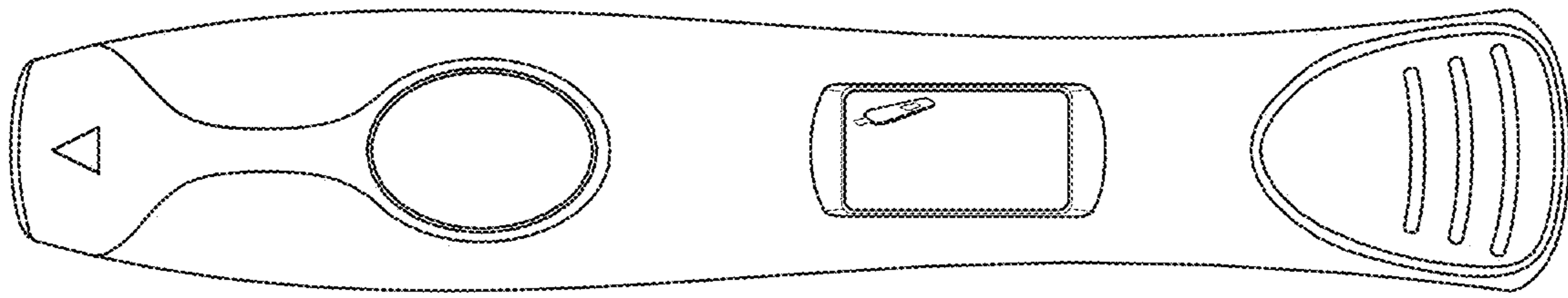


Fig. 16



Fig. 17



Fig. 18

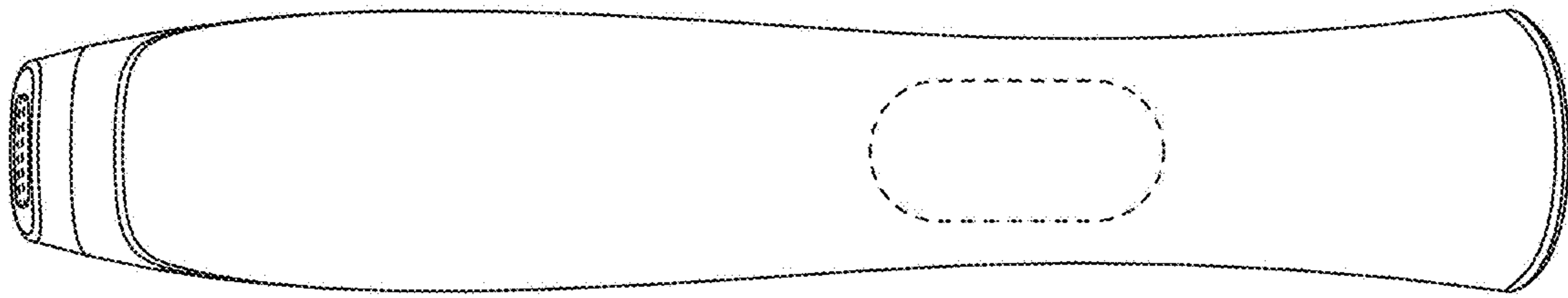


Fig. 19

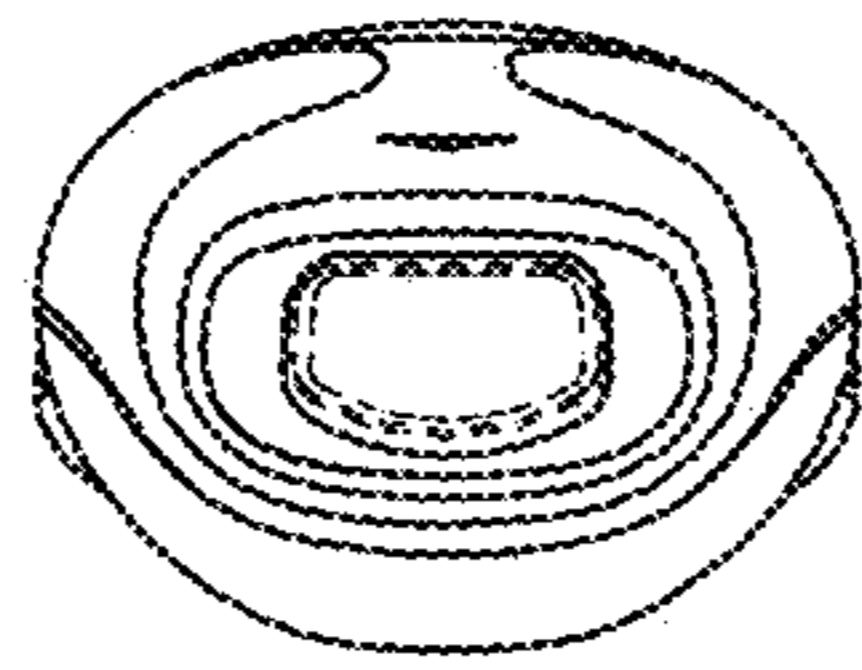


Fig. 20

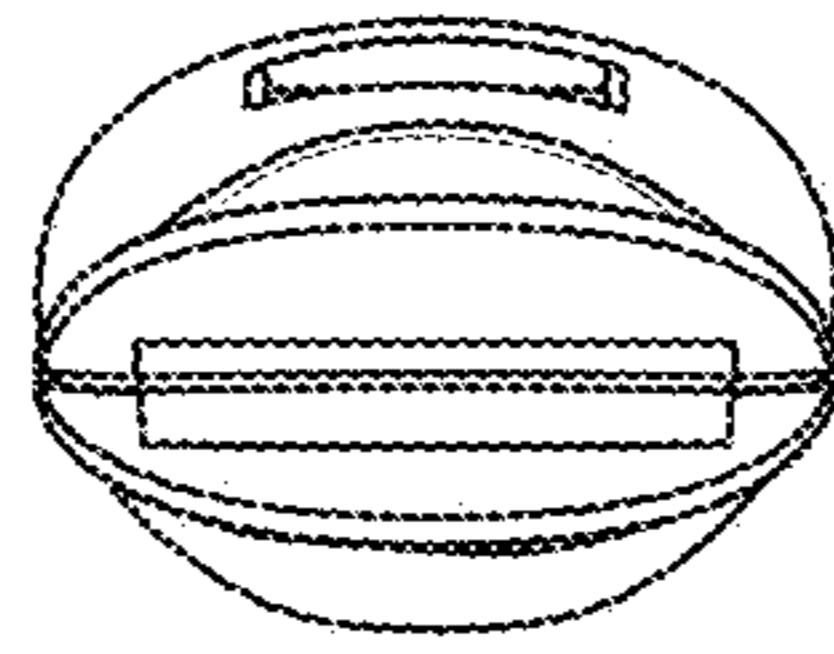


Fig. 21