



US00D875963S

(12) **United States Design Patent** (10) **Patent No.:** **US D875,963 S**
Gruen (45) **Date of Patent:** **** Feb. 18, 2020**

(54) **DIAGNOSTIC INSTRUMENT FOR MEDICAL OR LABORATORY PURPOSES**

(71) Applicant: **EUROIMMUN Medizinische Labordiagnostika AG**, Luebeck (DE)

(72) Inventor: **Torsten Gruen**, Hamburg (DE)

(73) Assignee: **EUROIMMUN Medizinische Labordiagnostika AG**, Luebeck (DE)

(**) Term: **15 Years**

(21) Appl. No.: **29/646,530**

(22) Filed: **May 4, 2018**

(30) **Foreign Application Priority Data**

Nov. 8, 2017 (DE) 40 2017 001 345

(51) **LOC (12) Cl.** **24-01**

(52) **U.S. Cl.**
USPC **D24/216**

(58) **Field of Classification Search**
USPC D24/216, 219, 223, 224, 227, 229, 230, 231, 232, 233, 234, 107, 186, 217, 220, 225, 226; D10/81, 97
CPC G01N 2035/00306; G01N 2035/00326; G01N 2035/00336; G01N 33/53; G01N 33/5302; G01N 33/569; B01L 7/52
See application file for complete search history.

(56) **References Cited**

U.S. PATENT DOCUMENTS

D521,643 S * 5/2006 Moody D24/169
D688,804 S * 8/2013 Kim D24/216
D718,473 S * 11/2014 Benarieh D24/232
D731,673 S * 6/2015 Klein D24/232
D735,883 S * 8/2015 Bauer D24/231

D759,519 S * 6/2016 Apotheloz D10/81
D761,142 S * 7/2016 Golta D10/81
D810,314 S * 2/2018 Hoelbl D24/232
D817,509 S * 5/2018 McMullin D24/216
D822,844 S * 7/2018 Smith D24/216
D848,020 S * 5/2019 Kobeli D24/216
2011/0042213 A1 * 2/2011 Updyke G01N 27/44778
204/461
2019/0154678 A1 * 5/2019 Pamula G01N 33/53

OTHER PUBLICATIONS

Euroimmun product catalogue, pp. 38-39, Indirect immunofluorescence, Mergite!, posted at euroimmun.com, no posting date, online, URL: <https://www.euroimmun.com/fileadmin/euroimmun/flippingbook/productcatalogue/38/> (Year: 2019).*

* cited by examiner

Primary Examiner — Barbara Fox

Assistant Examiner — Mary Shannon Malley

(74) *Attorney, Agent, or Firm* — Seed Intellectual Property Law Group LLP

(57) **CLAIM**

The ornamental design for a diagnostic instrument for medical or laboratory purposes, as shown and described.

DESCRIPTION

FIG. 1 is a top, front right perspective view of a diagnostic instrument for medical or laboratory purposes showing my new design.

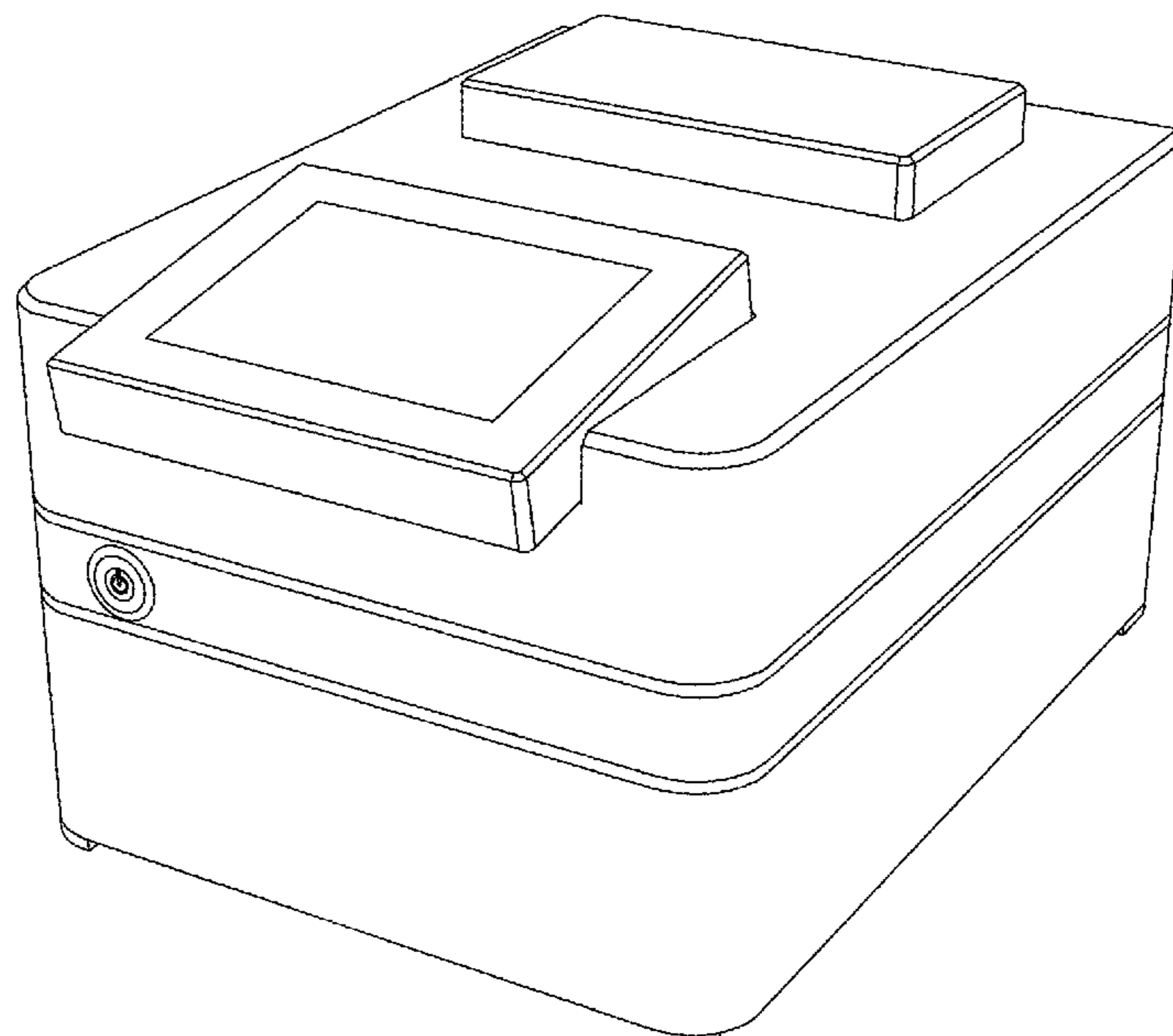
FIG. 2 is a right side elevation view thereof, with the left side elevation view being a mirror image of the right side elevation view.

FIG. 3 is a front elevation view thereof.

FIG. 4 is a top, front left perspective view thereof; and,

FIG. 5 is a top front perspective view thereof.

1 Claim, 5 Drawing Sheets



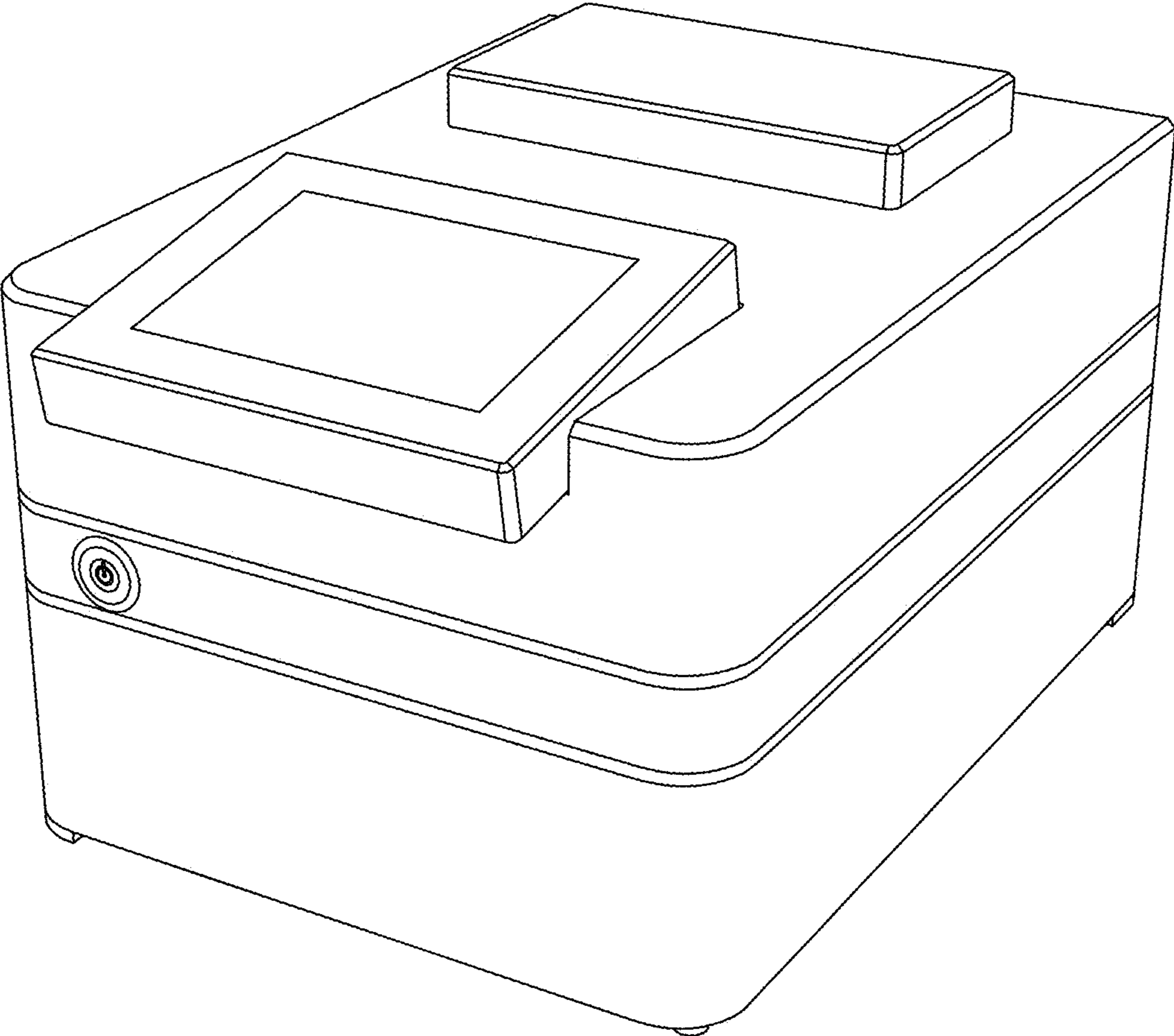


Fig. 1

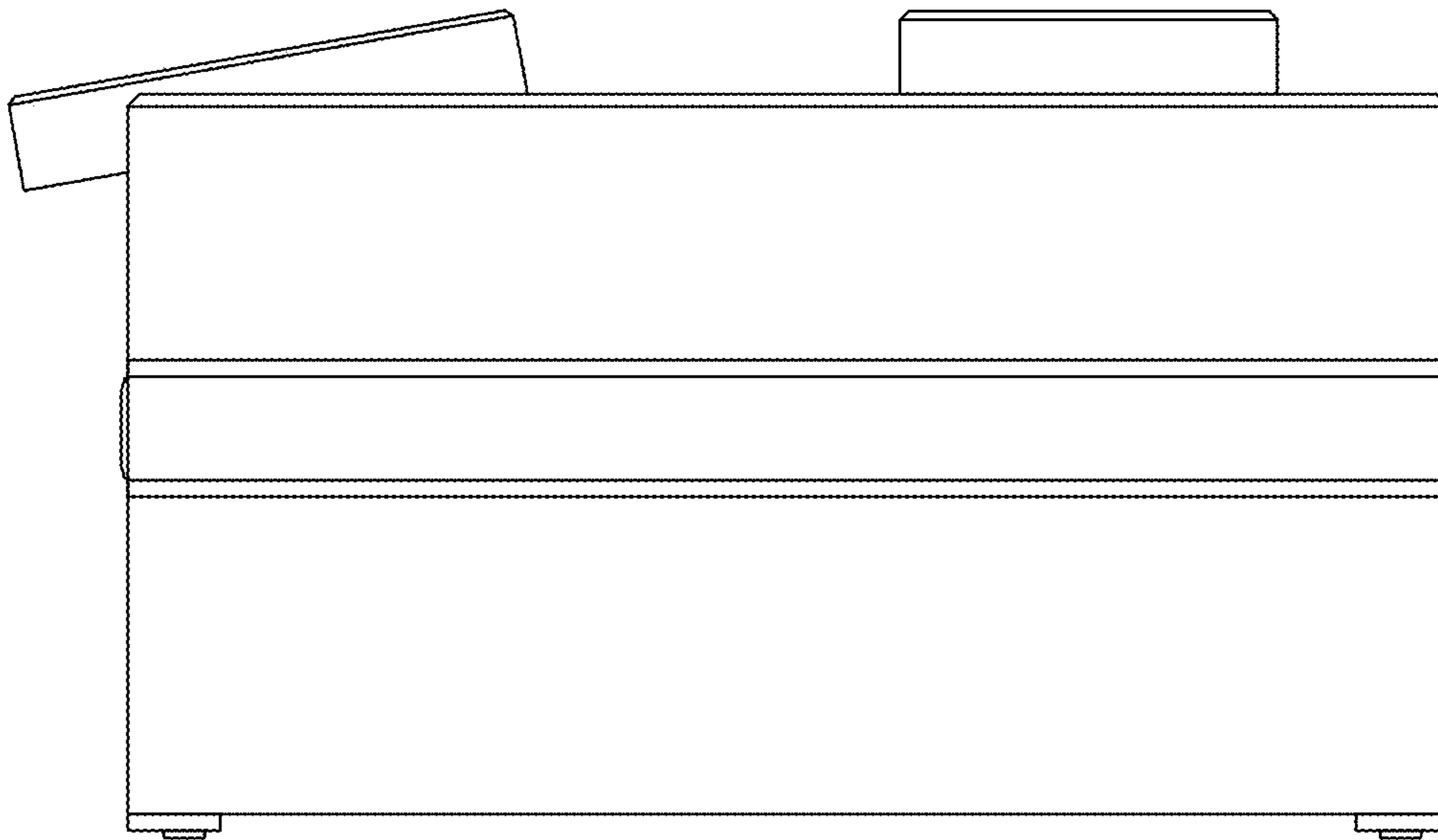


Fig. 2

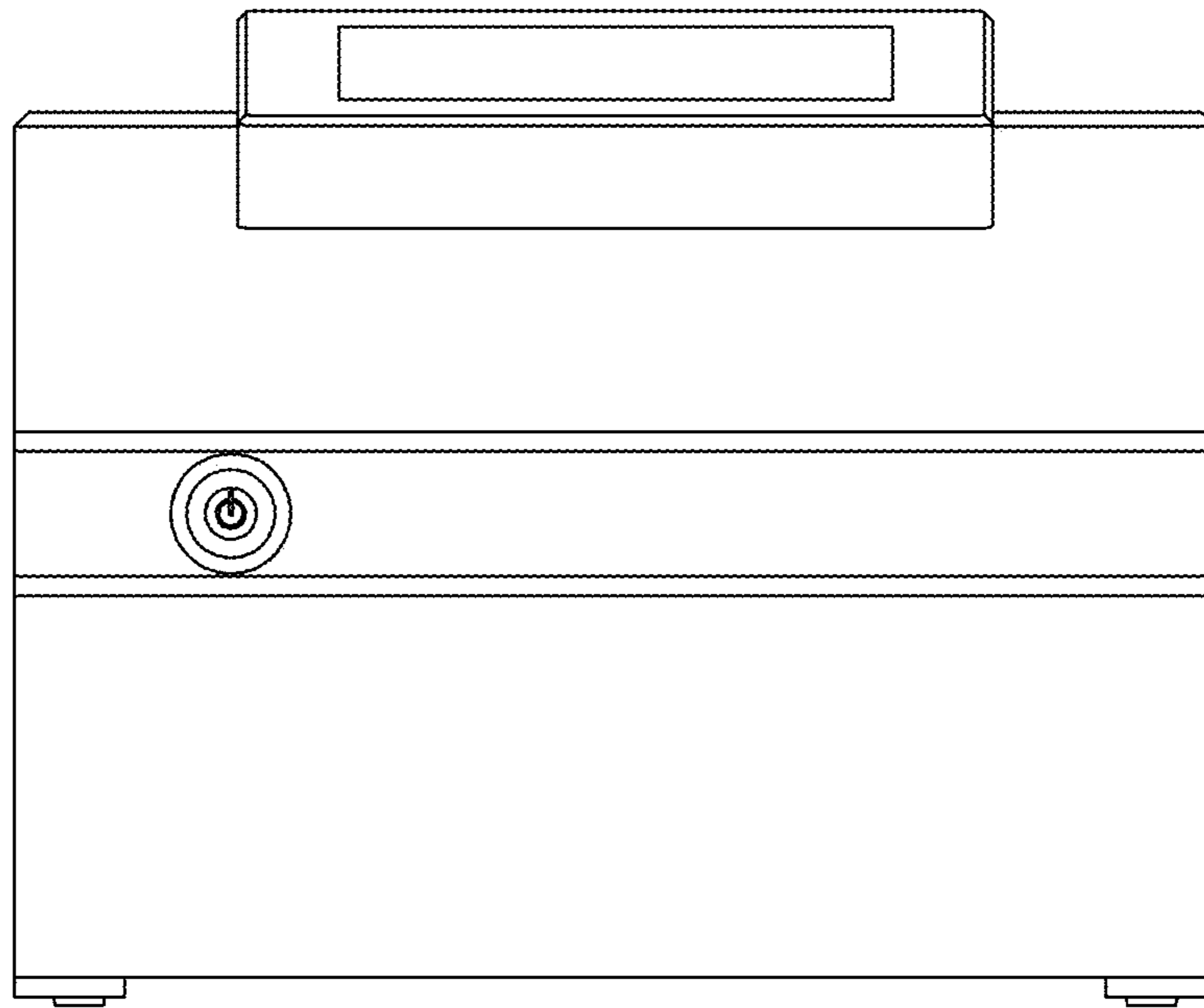


Fig. 3

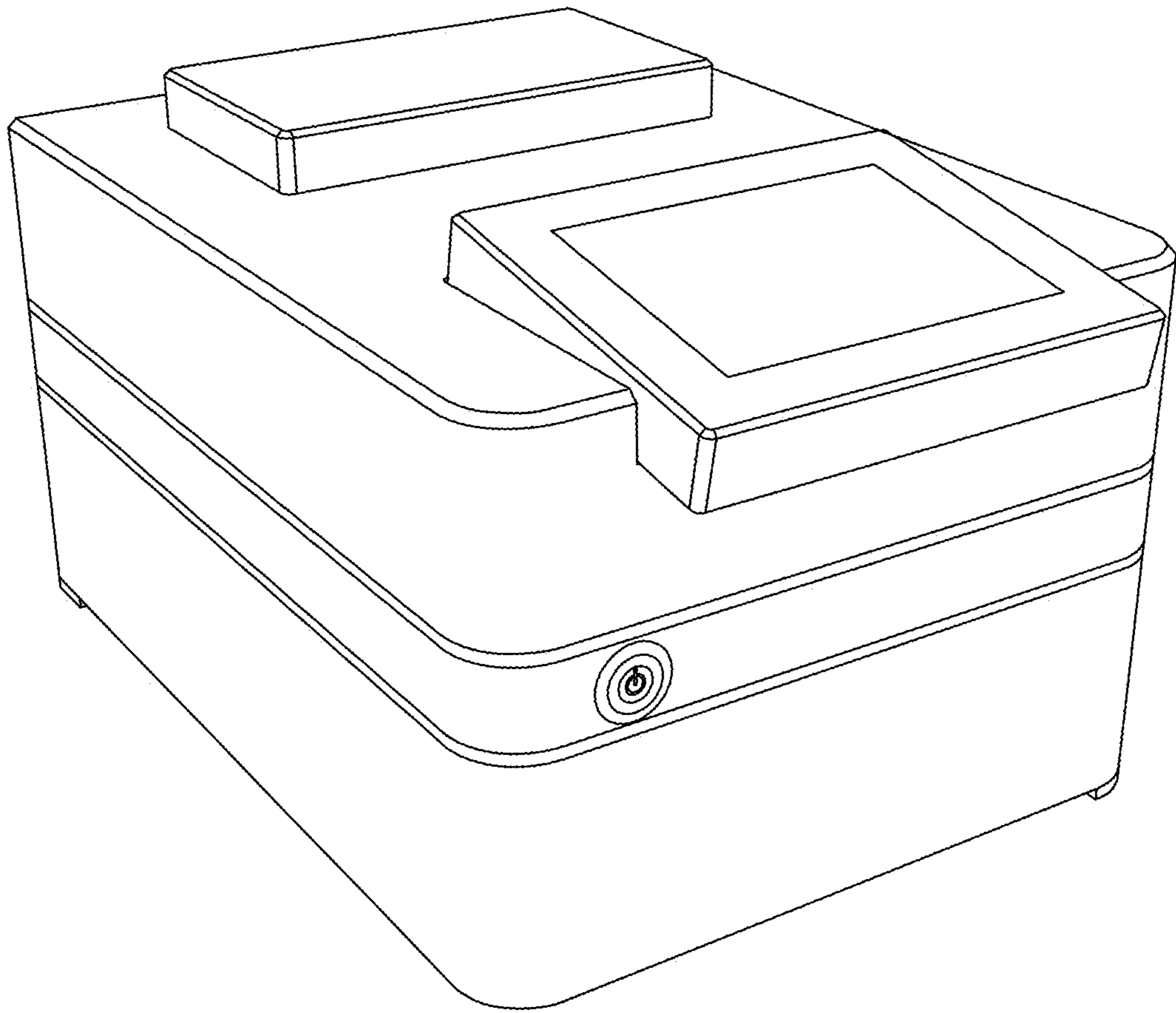


Fig. 4

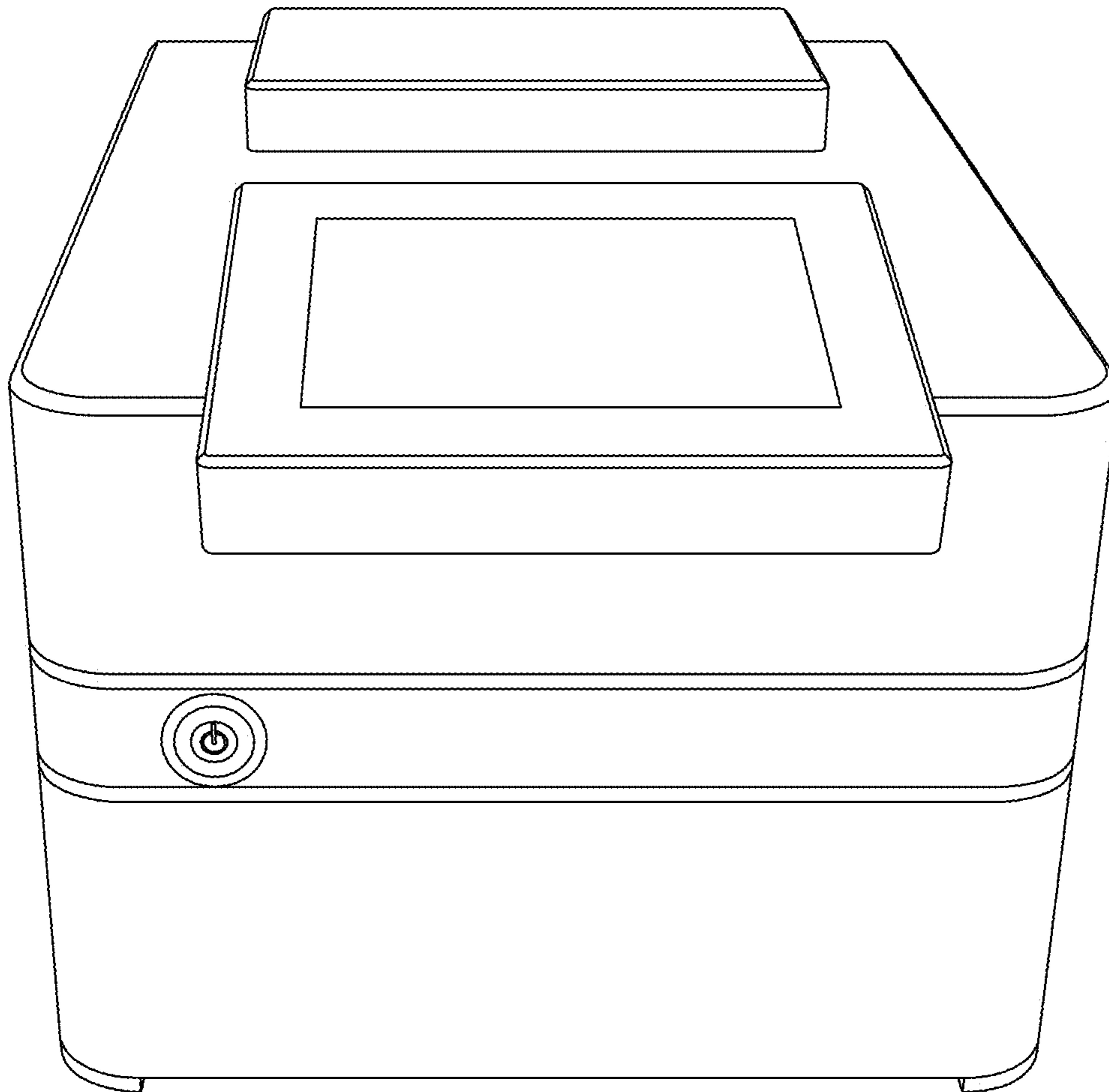


Fig. 5